

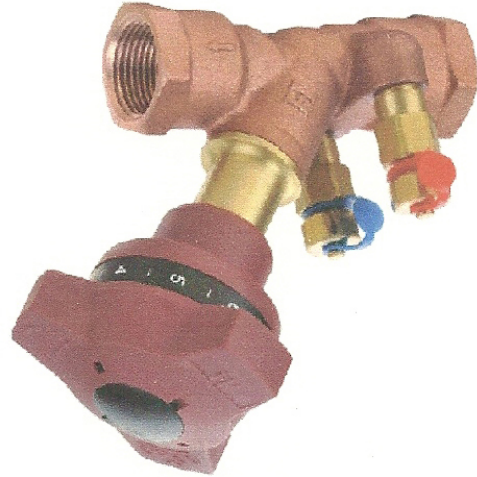


## 951 FIXED ORIFICE DOUBLE REGULATING VALVE (FODRV)

- ◆ Pressure Rating: PN25
- ◆ Working Medium: Water
- ◆ Working Temperature:  $t \leq 120\text{ C} / 248\text{ F}$
- ◆ Taper Pipe Thread To ISO7
- ◆ Comply with BS7350

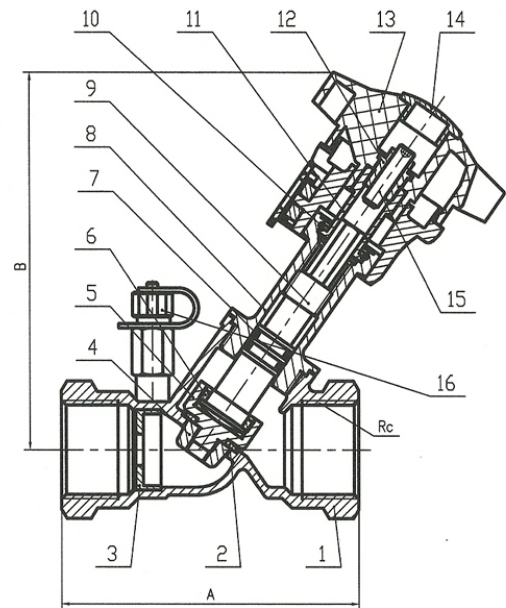
### Specification

The Fixed Orifice Double Regulating Valve offers an accuracy of  $\pm 5\%$  on all settings, for precise flow regulation. They are Y-pattern globe valves with characterised throttling disc tending towards equal percent- age performance. Fixed Orifice Double regulating feature allows valve opening to be set with an Allen key. Operation of the valve is by means of the Microset hand wheel.



### Application

In multiple unit systems, the 951 has sufficient authority to give effective regulation over the range of flows covered by matching flow measurement devices/valves.



### Bill of Materials

Sequence	Description	Material	Sizes	
			in.	mm.
1	Body	Bronze CO491K	All	
2	Disc Face	P.T.F.E	1" - 2"	25mm - 50mm
2	Disc Face	DZR BRASS CW602N	1/2" - 3/4"	15mm - 20mm
3	Orifice Plate	DZR BRASS CW602N	All	
4	Nut	DZR BRASS CW602N	All	
5	Disc	DZR BRASS CW602N	All	
6	Disc Retaining Ring	DZR BRASS CW602N	All	
7	O Ring	N.B.R	All	
8	Bonnet	DZR BRASS CW602N	1/2" - 1 1/4"	15mm - 32mm
8	Bonnet	Bronze CO491K	1 1/2" - 2"	40mm - 50mm
9	Stem	DZR BRASS CW602N	All	
10	Retainer Ring	Stainless Steel 304	All	
11	Sleeve	Brass CW617N	All	
12	Screw	Brass CW614N	All	
13	Handwheel	PA	All	
14	Cap	PA	All	
15	Screw	Stainless Steel 304	All	
16	Test Points	DZR BRASS CW602N	All	

### Dimensions & Coefficients

DN	In.	mm.	A		B		Flow (kv)	kvs
			in.	mm.	in.	mm.		
15	1/2	15	3 7/16	87	4 1/8	105	1,72	2,20
20	3/4	20	3 3/4	96	4 3/16	106	2,97	4,60
25	1	25	4	100	5	127	4,75	8,50
32	1 1/4	32	4 1/2	114	5	128	10,25	16,70
40	1 1/2	40	5	125	5 5/8	143	16,83	26,10
50	2	50	5 3/4	146	5 11/16	144	27,26	43,20

