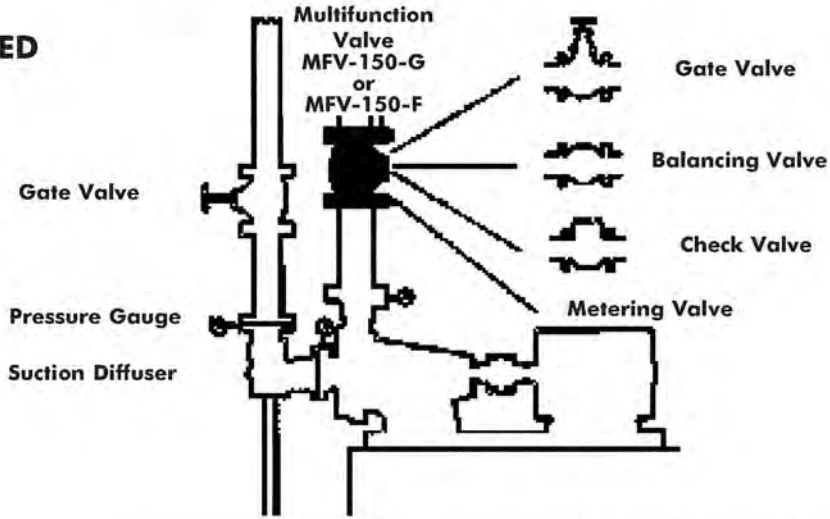




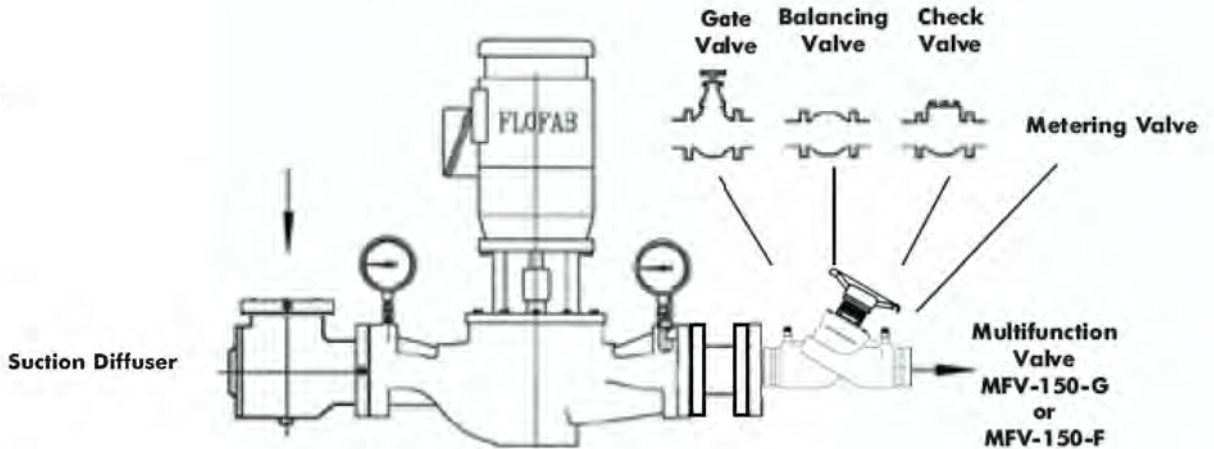
## Typical Piping Details Series MFV-F & MFV-G

SUBMITTAL DATA SHEET  
ISSUE DATE: MAY 2008  
REVISION DATE: MAY 2008

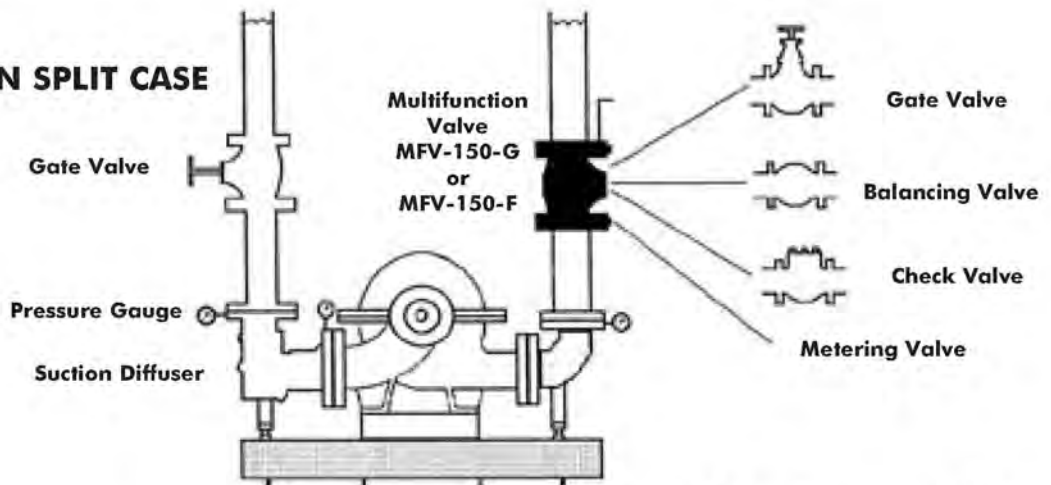
### FRAME MOUNTED



### IN-LINE



### DOUBLE SUCTION SPLIT CASE



### RECOMMENDED PIPING LENGTH FOR INSTALLATION

