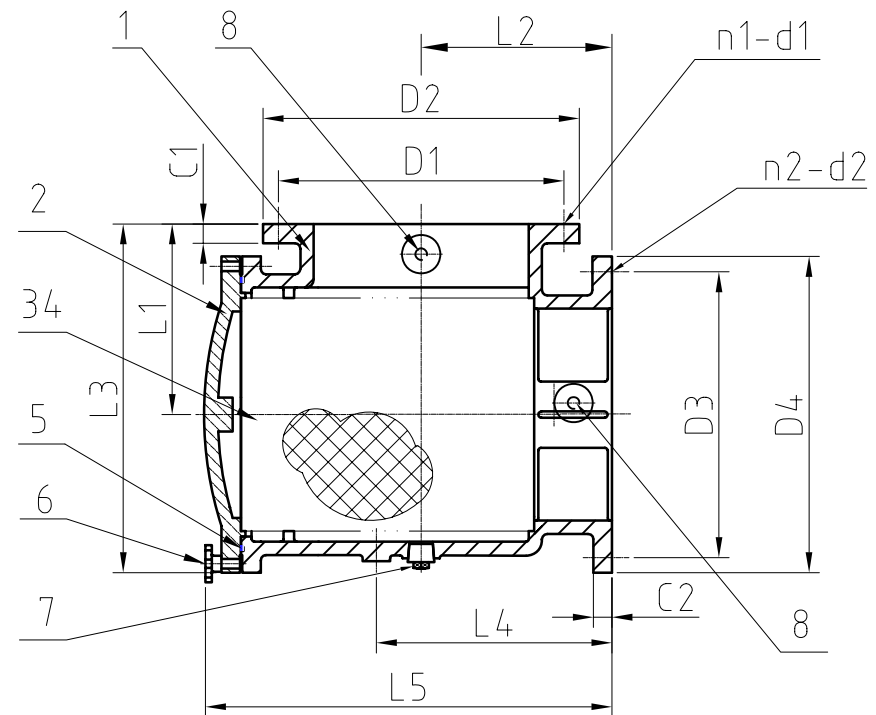


24x24	749.3	812.8	20-35	749.3	812.8	20-35	47.8	39.6	470	480	864	570	974	1 1/2" NPT
24x20	749.3	812.8	20-35	635	698.5	20-32	47.8	42.9	470	480	864	570	974	1 1/2" NPT
24x18	749.3	812.8	20-35	578	635	16-32	47.8	47.8	470	480	864	570	974	1 1/2" NPT
20x20	635	699	20-32	635	699	20-32	42.9	42.9	406	428	730	517	849	1 1/4" NPT
20x18	635	699	20-32	578	635	16-32	42.9	39.6	406	428	730	517	849	1 1/4" NPT
20x16	635	699	20-32	539.5	597	16-29	42.9	36.6	406	428	730	517	849	1 1/4" NPT
18x18	578	635	16-32	578	635	16-32	39.6	39.6	370	389	669	478	785	1 1/4" NPT
18x16	578	635	16-32	539.5	597	16-29	39.6	36.6	370	389	669	478	785	1 1/4" NPT
18x14	578	635	16-32	476	533	12-29	39.6	35.1	370	389	669	478	785	1 1/4" NPT
16x16	539.5	597	16-29	539.5	597	16-29	36.6	36.6	334	364	603	474	745	1 1/4" NPT
16x14	539.5	597	16-29	476	533	12-29	36.6	35.1	334	364	603	474	745	1 1/4" NPT
16x12	539.5	597	16-29	432	483	12-25.4	36.6	31.8	334	364	603	474	745	1 1/4" NPT
14x14	476	533	12-29	476	533	12-29	35.1	35.1	318	328	566	440	678	1 1/4" NPT
14x12	476	533	12-29	432	483	12-25.4	35.1	31.8	318	328	566	440	678	1 1/4" NPT
14x10	476	533	12-29	362	406	12-25.4	35.1	30.2	318	328	566	440	678	1 1/4" NPT
12x12	432	483	12-25.4	432	483	12-25.4	31.8	31.8	304.8	304.8	553	390	678	1 1/4" NPT
12x10	432	483	12-25.4	362	406	12-25.4	31.8	30.2	304.8	279.4	553	360	678	1 1/4" NPT
12x8	432	483	12-25.4	298.5	343	8-22	31.8	28.5	280	280	488	346	551	1 1/4" NPT
10x10	362	406	12-25.4	362	406	12-25.4	30.2	30.2	279.4	279.4	527	360	678	1 1/4" NPT
10x8	362	406	12-25.4	298.5	343	8-22	30.2	28.5	279.4	228.6	488	295	539	1 1/4" NPT
8x8	298.5	343	8-22	298.5	343	8-22	28.5	28.5	228.6	228.6	438	295	542	1 1/4" NPT
8x6	298.5	343	8-22	241.5	279	8-22	28.5	25.4	228.6	203.2	393	297	455	1" NPT
8x5	298.5	343	8-22	216	254	8-22	28.5	23.9	192	228.6	333	329	487	1" NPT
6x6	241.5	279	8-22	241.5	279	8-22	25.4	25.4	203	203	367	272	423	1" NPT
6x5	241.5	279	8-22	216	254	8-22	25.4	23.9	203	203	367	272	423	1" NPT
6x4	241.5	279	8-22	190.5	229	8-19	25.4	23.9	203	165	329	223	345	1" NPT
5x5	216	254	8-22	216	254	8-22	23.9	23.9	190.5	190.5	332	254	394	1" NPT
5x4	216	254	8-22	191	229	8-19	23.9	23.9	190.5	190.5	332	254	394	1" NPT
4x4	190.5	229	8-19	190.5	229	8-19	23.9	23.9	165	165	260	210	328	1" NPT
4x3	190.5	229	8-19	152.5	191	4-19	23.9	19.1	165	165	263	223	334	1" NPT
3x3	152.5	191	4-19	152.5	191	4-19	19.1	19.1	139.7	139.7	216	179	284	3/4" NPT
3x2.5	152.5	191	4-19	140	178	4-19	19.1	17.5	139.7	139.7	216	179	284	3/4" NPT
3x2	152.5	191	4-19	120.5	152	4-19	19.1	15.8	139.7	114.3	195	153.6	252	3/4" NPT
2.5x2.5	140	178	4-19	140	178	4-19	17.5	17.5	127	127	191	167	270	3/4" NPT
2.5x2	140	178	4-19	120.5	152	4-19	17.5	15.8	127	127	191	167	270	3/4" NPT
2x2	120.5	152	4-19	120.5	152	4-19	15.8	15.8	114.3	114.3	169	151	253	3/4" NPT
2x1.5	120.5	152	4-19	98	127	4-16	15.8	14.2	114.3	114.3	169	151	253	3/4" NPT

SIZE	ØD1	ØD2	n1-Ød1	ØD3	ØD4	n2-Ød2	C1	C2	L1	L2	L3	L4	L5	NPT
	Dimension					Dimension								



Working pressure	CLASS125
Working Temp.	EPDM -35° C~+135° C
Medium	W. O. G
Shell test	2.5 MPa
flanged to	ASME/ANSI B16.1

NO.	Parts	Material	Q'TY	Note
1	Body	CI	1	
2	Cober	CI	1	
3	Screen	SS304	1	
4	Wire Woven	SS304	1	20mesh
5	Gasket	EPDM	1	
6	Knob/Bolt	WCB	N	
7	Plug	WCB	1	
8	Test plug	WCB	4	1/4" NPT

	CLASS125 SUCTION DIFFUSER	FV29
	Drawings	