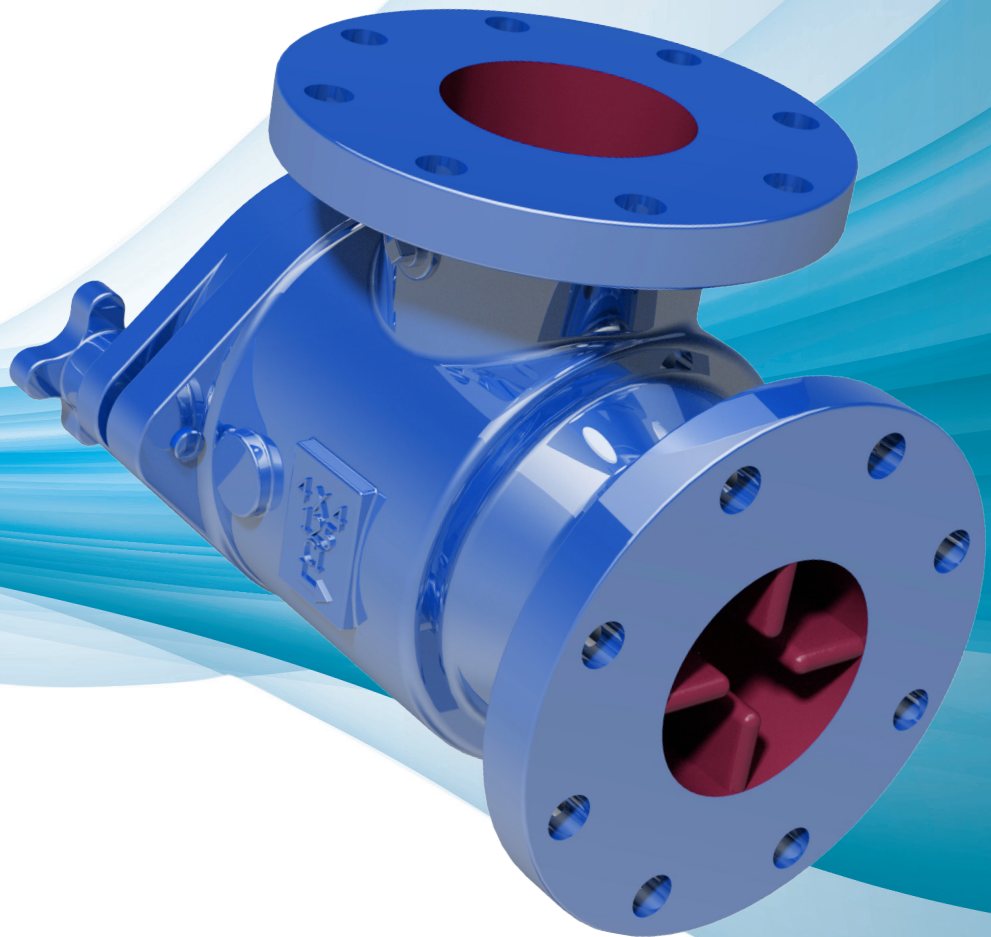


Suction Diffuser

ASDFF



www.flofab.com

001-cat-2016-asdff

Go to www.flofab.com in Our Products Section to see the Master Spec - <http://www.arcomnet.com/masterspec/>

TABLE OF CONTENTS

FEATURES.....	2
MESURES GRID - CAST IRON CONSTRUCTION.....	3
MESURES GRID - STEEL FABRICATED.....	4-5
TYPICAL INSTALLATION.....	6
PRESSURE DROP VS FLOW RATE.....	7-8

HISTORY

Flo Fab was established in 1981 by Denis Gauvreau who created and developed the products line and constantly being perfected by Marc Gauvreau, as well as by a team of professional engineers and designers. It's a combination of existing designs from several renowned products and the innovative ideas of a new generation professionals.

Through the years, Flo Fab has acquired several companies and service entities including : AQUA-PROFAB (ASME Tanks manufacturer), MÉNARD, LÉONARD ÉLECTRIQUE, PMA. , Furthermore Flo Fab purchased equipment, fabrication designs and patterns from IDEALCO, a manufacturer of shell and tube type heat exchangers.

The after sales services, sales, engineering, R&D, production, quality control, accounting and administration departments of all the above companies share the same location.

In December 2014, Marc Gauvreau, son of the founder, acquired all shares of The company. Flo Fab and is constantly investing in new state of the art innovations new product like the XRI series and Prefab Skid for Hydronic Heating & cooling system, pumping systems. This has allowed Flo Fab to retain competent and experienced staff of professionals with varied and specialized abilities that constantly work on improving our existing products and add new engineered solutions that exceeding customer's expectations .

Flo Fab has grown quite rapidly and now proudly offers of a wide range of products available directly from one manufacturer. This includes pumps & pump packages, tanks, heat exchangers & hydronic accessories. This allows each project stakeholders to enjoy economical savings, peace of mind, best value for their investment and optimized total cost of ownership.





• Suction Diffusers Series ASDFF «Cast Iron Construction»

• Features

The FLO FAB suction diffusers are designed to reduce space and installation cost by replacing a long radius elbow, Y strainer and extended entry pipe on the suction side of the pump. The flow stabilizing vane reduces turbulence and prevents stress and vibration.

In addition, the suction diffuser strainer removes foreign particles which may be hazardous for the pump and other system equipment. FLO FAB suction diffusers are available in a variety of materials recommendation based on the flow media.

- Directly mounted in horizontal position.
- Flanges are class 175 ANSI (ASA) flat faced (Class 250 also available)
- Integrally cast stabilizing vanes.
- Separate fine mesh start-up screen surround the perforated screen
- Cast on pads for convenient mounting of standard I.D. support foot.
- Pressure taps available on all sizes

Sizes: From 2" to 20" (50 mm to 500 mm)

Body: Cast iron /Fabricated Steel Also Available

Connections: Flange x Flange

Flange Ratings:

Class 150

175 PSI (120658 kPa) at 250°F (121 .1°C)

Class 250:

400 PSI (2757.90 kPa) at 150°F (65.56°C)

Pressure: Class125

Working Pressure: 200 PSI

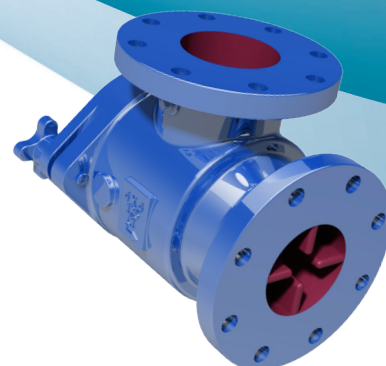
Working Temp: NBR -12°C~+82°C
-53.6°F~+179.6°F

EPDM -35°C~+135°C
-95°F~+275°F

Medium: W. O. G.

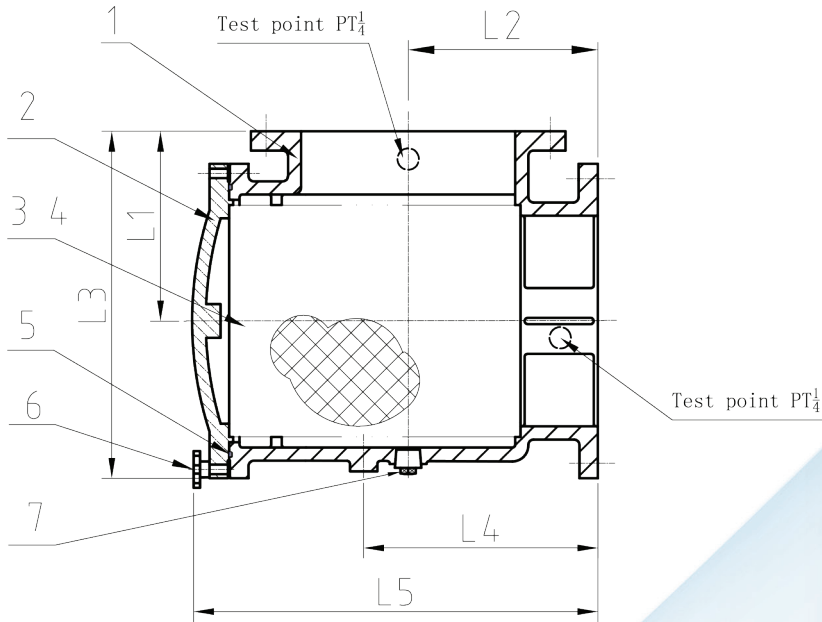
Shell Test: 2.07 Mpa

Flange: ASME/ANSI, B16.1, C125





Suction Diffusers Series ASDFF
«Cast Iron Construction»



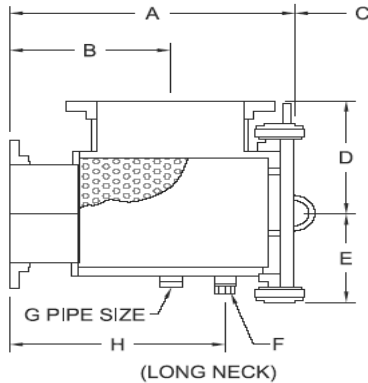
1	Body	150CI/250DI
2	Cover	150CI/250DI
3	Perforated Screen	SS304
4	Wire Woven Screen	SS304
5	O-Ring	NBR/EPDM
6	Knob, Bolt	WCB
7	Plug	WCB

√	Size	Dimensions (in/mm)										NPT
		L1 (in)	L1 (mm)	L2 (in)	L2 (mm)	L3 (in)	L3 (mm)	L4 (in)	L4 (mm)	L5 (in)	L5 (mm)	
	2x2	4.5	114.3	4.5	114.3	6.65	169	5.94	151	9.96	253	19.05mm 0.75"
	2.5x2	5	127	5	127	7.52	191	6.57	167	10.63	270	
	2.5x2.5			4.5	114.3	7.68	195	6.04	153.6	9.92	252	
	3x2	5.5	139.7	5.5	139.7	8.50	216	7.04	179	11.18	284	
	3x2.5			5.5	139.7	8.50	216	7.04	179	11.18	284	
	3x3	6.5	165	6.5	165	10.35	263	8.77	223	13.15	334	25.4mm 1"
	4x3			6.5	165	10.35	263	8.77	223	13.15	334	
	4x4	7.5	190.5	6.5	165	10.24	260	8.27	210	12.91	328	
	5x4			7.5	190.5	7.5	190.5	13.07	332	10	254	
	5x5	7.99	203	6.50	165	12.95	329	8.78	223	13.58	345	
	6x4			7.99	203	7.99	203	14.45	367	10.70	272	
	6x5	7.56	192	9	228.6	13.11	333	12.95	329	19.17	487	
	6x6			7.56	192	9	228.6	13.11	333	12.95	329	
	8x5	9	228.6	8	203.2	15.47	393	11.69	297	17.91	455	
	8x6			9	228.6	8	203.2	15.47	393	11.69	297	
	8x8	11	279.4	9	228.6	17.24	438	11.61	295	21.34	542	31.75mm 1.25"
	10x8					11	279.4			9	228.6	
	10x10	11.2	280	11	279.4	19.21	488	13.62	346	21.22	539	
	12x8			11.2	280	11	279.4			19.21	488	
	12x10	12	304.8	11	279.4	21.78	553	14.17	360	26.69	678	
	12x12			12	304.8			11	279.4			
				12	304.8			15.35	390			

NOTE: LARGER SIZE UP TO 20" AVAILABLE



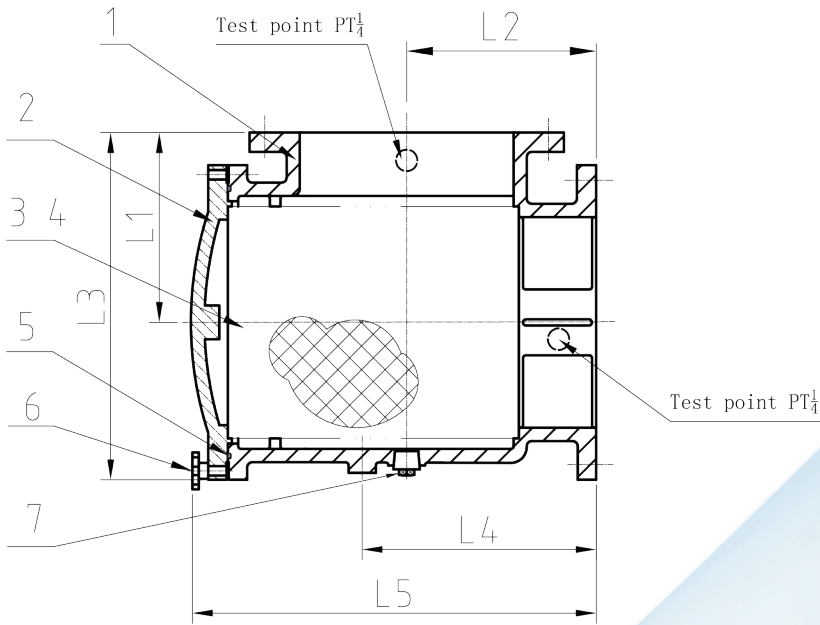
● Suction Diffusers Series ASDFF «Steel Fabricated»



1	Body	Cast Iron A126-B
2	Cover	Cast Iron A126-B
3	Strainers	Stainless Steel
4	Start-Up	20 Mesh Screen
5	Diffuser	Cast Iron A126-B
6	Gasket	BUNA-N
7	O'ring	BUNA-N
8	Purge	Steel

✓	SIZE		A in/mm	B in/mm	C in/mm (1)	D in/mm	E in/mm	F in/mm	G in/mm	H in/mm	Weight lb./kg.	Measure
	INLET	OUTLET										
	10	8	24.63	14.25	16.75	12.63	9.50	1	1	18.38	339	INCHES
	250	200	626	362	425	321	241	25	25	467	154	mm
	10	10	25.50	14.88	17.00	13.63	10.50	1	1	19.13	420	INCHES
	250	250	648	378	432	346	267	25	25	486	191	mm
	12	8	27.88	15.25	18.75	12.88	9.50	1-1/2	1-1/2	19.88	437	INCHES
	300	200	708	387	476	327	241	40	40	505	198	mm
	12	10	27.50	16.00	18.88	13.88	10.50	1-1/2	1-1/2	20.75	530	INCHES
	300	250	699	406	479	353	267	40	40	527	240	mm
	12	12	28.13	16.25	19.25	15.13	11.75	1-1/2	1-1/2	21.13	650	INCHES
	300	300	714	413	489	384	298	40	40	537	295	mm
	14	10	28.75	16.63	20.13	14.00	10.50	1-1/2	1-1/2	21.63	670	INCHES
	350	250	730	422	511	356	267	40	40	549	304	mm
	14	12	31.13	18.38	20.50	16.00	11.75	1-1/2	1-1/2	22.13	808	INCHES
	350	300	791	467	521	406	298	40	40	562	367	mm
	14	14	31.13	18.38	20.75	16.00	12.50	1-1/2	1-1/2	22.88	964	INCHES
	350	350	791	467	527	406	318	40	40	581	437	mm
	16	12	31.75	18.00	22.50	16.50	11.75	2	2	23.75	913	INCHES
	400	300	806	457	572	419	298	50	50	603	414	mm
	16	14	32.25	18.50	22.75	16.25	12.50	2	2	27.38	1089	INCHES
	400	350	819	470	578	413	318	50	50	619	493	mm
	16	16	33.13	19.00	22.13	17.50	13.75	2	2	25.00	1280	INCHES
	400	400	842	483	588	445	349	50	50	635	581	mm
	18	14	35.38	19.58	23.00	17.63	12.50	2	2	26.00	1058	INCHES
	450	350	898	498	584	448	318	50	50	660	480	mm
	18	16	35.25	20.13	25.13	17.63	13.75	2	2	26.63	1256	INCHES
	450	400	895	511	638	448	349	50	50	676	569	mm
	18	18	36.38	20.75	25.63	19.88	16.00	2	2	27.50	1572	INCHES
	450	450	924	727	651	505	406	50	50	699	713	mm
	20	16	37.25	21.13	27.13	20.13	13.75	2	2	28.13	1452	INCHES
	500	400	946	537	689	511	349	50	50	715	659	mm
	20	18	38.50	21.88	27.63	20.13	16.00	2	2	29.13	1793	INCHES
	500	450	978	556	702	511	406	50	50	740	813	mm
	20	20	42.13	22.25	30.88	23.50	19.38	2	2	31.13	2560	INCHES
	500	500	1070	565	784	597	492	50	50	791	1161	mm
	24	18	42.63	24.00	31.63	20.50	16.00	2	2	32.25	2382	INCHES
	600	450	1083	610	703	521	406	5	5	819	1080	mm
	24	20	46.25	24.38	34.88	23.88	19.38	2	2	34.25	3545	INCHES
	600	500	1175	619	886	607	492	50	50	870	1608	mm
	24	24	47.38	25.50	34.88	23.88	19.38	2	2	35.38	3600	INCHES
	600	600	1203	648	886	607	492	50	50	899	1633	mm

• Suction Diffusers Series ASDFF «Steel Fabricated»



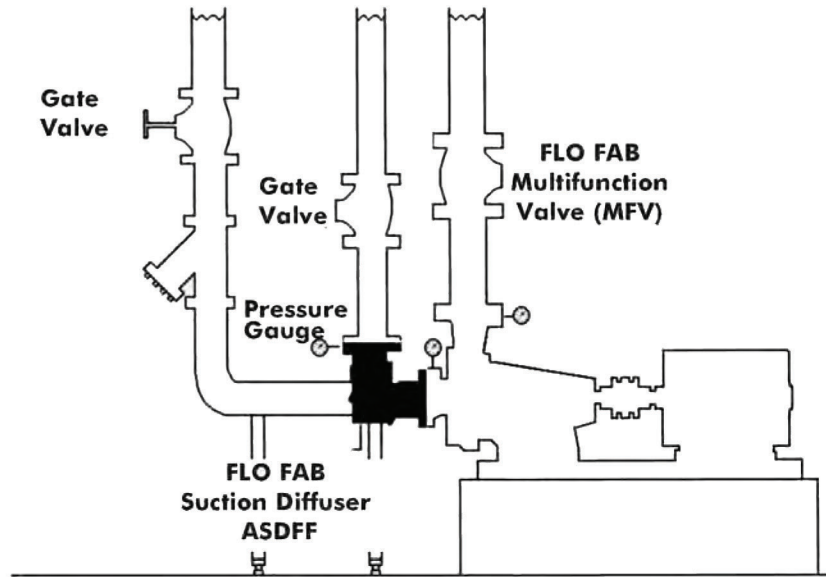
1	Body	Cast Iron A126-B
2	Cover	Cast Iron A126-B
3	Strainers	Stainless Steel
4	Start-Up	20 Mesh Screen
5	Diffuser	Cast Iron A126-B
6	Gasket	BUNA-N
7	O'ring	BUNA-N
8	Purge	Steel

√	Size	L1		L2		L3		L4		L5		NPT
		(in)	(mm)	(in)	(mm)	(in)	(mm)	(in)	(mm)	(in)	(mm)	
	2x2	4.5	114.3	4.5	114.3	6.65	169	5.94	151	9.96	253	19.05mm 0.75"
	2.5x2	5	127	5	127	7.52	191	6.57	167	10.63	270	
	2.5x2.5											
	3x2	5.5	139.7	4.5	114.3	7.68	195	6.04	153.6	9.92	252	
	3x2.5			5.5	139.7	8.50	216	7.04	179	11.18	284	
	3x3											
	4x3	6.5	165	6.5	165	10.35	263	8.77	223	13.15	334	25.4mm 1"
	4x4					10.24	260	8.27	210	12.91	328	
	5x4	7.5	190.5	7.5	190.5	13.07	332	10	254	15.51	394	
	5x5											
	6x4	7.99	203	6.50	165	12.95	329	8.78	223	13.58	345	
	6x5			7.99	203	14.45	367	10.70	272	16.65	423	
	6x6											
	8x5	7.56	192	9	228.6	13.11	333	12.95	329	19.17	487	
	8x6	9	228.6	8	203.2	15.47	393	11.69	297	17.91	455	
	8x8			9	228.6	17.24	438	11.61	295	21.34	542	31.75mm 1.25"

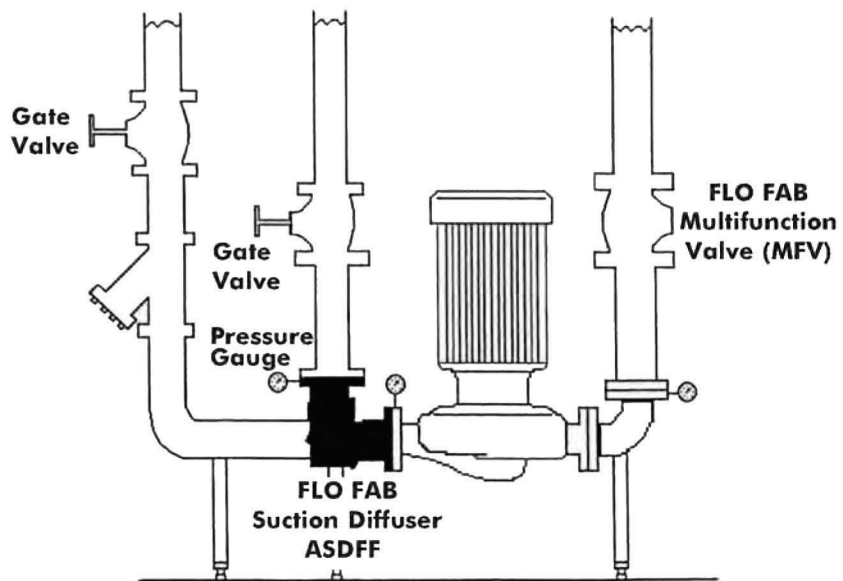
• **Suction Diffusers Series ASDFF**
Piping Details

TYPICAL INSTALLATION

FRAME MOUNTED

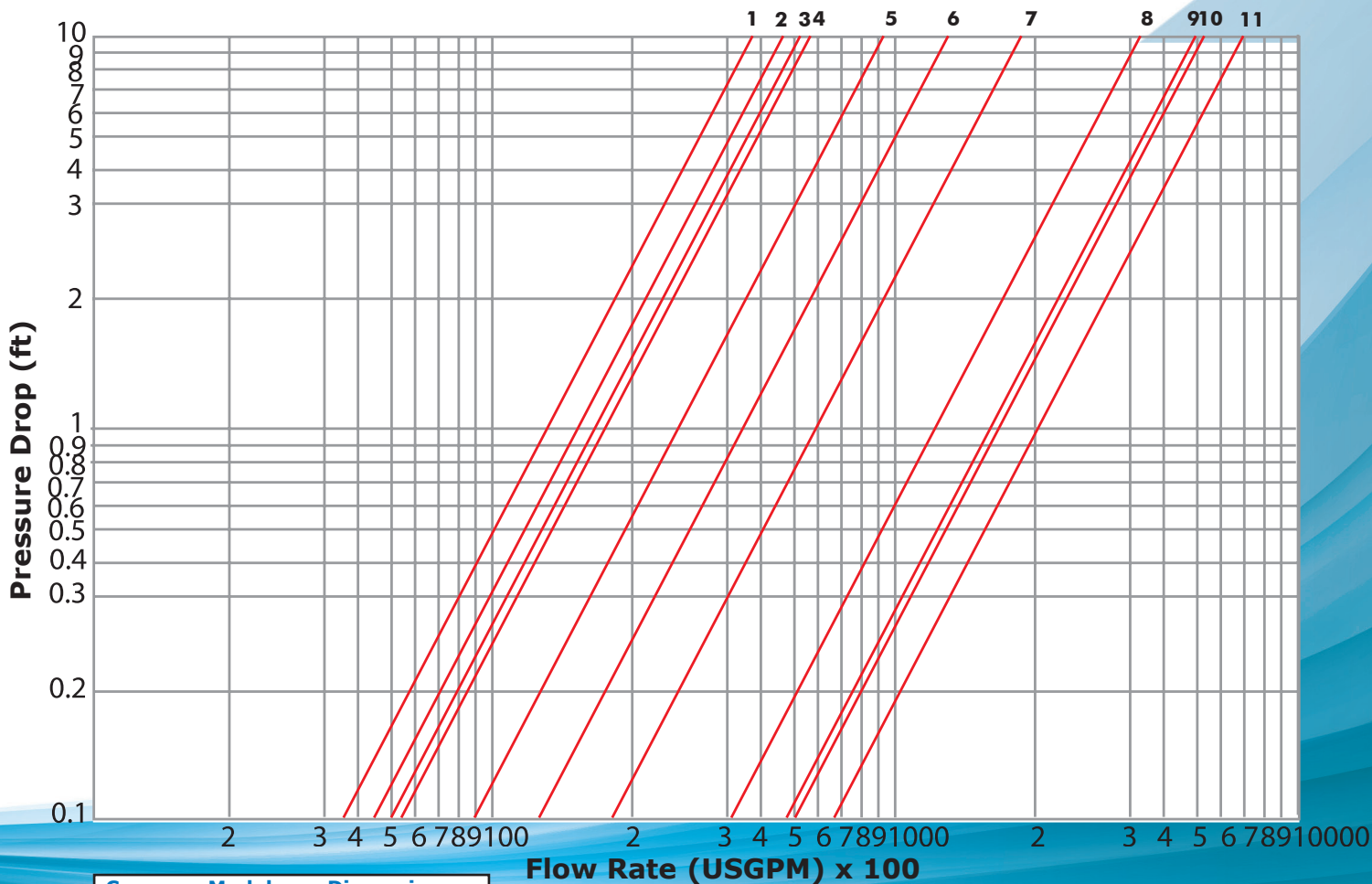


IN-LINE

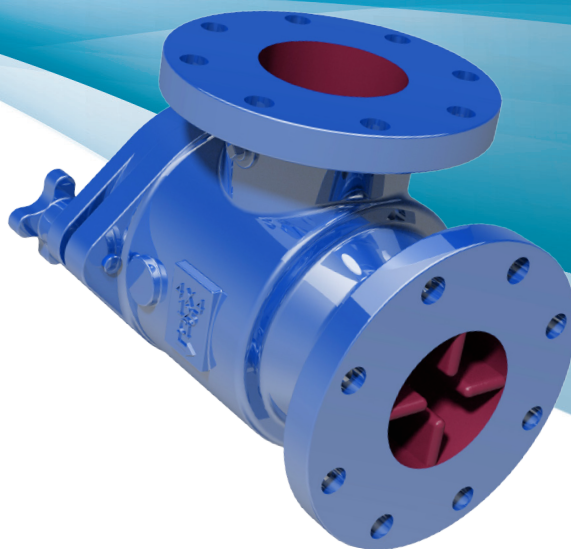




● Pressure Drop VS Flow Rate



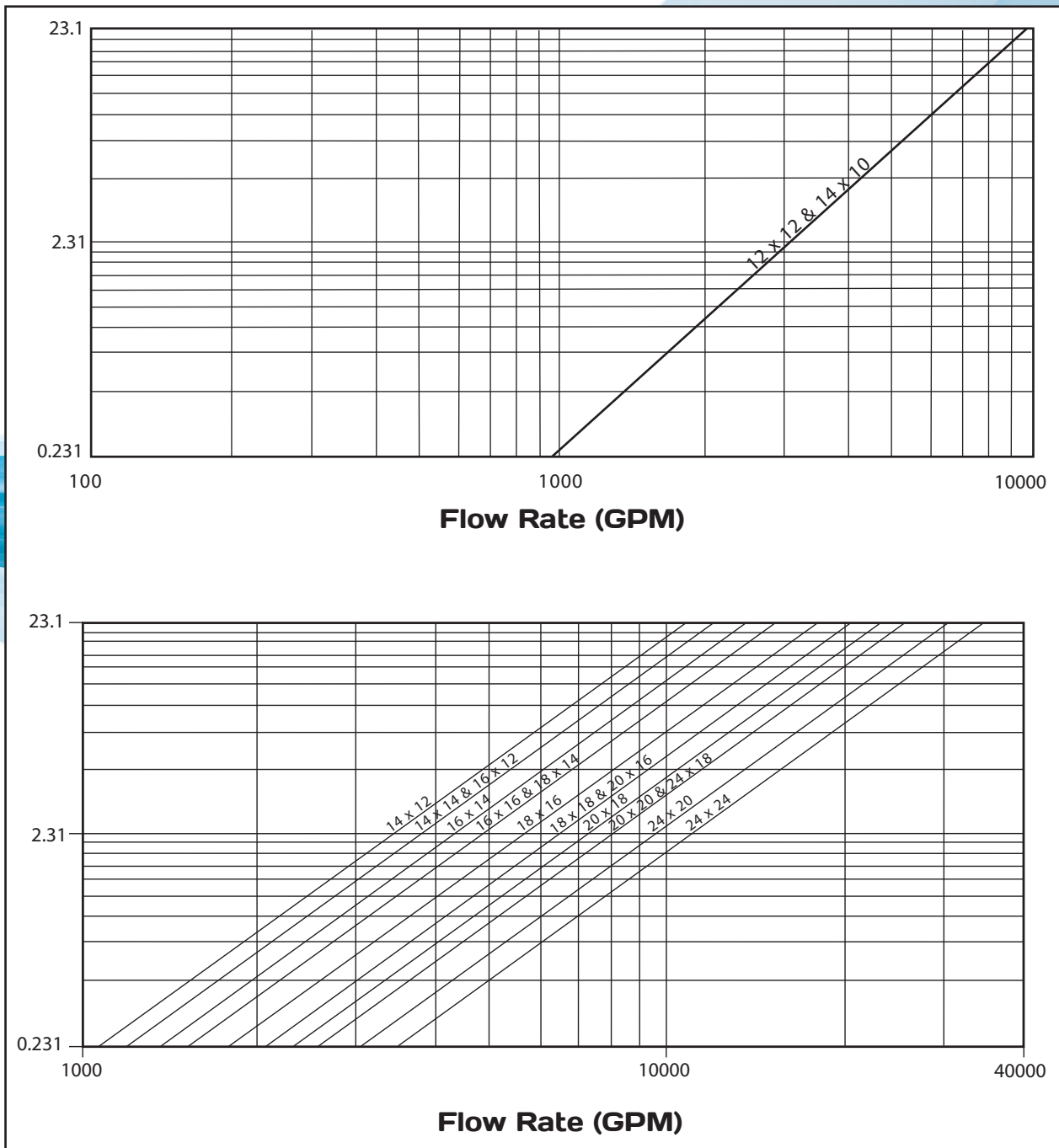
Curve	Models	Dimensions
1	ASDFF0202 ASDFF0325	2 x 2 3 x 2.5
2	ASDFF2502	2.5 x 2
3	ASDFF0302 ASDFF0303 ASDFF0403	3 x 2 3 x 3 4 x 3
4	ASDFF2525	2.5 x 2.5
5	ASDFF0404 ASDFF0504 ASDFF0604	4 x 4 5 x 4 6 x 4
6	ASDFF0505 ASDFF0605	5 x 5 6 x 5
7	ASDFF0606 ASDFF0806	6 x 6 8 x 6
8	ASDFF0808 ASDFF1008	8 x 8 10 x 8
9	ASDFF1010	10 x 10
10	ASDFF1210	12 x 10
11	ASDFF1212	12 x 12



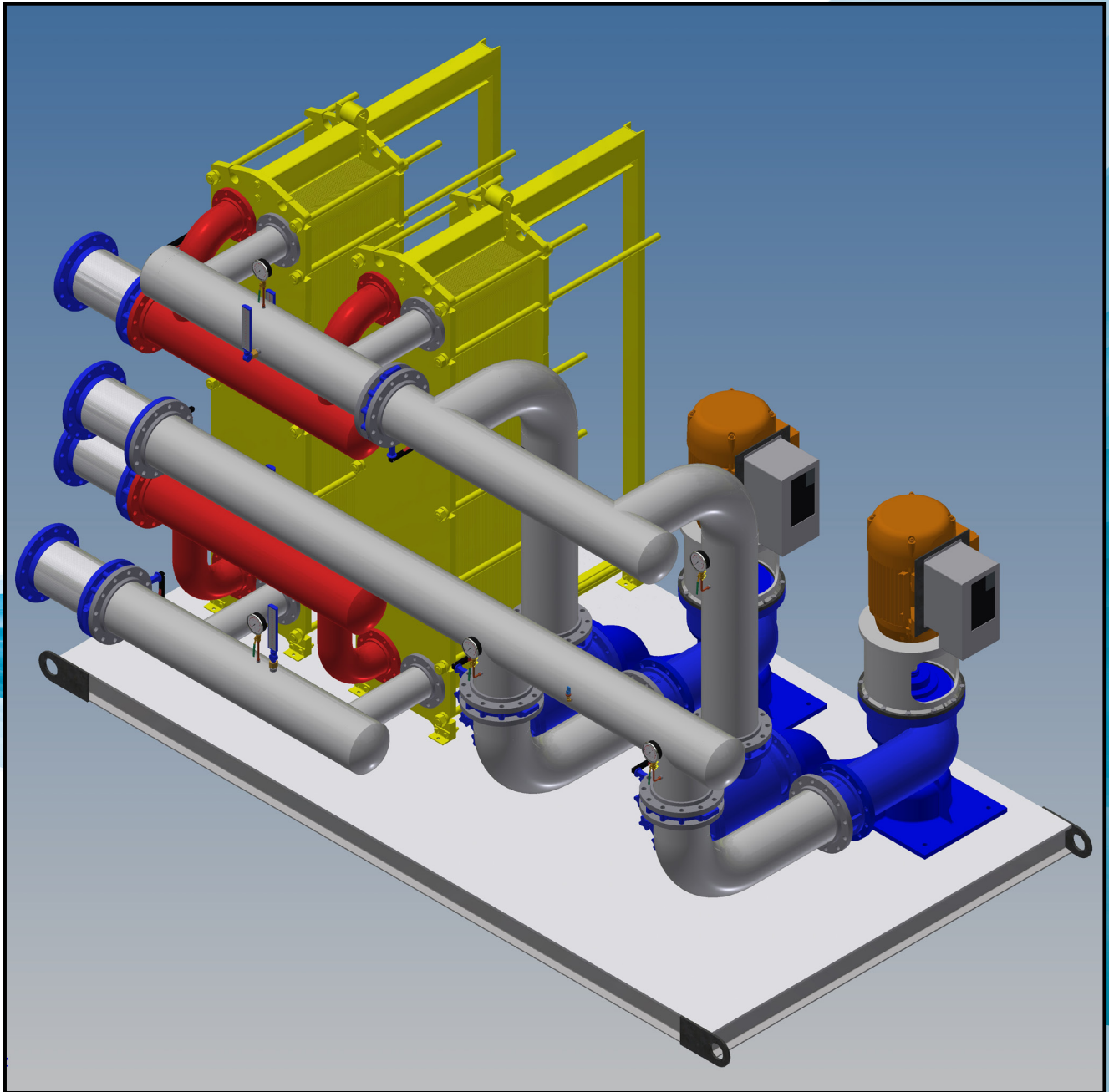


● Pressure Drop vs Flow Rate

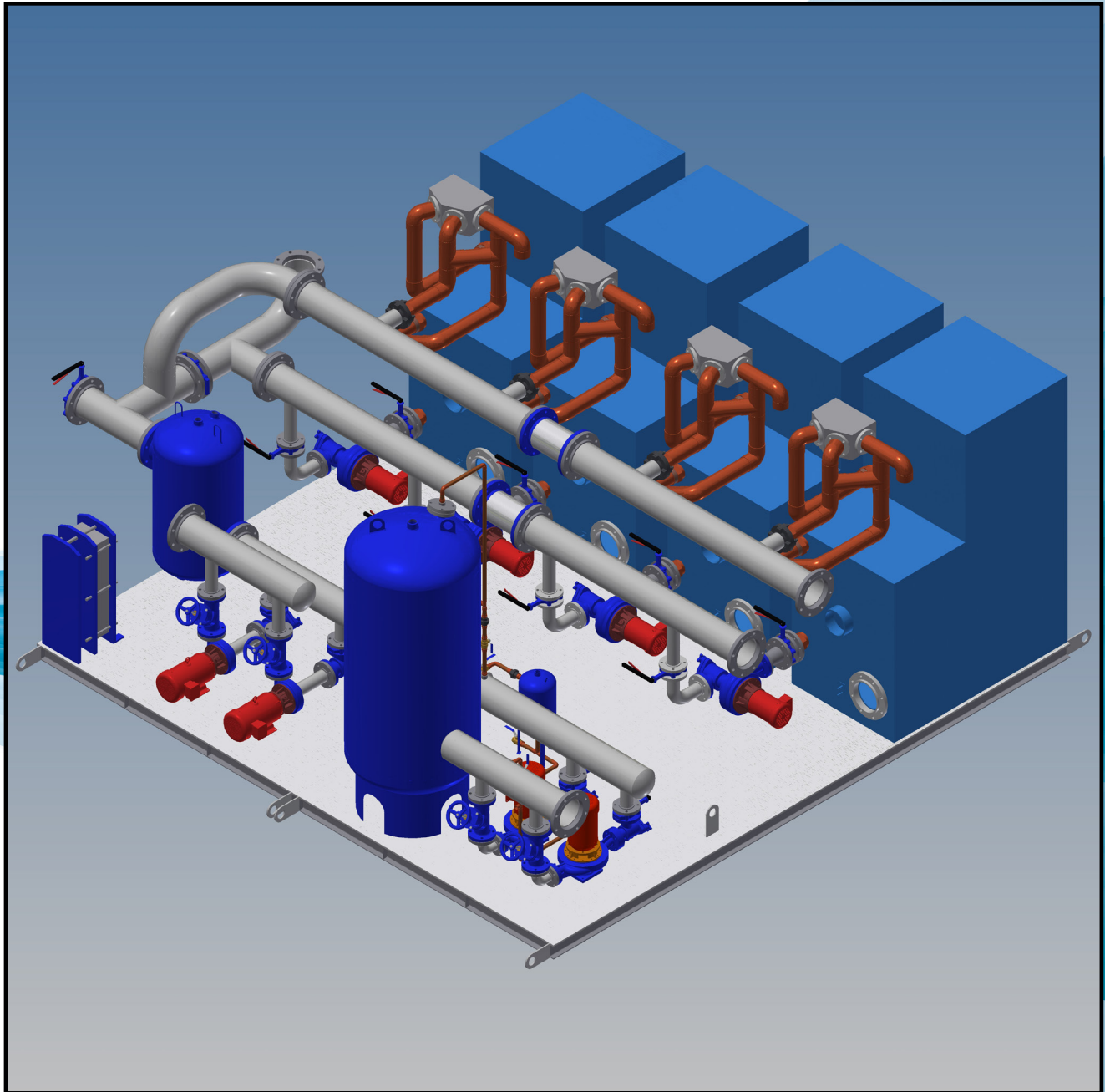
Water Service, Clean Basket, 1/32" - 1/4"
Perforated Screen



- **Other System**



- **Other System**



We are proud supplier for the following completed and on going projects :



Rogers Arena
800 Griffiths Way,
Vancouver, BC V6B 6G1



Hoffs Bakery,
1 Brainard Ave, Medford,
MA 02155, United States



Trigone Ste-Therese
305 Curé-Labelle, Boul.
Sainte-Therese,
QC J7E 2X8



Rimouski Hospital
150, Rouleau Avenue,
Rimouski, QC G5L 5T1

Sales and Service:

Quebec, Canada
Tel. : (450) 621-2995
Fax : (450) 621-4995

Lake Worth
Florida, USA
33467-5749

Toronto, Canada
Tel. : +1 (647) 544-2995

www.flofab.com

SERVICE 24/7 : parts@flofab.com

