

FLO FAB

Go

With the **FLO**



Y and Basket Strainers Series "LCTY-LYF-SBS-DBS"

Manufacturer of Pumps, Tanks, Heat Exchangers & Accessories
for HVAC Market After-Sales Parts and Services

Y and Basket Strainers
Series "LCTY-LYF-SBS-DBS"

www.flofab.com

FLO FAB INC
LAKE WORTH,
FLORIDA, USA



Y and Baskets Strainers

Y STRAINERS

2 - 4

THREADED LCTY

2

FLANGED LYF

3

BASKET STRAINERS

4 - 5

FLANGED SIMPLEX SBS

4

FLANGED DUPLEX DBS

5

REPLACEMENT SCREENS AND BASKETS

6

PERFORMANCE CURVES

7

TYPICAL SPECIFICATIONS FOR Y STRAINERS

8

TYPICAL SPECIFICATIONS FOR BASKET STRAINERS

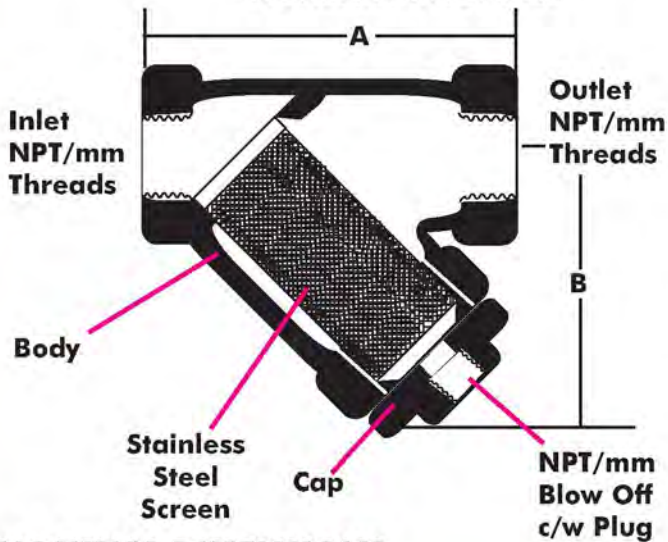
9

Threaded Y Strainer Series LCTY

FEATURES

SUBMITTAL DATA SHEET
 ISSUE DATE: MAY 2008
 REVISION DATE: MAY 2008

Body: ASTM A126 Class B Cast Iron
Rating: Steam:
 - 250 PSI (1723.69 kPa) at 406°F (207.78°C)
 - Water, Oil, Gas:
 400 PSI (2757.90 kPa) at 150°F (65.56°C)
Standard Screens: Diameter from 1/2" to 2" (15mm to 50mm)
 Opening 1/32" (0.8mm)
 STD. Mesh/Perf.: 20 Mesh



NOMINAL DIMENSIONS

Models	Diameter	A	B	Blow Off	Weight
LCTY0050	1/2" 15 mm	3" 76.2 mm	2 1/2" 63.5 mm	3/8" NPT 10.16 mm	1.76 lbs 0.8 kg
LCTY0075	3/4" 20 mm	4" 101.6 mm	2 3/4" 69.5 mm	1/2" NPT 12.7 mm	2.65 lbs 1.2 kg
LCTY0100	1" 25 mm	4 7/16" 116.84 mm	3 1/2" 88.9 mm	1/2" NPT 12.7 mm	3.97 lbs 1.8 kg
LCTY0125	1 1/4" 32 mm	5 1/8" 129.54 mm	4" 101.6 mm	3/4" NPT 19.05 mm	7.06 lbs 3.2 kg
LCTY0150	1 1/2" 40 mm	6 1/8" 154.94 mm	4 3/8" 115.57 mm	3/4" NPT 19.05 mm	8.38 lbs 3.8 kg
LCTY0200	2" 50 mm	7 3/8" 187.96 mm	5 1/2" 139.7 mm	1" NPT 25.4 mm	13 lbs 5.9 kg

Dimensions not to be used for construction unless prints certified by factory.

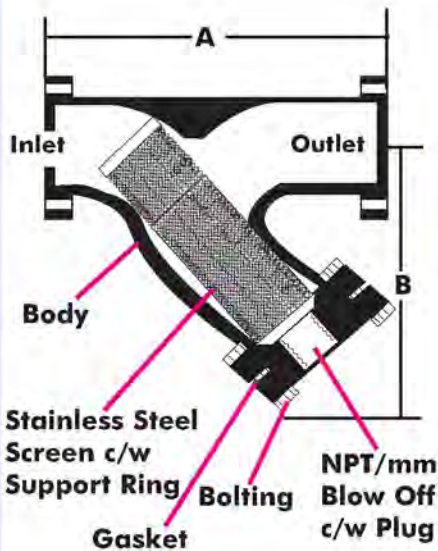


Flanged Y Strainer Series LYF

SUBMITTAL DATA SHEET
 ISSUE DATE: MAY 2008
 REVISION DATE: MAY 2008

FEATURES

Body: ASTM A126 Class B Cast Iron
 Rating: Steam:
 - 2" to 12": 150 PSI (1034.21 kPa) at 450oF (232.22oC)
 - 14" to 16": 150 PSI (1034.21 kPa) at 250oF (121.11oC)
 Water, Oil or Gas
 - 2" to 12": 200 PSI (1378.95 kPa) at 150oF (65.55oC)
 - 14" to 16": 150 PSI (1034.21 kPa) at 150oF (65.55oC)
 Standard Screens: Diameter from 2" to 12" (50mm to 300mm)
 Opening 1/16" (1.2mm)
 STD. Mesh/Perf.: 3/64" perf. (1.2mm)
 Diameter from 14" to 16" (350mm to 400mm)
 Opening 1/8" (3.18mm)
 STD. Mesh/Perf.: 1/8" perf. (3.18mm)



MODEL	DIM (mm)	Diameter	A	B	BLOW OFF	WEIGHT
LYF0200	50	2" 50 mm	7 1/2" 90.5 mm	6" 152.4 mm	0.50 " NPT 12.70 mm	22.0 lbs 10.0 kg
LYF0250	65	2 1/4" 58 mm	10 5/8" 267.97 mm	6 1/2" 165.10 mm	0.50 " NPT 12.70 mm	35.0 lbs 15.9 kg
LYF0300	80	3 1/16" 77 mm	11 3/8" 289.56 mm	6 3/4" 171.45 mm	0.50 " NPT 12.70 mm	52.0 lbs 23.6 kg
LYF0400	100	3 3/4" 95 mm	13 11/16" 347.98 mm	9" 228.60 mm	1.00 " NPT 25.40 mm	75.0 lbs 34.1 kg
LYF0500	125	4 3/4" 121 mm	16 13/16" 426.72 mm	11 1/2" 292.1 mm	1.25 " NPT 31.75 mm	115.0 lbs 52.2 kg
LYF0600	150	6" 150 mm	18 1/2" 469.90 mm	12 5/8" 318.77 mm	1.50 " NPT 38.10 mm	154.0 lbs 69.9 kg
LYF0800	200	7 5/8" 192 mm	21 3/16" 538.48 mm	18 3/4" 476.25 mm	1.50 " NPT 38.10 mm	243.0 lbs 110.3 kg
LYF1000	250	9 3/4" 248 mm	25 15/16" 657.86 mm	19" 482.6 mm	2.00 " NPT 50.80 mm	408.0 lbs 185.2 kg
LYF1200	300	12" 300 mm	30" 762 mm	22" 558.8 mm	2.00 " NPT 50.80 mm	650.0 lbs 295.1 kg
LYF1400	350	14" 350 mm	37 3/8" 949.96 mm	29" 736.6 mm	2.00 " NPT 50.80 mm	816.0 lbs 370.5 kg
LYF1600	400	16" 400 mm	42 1/2" 1079.5 mm	33" 838.2 mm	2.00 " NPT 50.80 mm	1226.0 lbs 556.6 kg

Dimensions are subject to change without prior notice

Dimensions not to be used for construction unless prints certified by factory.

Flanged Simplex Basket Strainer Series SBS

SUBMITTAL DATA SHEET
ISSUE DATE: MAY 2008
REVISION DATE: MAY 2008

FEATURES

Body: ASTM A126 Class B Cast Iron

Rating:

Steam:

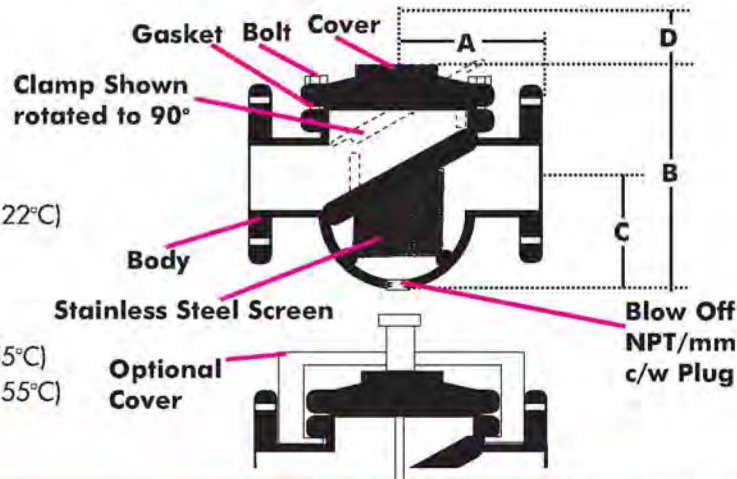
- 2" to 12": 150 PSI (1034.21 kPa) at 450°F (232.22°C)

- 14" to 16": 150 PSI (1034.21 kPa)
at 250°F (121.11°C)

Water, Oil or Gas:

- 2" to 12": 200 PSI (1378.95 kPa) at 150°F (65.55°C)

- 14" to 16": 150 PSI (1034.21 kPa) at 150°F (65.55°C)



NOMINAL DIMENSIONS

Models	Diameter	A	B	C	D*	Blow Off	Weight
SBS0200	2" 50 mm	8 ¹ / ₈ " 206 mm	8 ³ / ₈ " 213 mm	5" 127 mm	5 ³ / ₈ " 137.16 mm	1" NPT 25.4 mm	22 lbs 10 kg
SBS0250	2 ¹ / ₂ " 65 mm	8 ¹ / ₄ " 210 mm	9 ³ / ₈ " 252 mm	5 ⁵ / ₁₆ " 135 mm	6 ⁵ / ₁₆ " 160.02 mm	1" NPT 25.4 mm	31 lbs 14.06 kg
SBS0300	3" 80 mm	9 ⁷ / ₈ " 251 mm	11 ¹ / ₄ " 270 mm	6 ¹ / ₂ " 163 mm	8" 203.2 mm	1" NPT 25.4 mm	42 lbs 19.05 kg
SBS0400	4" 100 mm	11 ¹ / ₂ " 292 mm	13 ¹ / ₂ " 343 mm	8" 199 mm	9 ⁵ / ₁₆ " 236.22 mm	1" NPT 25.4 mm	70 lbs 31.75 kg
SBS0500	5" 125 mm	13 ¹ / ₈ " 333 mm	14 ³ / ₈ " 371 mm	8" 199 mm	10 ¹ / ₄ " 260.35 mm	1" NPT 25.4 mm	90 lbs 40.82 kg
SBS0600	6" 150 mm	14 ⁷ / ₈ " 378 mm	15 ⁵ / ₈ " 387 mm	8 ⁵ / ₈ " 212 mm	11 ¹ / ₈ " 281.94 mm	1 ¹ / ₄ " NPT 31.75 mm	124 lbs 56.25 kg
SBS0800	8" 200 mm	18 ¹ / ₁₆ " 475 mm	21" 533 mm	11 ³ / ₄ " 292 mm	15 ⁹ / ₁₆ " 396.24 mm	3/4" NPT 19.05 mm	270 lbs 122.47 kg
SBS1000	10" 250 mm	20 ¹ / ₈ " 511 mm	24 ¹ / ₂ " 624 mm	13 ³ / ₄ " 350 mm	18" 457.2 mm	3/4" NPT 19.05 mm	384 lbs 174.18 kg
SBS1200	12" 300 mm	26 ¹ / ₄ " 667 mm	29 ³ / ₄ " 756 mm	16 ³ / ₈ " 416 mm	23 ¹ / ₄ " 590.55 mm	1" NPT 25.4 mm	670 lbs 303.91 kg
SBS1400	14" 350 mm	30 ¹ / ₄ " 768.35 mm	36 ³ / ₈ " 924.56 mm	23 ¹ / ₄ " 590.55 mm	28 ¹ / ₈ " 713.74 mm	1 ¹ / ₂ " NPT 38.1 mm	1010 lbs 458.13 kg
SBS1600	16" 400 mm	31 ⁷ / ₁₆ " 798.83 mm	43 ¹ / ₄ " 1098.55 mm	29 ¹ / ₂ " 749.3 mm	N/A	2" NPT 50.8 mm	1320 lbs 598.74 kg
SBS1800	18" 450 mm	34" 863.6 mm	52 ¹ / ₄ " 1327.15 mm	36" 914.4 mm	N/A	2" NPT 50.8 mm	1916 lbs 869.08 kg
SBS2000	20" 500 mm	36 ⁵ / ₈ " 928.37 mm	57 ⁷ / ₈ " 1468.12 mm	40 ⁷ / ₈ " 1036.32 mm	N/A	2" NPT 50.8 mm	2460 lbs 1115.8 kg
SBS2400	24" 600 mm	41 ¹ / ₂ " 1054.1 mm	65 ³ / ₈ " 1661.16 mm	46 ¹ / ₄ " 1174.75 mm	N/A	2" NPT 50.8 mm	4550 lbs 2063.8 kg

STANDARD SCREENS

Diameters

2" to 12"
(50mm to 300mm)

Opening

1/16" (1.2mm)

STD. Mesh/Perf.

3/64" perf. (1.2mm)

Diameters

14" to 16"
(350mm to 400mm)

Opening

1/8" (3.18mm)

STD. Mesh/Perf.

1/8" perf. (3.18mm)

Dimensions are subject to change without prior notice

* **basket removal clearance**

Dimensions not to be used for construction
unless prints certified by factory.



Flanged Duplex Basket Strainer Series DBS

SUBMITTAL DATA SHEET
 ISSUE DATE: MAY 2008
 REVISION DATE: MAY 2008

FEATURES

Body: ASTM A126 Class B Cast Iron
(bronze also available)

Rating:

Threaded (T):

Clamped Cover: 150 PSI (1034.21 kPa)
at 250°F (121.11°C)

Bolted Cover: 400 PSI (2757.90 kPa)
at 100°F (37.78°C)

Flanged:

Clamped Cover: 150 PSI (1034.21 kPa)
at 250°F (121.11°C)

Bolted Cover: 175 PSI (1206.58 kPa)
at 250°F (121.11°C)

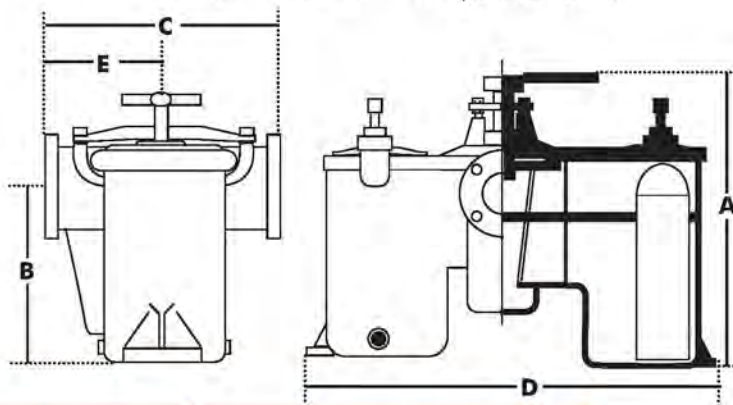
STANDARD SCREENS

(Stainless Steel)

Diameters	Diameters
2" to 12" (50mm to 300mm)	14" to 16" (350mm to 400mm)

Opening	Opening
1/16" (1.2mm)	1/8" (3.18mm)

STD. Mesh/Perf.	STD. Mesh/Perf.
3/64" perf. (1.2mm)	1/8" perf. (3.18mm)



NOMINAL DIMENSIONS (THREADED)

Models	Diameter NPT	A	B	C	D	E	F	Weight
DBS0075T	3/2"	12 1/4"	5 3/8"	6 3/4"	14 1/2"	3 3/8"	1/4"	43 lbs
	20 mm	311.15 mm	140.97 mm	171.45 mm	368.3 mm	90.17 mm	6.35 mm	19.5 kg
DBS0100T	1"	12 1/4"	5 3/8"	6 3/4"	14 1/2"	3 3/8"	1/4"	43 lbs
	25 mm	311.15 mm	140.97 mm	171.45 mm	368.3 mm	90.17 mm	6.35 mm	19.5 kg
DBS0125T	1 1/4"	13 1/2"	6 3/4"	7 7/8"	15 1/2"	3 7/8"	3/8"	56 lbs
	32 mm	336.55 mm	171.45 mm	191.77 mm	387.35 mm	96.52 mm	10.16 mm	25.4 kg
DBS0150T	1 1/2"	13 1/4"	6 3/4"	7 7/8"	15 1/2"	3 7/8"	3/8"	56 lbs
	40 mm	336.55 mm	171.45 mm	191.77 mm	387.35 mm	96.52 mm	10.16 mm	25.4 kg
DBS0200T	2"	14 3/4"	7 7/8"	10 5/8"	20 1/2"	5 1/4"	3/4"	115 lbs
	50 mm	374.65 mm	198.12 mm	267.97 mm	520.7 mm	142.24 mm	19.05 mm	52.2 kg

NOMINAL DIMENSIONS (FLANGED)

Models	Diameter	A	B	C	D	E	F	Weight
DBS0250	2 1/2"	14 3/4"	7 7/8"	12"	20 1/2"	6 7/32"	3/4"	115 lbs
	65 mm	374.65 mm	198.12 mm	304.8 mm	520.7 mm	157.99 mm	19.05 mm	52.2 kg
DBS0300	3"	17 3/8"	10 3/4"	12 1/2"	20 3/4"	6 7/8"	3/4"	141 lbs
	80 mm	445.77 mm	273.05 mm	317.5 mm	527.05 mm	172.72 mm	19.05 mm	63.96 kg
DBS0400	4"	20 1/16"	13 3/32"	15 3/8"	25 1/4"	8 5/16"	3/2"	305 lbs
	100 mm	525.78 mm	330.96 mm	394.97 mm	641.35 mm	226.06 mm	19.05 mm	138.35 kg

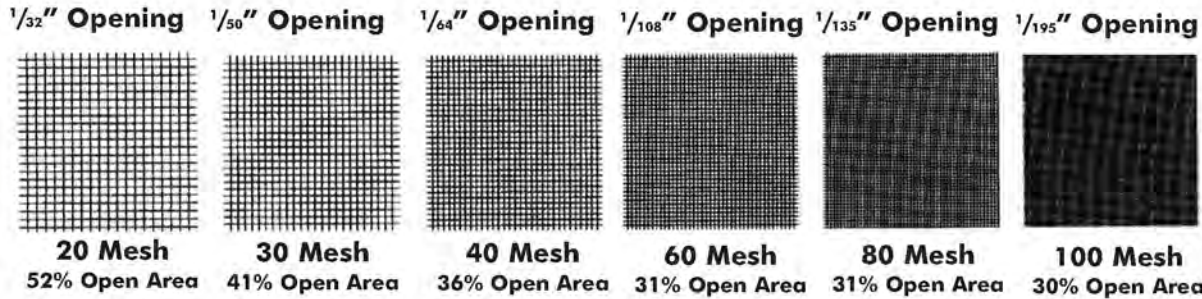
Dimensions are subject to change without prior notice.

***Other sizes are available but not shown**

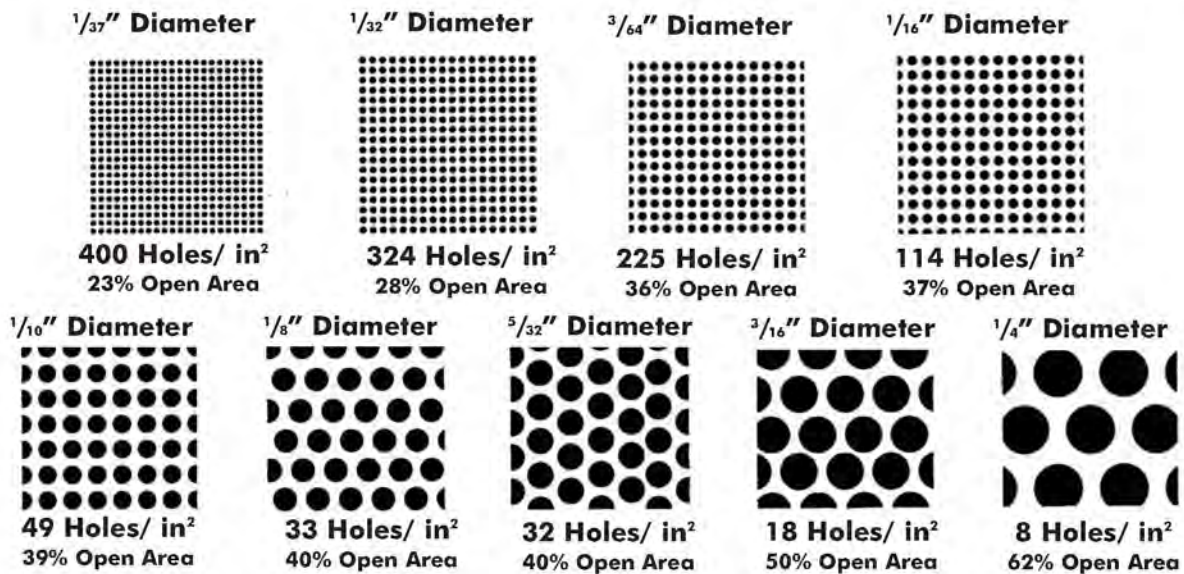
Dimensions not to be used for construction unless prints certified by factory.

Replacement Screens and Baskets

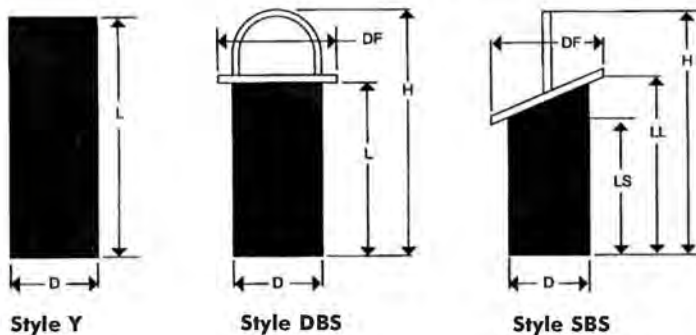
Mesh Sizes other than shown are also available on application



Perforations other than shown are also available (All open area are approximative)



Perforated Metal and Mesh available in all Materials



Specify:

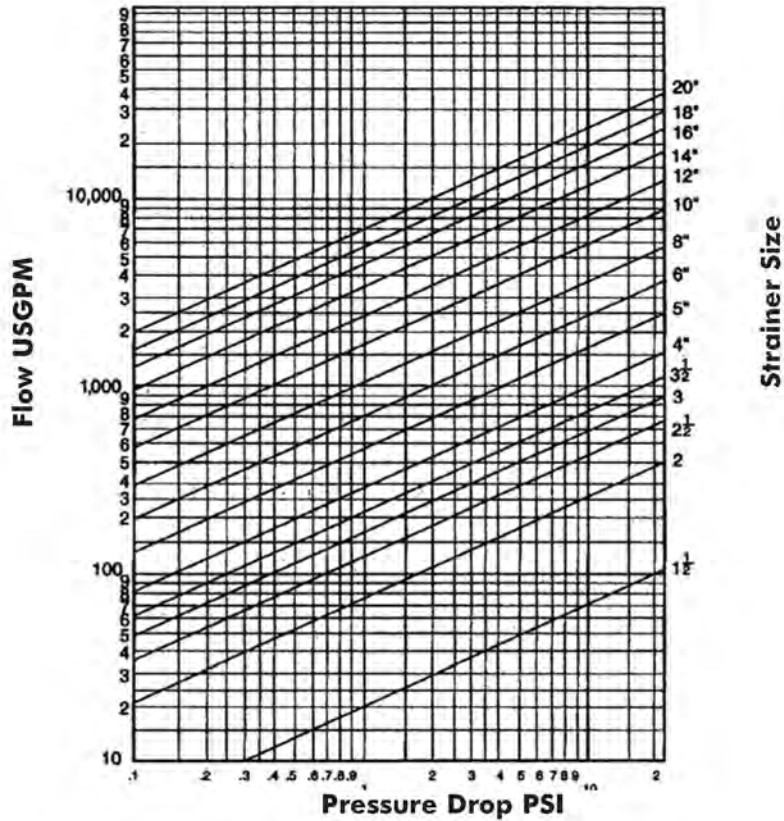
- 1) The Style: Y- Y Strainer
DBS- Duplex Basket Strainer
SBS- Simplex Basket Strainer
- 2) Perforation and Mesh (if liner is required)
- 3) Material (Stainless Steel is standard)
- 4) All lettered dimensions shown on the drawings (D,L,H,DF,LS,LL)



Strainers Pressure Drop Curves

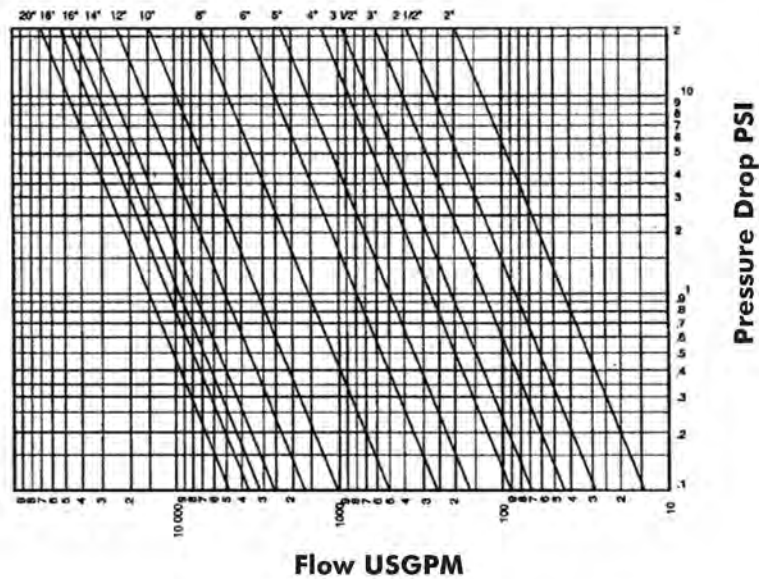
SUBMITTAL DATA SHEET
ISSUE DATE: MAY 2008
REVISION DATE: MAY 2008

Flanged Y Strainers



Flanged Basket Strainers

Strainers Size



Typical Specifications for Y Strainers

Supply and install as shown on plans FLO FAB Y strainers type LYF, or LCTY. Each strainer shall be with a cast iron body and cap with flanged connections for series LYF and NPT connections for series LCTY. All suitable for pipe sizes primary service rating manufactured by FLO FAB. Of rugged and compact construction, the Y strainers features low pressure drop characteristics. Screwed blind caps are supplied with sizes 1/4" to 2" as standard. Blow-off connection plugs are available if required. Strainers shall have 1/8" or 3/64" perforated stainless steel screen (refer to each submittal sheet on standard screens information). Other perforations and screen materials are available if required. Strainers shall be FLO FAB series LYF or LCTY or approved equal.

Type LYF 150 PSI

Water - Oil - Gas

2" (50 mm) - 12" (300 mm) 200 PSI (1378.9 Kpa) at 150°F (65.5°C).

14" (350 mm) - 16" (400 mm) 150 PSI (1034.21 Kpa) at 150°F (65.5°C).

Steam

2" (50 mm) - 12" (300 mm) 150 PSI (1034.21 Kpa) at 450°F (232.22°C).

14" (350 mm) - 16" (400 mm) 150 PSI (1034.21 Kpa) at 250°F (121.11°C).

Type LYF 250 PSI

Water - Oil - Gas

2" (50 mm) - 12" (300 mm) 500 PSI (3448 Kpa) at 150°F (65.5°C).

14" (350 mm) 300 PSI (2069 Kpa) at 150°F (65.5°C).

Steam

2" (50 mm) - 12" (300 mm) 250 PSI (1724 Kpa) at 450°F (232.22°C).

16" (400 mm) 250 PSI (1724 Kpa) at 250°F (121.11°C).

Type LCTY

Water - Oil - Gas

1/2" (7 mm) - 2" (50 mm) 400 PSI (2757 Kpa) at 150°F (65.5°C).

Steam

1/2" (7 mm) - 2" (50 mm) 250 PSI (1724 Kpa) at 406°F (207.7°C).



Typical Specifications for Baskets Strainers

Supply and install as shown on plans Flo Fab Basket Strainers type SBS for simplex and/or type DBS for duplex. Each strainer shall be with a cast iron body and cap with flanged connections for basket simplex from 2" to 24" #150 ASA drilled and a possibility of flanged or threaded for duplex strainers from 3/4" to 2" and flanged connections from 2 1/2" to 4". Primary service rating manufactured by FLO FAB. Body shall have side drain connection and flat-machined bottom surface. Screen construction shall permit straight-through flow. Designed for pumps and similar applications where a compact basket type strainer with low-pressure drop is required. Unusually low pressure drop for this size, weight and price due to straight through flow patten together with large screen area permitted by the design. The screen has container for storage of accumulated sludge between strainer cleanings. Flexible edges on the screen prevent dirt by-pass. Bottom of body is machined flat and drain plug is at the side so that the strainer may rest on grade. Screen are 1/8" or 3/64" perforated type 304 stainless steel. Other perforations and screen materials available.

Type DBS-150 or SBS

Water - Oil - Gas

2" (50 mm) - 12" (300 mm) 200 PSI (1379 Kpa) at 150°F (65.5°C).

14" (350 mm) - 24" (600 mm) 150 PSI (1034 Kpa) at 150°F (65.5°C).

Steam

2" (50 mm) - 12" (300 mm) 150 PSI (1034.21 Kpa) at 450°F (232°C).

14" (350 mm) - 24" (600 mm) 150 PSI (1034.21 Kpa) at 250°F (121.1°C).

Type DBS-150 or SBS

Threaded - Clamped cover

175 PSI (1206 Kpa) at 250°F (121.1°C).

Threaded - Bolted cover

400 PSI (2759 Kpa) at 100°F (37.7°C).

Flanged - Clamped cover

150 PSI (1034 Kpa) at 250°F (121.1°C).

Flanged - Bolted cover

175 PSI (1206 Kpa) at 250°F (121.1°C).



FLO FAB



**Manufacturer of Pumps, Tanks, Heat Exchangers & Accessories
for HVAC Market After-Sales Parts and Services**

www.flofab.com

FLO-FAB INC
LAKE WORTH,
FLORIDA, USA

SEPTEMBER 2009