

## Butterfly Valves Series LBFVZ

SUBMITTAL DATA SHEET  
 ISSUE DATE: MAY 2008  
 REVISION DATE: MAY 2008

### FEATURES

**Application:** HVAC, Water supply, Chemical and/or Petrochemical processing, Power and utilities, Paper and pulp.

**Type:** Lugged

**Face to Face:** API 609, BS 5155, DIN 3202, ISO 5752

**Flange:** ANSI

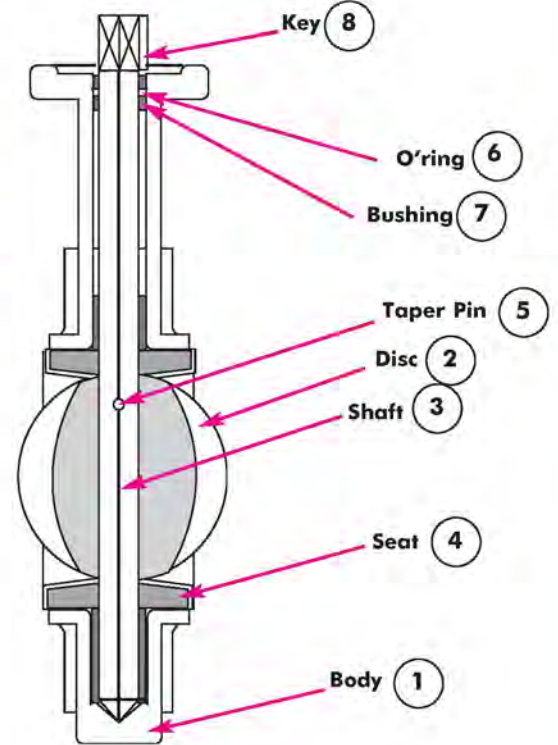
**Mounting Flange:** ISO 5211

**Maximum Working Pressure:** From 2" (50 mm) to 12" (300 mm) 200 PSI PN16 (1376 kPa) @ 225°F (107°C)  
 From 14" (350 mm) to 24" (600mm) 150 PSI PN10 (1034 kPa) @ 225oF (107°C)



Part	Material	
1	Body	Cast Iron ASTM A126 Class B
2	Disc	304 Stainless Steel ASTM A315 Gr.CF8
3	Shaft	416 Stainless Steel ASTM A276
4	Seat	EPDM
5	Taper Pin	Stainless Steel ASTM A276 Gr 316
6	O'ring	EPDM
7	Bushing	PTFE
8	Key	Carbon Steel

Part	Material	
1	Body	Ductile Iron, Carbon Steel, SS316
2	Disc	CF8, CF8M, SS416
3	Shaft	SS416
4	Seat	NBR, Viton, Neoprene, Hypalon, Silicon
5	Taper Pin	SS416
6	O'ring	NBR
7	Bushing	Bronze
8	Key	N/A



Dimensions not to be used for construction unless prints certified by factory.



## Butterfly Valves Series LBFVZ

### CONSTRUCTION

**Weather Seal:**

Top bushing keeps dust and moisture from entering the upper shaft journal.

**Shaft:**

One-piece through shaft ensures dependability and positive disc positioning.

**Bushings:**

Shaft bushings reduce torque and isolate the shaft from the valve body, preventing seizure of the shaft due to corrosion in the shaft journal.

**Seat Face:**

Seat to flange seal eliminates the need for flange gaskets.

**Seat:**

Phenolic-backed seat is non-collapsible, stretch resistant, blow out proof, and field replaceable.

**Mounting Flange:**

Mounting flange accommodates direct mounting of all type of actuators, including: handles, gear operators, electric and pneumatic.

**O'ring(s):**

Shaft seal provides further assurance against stem leakage.

**Flat Seal:**

Smooth finished disc flat mate with seat flat to give a highly efficient primary seal that prevents leakage into the shaft area.

**Taper Pin(s):**

Precision taper pin ensure positive, vibration proof, shaft to disc connection. Field replaceable.

**Disc:**

Precision profile provides bubble-tight shut-off, assures minimum torque and longer seat life.

