

Wafer Check Valves Series "LSDDB"

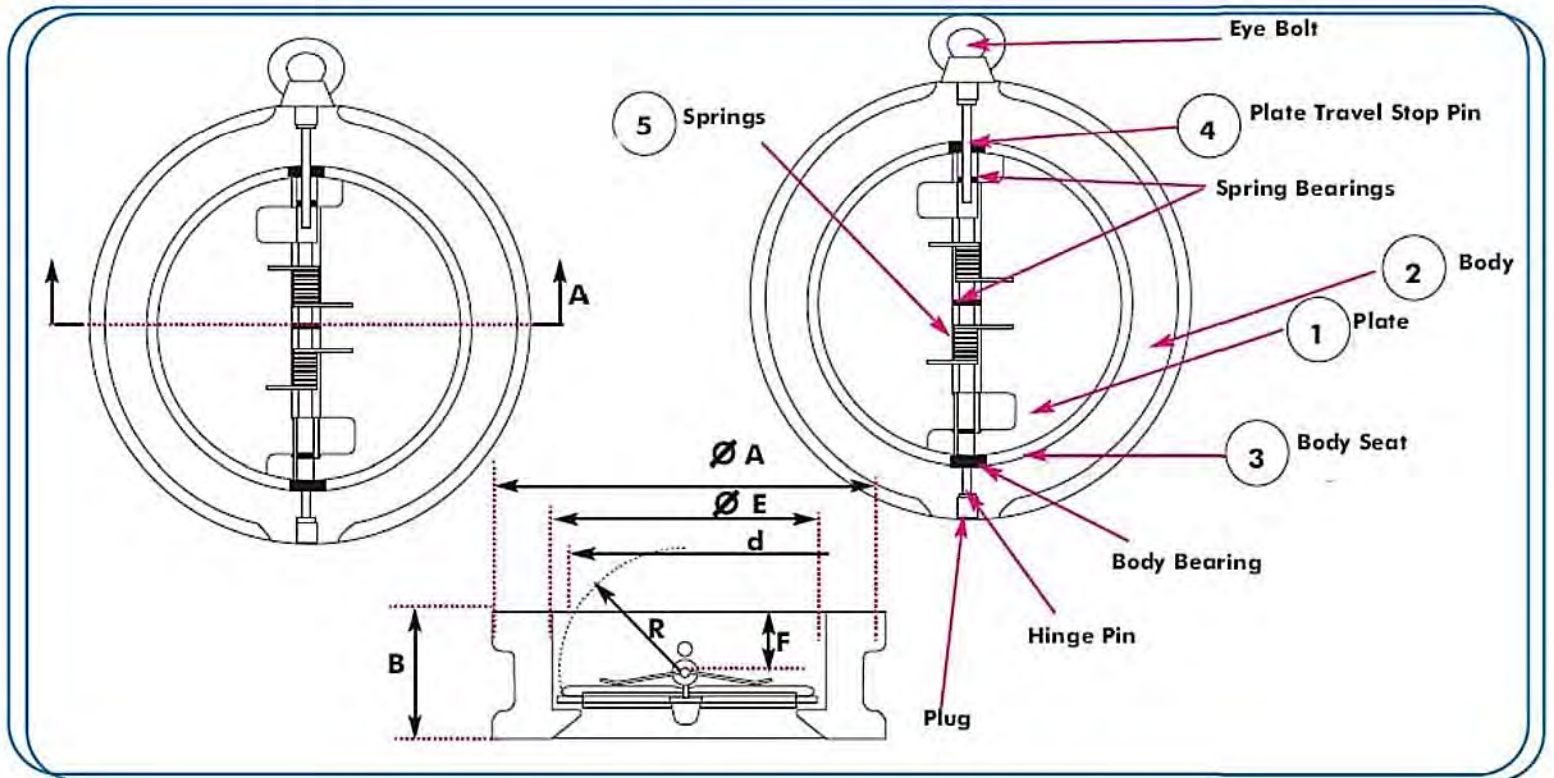
SUBMITTAL DATA SHEET
 ISSUE DATE: MAY 2008
 REVISION DATE: MAY 2008

Features

Type: Wafer
Face to Face: DIN 3202, ISO 5752
Flange: ANSI 150 lbs.
Application: HVAC, Water Supply and Sewage, Chemical and/or Petrochemical Processing, Power and Utilities, Paper and Pulp, Ship building

Maximum Working Pressure
 From 2" (50 mm) to 18" (450 mm)
 200 PSI PN16 (1376 kPa) @ 225°F (107°C)
 From 20" (500 mm) to 32" (800mm)
 150 PSI PN10 (1034 kPa) @ 225°F (107°C)

SIZES		B	E	F	R	d	A ANSI 150	WEIGHT (kg)
IN	DN							
2	50	1 11/16	3 9/16	3/4	1 1/18	1 11/16	4	3,2
2 1/2	65	1 13/16	3 1/8	13/16	1 7/16	2 3/8	4 3/4	2,5
3	80	2 1/8	3 11/16	1 1/8	1 11/16	2 5/8	5 1/4	3,6
4	100	2 1/8	4 5/8	1 1/16	2 1/16	3 5/16	6 3/4	5,7
5	125	2 3/4	5 11/16	1 3/16	2 9/16	4 5/8	7 5/8	7,3
6	150	3	6 11/16	1 1/4	3 1/8	5 11/16	8 5/8	9
8	200	3 1/2	8 13/16	1 5/16	4 1/8	7 13/16	10 7/8	17
10	250	4 1/2	10 7/16	2	5	9 3/16	13 1/4	26
12	300	4 1/2	12 3/16	1 11/16	5 13/16	11 3/16	16	42
14	350	5	14 3/16	1 3/4	6 13/16	13 1/8	17 5/8	55
16	400	5 1/2	16 1/8	2 1/16	7 3/4	15	20 1/8	75
18	450	6	17 3/4	2 5/16	8 9/16	16 9/16	21 1/2	107
20	500	6	19 7/8	2 5/16	9 1/2	18 7/16	23 3/4	111
24	600	7	24 9/16	2 7/8	11 5/8	22 9/16	28 1/8	172
28	700	9	28 3/8	3 7/8	13 15/16	26 3/4	32 5/8	219
32	800	9 1/2	32 1/2	3 15/16	15 11/16	30 5/16	36 7/8	316





Series "LSDDB" Construction

SUBMITTAL DATA SHEET ISSUE DATE: MAY 2008 REVISION DATE: MAY 2008

Construction

- 1 Dual Plates:** Dual plates provide full seal for bubble-tight shut off
- 2 Body:** Wafer type with plain face, small and light design, easy to install between different standard pipe flanges.
- 3 Body Seat:** Body seat has choice for several different elastometer compounds lining on the body to meet different application demands.
- 4 Plate Travel Stop Pin:** Made of stainless steel.
- 5 Dual Corrosion resistant Springs:** Activate the check valve plates and distribute the load force evenly across each plate, ensuring quick sure response.

Parts	Standard Material	Other Optional Material
Body	Cast Iron	Ductil Iron
Body Seat	EPDM	NBR, Viton, Neoprene
Dual Plates	Bronze	CF 8, CF 8M
Plate Travel Stop Pin	Stainless Steel	-----
Springs	Stainless Steel	-----
Body Bearing	PTFE	-----
Spring Bearing	PTFE	-----
Eye Bolt	Carbon steel	-----
Plug	Carbon Steel	-----
Hinge Pin	Stainless Steel	-----