

Flo Fab Complete Product Line

Manufacturer of Pumps, Tanks, Heat Exchangers & Accessories

Pumps
5
years
Warranty

Packages
8
years
Warranty



Tanks

Accessories

Pumps

2014 edition



www.flofab.com



HISTORY

Flo Fab was established in 1981 by Denis Gauvreau, who now has thirty-five years experience in this field. The main purpose of the company was to serve as a distributor of several different pump and HVAC accessories manufacturers. However, Flo Fab gradually dissociated itself from these manufacturers in order to offer its own line of products to the plumbing and heating contractor.

The Flo Fab product line created and developed by Denis Gauvreau and constantly being perfected by Marc Gauvreau, Michelle Gauvreau as well as by a team of professional engineers and designers, is a combination of existing designs from several renowned products, and the innovative ideas of a new generation professionals.

Through the years, Flo Fab has acquired several companies including three service centers : MÉNARD, LÉONARD ÉLECTRIQUE and PMA. However, AQUAPROFAB, another company purchased in 1999 by Flo Fab, retained its original identity since the documents allowing it to manufacture pressure vessels under the ASME code, and had already been registered under this name. Furthermore, in March 2001, Flo Fab purchased equipment, fabrication designs and patterns from IDEALCO, a manufacturer of shell and tube type heat exchangers.

The service, repairs, sales, engineering, design, production, quality control, accounting and administration departments of all the above companies share the same location. This has allowed Flo Fab to retain competent and experienced staff of professionals with varied and specialized abilities that constantly work on improving our existing products and add new ones per our customer's needs.

Flo Fab has grown quite rapidly and now consists of a wide range of products available directly from one manufacturer. This includes pumps & pump packages, tanks, heat exchangers & hydronic accessories. This allows the plumbing and heating contractor to profit from savings without compromising the quality of the products.

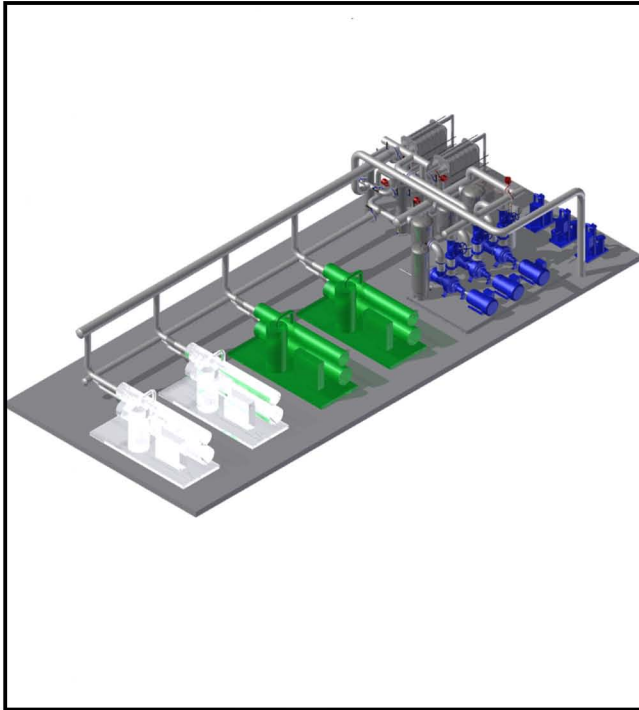
TABLE OF CONTENTS

WHAT'S NEW AT FLO FAB IN 2014	1
VERTICAL IN-LINE PUMPS	2
VERTICAL & HORIZONTAL END SUCTION CLOSED COUPLED PUMPS / VERTICAL TURBINE PUMPS ..	3
XRI SERIES XRI UNIVERSAL SINGLE SUCTION PUMPS	4, 5
HORIZONTAL BASE MOUNTED END SUCTION PUMPS	6
SPLIT CASE DOUBLE SUCTION	7
CLOSE COUPLED STAINLESS PUMPS	8
MULTISTAGE PUMPS/ COLUMN SUMPS & SEWAGE PUMPS	9
SUBMERSIBLE PUMPS	10, 11
PACKAGED SYSTEMS	12, 13
PACKAGED SYSTEMS & TANKS	14
ASME TANKS	15
ASME TANKS & SEPARATORS	16
HEAT EXCHANGERS	17
HYDRONIC ACCESSORIES	18, 19

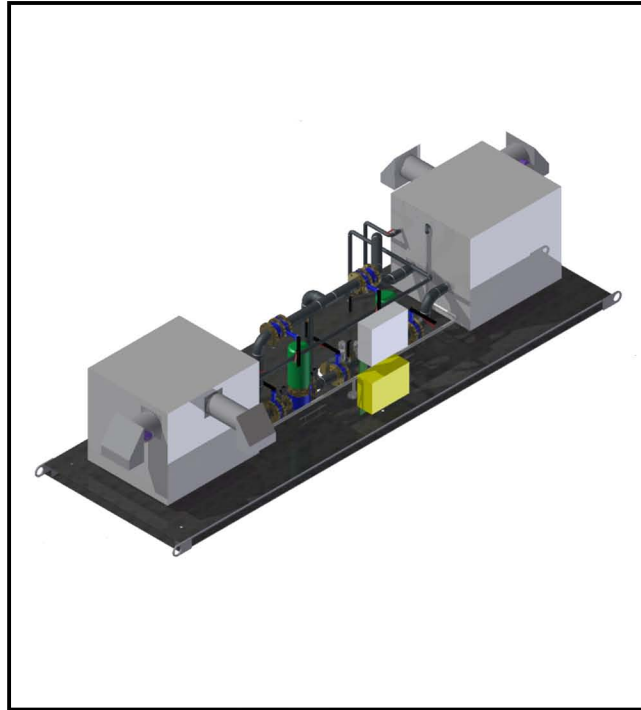




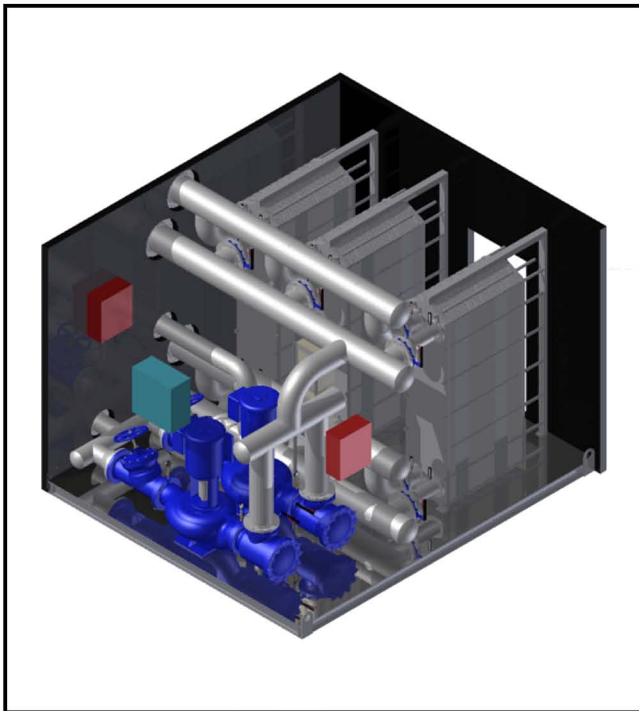
Chiller Package



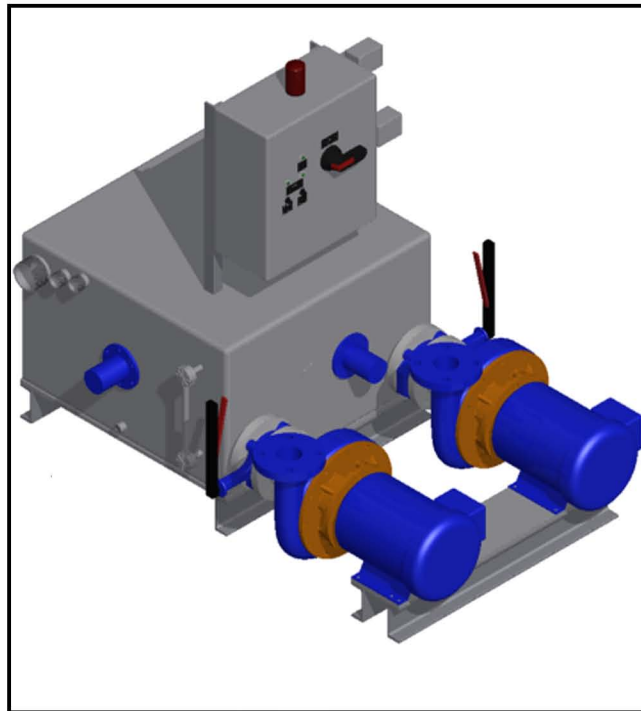
Boiler Package



Heating Cooling



Condensate



Flo Fab's Vertical In-Line Pumps

				
SERIES	500	600	SS	700
TYPE	Circulating Pump	In-Line Circulator		Vertical In-Line Centrifugal Split Coupling
CAPACITIES	up to 285 USGPM (60 /hr)	up to 290 USGPM (61 m ³ /hr)	up to 275 USGPM (82 m ³ /hr)	up to 4755 USGPM (1080 m ³ /hr)
HEAD	up to 43ft (14m)	up to 120ft (37m)	up to 190ft (58m)	up to 410ft (125m)
PRESSURE	up to 145PSI (999kpa)	up to 150PSI (1034kpa)	up to 150PSI (1034kpa)	up to 348PSI (2400kpa)
HORSEPOWER	up to 2/5HP (280KW)	up to 10HP (7.5KW)	up to 15HP (11.25KW)	up to 400HP (298KW)
DRIVES	ECM Motor Technology	56C Electric Motors	JM Electric Motors	TC Electric Motors
APPLICATIONS	Water / Water and Glycol	Water	Water and Clear Liquids	Water and Clear Liquids
TEMPERATURE	Up to 220°F (104°C)	up to 250°F (121°C)	up to 250°F (121°C)	up to 300°F (149°C)
MATERIALS OF CONSTRUCTION	Cast Iron, Bronze Fitted	Cast Iron, Bronze Fitted or All Bronze	304 Stainless Steel	Cast Iron, Bronze Fitted as Standard, Other Materials Also Available

Flo Fab's Vertical In-Line Pumps

				
SERIES	880	880RI		
TYPE	Compact In-Line Centrifugal	Vertical In-Line Centrifugal Power Frame Pump Mounted With Flexible Coupling		
CAPACITIES	up to 3000 USGPM (680 m ³ /hr)	up to 3000 USGPM (680 m ³ /hr)		
HEAD	up to 650ft (198m)	up to 650ft (198m)		
PRESSURE	up to 250PSI (1724kpa)	up to 250PSI (1724kpa)		
HORSEPOWER	up to 200HP (149KW)	up to 200HP (149KW)		
DRIVES	JM Electric Motors	HP Electric Motors		
APPLICATIONS	Water and Clear Liquids	Water and Clear Liquids		
TEMPERATURE	up to 300°F (149°C)	up to 300°F (149°C)		
MATERIALS OF CONSTRUCTION	Cast Iron, Bronze Fitted as Standard, Other Materials Also Available	Cast Iron, Bronze Fitted as Standard, Other Materials Also Available		

Flo Fab's Horizontal Base Mounted & Closed Coupled End Suction Pumps

				
SERIES	1000	2000	2196	2300 / 2600
TYPE	End Suction, Close Coupled	Radially Split Power Frame Pump Mounted With Flexible Coupling	Radially Split Power Frame Pump Mounted With Flexible Coupling	Radially Split Power Frame Pump Mounted With Flexible Coupling
CAPACITIES	up to 1900 USGPM (431 m ³ /hr)	up to 1900 USGPM (431 m ³ /hr)	up to 7000 USGPN (1589 m ³ /hr)	up to 6500 USGPM (1476 m ³ /hr)
HEAD	up to 280ft (85m)	up to 280ft (85m)	up to 700 ft (213m)	up to 700ft (213m)
PRESSURE	up to 175PSI (1206kpa)	up to 175PSI (1206kpa)with 125# flanges	up to 300 PSI (2068kpa)	up to 175PSI (1206kpa)with 125# flanges
HORSEPOWER	up to 200HP (149KW)	up to 200HP (149KW)	up to 300 HP (224KW)	up to 500HP (373KW)
DRIVES	JM Electric Motors	T Frame Electric Motors or Diesel Engines	T Frame Electric Motors or Diesel Engines	T Frame Electric Motors or Diesel Engines
APPLICATIONS	Water and Clear Liquids	Water and Clear Liquids	Water, Clear liquids and Chemicals	Water and Clear Liquids
TEMPERATURE	up to 300°F (149°C)	up to 300°F (149°C)	up to 300°F (149°C)	up to 300°F (149°C)
MATERIALS OF CONSTRUCTION	Cast Iron, Bronze Fitted as Standard, Other Materials Also Available	Cast Iron, Bronze Fitted as Standard, Other Materials Also Available	Cast Steel, Stainless Steel 304/316, Ductile Iron	Cast Iron, Bronze Fitted as Standard, Other Materials Also Available

Flo Fab's Split Case Double Suction Pumps

				
SERIES	4800U	4800L	4800H	4800V
TYPE	Single Stage, Double Suction Split Case	Single Stage, Double Suction Split Case	Horizontally Mounted Single Stage, Double Suction Split Case	Vertically Mounted Single Stage, Double Suction Split Case
CAPACITIES	up to 12000 USGPM (2725 m ³ /hr)	up to 12000 USGPM (2725 m ³ /hr)	up to 7500 USGPM (1703 m ³ /hr)	up to 12700 USGPM (2884 m ³ /hr)
HEAD	up to 750ft (227m)	up to 750ft (227m)	up to 625ft (190m)	up to 560ft (170m)
PRESSURE	up to 231PSI (1593kpa)	up to 231PSI (1593kpa)	up to 350PSI (2413kpa)	up to 365PSI (2517kpa)
HORSEPOWER	up to 800HP (597KW)	up to 800HP (597KW)	up to 600HP (447KW)	up to 800HP (597KW)
DRIVES	Electric Motors, Diesel Engines, Steam Turbines	Electric Motors, Diesel Engines, Steam Turbines	Electric Motors, Diesel Engines, Steam Turbines	Electric Motors, Diesel Engines, R.A.G.D.
APPLICATIONS	Water and Clear Liquids	Water and Clear Liquids	Water and Clear Liquids	Water and Clear Liquids
TEMPERATURE	up to 220°F (105°C)	up to 220°F (105°C)	up to 225°F (107°C)	up to 220°F (105°C)
MATERIALS OF CONSTRUCTION	Cast Iron, Bronze Fitted as Standard, Other Materials Also Available	Cast Iron, Bronze Fitted as Standard, Other Materials Also Available	Cast Iron, Bronze Fitted	Cast Iron, Bronze Fitted as Standard, Other Materials Also Available

Flo Fab's Multistage Pumps

				
SERIES	PSMCF	PSM		
TYPE	Vertical Multistage	Vertical Multistage		
CAPACITIES	up to 250 USGPM (to 56 m ³ /hr)	66 to 390 USGPM (1.3 to 89 m ³ /hr)		
HEAD	up to 930ft (283m)	up to 930ft (283m)		
PRESSURE	up to 430PSI (2964kpa)	up to 430PSI (2964kpa)		
HORSEPOWER	up to 50HP (37KW)	up to 50HP (37KW)		
DRIVES	Vertical Electrical Motor	Vertical Electrical Motor		
APPLICATIONS	Water and Clear Liquids	Water and Clear Liquids		
TEMPERATURE	5°F (-15°C) to 248°F (120°)	5°F (-15°C) to 248°F (120°)		
MATERIALS OF CONSTRUCTION	#304 Stainless Steel Optional #316 S/S	Cast Iron, Bronze Fitted as Standard, or Stainless Steel #304 & #316		

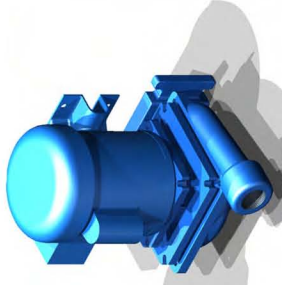
Flo Fab's Close Coupled Stainless Pumps

			
SERIES	2CDX / 2CDV	PST	PSF
TYPE	NPT Close Coupled Two Stage Centrifugal	NPT Close Coupled Centrifugal	Flanged Close Coupled Centrifugal
CAPACITIES	up to 66 USGPM (15 m ³ /hr)	up to 52 USGPM (12 m ³ /hr)	13 to 380 USGPM (3 to 86 m ³ /hr)
HEAD	up to 245ft (75m)	up to 750ft (227m)	up to 750ft (227m)
PRESSURE	up to 125PSI (862kpa)	up to 115PSI (793kpa)	up to 145PSI (1000kpa)
HORSEPOWER	up to 5HP (3.7KW)	up to 3HP (2.24KW)	up to 15HP (11KW)
DRIVES	Electric Close Coupled Motors	Electric Close Coupled Motors	Electric Close Coupled Motors
APPLICATIONS	Water and Clear Liquids	Water and Clear Liquids	Water and Clear Liquids
TEMPERATURE	up to 212°F (100°C)	up to 225°F (107°C)	up to 225°F (107°C)
MATERIALS OF CONSTRUCTION	#304 Stainless Steel	#304 Stainless Steel	#304 Stainless Steel

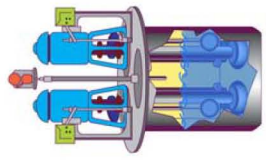
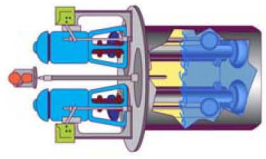




Flo Fab's Condensate & Turbine Pumps




Flo Fab's Column Sumps & Sewage Pumps



SERIES	SUP	SEP	7000
TYPE	Column Sewage	Column Sewage	Vertical Turbine Pumps
CAPACITIES	15 to 500 USGPM (3.4 to 113 m ³ /hr)	50 to 1400 USGPM (11.4 to 316 m ³ /hr)	up to 100,000 USGPM (25,000 m ³ /hr)
HEAD	up to 88ft (26.8m)	up to 120ft (36.6m)	up to 1250ft (380m)
PRESSURE			up to 250PSI (1724kpa)
HORSEPOWER	up to 20HP (15KW)	up to 40HP (30KW)	up to 900HP (671KW)
DRIVES	Vertical Electrical Motor	Vertical Electrical Motor	VTP Electric Motors
APPLICATIONS	Water and Clear Liquids	Water and Clear Liquids	Water, Raw water, Industrial processing and Clear liquids
TEMPERATURE			up to 388 F (200 C)
MATERIALS OF CONSTRUCTION	Cast Iron Standard, Other Materials Also Available	Cast Iron Standard, Other Materials Also Available	Cast Iron, Bronze Fitted as Standard, Other Materials Also Available



	<p>Series</p>	<p>XRI</p>
<p>Type</p>	<p>Universal 10 position Vertical / Horizontal Centrifugal pump with removable impeller</p>	
<p>Capacities</p>	<p>up to 15,850 USGPM (3600 m³/hr)</p>	
<p>Head</p>	<p>up to 655ft (200m)</p>	
<p>Pressure</p>	<p>up to 250PSI (1724kpa)</p>	
<p>Horsepower</p>	<p>up to 500HP (372KW)</p>	
<p>Drives</p>	<p>TC Electric Motors</p>	
<p>Applications</p>	<p>Water and Clear Liquids</p>	
<p>Temperature</p>	<p>up to 300 °F(149 °C)</p>	
<p>Materials of construction</p>	<p>Cast Iron, Bronze Fitted as Standard, Other Materials also available</p>	

Vertical Position



Motor

Construction of series XRI



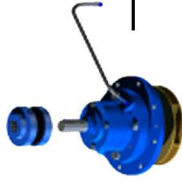
Grout
Not required



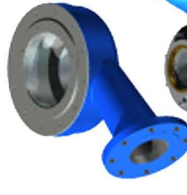
Motor Bracket



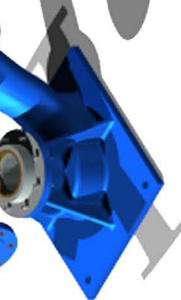
Alignment
Not required



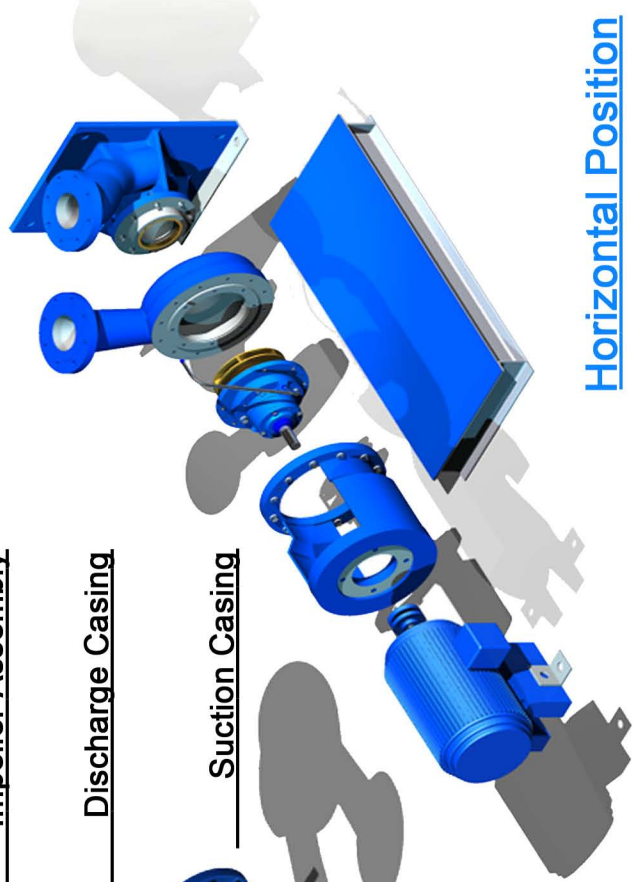
Impeller Assembly



Discharge Casing

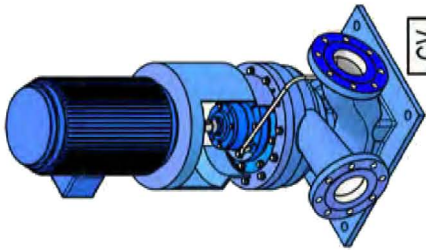


Suction Casing



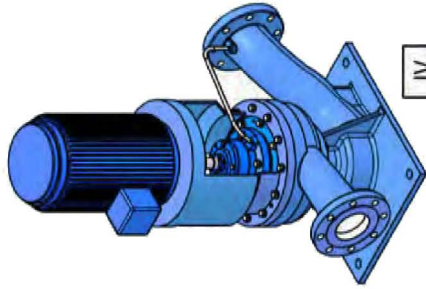
Horizontal Position

Series XRI Various Configurations



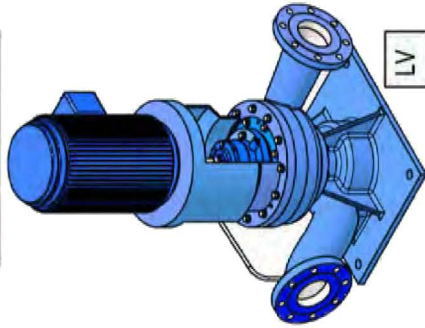
CV

CROSSED VERTICAL



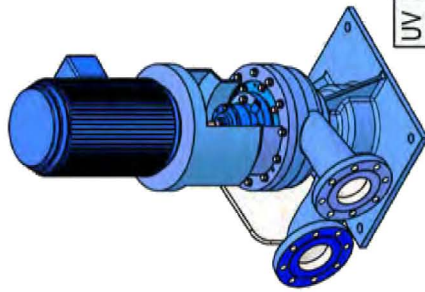
IV

INLINE VERTICAL



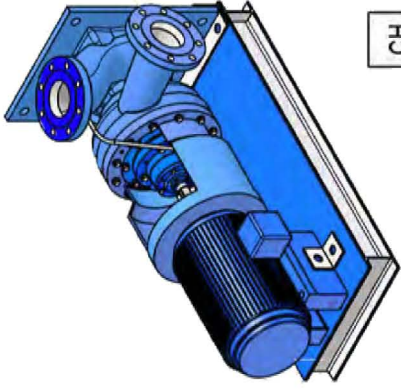
LV

L-SHAPED VERTICAL



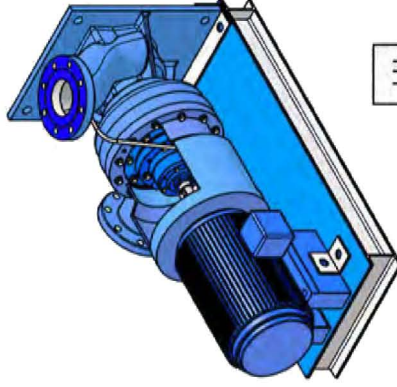
UV

U-SHAPED VERTICAL



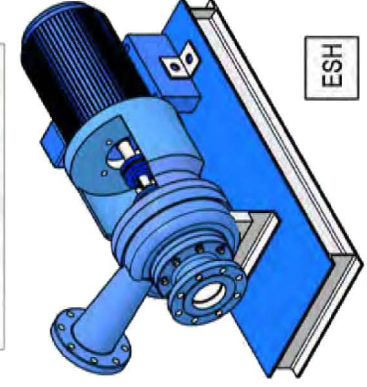
CH

CROSSED HORIZONTAL



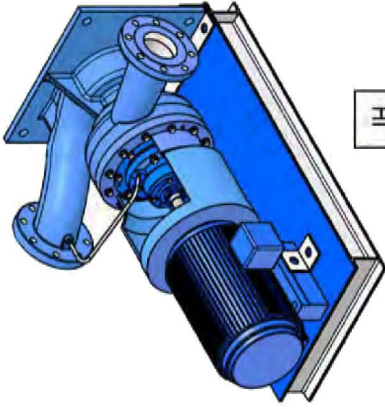
LH

L-SHAPED HORIZONTAL



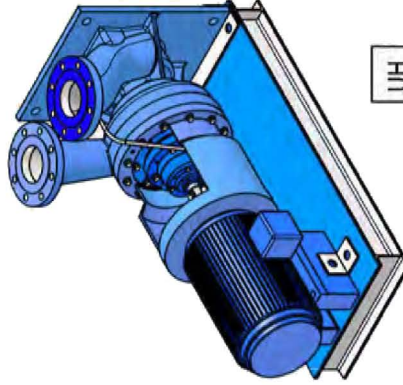
ESH

END SUCTION HORIZONTAL



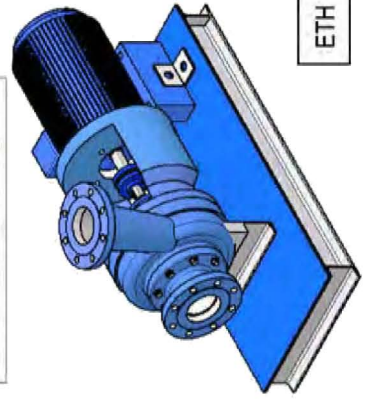
IH

INLINE HORIZONTAL



UH

U-SHAPED HORIZONTAL




ETH

END SUCTION TOP HORIZONTAL

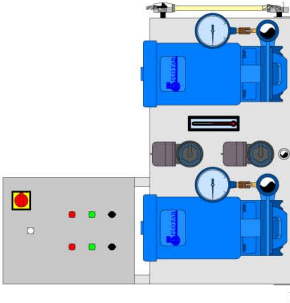
Flo Fab's Submersible Pumps

					
SERIES	LB-25, 40, 75, 215 & 315	FS-237, 337 & 437 250 355/455 475/675 4110/6110	LBV-40	LBV-75, 215 & 315	LBK-75 & 315
TYPE	Effluent Pump	Multi-Purpose Drainage Pump	Effluent & Sewage Vortex Pump	Effluent & Sewage Vortex Pump	Effluent Sewage Non-Clog Pump
CAPACITIES	up to 175 USGPM (40 m ³ /hr)	up to 660 USGPM (150 m ³ /hr)	up to 159 USGPM (36 m ³ /hr)	up to 185 USGPM (42 m ³ /hr)	
HEAD	8 to 72ft (2.4 to 21.5m)	10 to 163ft (3 to 49m)	4 to 59ft (1.2 to 18m)	10 to 59ft (3 to 18m)	
PRESSURE	3/8" (9mm)	3/4" (19mm)	3/4" (19mm) 2" (50mm)	3/4" (19mm) 2" (50mm)	
HORSEPOWER	up to 1HP (0.75KW)	up to 15HP (11KW)	up to 1HP (0.75KW)	up to 1HP (0.75KW)	
DRIVES	Air Filled Electrical Motor	Air Filled Electrical Motor	Air Filled Electrical Motor	Air Filled Electrical Motor	
APPLICATIONS	Water	Water	Water, Sewage & Waste Liquids	Water	Water & Waste Liquids
TEMPERATURE	up to 104°F (40°C)	up to 104°F (40°C)	up to 104°F (40°C)	up to 104°F (40°C)	
MATERIALS OF CONSTRUCTION	Cast Iron	Cast Iron and Stainless Steel	Cast Iron	Cast Iron	Cast Iron

Flo Fab's Submersible Pumps

				
SERIES	FBV-322	FGC-015 / FGC-022		
	FBV-337 & 437	FGC-037 / FGC-055		
TYPE	Sewage Vortex Pump	Sewage Grinder Pump	Break-Away Fitting	Simplex, Duplex or Triplex
CAPACITIES	up to 317 USGPM (72 m ³ /hr)	up to 61 USGPM (14 m ³ /hr)		
HEAD	8 to 66ft (2,4 to 20m)	17 to 105ft (5,2 to 32m)		
	2" (50mm)	3/4" (19mm)		
PRESSURE	3" (80mm)			
HORSEPOWER	up to 3HP (2,2KW)	up to 3HP (2,2KW)		
DRIVES	Air Filled Electrical Motor	Air Filled Electrical Motor		Constant or Variable Speed
APPLICATIONS	Water, Sewage & Waste Liquids	Water, Sewage & Waste Liquids		
TEMPERATURE	up to 104°F (40°C)	up to 104°F (40°C)		
MATERIALS OF CONSTRUCTION	Cast Iron	Cast Iron	Cast Iron	Stainless Steel, Steel, PVC or Aluminium

Flo Fab's Packaged Systems

				
SERIES	S-CVC D-CVC	S-FOM D-FOM Q-FOM	S-GLY D-GLY T-GLY	S-CPS-HT / -D-CPS-HT T-CPS-HT
TYPE	Condensate Unit Duplex Model Shown	Fuel Oil System Duplex Model Shown	Glycol System Simplex Model Shown	Constant Pressure System Simplex Model Shown
CAPACITIES	up to 150 USGPM (34 m ³ /hr)	up to 13.7 USGPM (3,1 m ³ /hr)	up top 316 USGPM (71 m ³ /hr)	up to 2000 USGPM (454 m ³ /hr)
HEAD	up to 115ft (35m)	up to 692ft (300PSI) (211m)	up to 461ft (200PSI) (140m)	up to 692ft (300PSI) (211m)
PRESSURE	up to 50PSI (345kpa)	up to 300PSI (2069kpa)	up to 250PSI (1724kpa)	up to 300PSI (2069kpa)
HORSEPOWER	up to 5HP (3.7KW)	up to 5HP (3.7KW)	up to 3/4HP (0,56KW)	up to 100HP (75KW)
DRIVES	Closed Coupled Electrical Motors	Electrical Motors	Electrical Motors	Electrical Motors
APPLICATIONS	Clean, Clear Condensate or Boiler Feed Water	Light Fuel Oil	Water / Glycol	Hot / Cold Water
TEMPERATURE	up to 200°F (93°C)	up to 150°F (65°C)	up to 180°F (82°C)	up to 200°F (93°C)
MATERIALS OF CONSTRUCTION	Cast Iron, Bronze Fitted	Bronze / Stainless Steel or Cast Iron	Bronze / Stainless Steel	Bronze / Stainless Steel or Cast Iron


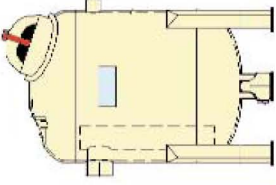
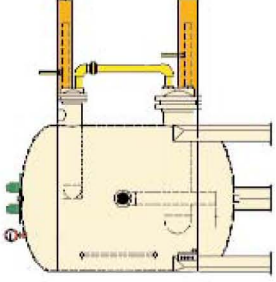
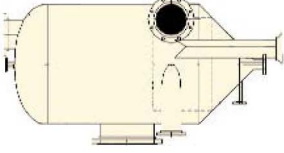
Flo Fab's Packaged Systems

				
SERIES	S-CPS-1000 Simplex D-CPS-1000 Duplex T-CPS-1000 Triplex	S-CPS-880RI Simplex D-CPS-880RI Duplex T-CPS-880RI Triplex	C-CPS-I (Simplex Only)	C-CPS-II (Simplex Only)
TYPE	Closed Coupled Pump (Duplex Model Shown)	Vertical In-Line (Simplex Model Shown)	Closed Coupled	Closed Coupled
CAPACITIES	up to 1600 USGPM (363 m ³ /hr)	up to 2000 USGPM (454 m ³ /hr)	up to 27 USGPM (6 m ³ /hr)	up to 150 USGPM (34 m ³ /hr)
HEAD	up to 450ft (137m)	up to 650ft (198m)	up to 115ft (35m)	up to 230ft (70m)
PRESSURE	up to 200PSI (1380kpa)	up to 300PSI (2069kpa)	up to 50PSI (345kpa)	up to 100PSI (690kpa)
HORSEPOWER	up to 90HP (66KW)	up to 120HP (88KW)	up to 0.75HP (0.57KW)	up to 15HP (11KW)
DRIVES	Electric Motors	Electric Motors	Electric Motors	Electric Motors
APPLICATIONS	Water	Water	Water	Water
TEMPERATURE	up to 250°F (121°C)	up to 250°F (121°C)	up to 250°F (121°C)	up to 250°F (121°C)
MATERIALS OF CONSTRUCTION	Cast Iron Bronze Fitted or All Stainless Steel	Cast Iron Bronze Fitted or All Stainless Steel	All Stainless Steel With Polycarbon Impeller, Noryl Nylon Interior	Cast Iron, Bronze Fitted

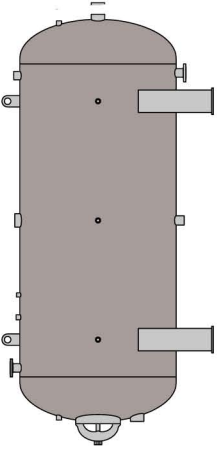
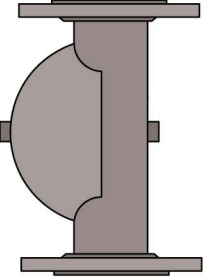
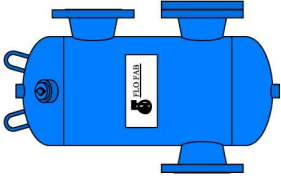
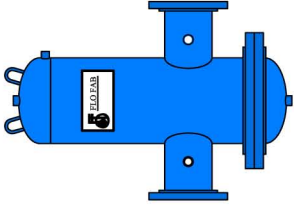
Flo Fab's Packaged Systems & Tanks

				
SERIES	S-BFCE D-BFCE	S-BFC D-BFC	BT	2000
TYPE	Elevated Boiler Feed	Boiler Feed	Replaceable Bladder Expansion Tank <small>(With Bottom System Connections)</small>	Fixed Bladder Expansion Tank
CAPACITIES	50 to 210 Gallons (189 to 795 liters)	50 to 210 Gallons (189 to 795 liters)	3 to 1321 Gallons (11 to 5000 liters)	2 to 132 Gallons (8 to 528 Liters)
HEAD				
PRESSURE	Atmospheric	Atmospheric	up to 250PSI (1724kPa)	up to 150PSI (1034kPa)
HORSEPOWER				
DRIVES				
APPLICATIONS				
TEMPERATURE	up to 550°F (288°C)	up to 550°F (288°C)	up to 240°F (115°C)	up to 200°F (93°C)
MATERIALS OF CONSTRUCTION	Carbon Steel, Stainless Steel	Carbon Steel, Stainless Steel	Carbon Steel, EPDM	Carbon Steel, Butyl

Flo Fab's ASME Tanks

				
SERIES	CUS	BLO	BLO-EH	RSP
TYPE	Plain Steel Expansion Tank (Without Bladder)	Blow Off Tank	Blow Off Tank With Heat Exchanger	Custom Tank Special
CAPACITIES	16 to 2000 Gallons (61 to 7571 liters)	up to 1200 HP Boiler	up to 1200 HP Boiler	up to 15000 Gallons (56781 Liters)
HEAD				
PRESSURE	up to 125PSI (862kPa)	50 up to 100PSI (345 up to 690kPa)	50 up to 100PSI (345 up to 690kPa)	up to 250PSI (1724kPa)
HORSEPOWER				
DRIVES				
APPLICATIONS				
TEMPERATURE	up to 240°F (115°C)	up to 550°F (288°C)	up to 550°F (288°C)	up to 550°F (288°C)
MATERIALS OF CONSTRUCTION	Carbon Steel, Stainless Steel	Carbon Steel, Stainless Steel	Carbon Steel, Stainless Steel	Carbon Steel, Stainless Steel

Flo Fab's ASME Tanks & Air Separators

						
SERIES	RLU	RWU	RSE	PUR	SEP	ADSR / ADSF
TYPE	Hot Water Storage Tank With heater	Hot Water Storage Tank Less heater	Hot Water Storage Tank	In-line Air Purger	In-Line Air Separator (With or Without Strainer)	In-Line Air/Dirt Separator (With or Without Strainer)
CAPACITIES	100 to 15000 Gallons (379 to 56781 liters)					
HEAD				2" to 36" Diameter (50mm to 914mm)	2" to 36" Diameter (50mm to 914mm)	2" to 36" Diameter (50mm to 914mm)
PRESSURE		up to 250PSI (1724kPa)		up to 150PSI (1034kPa)	up to 150PSI (1034kPa)	up to 150PSI (1034kPa)
HORSEPOWER						
DRIVES						
APPLICATIONS						
TEMPERATURE		up to 550°F (288°C)		up to 550°F (288°C)	up to 240°F (115°C)	up to 240°F (115°C)
MATERIALS OF CONSTRUCTION		Carbon Steel, Stainless Steel		Carbon Steel, Stainless Steel	Carbon Steel, Stainless Steel	Carbon Steel, Stainless Steel

Flo Fab's Heat Exchangers



SERIES	"W"	"S"	"FF"
TYPE	Water to Water Glycol to Water	Steam to Water	Water to Water Steam to Water Glycol to Water
CAPACITIES	up to 3000 USGPM up to 150 lbs Steam	up to 3000 USGPM up to 150 lbs Steam	up to 4000 USGPM up to 150 lbs Steam
HEAD			
PRESSURE	150 lbs 250 lbs Also Available		150 lbs
HORSEPOWER			
DRIVES			
APPLICATIONS	Water, Glycol or Steam	Water, Glycol or Steam	Water, Glycol or Steam
TEMPERATURE	up to 300°F (144°C)	up to 300°F (144°C)	up to 300°F (144°C)
MATERIALS OF CONSTRUCTION	Car on Stee or Stainless Steel with Stainless Steel Tubes	Car on Stee or Stainless Steel with Stainless Steel Tubes	Car on Stee , Titanium an Stainless Steel. Others Materials available



Hydronic Accessories

AIR VENT - MV

Materials: Brass
Pressure: MV15 150 PSIG at 345°F
MV15 300 PSIG at 400°F
Size Range: 3/4"
Connections: Threaded



*Other sizes and construction material available

AIR VENT - AA

Materials: Brass
Pressure: 150 PSIG at 200°F
Size Range: 1/8" and 1/4"
Connections: Threaded



*Other sizes and construction material available

Butterfly Valves

BUTTERFLY VALVE - BFVZ - L

Materials: Cast Iron Body, Stainless Steel Disc,
EPDM Seat
Pressure: 175 PSIG at 225°F up to 12"
150 PSIG at 250°F
from 14" to 24"
Size Range: 2" to 24"
Body Style: Lug



*Other sizes and construction material available

CHECK VALVE - LSDDB

Materials: Cast Iron, Bronze Disc
Pressure: 200 PSIG at 250°F from 2" to 18" 200lbs
200 PSIG at 250°F from 20" to 32" 150lbs
Size Range: 2" to 32"
Body Style: Wafer



*Other sizes and construction material available

Balancing Valves & Multifunction Valves

PRESSURE AND/OR TEMPERATURE PORTS

Materials: Bronze
Pressure: 1000 PSIG at 140°F
Size Range: 1/4"
Connections: SS2501: Threaded
SS2511: Threaded Extended



*Other sizes and construction material available

MULTIFUNCTION VALVE - MFV

Materials: Ductile Iron and Stainless Steel Disc
Pressure: 150 PSIG at 225°F
Size Range: 2" to 18"
Connections: MFV-F: Flanged
MFV-G: Grooved



*Option 175lbs W.P.
Connection Q2501 Model is standard

Strainers

LCTY

Materials: Cast Iron Body with Stainless Steel Screen
 Pressure: 400 PSIG at 150°F with water
 250 PSIG at 406°F with steam
 Size Range: 1/2" to 2"
 Connections: Threaded



LYF

Materials: Cast Iron Body with Stainless Steel Screen
 Pressure: 150 PSIG at 450°F with water
 200 PSIG at 150°F with steam
 Size Range: 2" to 16"
 Connections: Flanged



*Larger Size Available
 *Other sizes and construction material available

ASDFF

Materials: Cast Iron Body with Stainless Steel Screen
 Pressure: 175 PSIG at 250°F with water
 200 PSIG at 150°F with steam
 Size Range: 2" to 20"
 Connections: Flanged



*Other sizes and construction material available

Flexibles

ST

Materials: Steel and Stainless Steel
 Pressure: 475 PSIG at 850°F with water
 Size Range: 1/2" to 2"
 Connections: Threaded



SM

Materials: Steel and Stainless Steel
 Pressure: 125 PSIG at 450°F with water
 Size Range: 2" to 16"
 Connections: Flanged



DUT

Materials: Steel Union and EPDM
 Pressure: 214 PSIG at 250°F with water
 Size Range: 1/2" to 12"
 Connections: Threaded double

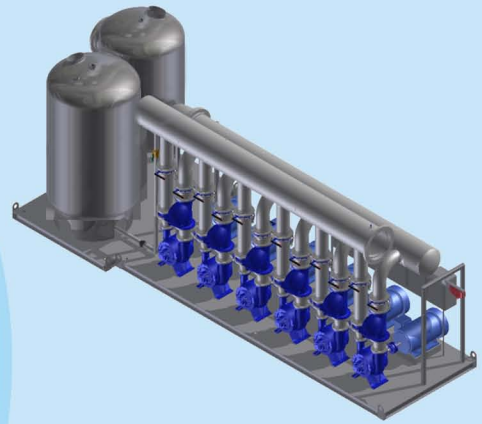
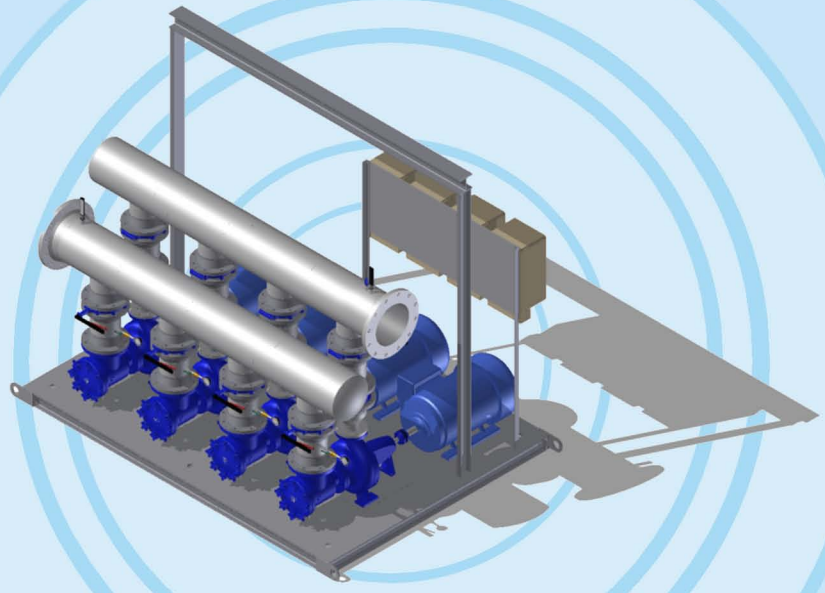
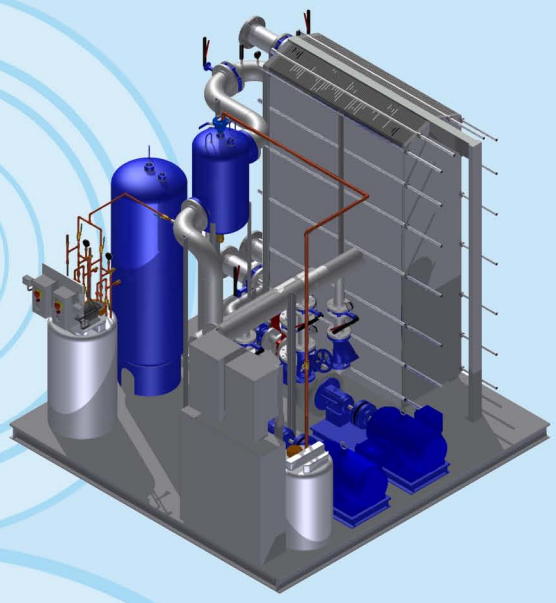
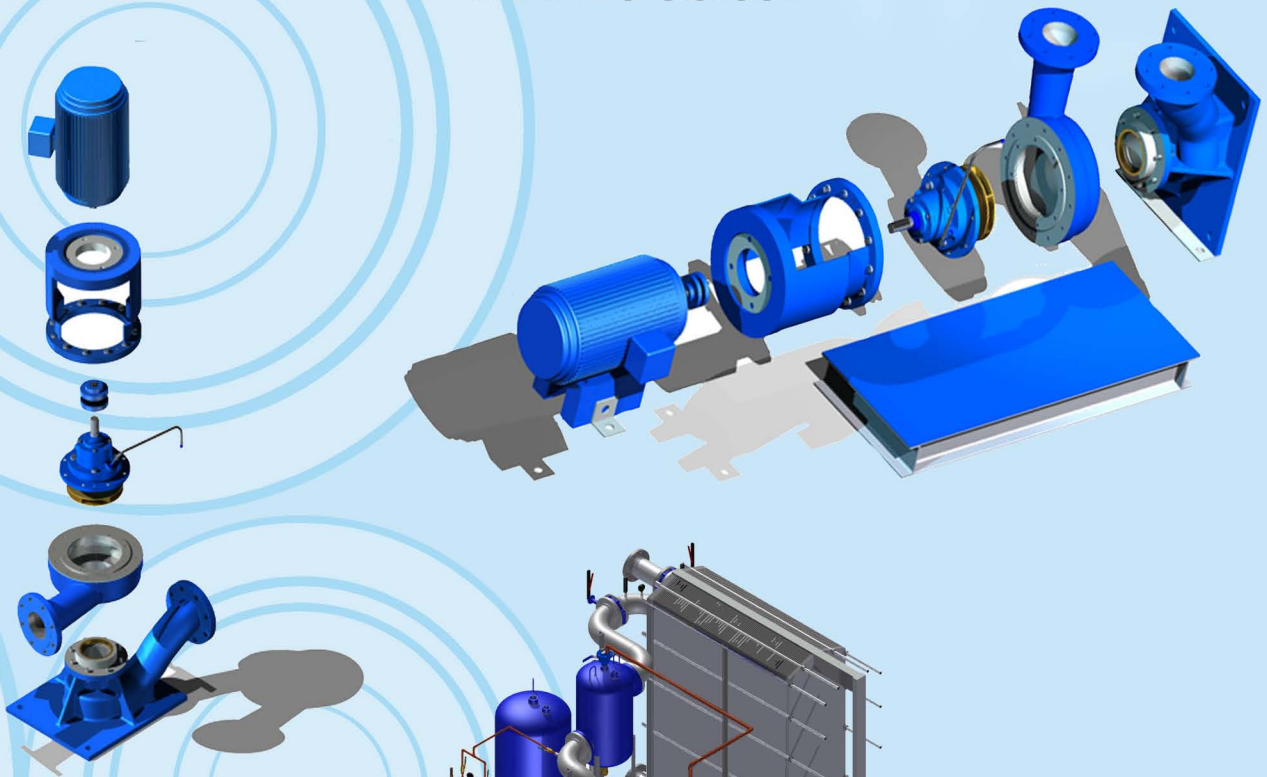


SSP & DSP

Materials: Steel Flanged and EPDM
 Pressure: 214 PSIG at 240°F with water
 Size Range: 1 1/2" to 14"
 Connections: SSP Flanged Single
 DSP Flanged Double



Lunch and Learn presentations are available, call your local rep
www.flofab.com





Proud pumps supplier for the New World Trade Center towers in New York

We are also a proud supplier for the following completed and ongoing projects:



James Haley VA Hospital

Tampa, Florida
www.tampa.va.gov
 Eng: IC Thomasson Association Incorporated

Morton Plant North Bay Hospital

New Port Richey, Florida
www.mortonplant.com
 Eng: IC Thomasson Association Incorporated



Palm Beach Gardens Medical Center - ER Expansion

Palm Beach Gardens, Florida
www.pbgmc.com
 Eng: IC Thomasson Association Incorporated

Museum of Science and Industry

Tampa, Florida
www.mosi.org
 Eng: Advanced Systems Engineering



St-Joseph's Women's Hospital

Tampa, Florida
www.sjbhealth.org
 Eng: Smith, Seckman, Reid Engineering

Flo Fab Inc.

USA

Lake Worth
 Florida
 USA
 33467-5749

CANADA

860 Industriel Blvd
 Bois-des-filion, Quebec
 J6Z 4V7
 Canada
 Tel.: (450) 621-2995
 Fax: (450) 621-4995