



# PACKAGE CATALOGUE

**Manufacturer of Pumps, Tanks, Heat Exchangers & Accessories**

**DOMESTIC PUMP SYSTEM**

**HYDRONIC COOLING PUMP SYSTEM**

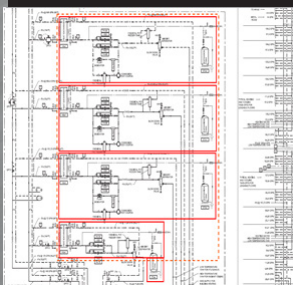
**HYDRONIC HEATING PUMP SYSTEM**



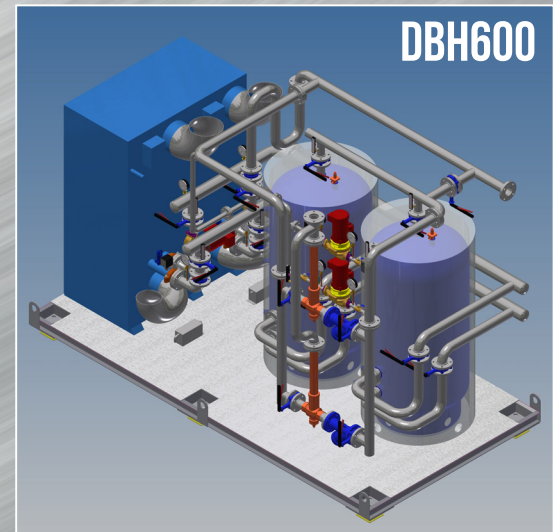
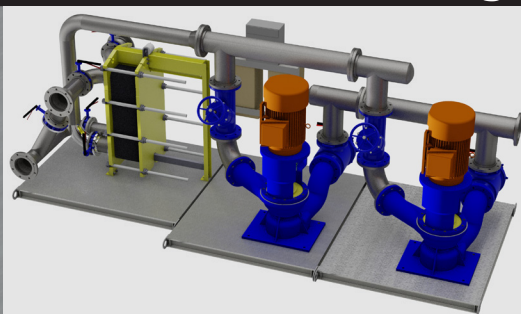
**Production:**



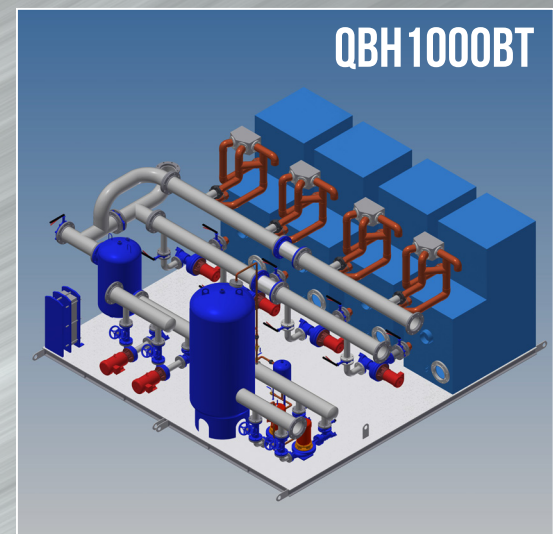
**Mechanical Room PID:**



**PreFab Skids Package:**



**DBH600**



**QBH1000BT**

[www.flofab.com](http://www.flofab.com)

003-cat-2018-pack

# Quotation Requirements for Skid Package



## What do we need

- 1.1 System PID
- 1.2 Pumps, Tanks and Heat Exchangers Schedule
- 1.3 Cut sheets for non Flo Fab parts, e.g. Boilers, Chillers, etc.
- 1.4 Skids footprint
- 1.5 Mechanical room footprint
- 1.6 Details sequence of control

## Quality Control

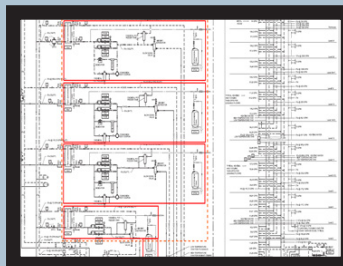
All pumps are factory tested and a certified performance test is available when requested by the consultant. Test facilities up to 400 HP with 27,000 gallons test bench with calibrated instruments.



## Skid Advantages

- Solution for both: New construction and Retrofit.
- Easily add more modules for future expansion.
- One single point of Responsibility / Contact .
- One single submittal for approval Vs. Individual submittals for each component.
- Financial: Cost reduction, Effectively reduce the total cost of ownership for all project stakeholders (Contractor / Consultant Engineer / End User)
- Financial: Space saving due to optimized space utilisation.
- Financial: Time (Cost) saving : Skid built in parallel during building construction, also .
- Financial: Cash flow management: One single invoice / payment for all works
- Financial: Overhead saving including project management, logistical

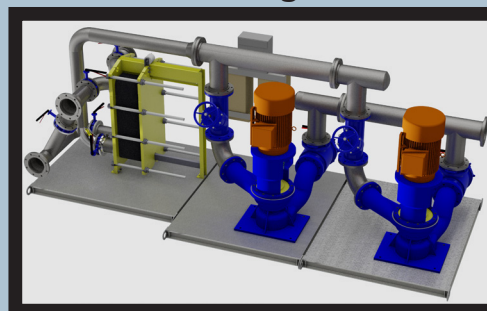
PID:



Production:



Package:



### 2.1 Heating and Cooling Systems

2.2 Module HC will be composed of two pumps, control panel VFD, expansion tank, air separator, chemical pot Feeder, and glycol fill system (optional), balancing valves, isolation valves, air vents and drain connections, multifunction valves, suction diffusers or Y strainers, interconnecting black steel schedule 40 piping. All package components are mounted on a structural steel base with lifting lugs.

### SPECS example:

Product	Product Type	Section(s)	Date Submitted	Status	
XRI	Separately Coupled, Horizontally Mounted, In-Line Centrifugal Pumps	232123-HYDRONIC PUMPS	1/5/2016	Submitted	<a href="#">View Details</a>
880RI	Separately Coupled, Vertically Mounted, In-Line Centrifugal Pumps	232123-HYDRONIC PUMPS	1/5/2016	Submitted	<a href="#">View Details</a>
2000	Separately Coupled, Base-Mounted, End-Suction Centrifugal Pumps	232123-HYDRONIC PUMPS	1/5/2016	Submitted	<a href="#">View Details</a>

- coordination, insurance expense, etc.
- Financial: No surplus or extra components left after fabrication by the contractor.
- Time (Cost) saving: No construction delay due to missing one single component order, wrong delivery or defective component.
- Quality: Assembly within controlled environment by certified technicians / welders using approved work methods / procedures.
- Quality / Financial: Factory wired and tested = site plug & play
- Safety: Avoid unpleasant site safety incidents and lost days as we tremendously minimize job site man-hours.





## Traditional Method



## Prefab Method Prefab Site



**Better  
Quality**

**Safety**

**Production  
Efficiency**

**Controlled  
Environment**

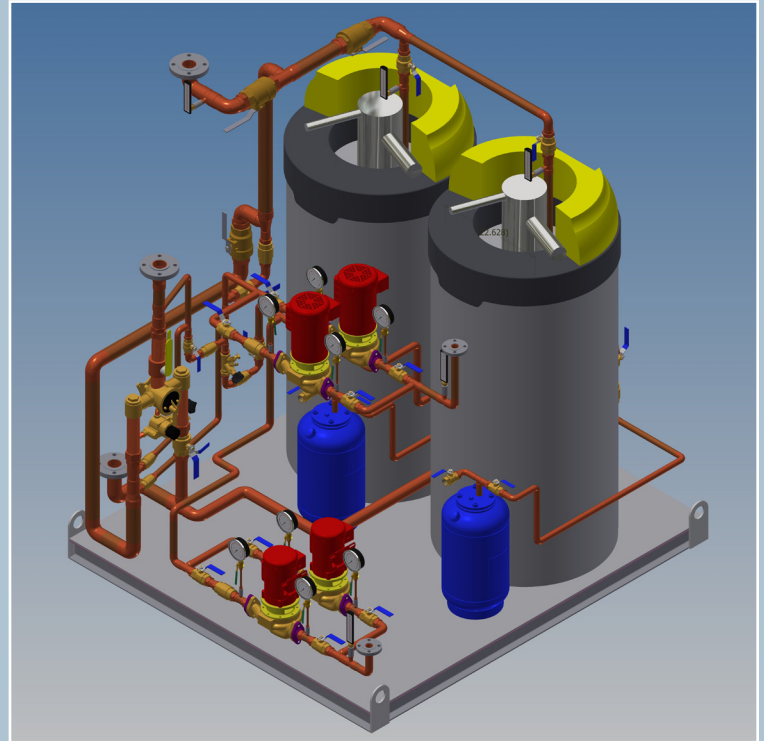
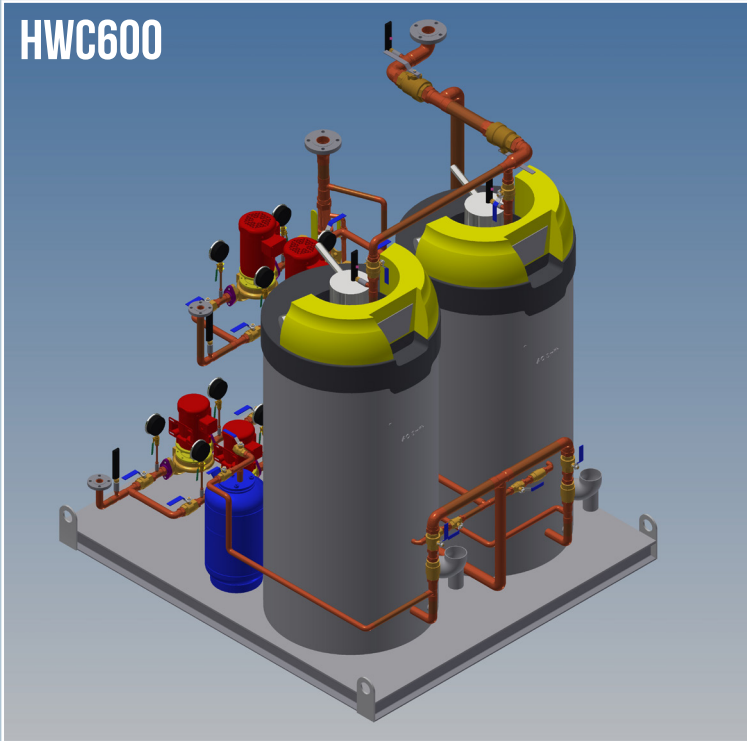
**Smoother  
Process  
Under a  
Roof**

**Less Cost  
Involved**





HWC600



DOMESTIC HOT WATER  
TECHNICAL DATA

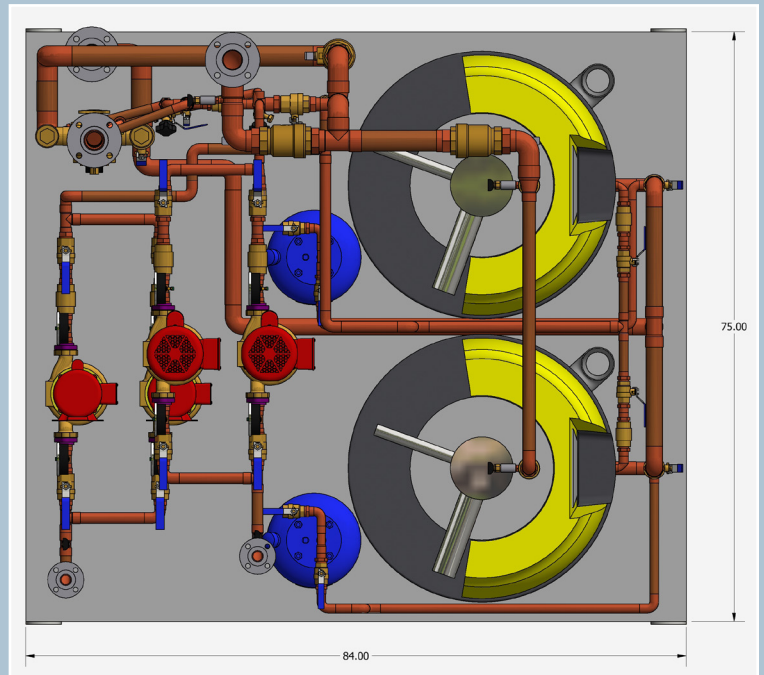
Two Water Gas Heaters

Capacity  
119 GAL.

Input  
500 KBTU/hr  
(each)

Quadruplex Pump  
Model 600

Mixing Valves



DESIGNED WITH:



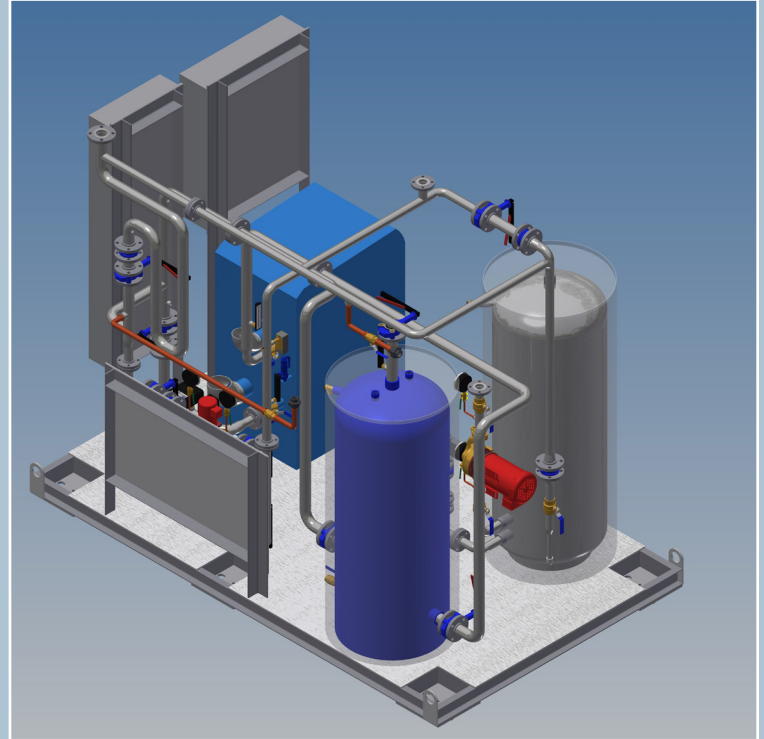
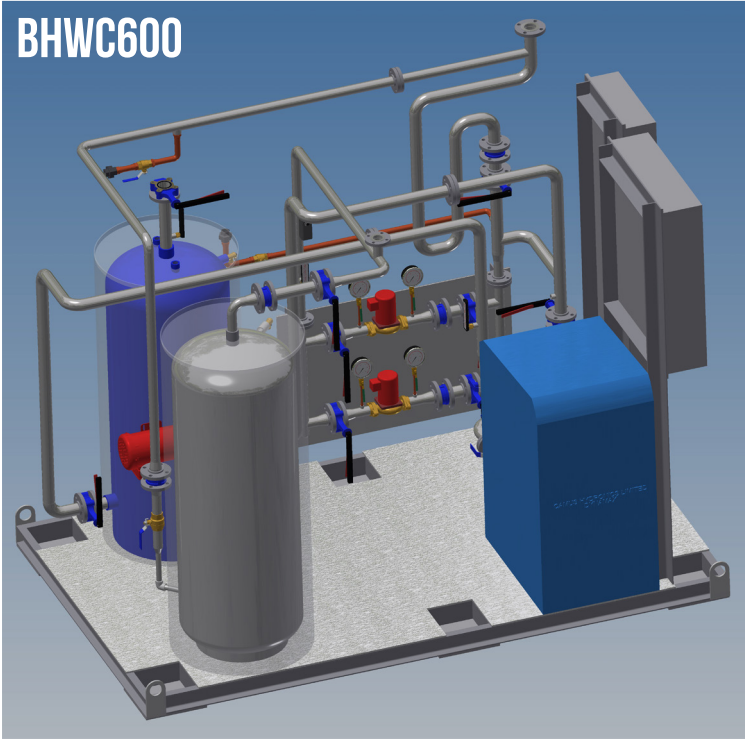
Other 3D files format available



**POD HOTEL**  
**CASE STUDIES PROJECTS**

**DOMESTIC**  
**PUMP SYSTEM**

**BHWC600**



**DOMESTIC HOT WATER FOR A KITCHEN HOTEL**  
**TECHNICAL DATA**

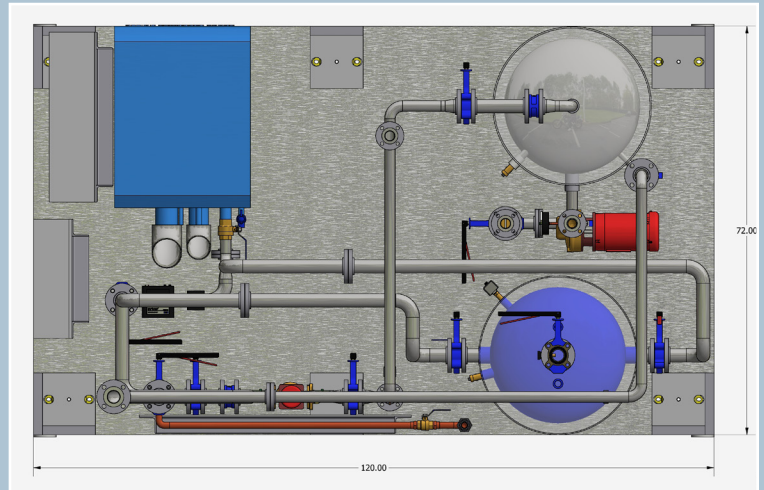
Heating Boiler

Output  
 470 MBTU/hr

Storage Tank  
 Capacity  
 120 GAL.

Circulating Pump  
 Model 600

Heating Tank  
 for return water  
 Capacity  
 120 GAL

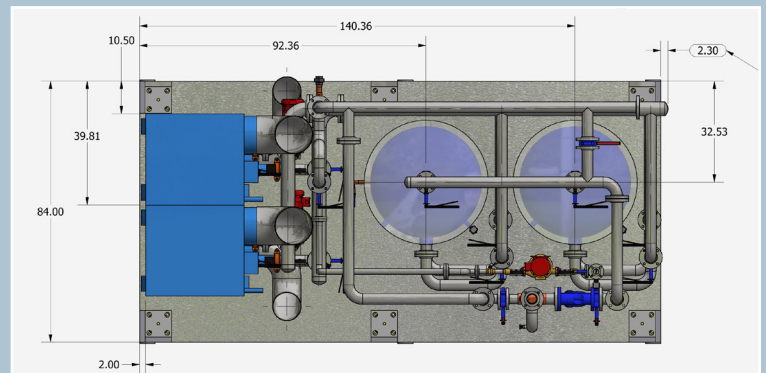
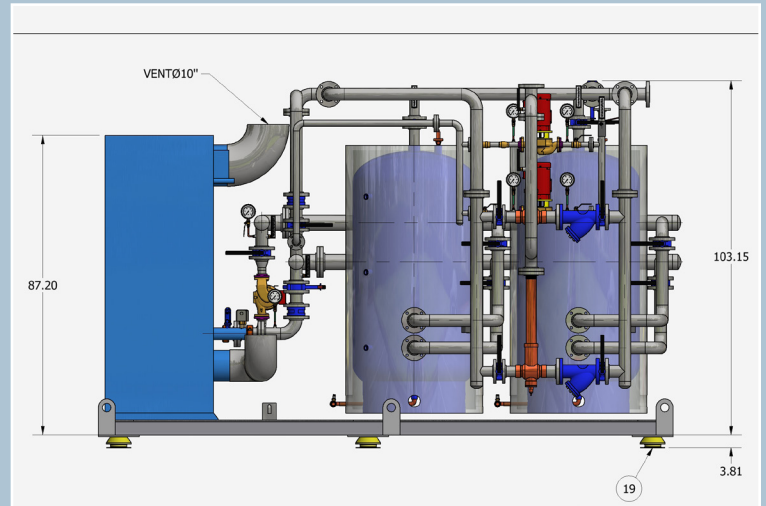
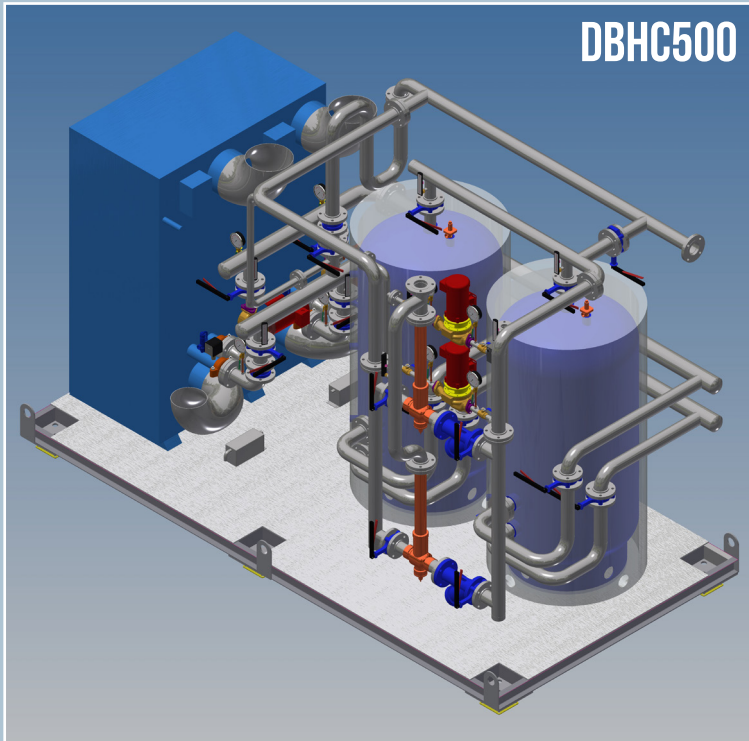


DESIGNED WITH:



Other 3D files format available





DOMESTIC HOT WATER SUPPLY  
TECHNICAL DATA

Two Storage Tanks (each pump)

Capacity  
300 GAL.

Two Gas Fired Boilers (each)  
2500 MBTU/hr

Circulating Pump  
Model 600

Mixing Valve



DESIGNED WITH:



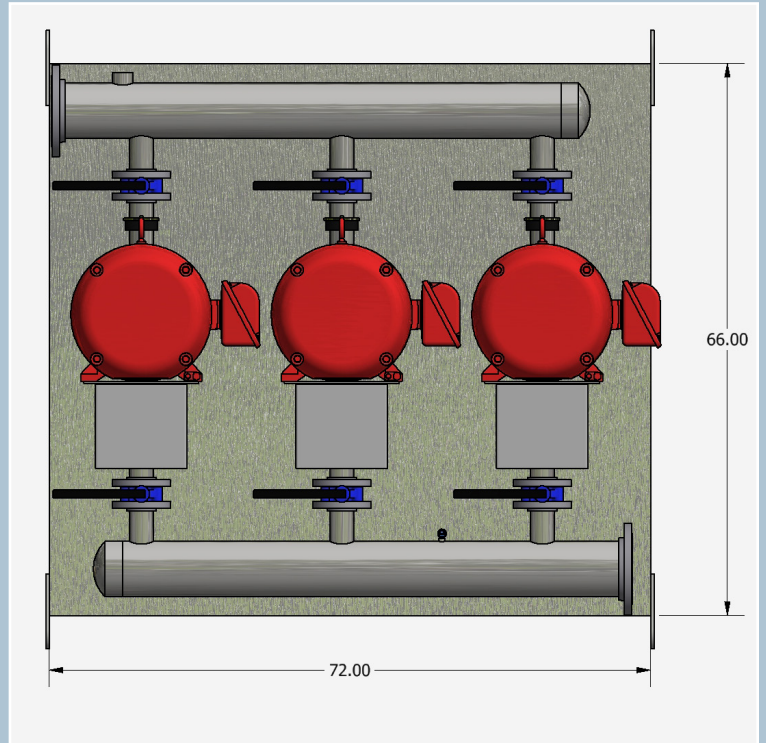
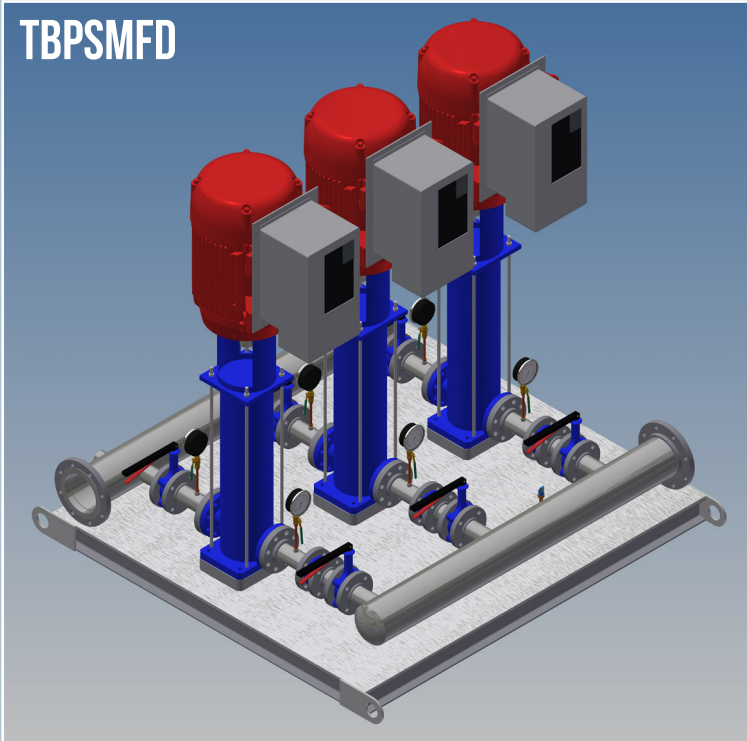
Other 3D files format available



**THE EXCHANGE TOWER  
CASE STUDIES PROJECTS**

**DOMESTIC  
PUMP SYSTEM**

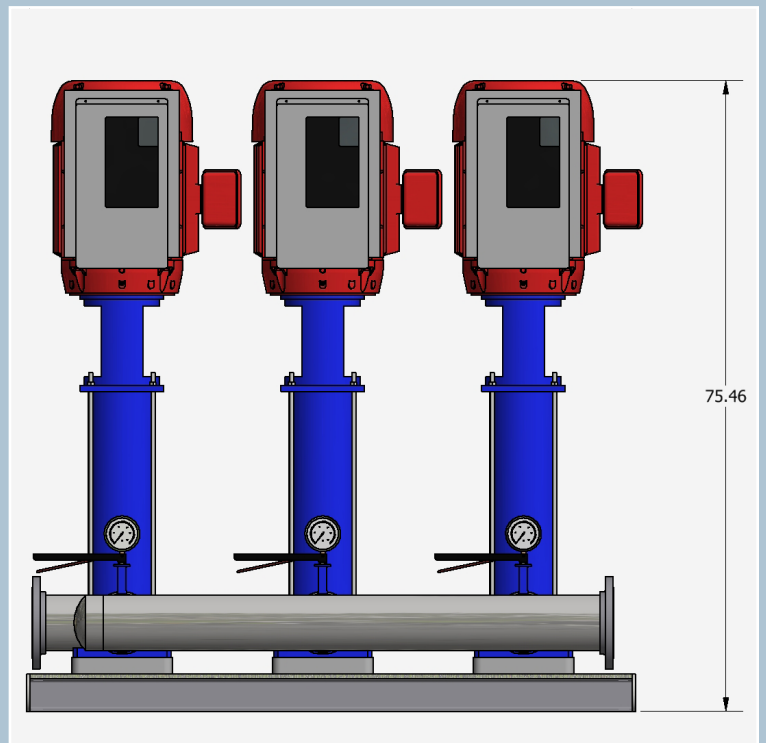
**TBPSMFD**



**TRIPLEX BOOSTER PUMP SKID  
TECHNICAL DATA**

Multi-stage Pump with VFD  
Model PSM32-801

Capacity (each pump)  
121 GPM  
570 Ft. head



DESIGNED WITH:



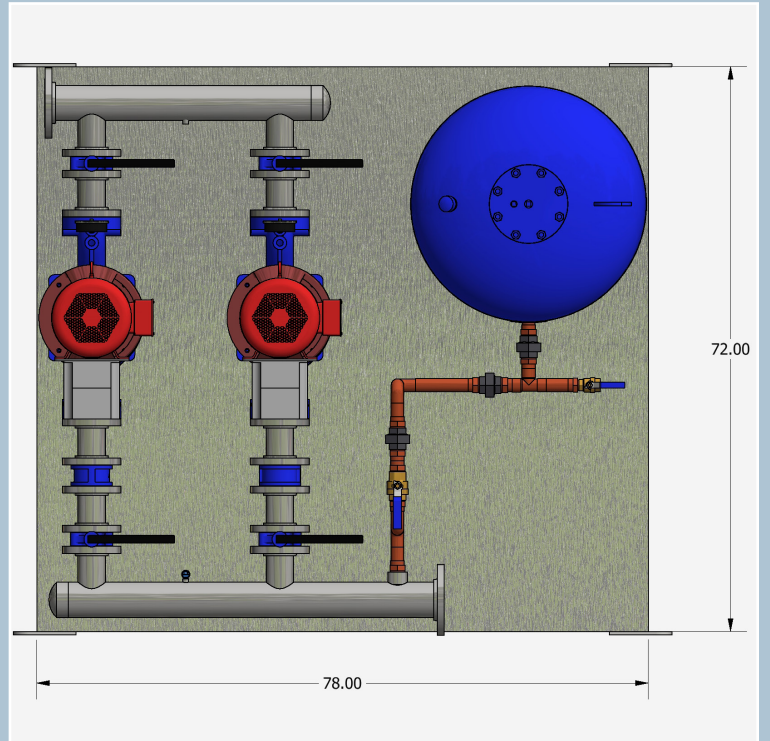
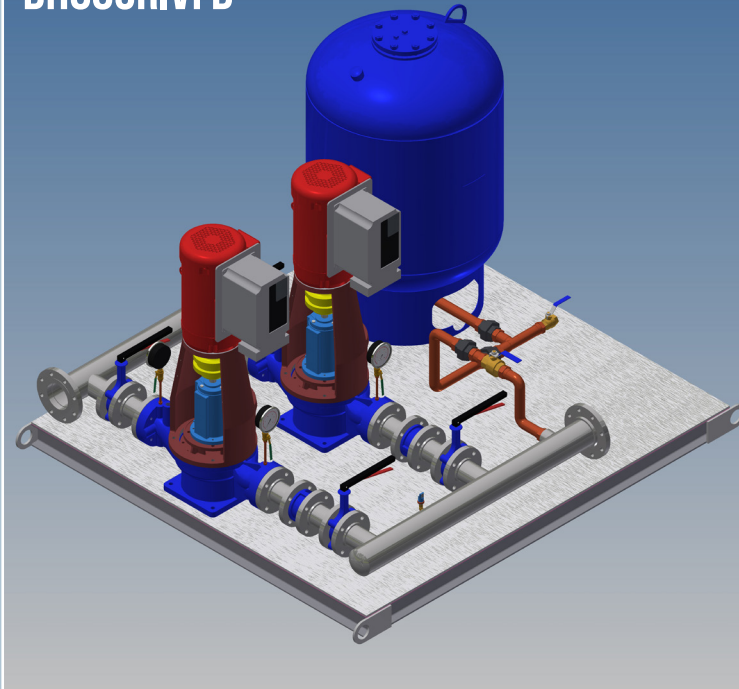
Other 3D files format available



ARRONDISSEMENT 21  
CASE STUDIES PROJECTS

DOMESTIC  
PUMP SYSTEM

DH880RIVFD

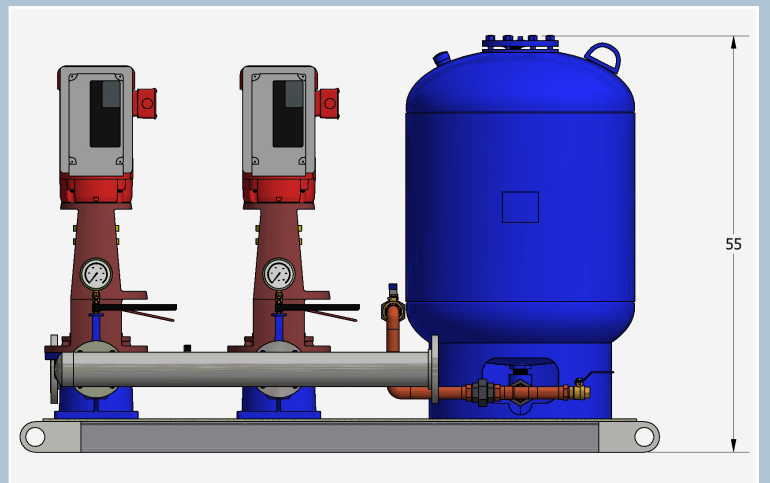


DUPLEX BOOSTER PUMP SKID  
TECHNICAL DATA

Duplex Pump with VFD  
Model 880RI

Capacity (each pump)  
250 GPM  
115 Ft. head

Expansion Bladder Tank  
Capacity  
106 GAL



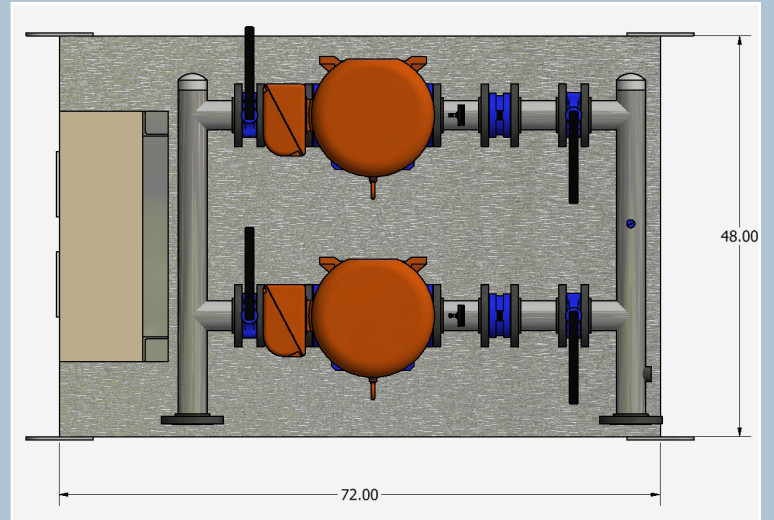
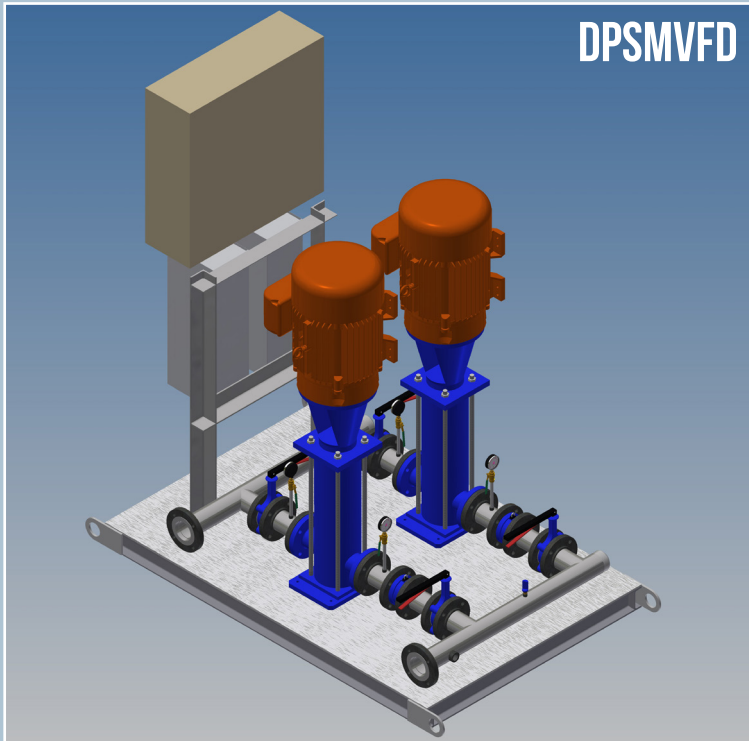
DESIGNED WITH:



Other 3D files format available

# THE KIMBERLY CASE STUDIES PROJECTS

# DOMESTIC PUMP SYSTEM

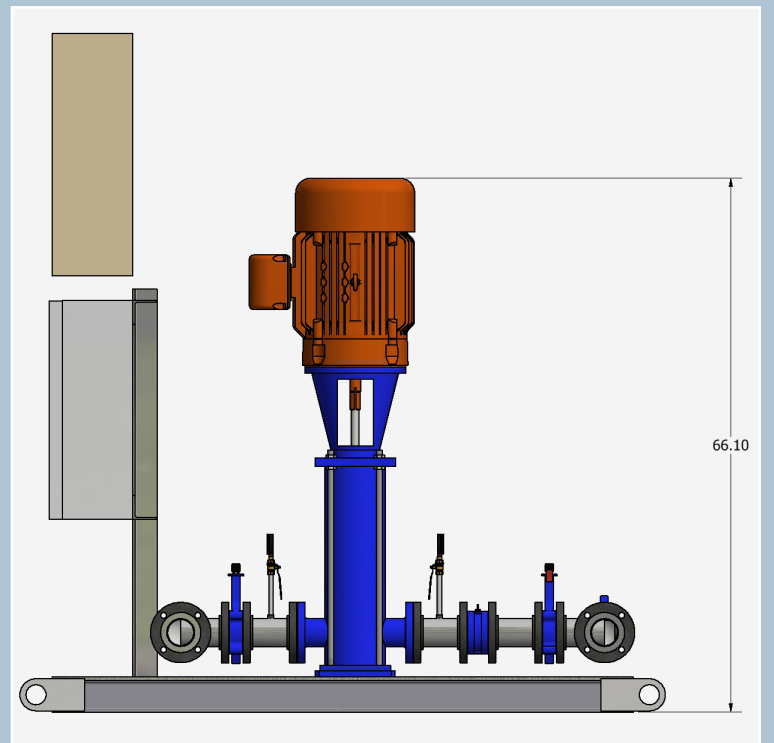


## DUPLEX BOOSTER PUMP SKID TECHNICAL DATA

Duplex Multi-Stage Pump  
with VFD  
Model PSM42-40-2

Capacity (each pump)  
190 GPM  
370 Ft. head

Single Point Power  
Connection Panel



DESIGNED WITH:

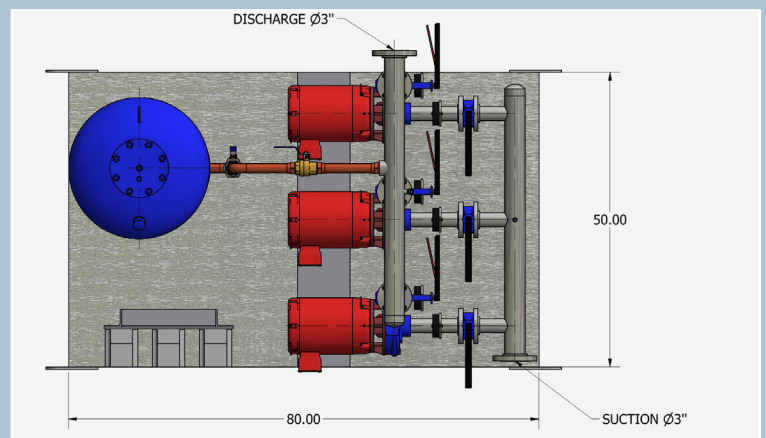
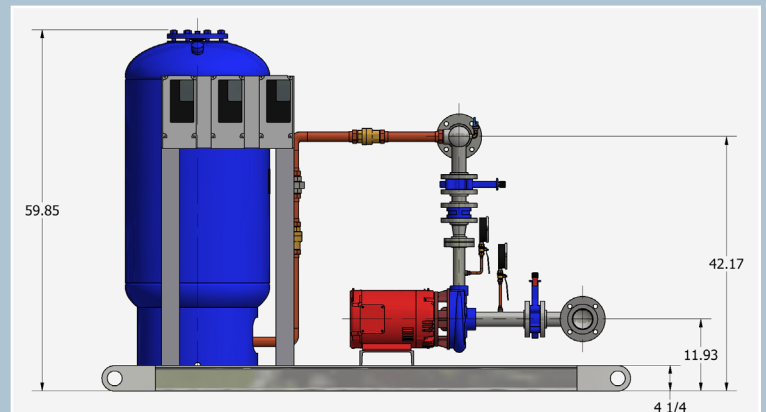
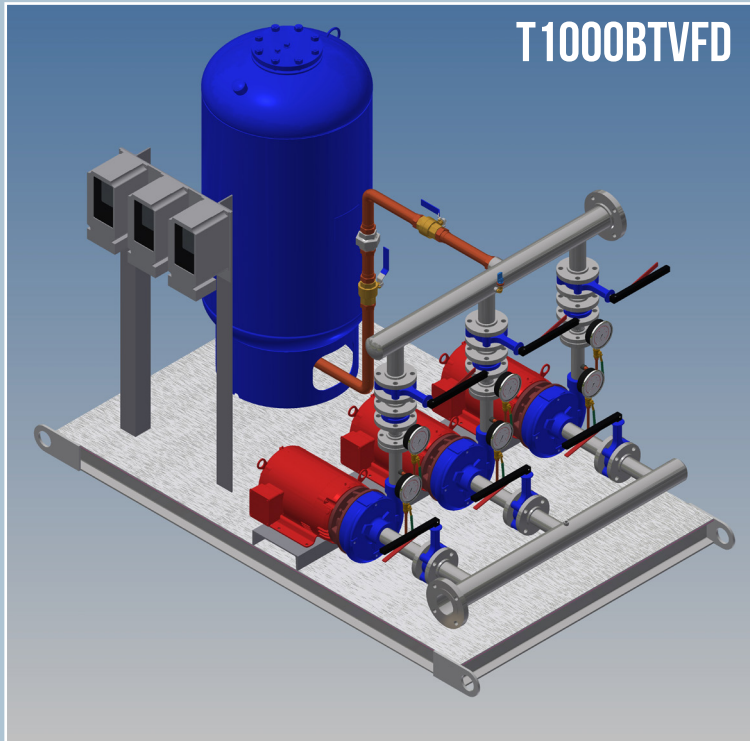


Other 3D files format available



RESIDENTIAL TOWER  
CASE STUDIES PROJECTS

DOMESTIC  
PUMP SYSTEM



TRIPLEX BOOSTER PUMP SKID  
TECHNICAL DATA

Triplex End-Suction Pump  
with VFD  
Model 1000-c815G

Capacity (each pump)  
140 GPM  
210 Ft. head

Expansion Bladder Tank  
Capacity  
79 GAL.



DESIGNED WITH:

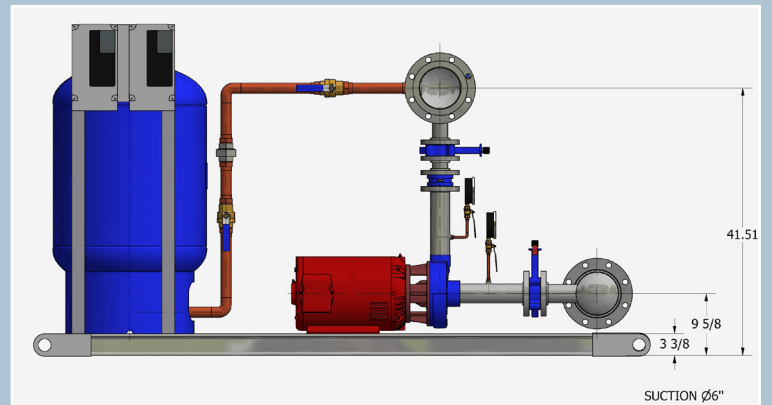
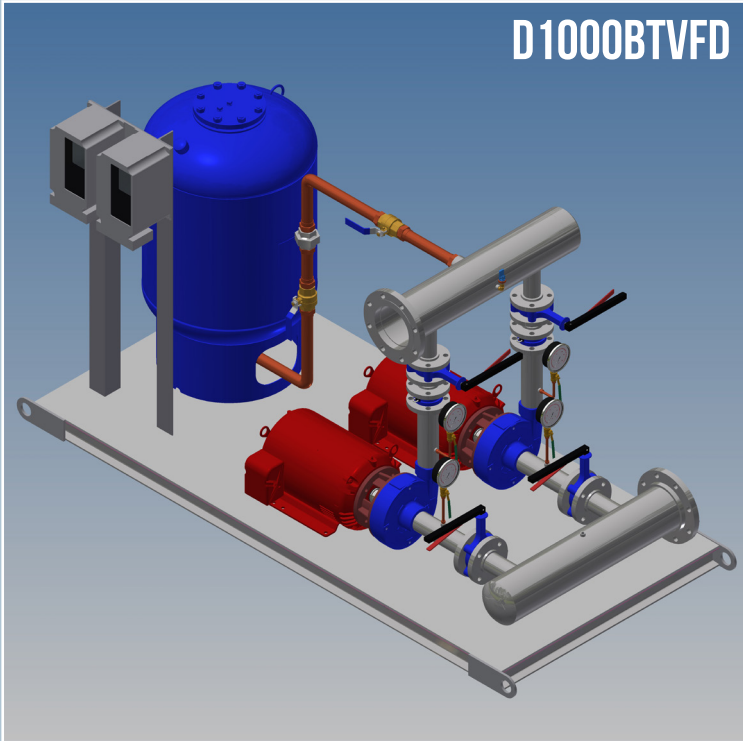


Other 3D files format available

**LOWNEY TOWER**  
**CASE STUDIES PROJECTS**

**DOMESTIC**  
**PUMP SYSTEM**

**D1000BTVFD**



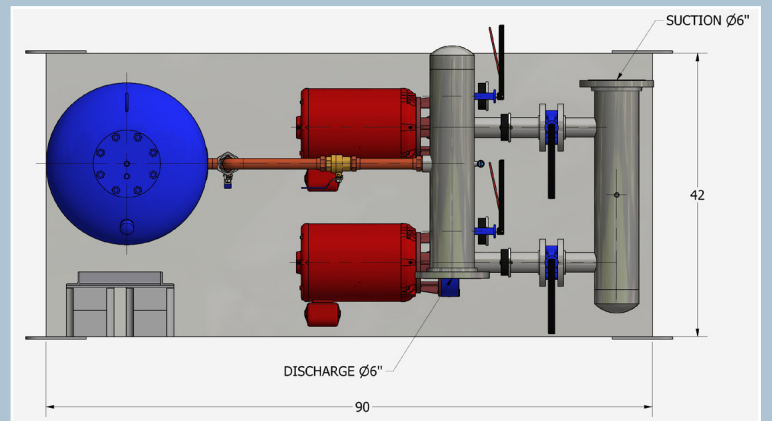
**DUPLEX PUMP SKID**

**TECHNICAL DATA**

Duplex End-Suction Pump  
with VFD  
Model 1000-c820A

Capacity (each pump)  
275 GPM  
173 Ft. head

Expansion Bladder Tank  
Capacity  
53 GAL.



DESIGNED WITH:



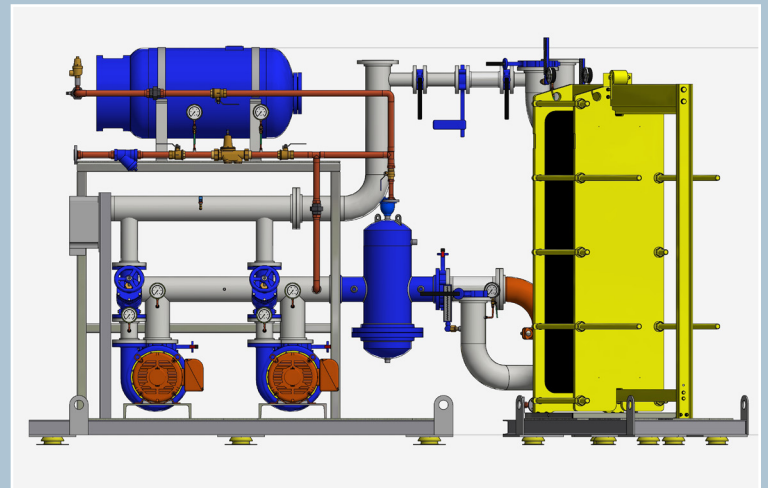
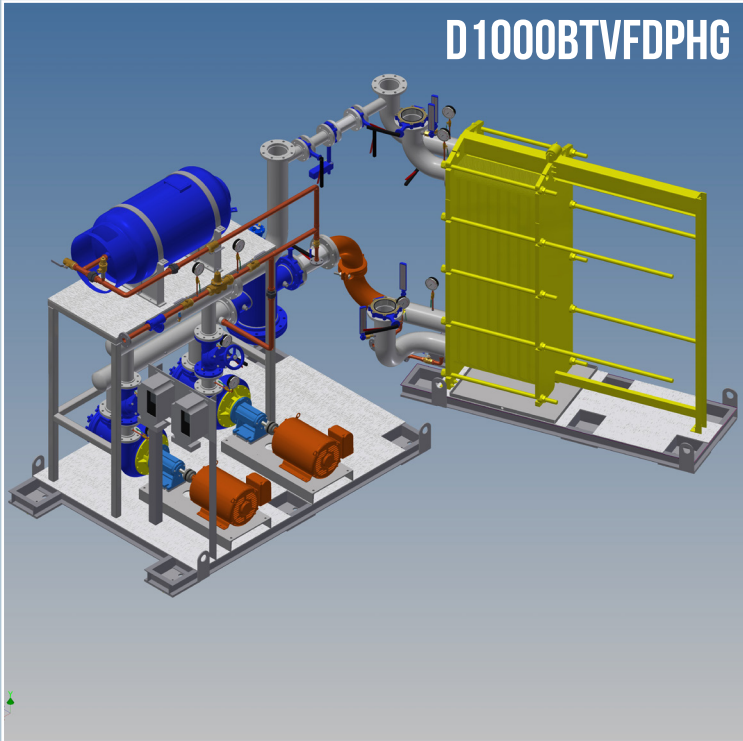
Other 3D files format available



**POD HOTEL**  
**CASE STUDIES PROJECTS**

**HYDRONIC**  
**COOLING PUMP SYSTEM**

**D 1000BTVFDPHG**



**CHILLED WATER DUPLEX PUMP SYSTEM**  
**TECHNICAL DATA**

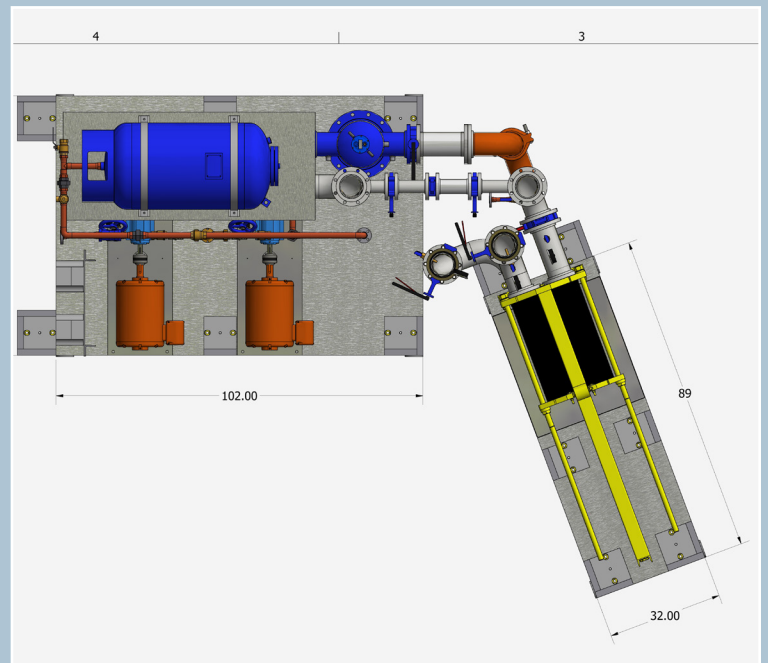
Duplex End-Suction Pump  
with VFD

Capacity (each pump)  
750 GPM  
100 Ft. head

Expansion Bladder Tank  
Capacity  
79 GAL.

Air & Dirt Separator

Heat Exchanger  
Plate & Frame

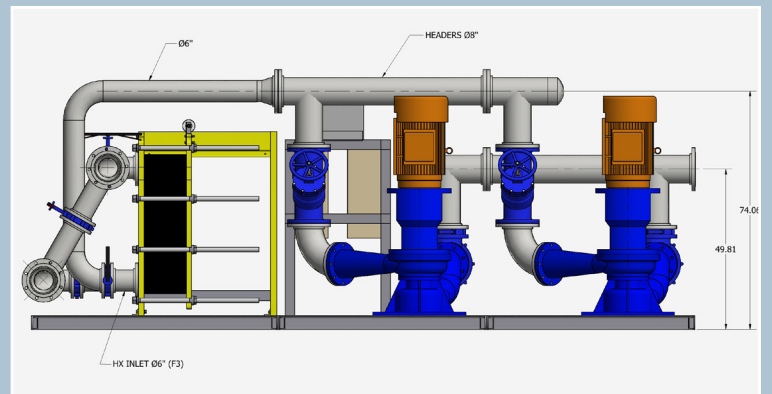
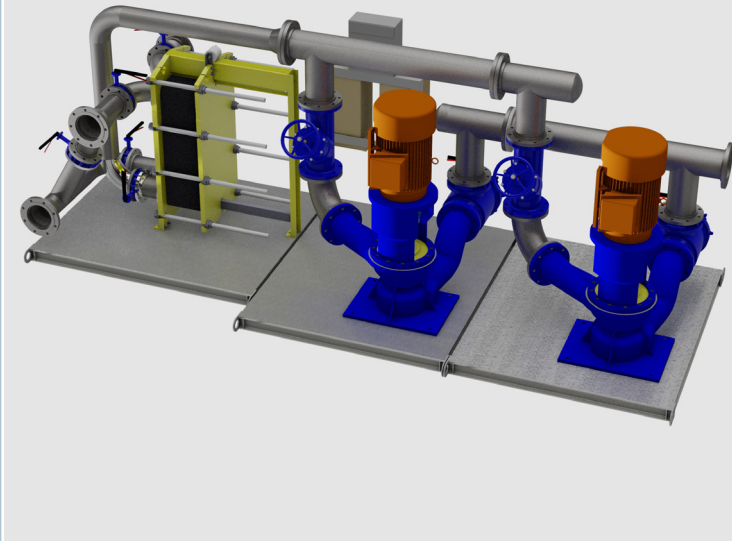


DESIGNED WITH:



Other 3D files format available

S880VFDBTPHG

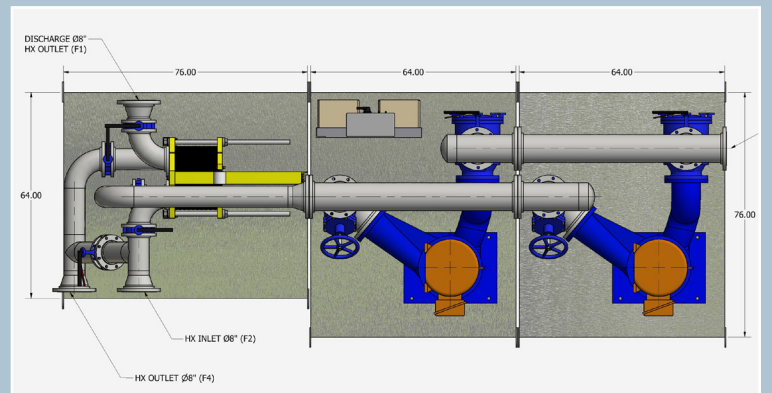


CHILLED WATER PUMP SYSTEM  
TECHNICAL DATA

Duplex Pump  
with VFD  
Model XRI  
with 45 degree layout  
arrangement

Capacity (each pump)  
1000 GPM  
100 Ft. head

Heat Exchanger  
Plates & Frame



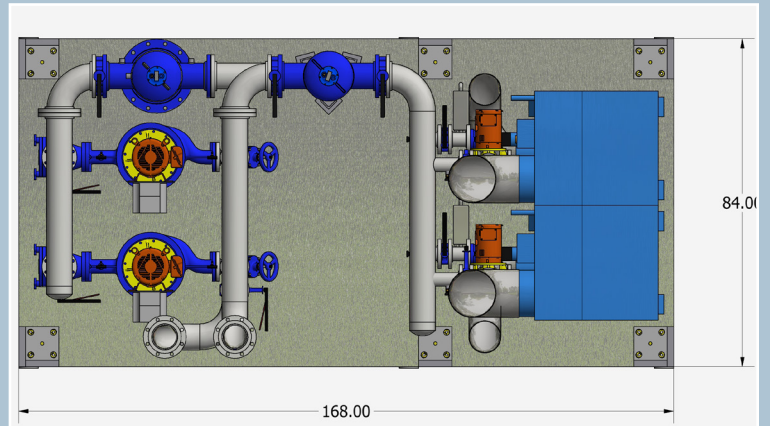
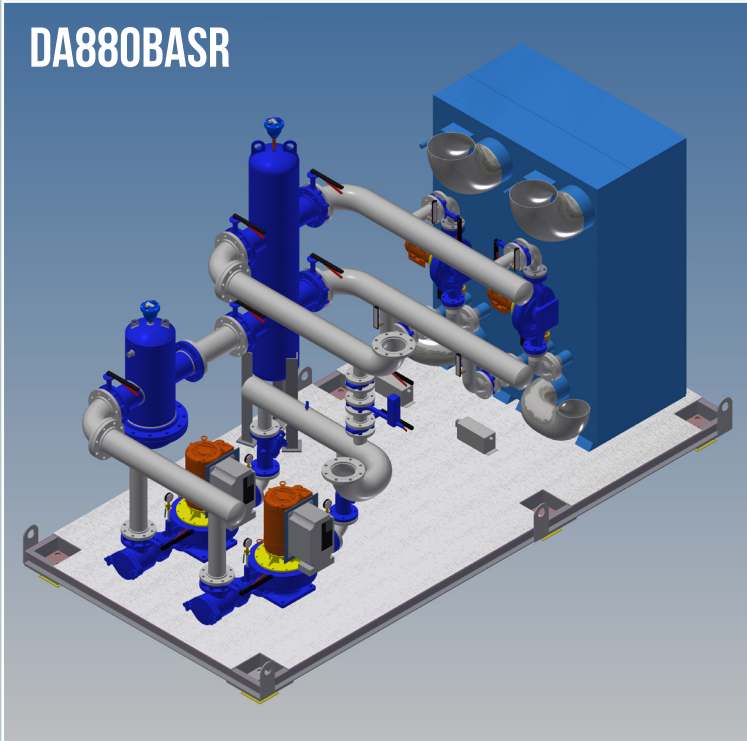
DESIGNED WITH:



Other 3D files format available



DA880BASR



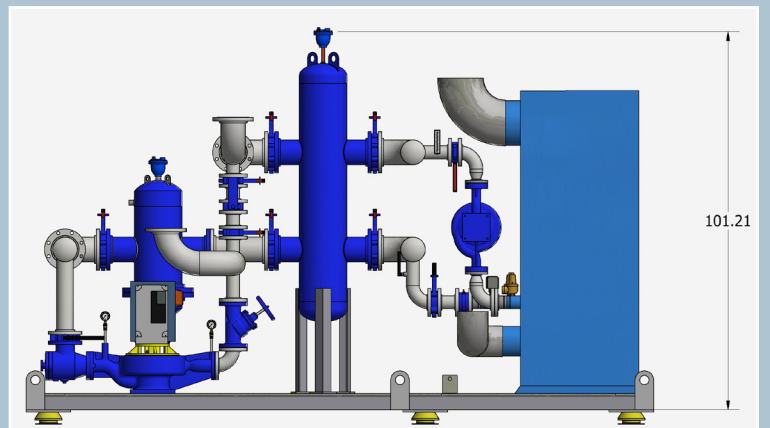
HEATING PUMP SKID  
TECHNICAL DATA

Duplex Gas Fired Boilers (each)  
2500 MBTU/hr

Duplex Inline Pump  
Model 880

Capacity (each pump)  
400 GPM  
100 Ft. head

Hydraulic Air Separator

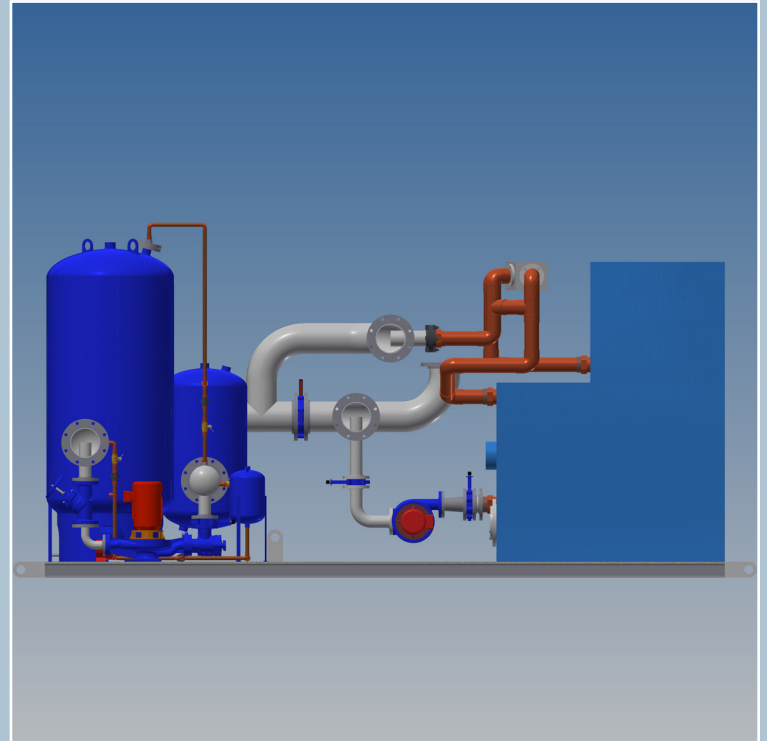
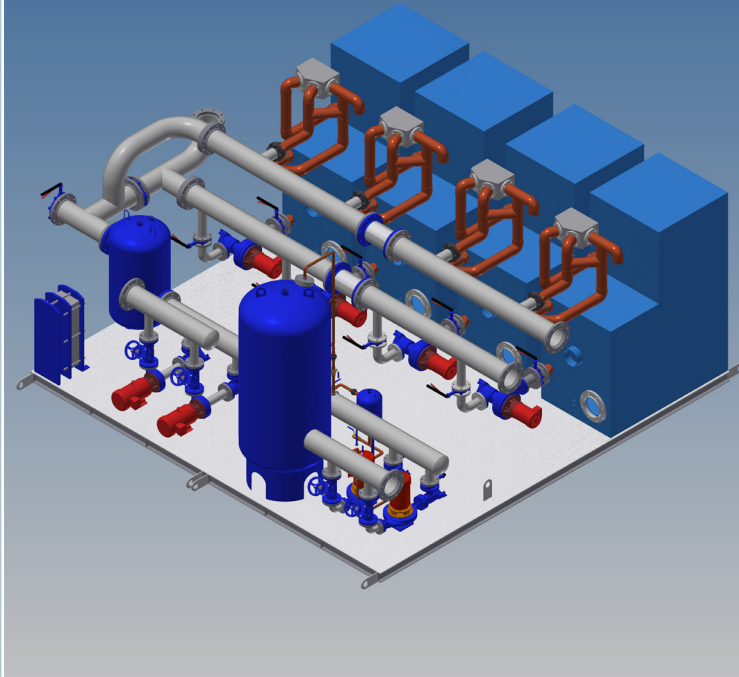


DESIGNED WITH:



Other 3D files format available

QB 1000BT



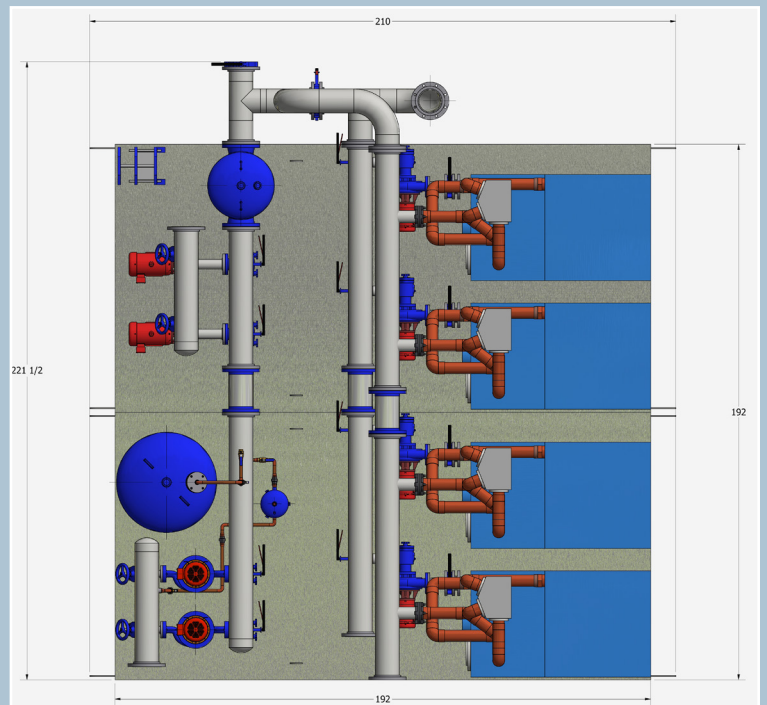
HEATING PUMP SYSTEM  
TECHNICAL DATA

Quadruplex Boilers

Quadruplex Pump

Duplex Inline 880

Duplex End-Suction



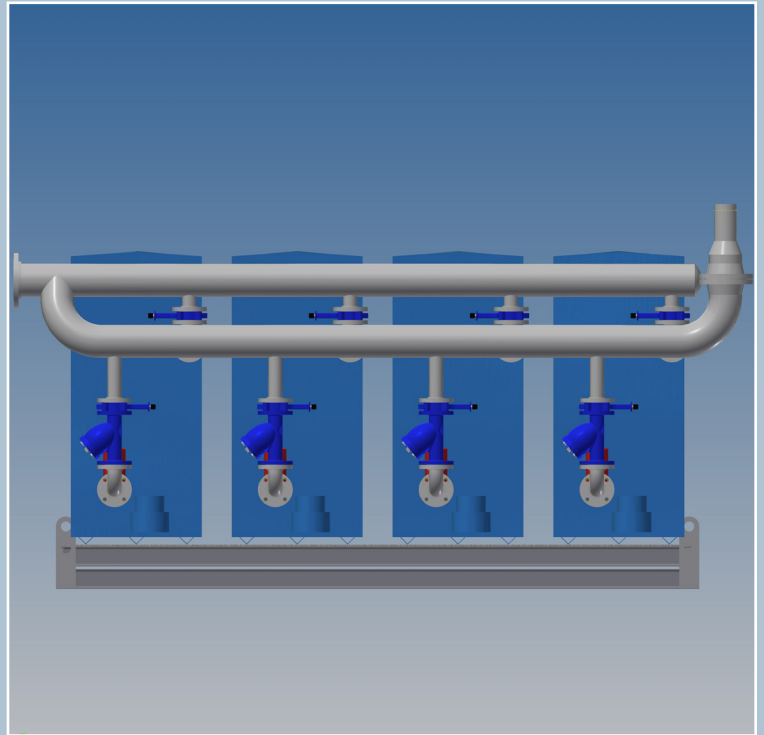
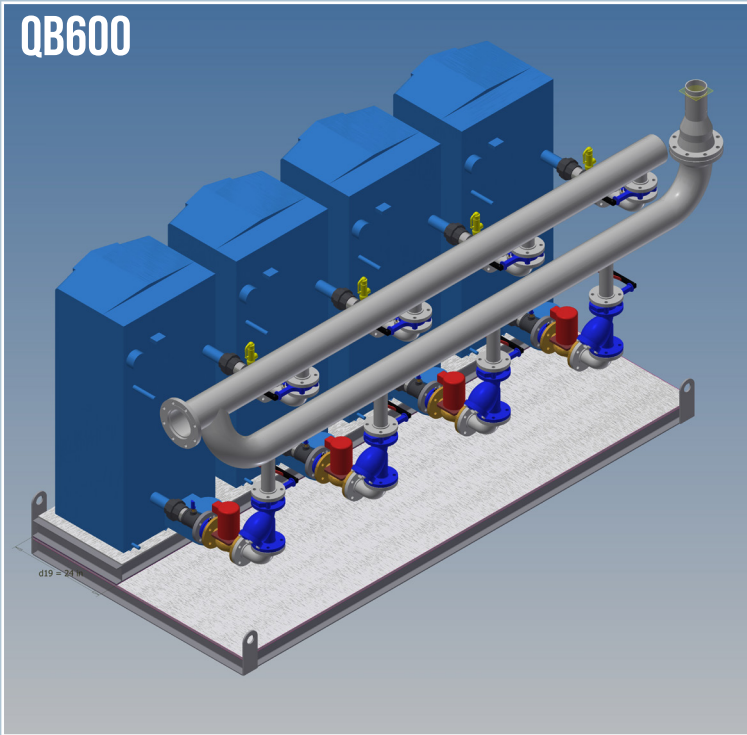
DESIGNED WITH:



Other 3D files format available



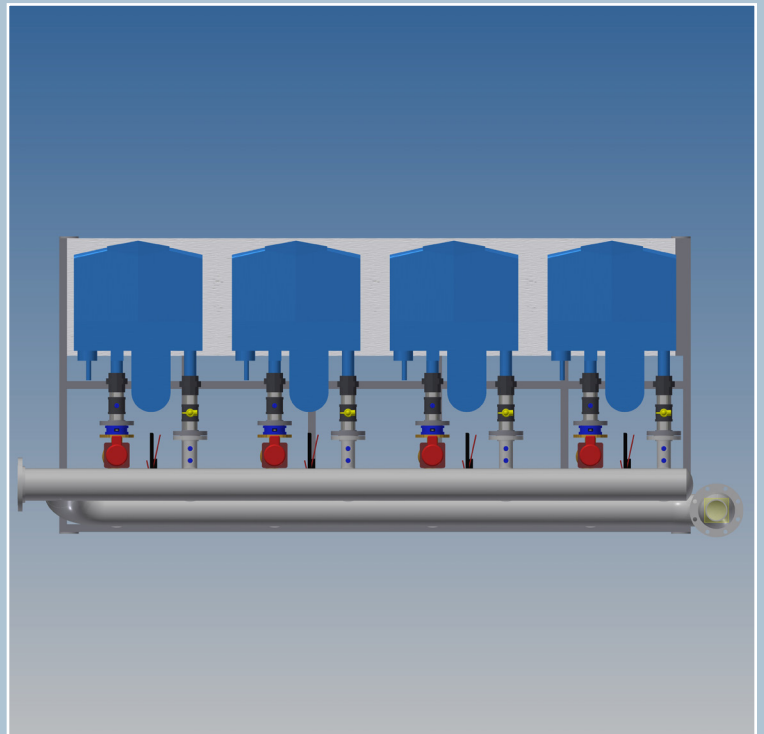
QB600



## HEATING PUMP SYSTEM TECHNICAL DATA

Quadruplex Boilers (each)  
825 MBTU/hr

Circulating Pump  
Model 600



DESIGNED WITH:

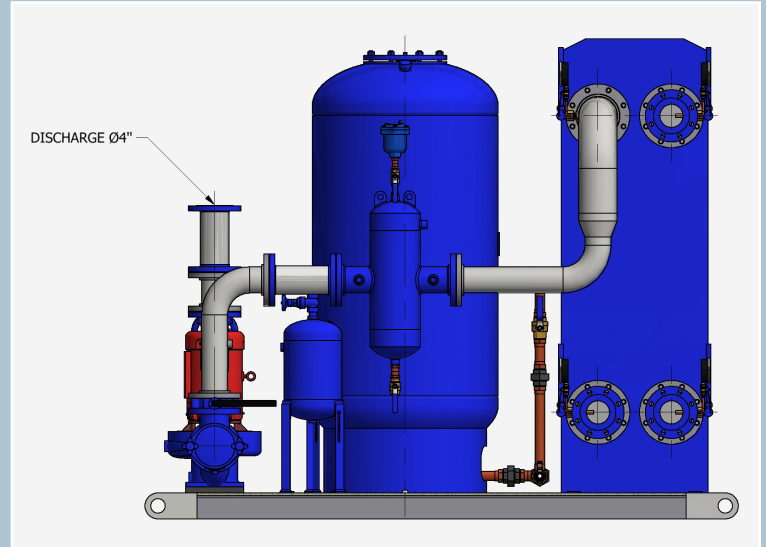
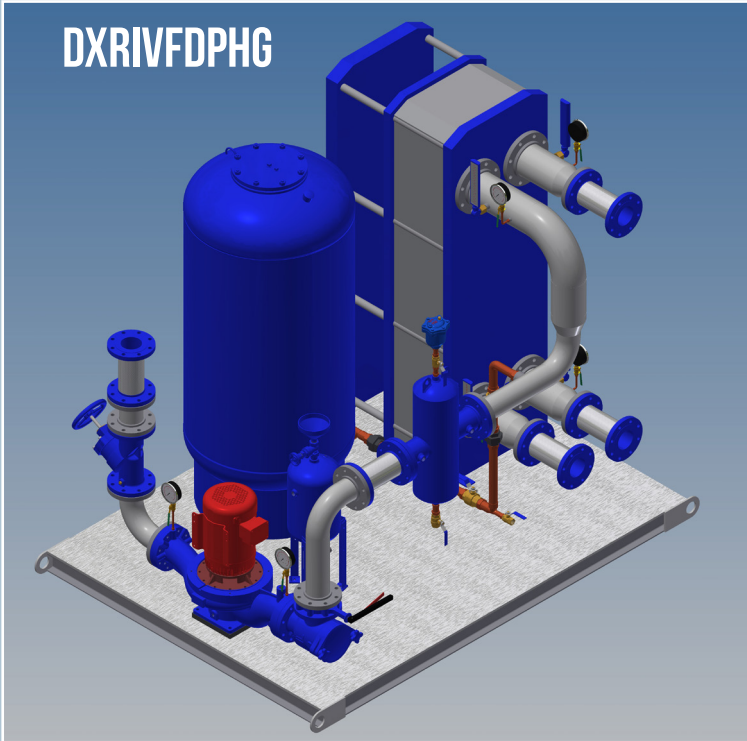


Other 3D files format available

**THE EXCHANGE TOWER  
CASE STUDIES PROJECTS**

**HYDRONIC  
HEATING PUMP SYSTEM**

**DXRIVFDPHG**



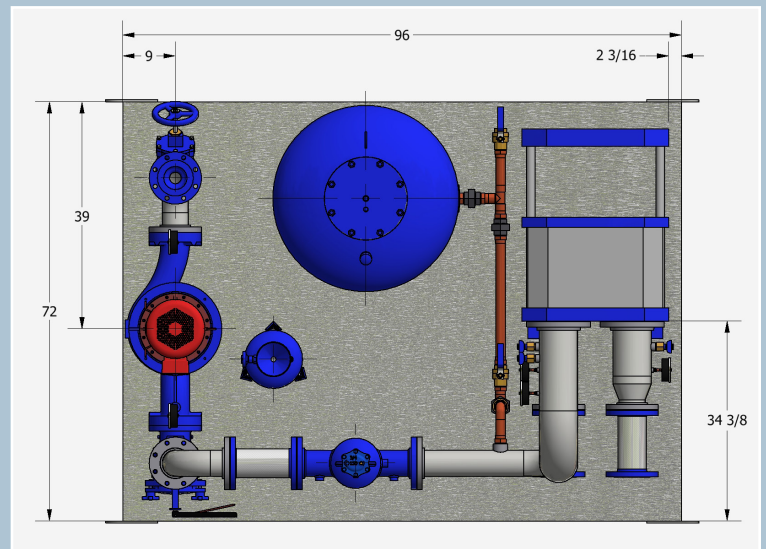
**HYDRONIC HEATING PUMP SYSTEM  
TECHNICAL DATA**

Simplex Pump  
Inline Model 880

Capacity (each pump)  
252GPM  
60 Ft. head

Heat Exchanger  
Plates & Frame

Expansion Tank  
Capacity  
211 GAL.



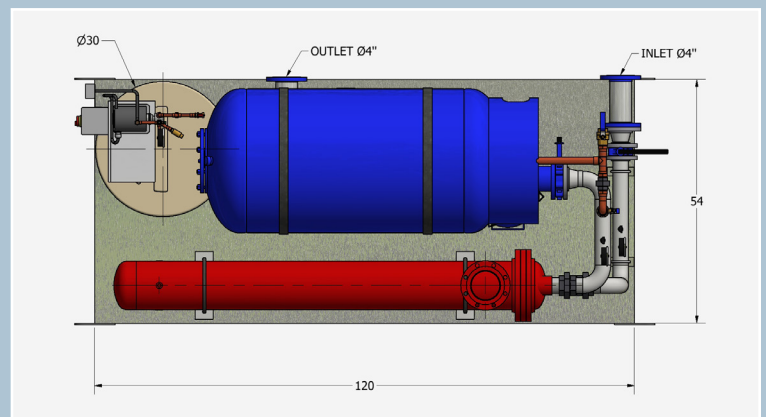
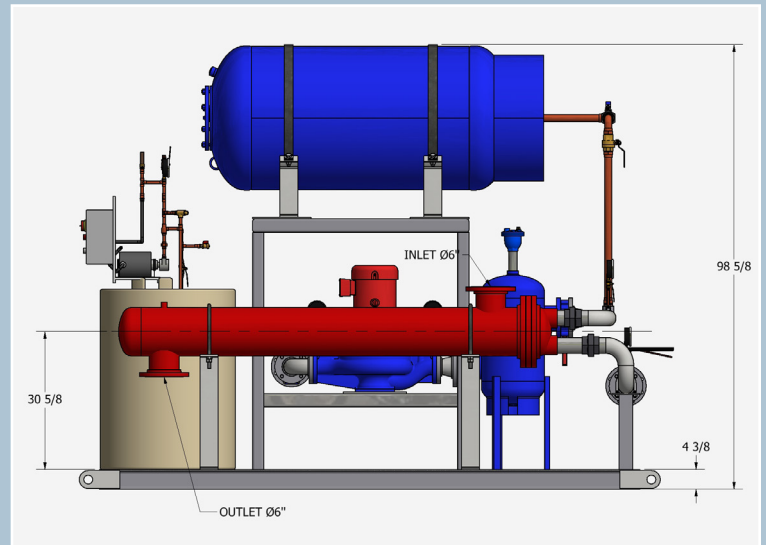
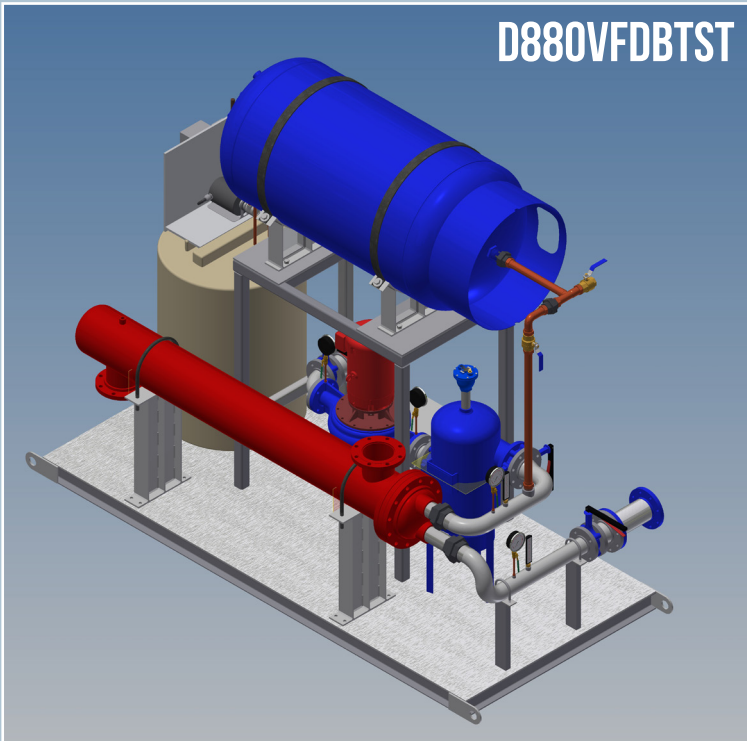
DESIGNED WITH:



Other 3D files format available



D880VFD BTST



## HYDRONIC HEATING PUMP SYSTEM TECHNICAL DATA

Simplex Inline Pump  
Model 880

Capacity (each pump)  
195 GPM  
55 Ft. head

Expansion Bladder Tank  
Capacity  
211 GAL.

Heat Exchanger  
Shell & Tubes

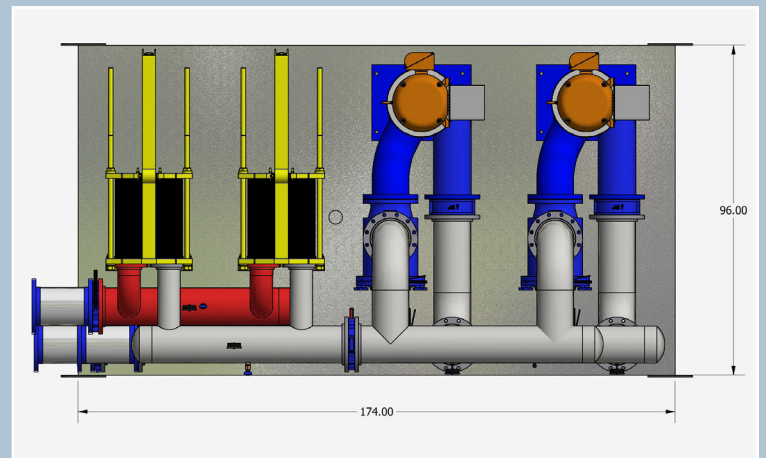
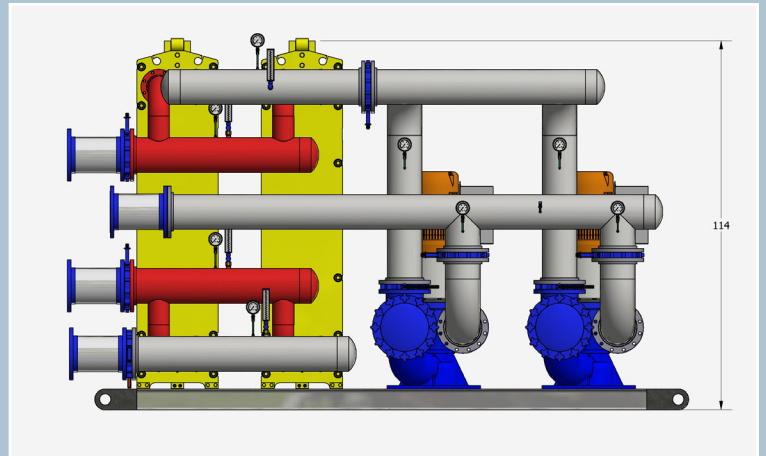
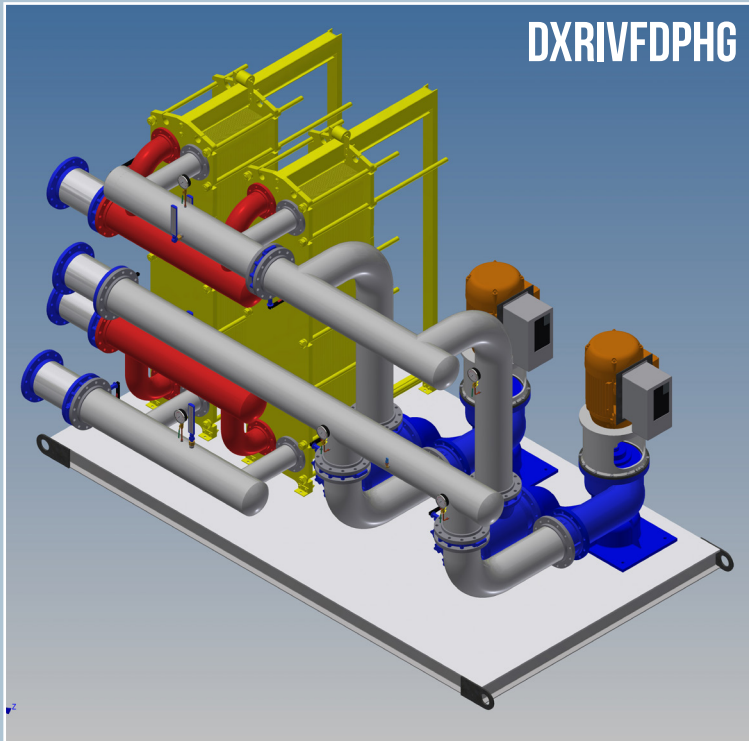
Simplex Glycol Feed  
Capacity  
52 GAL.



DESIGNED WITH:



Other 3D files format available



## HYDRONIC HEATING DUPLEX PUMP SYSTEM TECHNICAL DATA

Duplex Pump  
Model XRI

Capacity (each pump)  
2550 GPM  
40 Ft. head

Two Heat Exchangers  
Plates & Frame



DESIGNED WITH:



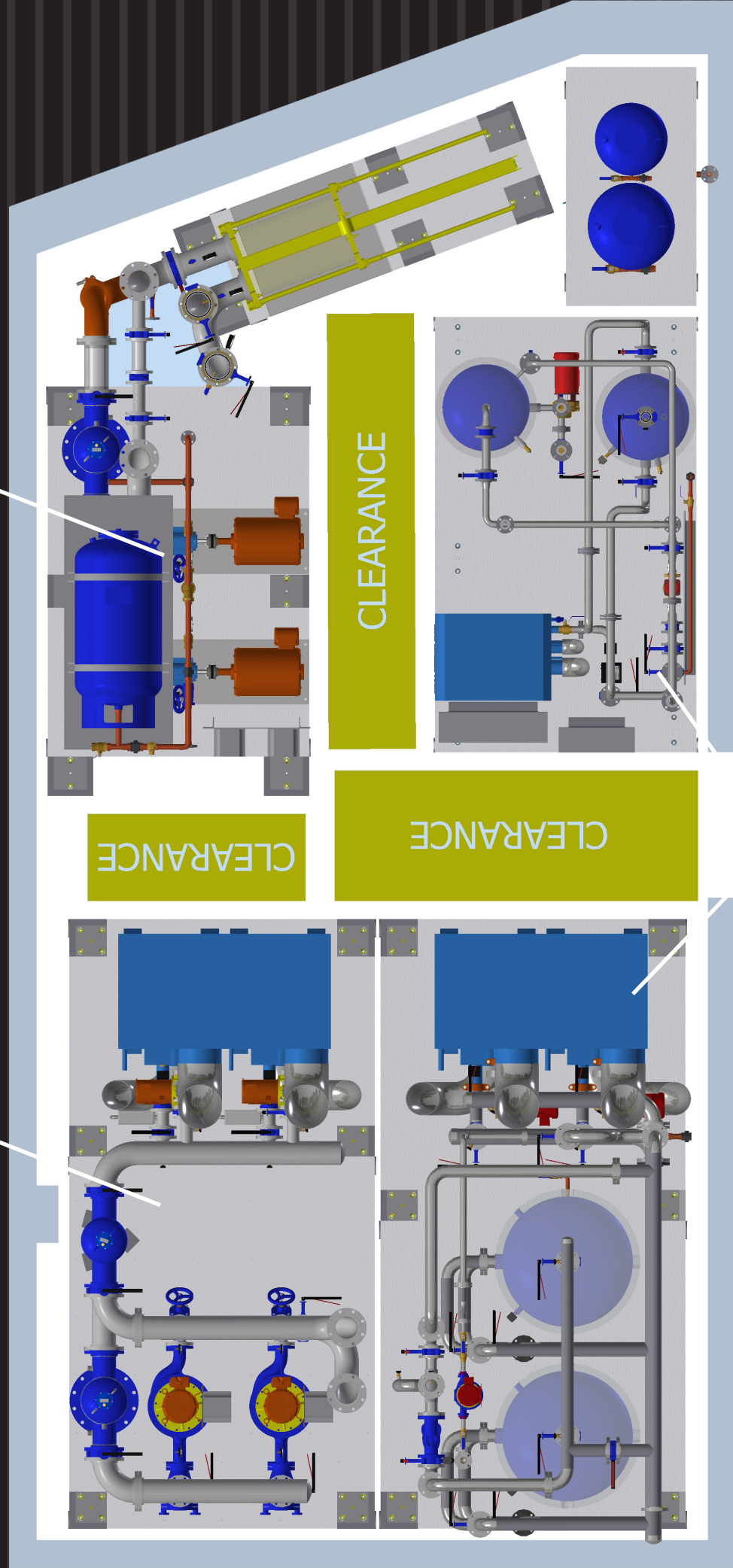
Other 3D files format available



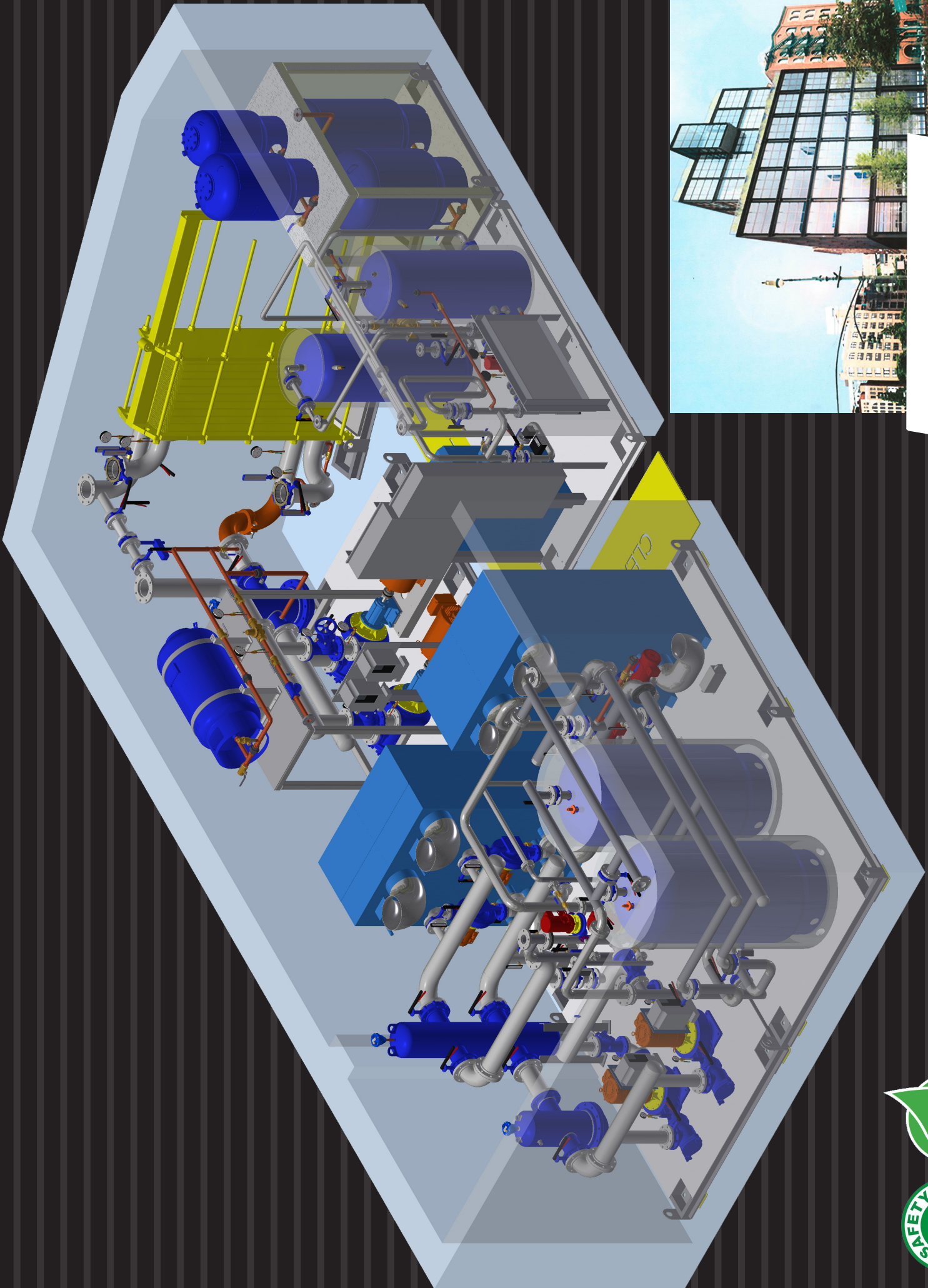
# Typical Mechanical Room

Hydronic Heating System Skid

Hydronic Cooling System Skid



Hot Water Domestic Skids

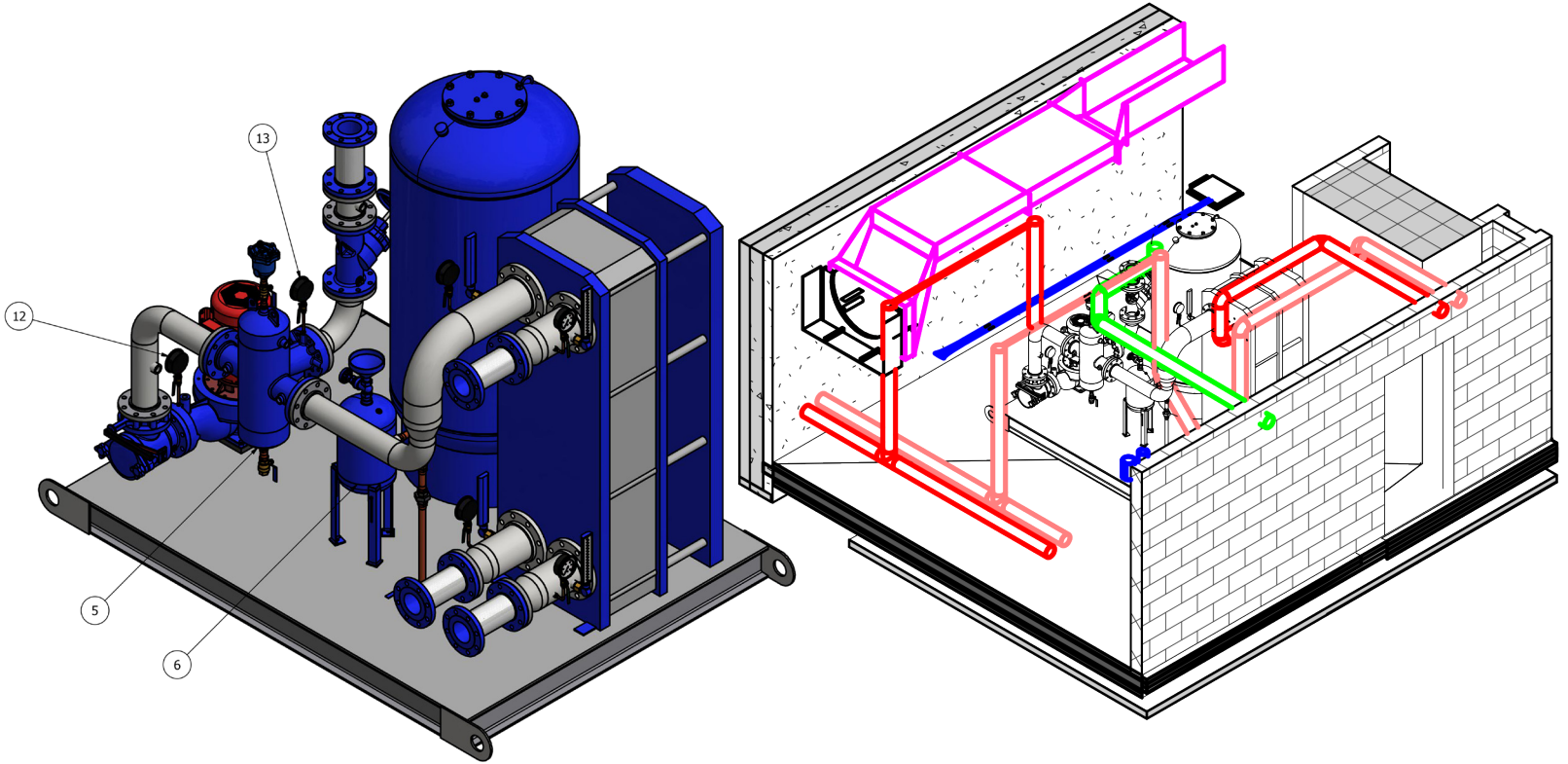


**POD HOTEL, NEW YORK,  
UNITED-STATES**





**What does it look like in the field inside the building?**



**What does it look like in the field outside the building?**





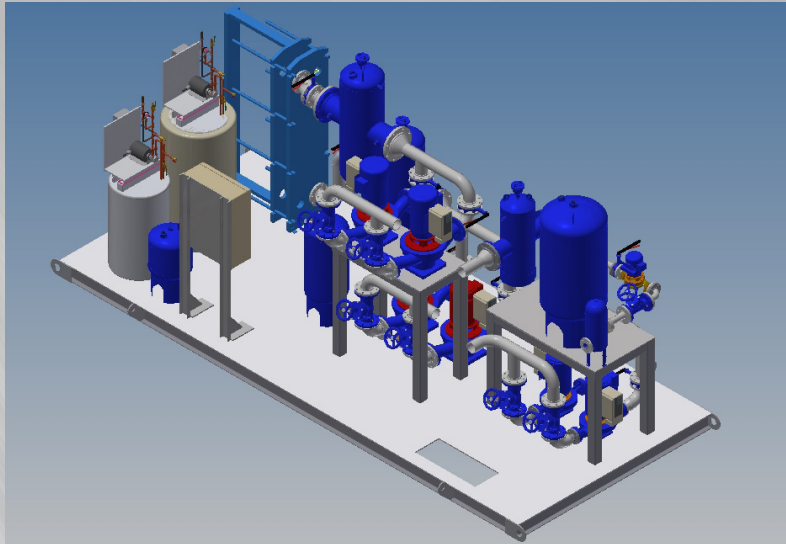


# HYDRONICS COOLING/HEATING/DOMESTIC PACKAGES





# What does it look like inside a shelter?



We are a proud supplier for the following completed and ongoing case study projects:



**Rockefeller Plaza**  
New York, NY, US  
<http://www.rockefellercenter.com>



**La Malbaie Hospital**  
La Malbaie, Quebec, Canada  
[www.cssscharlevoix.qc.ca](http://www.cssscharlevoix.qc.ca)



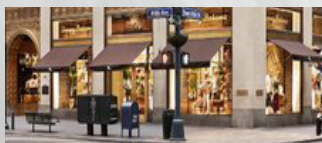
**Old Montreal College**  
Montreal, Quebec, Canada  
[www.cvm.qc.ca](http://www.cvm.qc.ca)



**Wananesa Quebec**  
Montreal, Quebec, Canada  
[www.wananesa.com](http://www.wananesa.com)



**The Gazette**  
Montréal, Quebec, Canada  
[www.montrealgazette.com](http://www.montrealgazette.com)



**Tommy Bahama**  
New York City, NY, U.S.A.  
[www.tommybahama.com](http://www.tommybahama.com)

## Sales and Service:

Quebec, Canada  
Tel. : (450) 621-2995  
Fax : (450) 621-4995

Lake Worth,  
Florida, USA  
33467-5749

Toronto, Canada  
Tel. : +1 (647) 544-2995

[www.flofab.com](http://www.flofab.com)

SERVICE 24/7 : [parts@flofab.com](mailto:parts@flofab.com)

