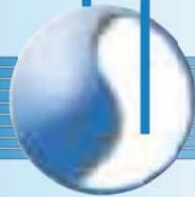
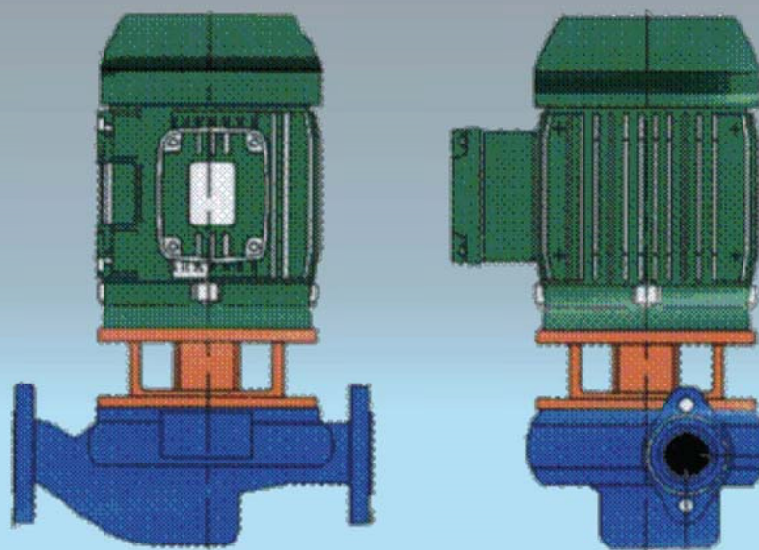


FLO FAB

FF



Go
with the
FLO



Vertical In-line Pump Series "700"

Manufacturer of Pumps, Tanks, Heat Exchangers & Accessories
for HVAC Market After-Sales Parts and Services

Vertical In-line Pump Series "700"

www.flofab.com

FLO FAB INC
LAKE WORTH,
FLORIDA, USA



SERIE 700

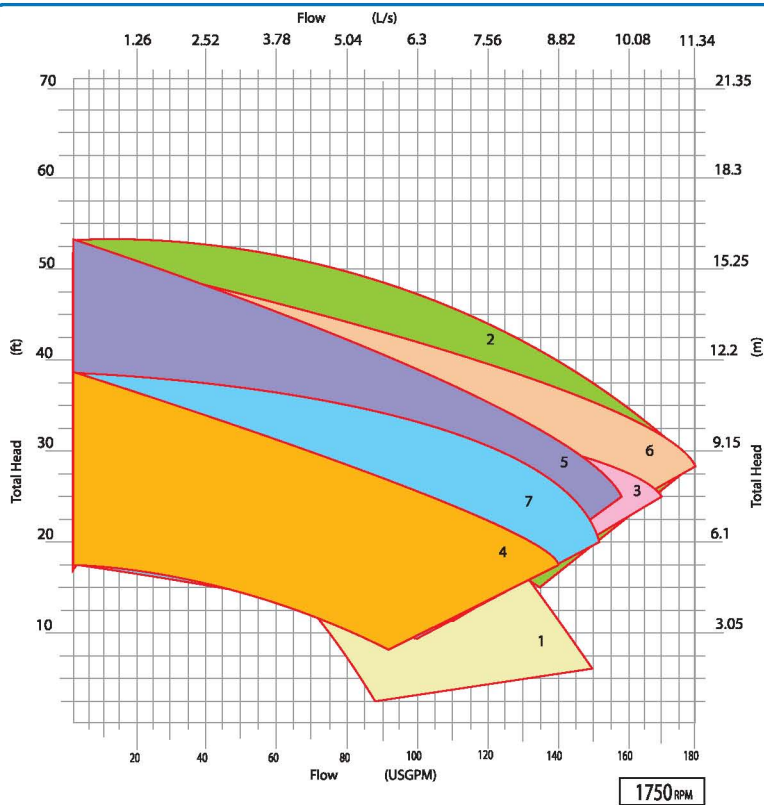
Description

- In General** The FLO FAB vertical in-line pumps have been developed to give long lasting service with minimum required repairs. These units are provide for applications where space is at a minimum and where an economically price rugged unit is required..
- Testing** Pumps are completely tested and data reports are recorded.
- Efficiency** FLO FAB pumps are of high efficiency and have non-overloading characteristics.
- Pump** Vertical in-line bronze fitted pumps with closed coupled flanged cast iron casing, leakproof mechanical shaft seal, large diameter corrosion resistant steel motor shaft, and bronze casing wearing. The mechanical seal permits handling temperatures up to 250oF.
- Motor** Totally enclosed motors is standard. Explosion-proof and open-drip proof motors are available in NEMA standard construction. Motor bearings are sealed and factory greased for extra long trouble-free operation. Single phase fractional Hp motors include built-in thermal overload protection. Motors are available at 1150, 1750 and 3450 RPM. Motors can also be invertor duty type for variable speed applications.



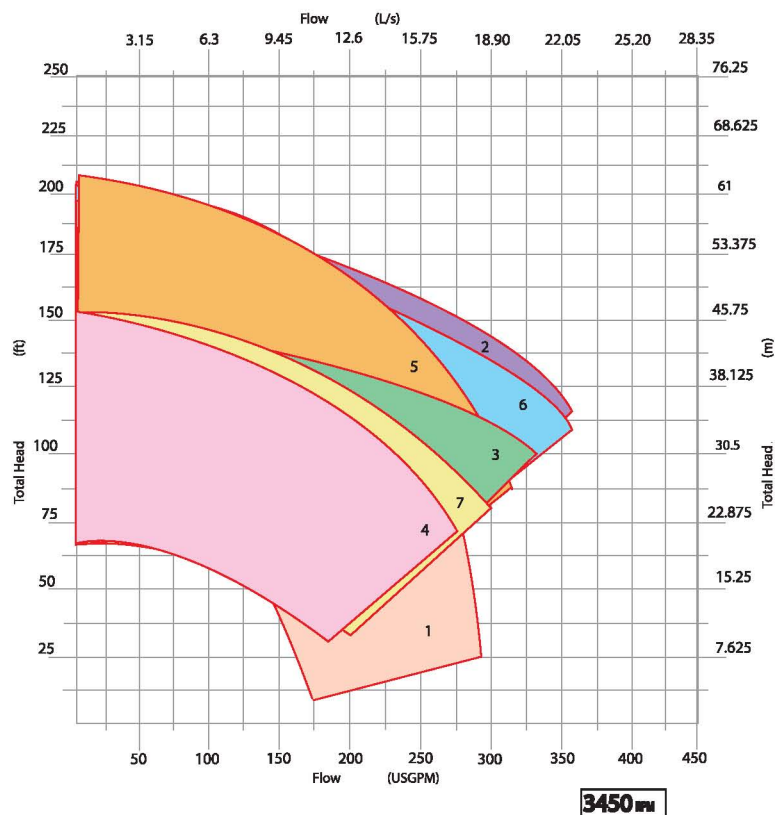
Performance Curves Series 700

SUBMITTAL DATA SHEET
 ISSUE DATE: MAY 2008
 REVISION DATE: MAY 2008



1750 RPM Pump Models and Sizes

- 1 1.5 x 1.5 x 7.25 - 49
- 2 2 x 2 x 7.25-35
- 3 2 x 2 x 7.25-46
- 4 2 x 2 x 7.25-48
- 5 2 x 2 x 7.25-52
- 6 2 x 2 x 7.25-83
- 7 2 x 2 x 7.25-88
- 8 3 x 3 x 7.25 - 49



3450 RPM Pump Models and Sizes

- 1 1.5 x 1.5 x 7.25 - 49
- 2 2 x 2 x 7.25-35
- 3 2 x 2 x 7.25-46
- 4 2 x 2 x 7.25-48
- 5 2 x 2 x 7.25-52
- 6 2 x 2 x 7.25-83
- 7 2 x 2 x 7.25-88
- 8 3 x 3 x 7.25 - 49

FF

FLO FAB



**Manufacturer of Pumps, Tanks, Heat Exchangers & Accessories
for HVAC Market After-Sales Parts and Services**

www.flofab.com

FLO-FAB INC
LAKE WORTH,
FLORIDA, USA

SEPTEMBER 2009