

FLO FAB

FF



Go

With the
FLO

Submersible Pumps



www.flofab.com

Manufacturer of Pumps, Tanks, Heat Exchangers & Accessories
for HVAC Market After-Sales Parts and Services

Submersible Pumps

FLO FAB INC
LAKE WORTH,
FLORIDA, USA



FIGURE 1

Description	Unit Value	Total Used
Bathroom Group, Consisting of Lavatory, Bathtub or Shower and(Direct Flush) Water Closet	10	
Bathroom Group, Consisting of Lavatory, Bathtub or Shower and(Flush Tank) Water Closet	6	
Bathtub with 1 1/2" Trap	2	
Bathtub with 2" Trap	3	
Bidet with 1 1/2" Trap	3	
Dental unit or Cuspidor	1	
Drinking Fountain	1	
Dishwasher (Domestic Type)	2	
Kitchen Sink (Domestic)	2	
Kitchen Sink (Domestic) with Waste Grinder	3	
Lavatory with 1 1/2" Trap	1	
Lavatory Barber or Beauty Shop	2	
Laundry Tray (2 compartments)	2	
Shower Tall	2	
Shower Group per head	3	
Sink (Direct Flush Valve)	7	
Sink (Service Type with Floor Drain)	3	
Sink (Scullery)	4	
Sink (Surgeons)	3	
Urinal (with Flush Valve)	8	
Urinal (with Flush Tank)	4	
Water Closet (Flush Valve)	7	
Water Closet (Flush Tank)	3	
Swimming Pools (per 1000 Gal.)	1	
Unlisted Fixture with 1 1/4" Trap	2	
Unlisted Fixture with 1 1/2" Trap	3	
Unlisted Fixture with 2" Trap	4	
Unlisted Fixture with 2 1/2" Trap	5	
Unlisted Fixture with 3" Trap	6	
Unlisted Fixture with 4" Trap	7	
Water Softener (Domestic)	4	
Washing Machine	2	
Total		

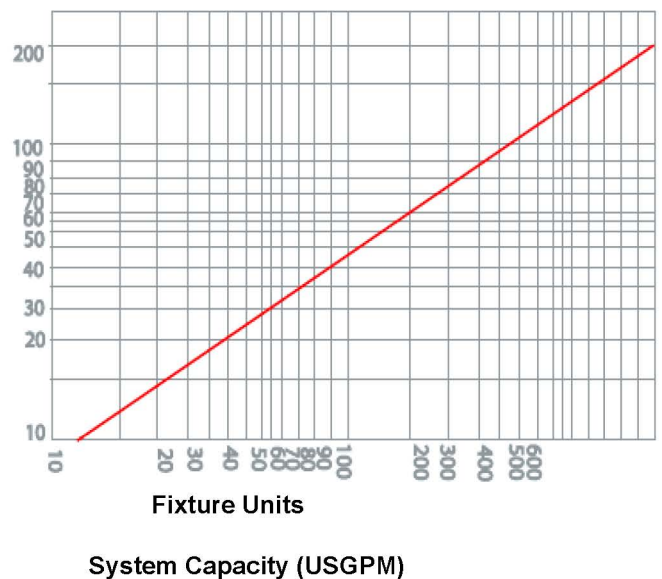
SYSTEM CAPACITY

The System Capacity refers to the rate of flow in US Gallons Per Minute (USGPM) necessary to efficiently maintain the system. The "Fixture Unit" (figure 1) method is suggested for determining this figure. This approach assigns a relative value to each fixture or group of fixtures normally encountered. Determination of the required System Capacity is as follows:

1) List all fixtures involved in the installation and using Figure 1 assign a Fixture Unit value to each. Add to obtain the total.

2) Referring to Figure 2 locate the total Fixture Unit amount along the horizontal axis of the graph and follow vertically until intersecting the plotted line. Read the System Capacity in USGPM along the vertical axis.

FIGURE 2



How to Select a Pump Model

SUBMITTAL DATA SHEET
 ISSUE DATE: MAY 2008
 REVISION DATE: MAY 2008

EXAMPLE

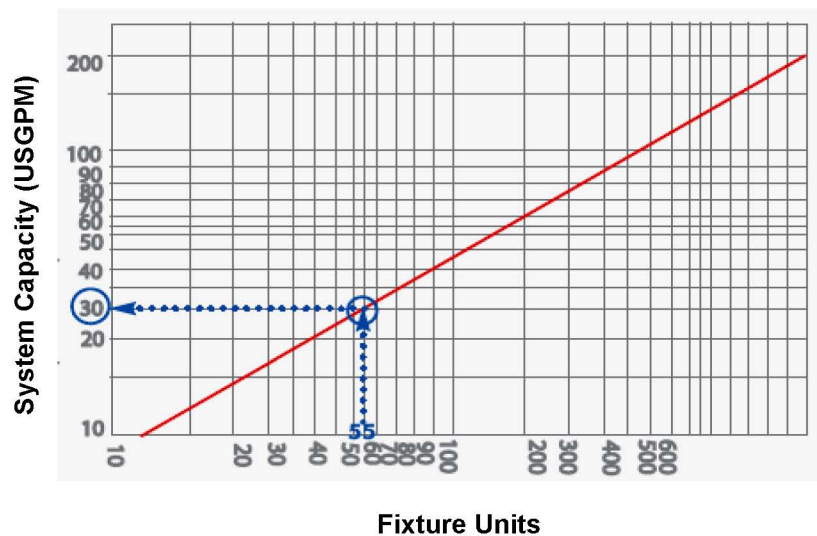
What Pump Capacity would be required to handle the drainage from a 4 bathroom home, also including a dishwasher, a washer, a laundry tray, a kitchen sink, a water softener, a basement shower, a 13 000 gallon pool and a bar sink with a 1 1/2" Trap?

1) From Figure 1

Description	Unit Value	Total Used
Bathroom Group, Consisting of Lavatory, Bathtub or Shower and(Flush Tank)	6	24
Dishwasher (Domestic Type)	2	2
Kitchen Sink (Domestic)	2	2
Laundry Tray (2 compartments)	2	2
Shower Tall	2	2
Swimming Pools (per 1000 Gal.)	1	13
Bar Sink (Unlisted with 1 1/2" Trap)	3	3
Water Softener (Domestic)	4	4
Washing Machine	2	2
	Total	55

Find 55 Fixture Units on the horizontal axis. Follow Vertically until intersecting the plotted line then horizontally to the left. The Pump Capacity on the vertical axis is 30 USGPM.

2) Refer to Figure 2





MODELS	PICTURES	DESCRIPTION	OUTLET		Elec. MOTOR		FULL LOAD CURRENT		MAX. HEAD		MAX. CAPACITY	
			mm	in	kw	Hp	115 volt	575 volt	m	ft.	l/min.	USGPM
LB-25-33-0.16		SUBMERSIBLE EFFLUENT PUMP	40	1 1/2	0.25	1/3	3.5 amp.		9.5	31	200	53
LB-40-50-0.16			50	2	0.4	1/2	5 amp	.57 amp.	12	39	240	63
LB-75-1-0.24			50	2	0.4	1/2	10 amp.	1.14 amp.	16	53	280	74
LB-215-2-0.32			50	2	0.75	1.00	N/A	2.3 amp.	22	72	450	119
*LB-315-2-0.32			80	3	0.75	1.00	N/A	2.3 amp.	16	53	650	175
LBV-40-50-0.6		EFFLUENT AND SEWAGE PUMP	50	2	0.4	1/2	5 amp	.57 amp.	8	26.2	240	63
LBV-75-1-1.1			50	2	0.4	1/2	10 amp.	1.14 amp.	14	46	280	79
LBV-215-2-1.3			50	2	0.75	1.00	N/A	2.3 amp.	18	59	600	159
*LBV-315-2-1.3			80	3	0.75	1.00	N/A	2.3 amp.	16	53	600	159
LBK-75		NON-CLOG EFFLUENT END SEWAGE PUMP	50	2	0.4	1/2	10 amp	2.3 amp.	10	33	500	125
LBK-215-2-1.8			50	2	0.75	1.00	N/A	2.3 amp.	18	59	700	185
*LBK-315-2-1.8			80	3	0.75	1.00	N/A	1.4 amp.	16	53	700	185
FBV-322-3-2.2		SEWAGE VORTEX PUMP	80	3	1.5	2.00	N/A	3.42 amp.	17	56	1000	264
FBV-337-5-2.2			80	3	2.25	3.00	N/A	5.7 amp.	20	66	1200	317
*FBV-437-5-2.2			100	4	2.25	3.00	N/A	5.7 amp.	20	66	1200	317
PD-250		MULTI-PURPOSE DRAINAGE PUMP	40	1 1/2	0.25	1/3	3.5	N/A	11	36	200	53
PD-237			50	2	3.7	5.00	N/A	5.7 amp.	36	118	500	132
PD-337			80	3	3.7	5.00	N/A	5.7 amp.	30	99	900	238
PD-437			100	4	3.7	5.00	N/A	5.7 amp.	18	59	1500	396
PD-355		MULTI-PURPOSE DRAINAGE PUMP	80	3	5.5	5.00	N/A	8.6 amp.	32	105	1200	317
PD-455			100	4	5.5	5.00	N/A	8.6 amp.	22	72	1700	449
PD-475			100	4	7.5	10.00	N/A	11.5 amp.	42	139	1600	423
PD-675			150	6	7.5	10.00	N/A	11.5 amp.	31	102	2200	581
PD-4110			100	4	11	15.00	N/A	17.2 amp.	51	163	1700	449
PD-6110	150	6	11	15.00	N/A	17.2 amp.	32	105	2500	660		
FGC-015		SEWAGE GRINDER PUMP	32	1 1/4	1.5	2.00	N/A	2.31 amp.	25	82	230	61
FGC-022			32	1 1/4	2.2	3.00	N/A	3.30 amp.	30	98	230	61
FGC-037			65	2 1/2	3.7	5.00	N/A	6.00 amp.	25	82	750	180
FGC-055			65	2 1/2	5.6	7.50	N/A	8.40 amp.	30	98	750	180

• Voltage: 1 phase - 115 volts, 3 phase - 575 volts

• 2", 3" & 4" (50, 80 & 100 mm) guide rail pedestals are available upon request

• Auto float switch for water level control is available for single phase pumps up to 1.5 kw (2 Hp) upon request

** Please note that all specifications, dimensions and/or designs of pumps of this brochure, may change without prior notice. **



- Simplex
- Duplex
- Triplex

SUBMITTAL DATA SHEET
ISSUE DATE: MAY 2008
REVISION DATE: MAY 2008

	MODELS	DISCHARGE	SOLID
<input type="checkbox"/>	LB-25	1 1/2"	3/8"
<input type="checkbox"/>	LB-40	2"	3/8"
<input type="checkbox"/>	LB-75	2"	3/8"
<input type="checkbox"/>	LB-215	2"	3/8"
<input type="checkbox"/>	LB-315	3"	3/8"

PUMP SPECIFICATIONS:

- DISCHARGE:** Vertical
- IMPELLER:** 2 vanes open with pump out vanes on back side.
- SHAFT SEAL:** Double mechanical seals (Tungsten on Carbon) in oil chamber for exceptional durability.
- VOLUTE:** Cast Iron, ASTM A-48, Class 30.
- MOTOR HOUSING:** Cast Iron, ASTM A-48, Class 30.
- SEAL PLATE:** Cast Iron, ASTM A-48, Class 30.
- SQUARE RING:** BUNA-N.
- HARDWARE:** Stainless Steel.
- SUITABLE FOR:** 104°F (40°C) Liquids.
- STANDARD EQUIPMENT:** All models equipped with legs and 20' (6m) of cable. Single phase size 14/3 type SJOW. Three phase size 14/4 type SOW.

MOTOR SPECIFICATIONS:

- SINGLE PHASE:** Air motor with overload protection in motor.
- THREE PHASE:** Air motor, overload protection required in magnetic starter.
- INSULATION:** Class-B
- SHAFT:** 5/8" (16mm) dia., 416 Stainless Steel.
- LOWER BEARING:** Ball, oil lubricated.
- TOP BEARING:** Ball, oil lubricated.

OPTIONAL EQUIPMENT:

- High temp winding and seal Liquides 190°F
- Slide away coupling
- Impeller trims



SPECIFICATION DATA

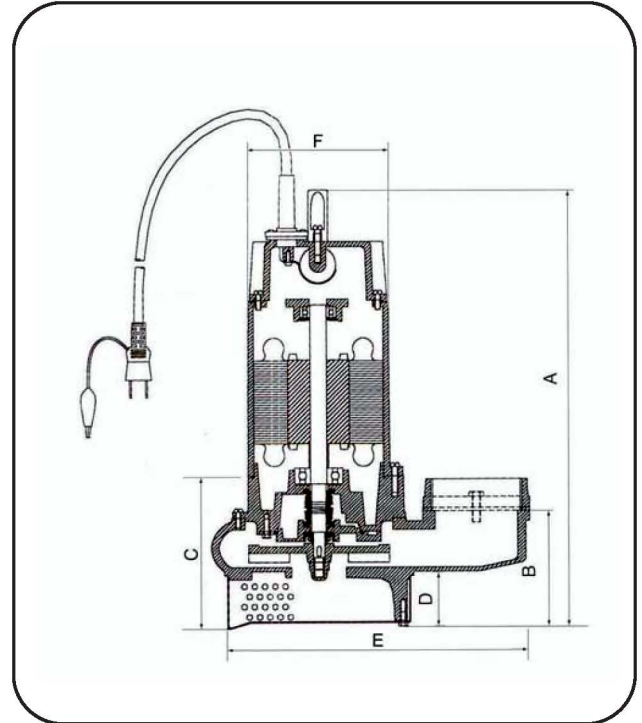
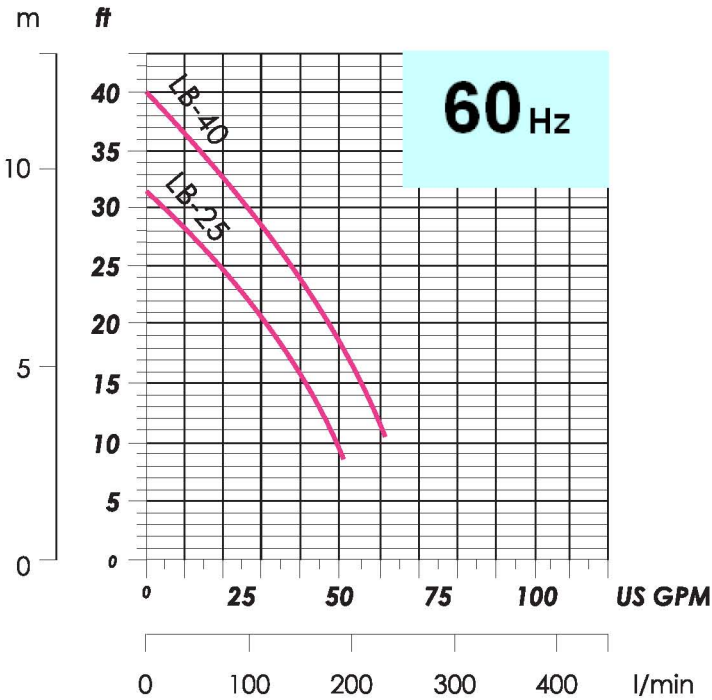
Single phase pumps available with a liquid level control for automatic operation.

- Simplex
- Duplex
- Triplex

SUBMITTAL DATA SHEET
 ISSUE DATE: MAY 2008
 REVISION DATE: MAY 2008

Tag

Specified Capacity



SPECIFICATIONS

MODELS	OUTLET		Elec. MOTOR			Voltage / Phase / HZ	Solid Pass		Weight Poids	
	mm	in	Hp	Amp.			mm	in.	kg.	lbs
				Start	Run					
<input type="checkbox"/> LB-25-33-0.16	40	1 1/2	1/3	11	3.5	115/1/60	9	3/8	13.5	29.8
<input type="checkbox"/> LB-25-33-0.16	40	1 1/2	1/3	5	1.76	220/1/60	9	3/8	13.5	29.8
<input type="checkbox"/> LB-40-50-0.16	50	2	1/2	13	5	115/1/60	9	3/8	15	32
<input type="checkbox"/> LB-40-50-0.16	50	2	1/2	5	2.64	220/1/60	9	3/8	15	32
<input type="checkbox"/> LB-40-50-0.16	50	2	1/2	7.6	1.59	208/3/60	9	3/8	15	32
<input type="checkbox"/> LB-40-50-0.16	50	2	1/2	7.5	1.80	230/3/60	9	3/8	15	32
<input type="checkbox"/> LB-40-50-0.16	50	2	1/2	3.5	0.70	460/3/60	9	3/8	15	32
<input type="checkbox"/> LB-40-50-0.16	50	2	1/2	2.9	0.90	480/3/60	9	3/8	15	32
<input type="checkbox"/> LB-40-50-0.16	50	2	1/2	2	0.57	575/3/60	9	3/8	15	32

Models

LB-25/40

- A: 13.4" (340 mm)
- B: 3.2" (82 mm)
- C: 4.9" (125 mm)
- D: 1.75" (45 mm)
- E: 9.5" (241 mm)
- F: 5" (127 mm)

Submersible Effluent Pumps LB Series

SPECIFICATION DATA

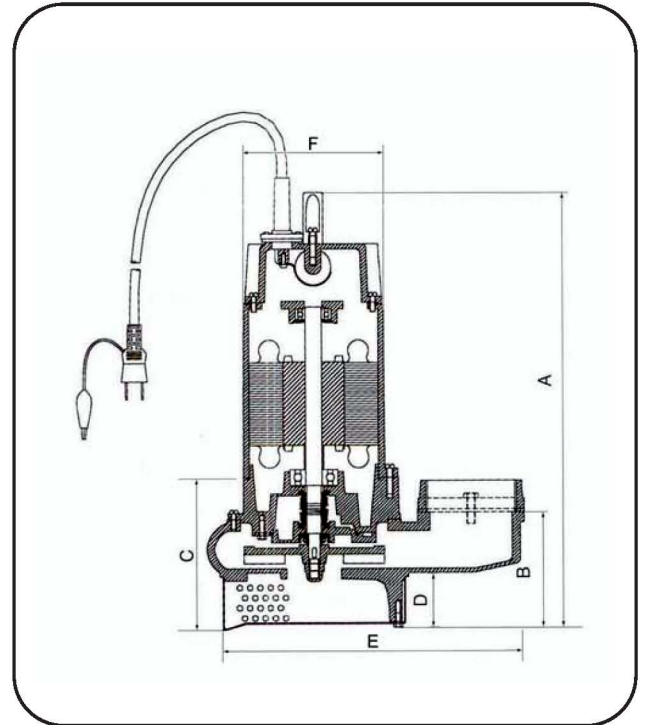
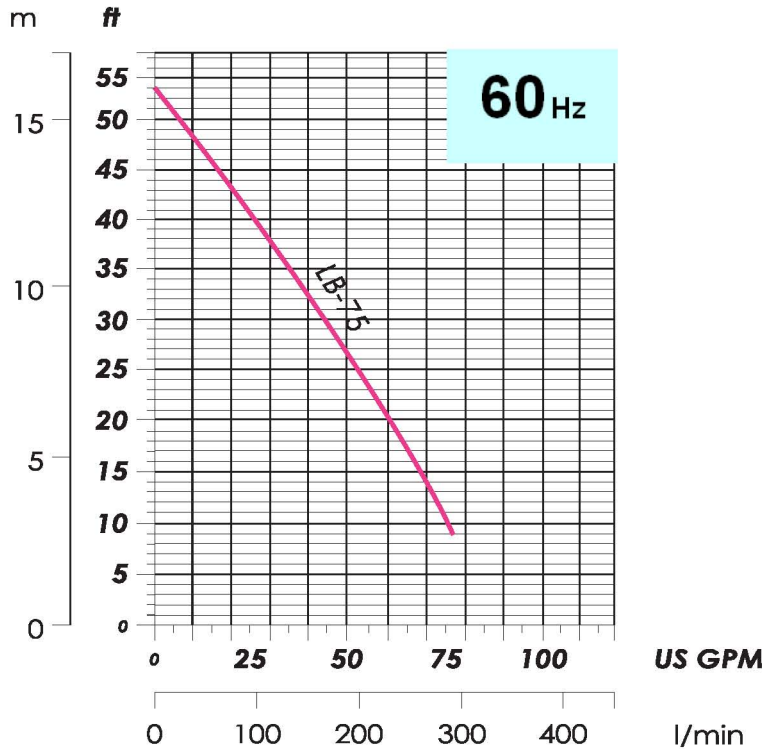
Single phase pumps available with a liquid level control for automatic operation.

- Simplex
- Duplex
- Triplex

SUBMITTAL DATA SHEET
 ISSUE DATE: MAY 2008
 REVISION DATE: MAY 2008

Tag _____

Specified Capacity



SPECIFICATIONS

MODELS	OUTLET		Elec. MOTOR			Voltage / Phase / HZ	Solid Pass		Weight Poids	
	mm	in	Hp	Amp.			mm	in.	kg.	lbs
				Start	Run					
<input type="checkbox"/> LB-75-1-0.24	50	2	1/2	30	10	115/1/60	9	3/8	21	46
<input type="checkbox"/> LB-75-1-0.24	50	2	1/2	15.4	5.29	220/1/60	9	3/8	21	46
<input type="checkbox"/> LB-75-1-0.24	50	2	1/2	15.8	3.17	208/3/60	9	3/8	21	46
<input type="checkbox"/> LB-75-1-0.24	50	2	1/2	15	3.7	230/3/60	9	3/8	21	46
<input type="checkbox"/> LB-75-1-0.24	50	2	1/2	7	1.40	460/3/60	9	3/8	21	46
<input type="checkbox"/> LB-75-1-0.24	50	2	1/2	7.8	1.70	480/3/60	9	3/8	21	46
<input type="checkbox"/> LB-75-1-0.24	50	2	1/2	4	1.14	575/3/60	9	3/8	21	46

Models

LB-75

- A: 15" (380 mm)
- B: 4.5" (115 mm)
- C: 5.5" (140 mm)
- D: 2.5" (64 mm)
- E: 11" (279 mm)
- F: 5.25" (133 mm)



SPECIFICATION DATA

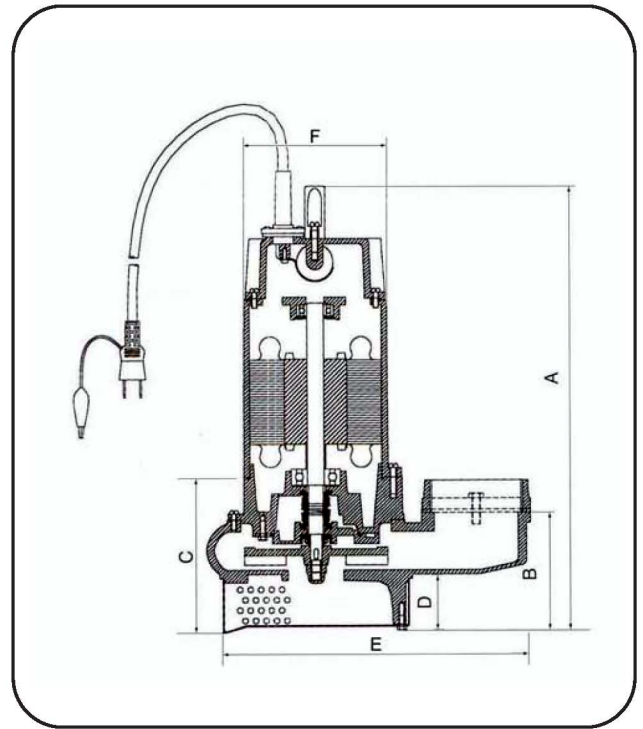
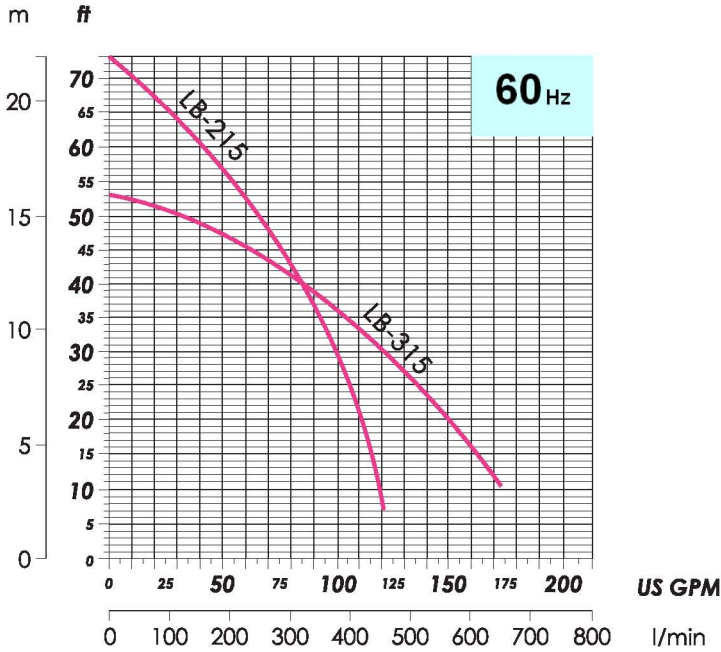
Single phase pumps available with a liquid level control for automatic operation.

- Simplex
- Duplex
- Triplex

SUBMITTAL DATA SHEET
 ISSUE DATE: MAY 2008
 REVISION DATE: MAY 2008

Tag

Specified Capacity



SPECIFICATIONS

MODELS	OUTLET		Elec. MOTOR			Voltage / Phase / HZ	Solid Pass		Weight Poids	
	mm	in	Hp	Amp.			mm	in.	kg.	lbs
				Start	Run					
<input type="checkbox"/> LB-215-2-0.32	50	2	1	36	10.58	220/1/60	9	3/8	25	55
<input type="checkbox"/> LB-215-2-0.32	50	2	1	24	6.35	208/3/60	9	3/8	25	55
<input type="checkbox"/> LB-215-2-0.32	50	2	1	22.5	5.9	230/3/60	9	3/8	25	55
<input type="checkbox"/> LB-215-2-0.32	50	2	1	12.1	2.87	460/3/60	9	3/8	25	55
<input type="checkbox"/> LB-215-2-0.32	50	2	1	13	2.68	480/3/60	9	3/8	25	55
<input type="checkbox"/> LB-215-2-0.32	50	2	1	9	2.30	575/3/60	9	3/8	25	55
<input type="checkbox"/> LB-315-2-0.32	80	3	1	36	10.58	220/1/60	9	3/8	25	55
<input type="checkbox"/> LB-315-2-0.32	80	3	1	24	6.35	208/3/60	9	3/8	25	55
<input type="checkbox"/> LB-315-2-0.32	80	3	1	22.5	5.9	230/3/60	9	3/8	25	55
<input type="checkbox"/> LB-315-2-0.32	80	3	1	12.1	2.87	460/3/60	9	3/8	25	55
<input type="checkbox"/> LB-315-2-0.32	80	3	1	13	2.68	480/3/60	9	3/8	25	55
<input type="checkbox"/> LB-315-2-0.32	80	3	1	9	2.30	575/3/60	9	3/8	25	55

Models

LB-215/315

- A: 15" (380 mm)
- B: 4.5" (115 mm)
- C: 5.5" (140 mm)
- D: 2.5" (64 mm)
- E: 12" (305 mm)
- F: 5.25" (133 mm)





- Simplex
- Duplex
- Triplex

SUBMITTAL DATA SHEET
 ISSUE DATE: MAY 2008
 REVISION DATE: MAY 2008

MODELS	DISCHARGE	SOLID
LBV-40	2"	3/4"
LBV-75	2"	2"
LBV-215	2"	2"
LBV-315	3"	2"

PUMP SPECIFICATIONS:

DISCHARGE: Vertical

IMPELLER: 2 vanes open with pump out vanes on back side.

SHAFT SEAL: Double mechanical seals (Tungsten on Carbon) in oil chamber for exceptional durability.

VOLUTE: Cast Iron, ASTM A-48, Class 30.

MOTOR HOUSING: Cast Iron, ASTM A-48, Class 30.

SEAL PLATE: Cast Iron, ASTM A-48, Class 30.

SQUARE RING: BUNA-N.

HARDWARE: Stainless Steel.

SUITABLE FOR: 104 °F (40 °C) Liquids.

STANDARD EQUIPMENT: All models equipped with legs and 20' (6m) of cable. Single phase size 14/3 type SJOW. Three phase size 14/4 type SOW.

MOTOR SPECIFICATIONS:

SINGLE PHASE: Air motor with overload protection in motor.

THREE PHASE: Air motor, overload protection required in magnetic starter.

INSULATION: Class-B

SHAFT: 5/8 " (16mm) dia., 416 Stainless Steel.

LOWER BEARING: Ball, oil lubricated.

TOP BEARING: Ball, oil lubricated.

OPTIONAL EQUIPMENT:

- Additional cable
- Slide away coupling
- Impeller trims



SPECIFICATION DATA

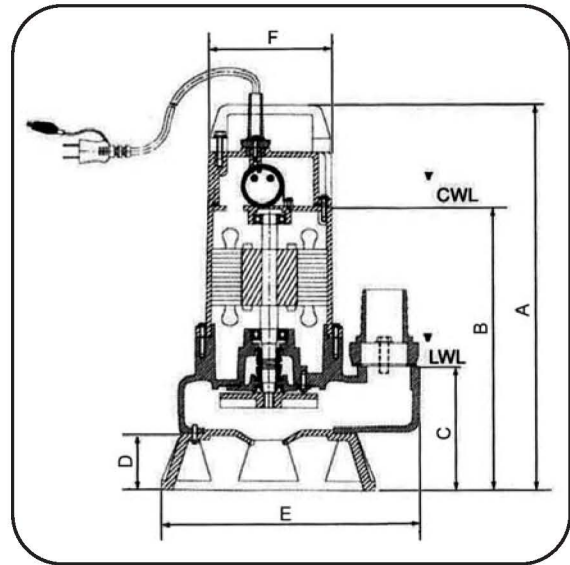
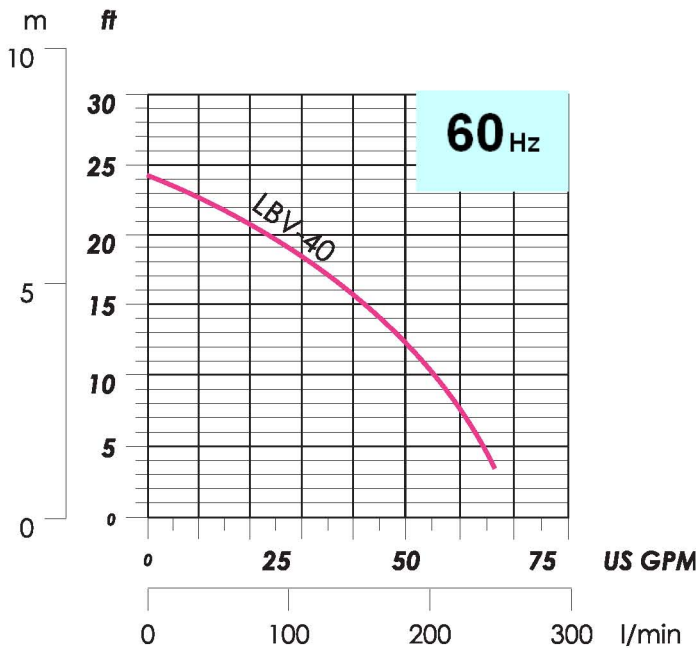
Single phase pumps available with a liquid level control for automatic operation.

Tag

Specified Capacity

SUBMITTAL DATA SHEET
 ISSUE DATE: MAY 2008
 REVISION DATE: MAY 2008

- Simplex
- Duplex
- Triplex



SPECIFICATIONS

MODELS	OUTLET		Elec. MOTOR			Voltage / Phase / HZ	Solid Pass		Weight Poids	
	mm	in	Hp	Amp.			mm	in.	kg.	lbs
				Start	Run					
LBV-40-50-0.6	50	2	1/2	13	5	115/1/60	19	3/4	16	34
LBV-40-50-0.6	50	2	1/2	5	2.64	220/1/60	19	3/4	16	34
LBV-40-50-0.6	50	2	1/2	7.6	1.59	208/3/60	19	3/4	16	34
LBV-40-50-0.6	50	2	1/2	7.5	1.8	230/3/60	19	3/4	16	34
LBV-40-50-0.6	50	2	1/2	3.5	0.7	460/3/60	19	3/4	16	34
LBV-40-50-0.6	50	2	1/2	3.9	0.90	480/3/60	19	3/4	16	34
LBV-40-50-0.6	50	2	1/2	2	0.57	575/3/60	19	3/4	16	34

Models

LBV-40

- A: 14.3" (363 mm)
- B: 10" (254 mm)
- C: 4.1" (104 mm)
- D: 2" (51 mm)
- E: 9.5" (241 mm)
- F: 5" (127 mm)

SUBMITTAL DATA SHEET
 ISSUE DATE: MAY 2008
 REVISION DATE: MAY 2008

Submersible Sewage Pumps LBV Series

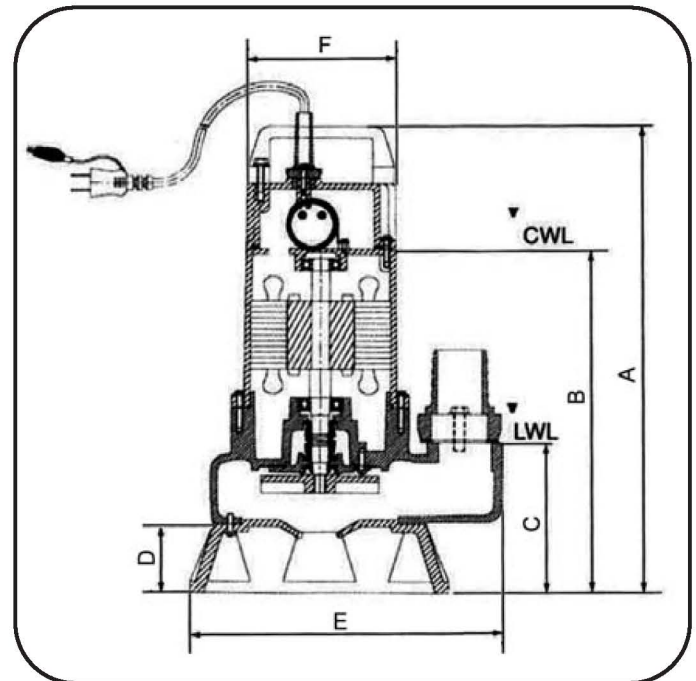
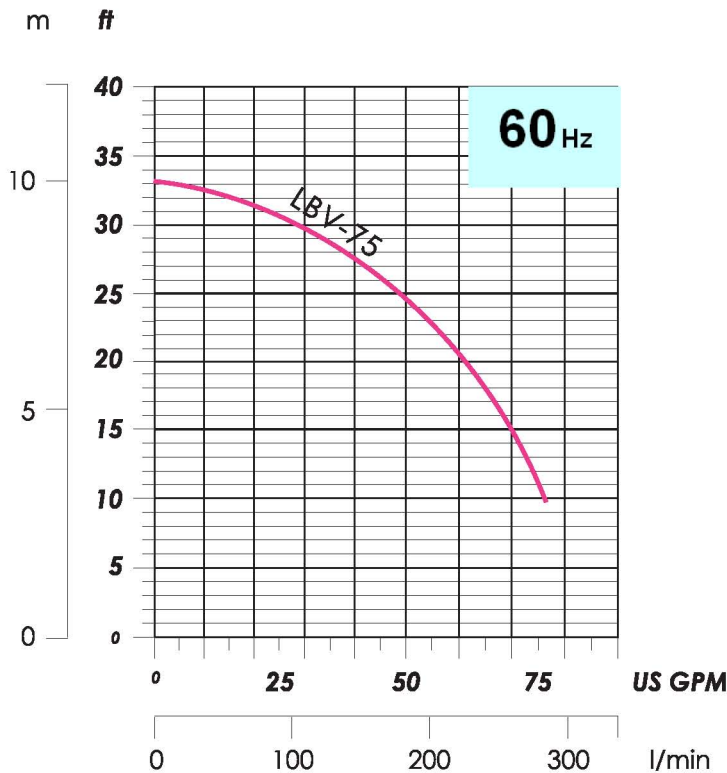
SPECIFICATION DATA

Single phase pumps available with a liquid level control for automatic operation.

Tag _____

- Simplex
- Duplex
- Triplex

Specified Capacity _____



SPECIFICATIONS

MODELS	OUTLET		Elec. MOTOR			Voltage / Phase / HZ	Solid Pass		Weight Poids	
	mm	in	Hp	Amp.			mm	in.	kg.	lbs
				Start	Run					
<input type="checkbox"/> LBV-75-1-1.1	50	2	1/2	30	10	115/1/60	50	2	21	46
<input type="checkbox"/> LBV-75-1-1.1	50	2	1/2	15.4	5.29	220/1/60	50	2	21	46
<input type="checkbox"/> LBV-75-1-1.1	50	2	1/2	15.8	3.17	208/3/60	50	2	21	46
<input type="checkbox"/> LBV-75-1-1.1	50	2	1/2	15	3.7	230/3/60	50	2	21	46
<input type="checkbox"/> LBV-75-1-1.1	50	2	1/2	7	1.4	460/3/60	50	2	21	46
<input type="checkbox"/> LBV-75-1-1.1	50	2	1/2	7.8	1.70	480/3/60	50	2	21	46
<input type="checkbox"/> LBV-75-1-1.1	50	2	1/2	4	1.14	575/3/60	50	2	21	46

Models

LBV-75

- A: 15.9" (403 mm)
- B: 11.6" (294 mm)
- C: 5.2" (132 mm)
- D: 3" (76 mm)
- E: 11.5" (292 mm)
- F: 5" (127 mm)



SPECIFICATION DATA

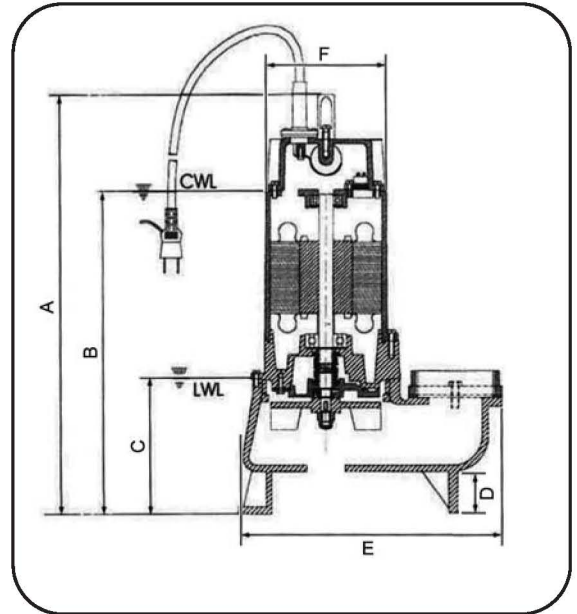
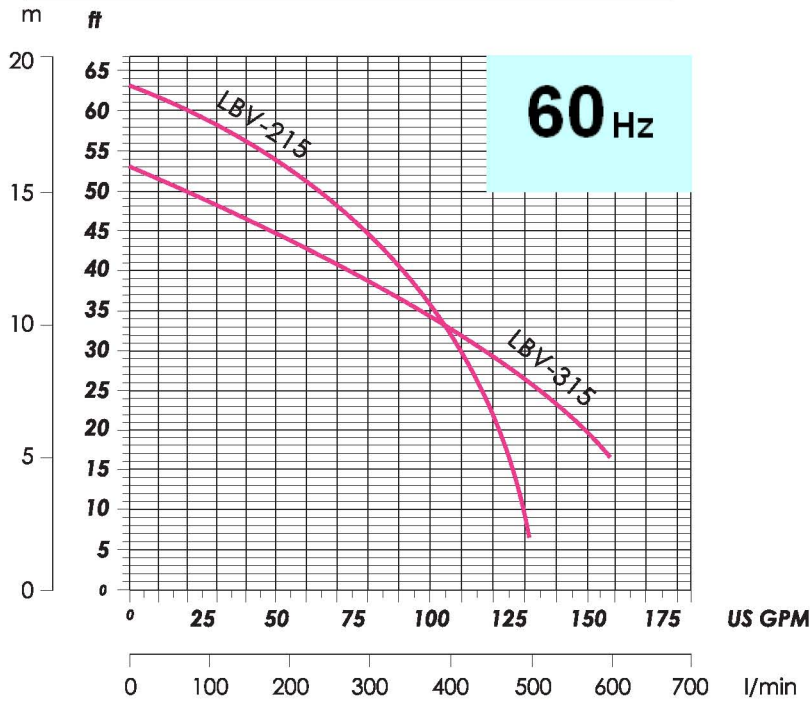
Single phase pumps available with a liquid level control for automatic operation.

- Simplex
- Duplex
- Triplex

SUBMITTAL DATA SHEET
 ISSUE DATE: MAY 2008
 REVISION DATE: MAY 2008

Tag _____

Specified Capacity



SPECIFICATIONS

MODELS	OUTLET		Elec. MOTOR			Voltage / Phase / HZ	Solid Pass		Weight Poids	
	mm	in	Hp	Amp.			mm	in.	kg.	lbs
				Start	Run					
<input type="checkbox"/> LBV-215-2-1.3	50	2	1	36	10.58	220/1/60	50	2	25	55
<input type="checkbox"/> LBV-215-2-1.3	50	2	1	24	6.35	208/3/60	50	2	25	55
<input type="checkbox"/> LBV-215-2-1.3	50	2	1	22.5	5.9	230/3/60	50	2	25	55
<input type="checkbox"/> LBV-215-2-1.3	50	2	1	12.1	2.87	460/3/60	50	2	25	55
<input type="checkbox"/> LBV-215-2-1.3	50	2	1	13	2.68	480/3/60	50	2	25	55
<input type="checkbox"/> LBV-215-2-1.3	50	2	1	9	2.30	575/3/60	50	2	25	55
<input type="checkbox"/> LBV-315-2-1.3	80	3	1	36	10.58	220/1/60	50	2	25	55
<input type="checkbox"/> LBV-315-2-1.3	80	3	1	24	6.35	208/3/60	50	2	25	55
<input type="checkbox"/> LBV-315-2-1.3	80	3	1	22.5	5.9	230/3/60	50	2	25	55
<input type="checkbox"/> LBV-315-2-1.3	80	3	1	12.1	2.87	460/3/60	50	2	25	55
<input type="checkbox"/> LBV-315-2-1.3	80	3	1	13	2.68	480/3/60	50	2	25	55
<input type="checkbox"/> LBV-315-2-1.3	80	3	1	9	2.30	575/3/60	50	2	25	55

Models

LBV-215/315

- A: 18.2" (462 mm)
- B: 13.9" (354 mm)
- C: 5.7" (146 mm)
- D: 2.5" (64 mm)
- E: 12" (305 mm)
- F: 5.25" (133 mm)



- Simplex
- Duplex
- Triplex

SUBMITTAL DATA SHEET
 ISSUE DATE: MAY 2008
 REVISION DATE: MAY 2008

	MODELS	DISCHARGE	SOLID
<input type="checkbox"/>	LBK-75	2"	3/4"
<input type="checkbox"/>	LBK-215	3"	1 1/2"
<input type="checkbox"/>	LBK-315	3"	1 1/2"

PUMP SPECIFICATIONS:

DISCHARGE: Vertical

IMPELLER: 2 vanes open with pump out vanes on back side.

SHAFT SEAL: Double mechanical seals (Tungsten on Carbon) in oil chamber for exceptional durability.

VOLUTE: Cast Iron, ASTM A-48, Class 30.

MOTOR HOUSING: Cast Iron, ASTM A-48, Class 30.

SEAL PLATE: Cast Iron, ASTM A-48, Class 30.

SQUARE RING: BUNA-N.

HARDWARE: Stainless Steel.

SUITABLE FOR: 104 °F (40 °C) Liquids.

STANDARD EQUIPMENT: All models equipped with legs and 20' (6m) of cable. Single phase size 14/3 type SJOW. Three phase size 14/4 type SOW.

MOTOR SPECIFICATIONS:

SINGLE PHASE: Air motor with overload protection in motor.

THREE PHASE: Air motor, overload protection required in magnetic starter.

INSULATION: Class-B

SHAFT: 5/8 " (16mm) dia., 416 Stainless Steel.

LOWER BEARING: Ball, oil lubricated.

TOP BEARING: Ball, oil lubricated.

OPTIONAL EQUIPMENT:

- Additional cable
- Slide away coupling
- Impeller trims



SPECIFICATION DATA

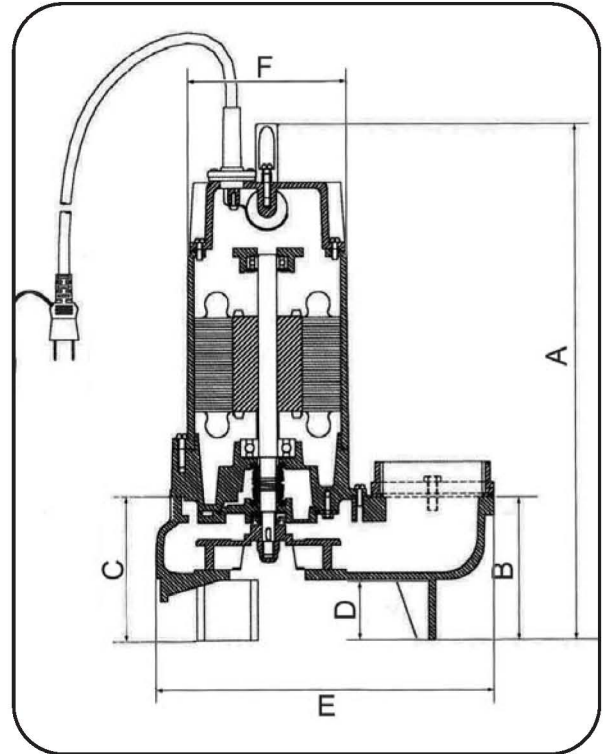
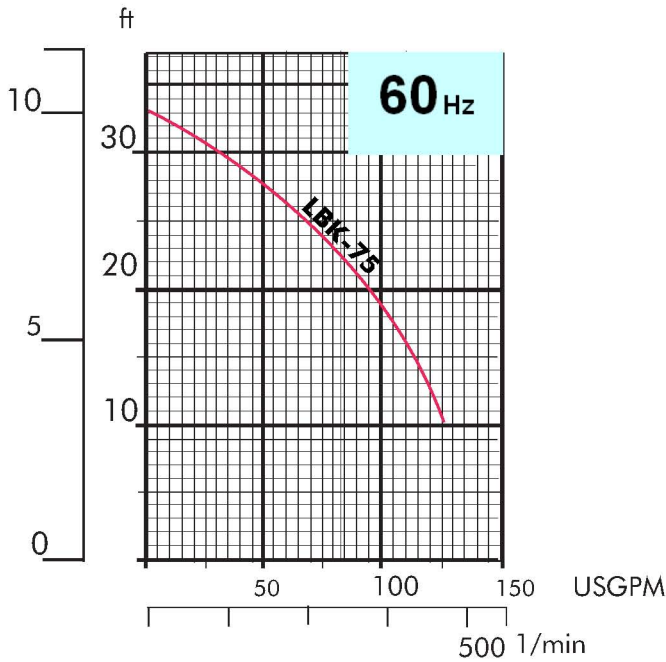
Single phase pumps available with a liquid level control for automatic operation.

Tag _____

Specified Capacity _____

- Simplex
- Duplex
- Triplex

SUBMITTAL DATA SHEET
 ISSUE DATE: MAY 2008
 REVISION DATE: MAY 2008



SPECIFICATIONS

MODELS	OUTLET		Elec. MOTOR			Voltage / Phase / HZ	Solid Pass		Weight Poids	
	mm	in	Hp	Amp.			mm	in.	kg.	lbs
				Start	Run					
<input type="checkbox"/> LBK-75-1-1.8	50	2	1/2	30	9	115/1/60	19	3/4	20.5	45
<input type="checkbox"/> LBK-75-1-1.8	50	2	1/2	15.4	4.2	220/1/60	19	3/4	20.5	45
<input type="checkbox"/> LBK-75-1-1.8	50	2	1/2	15.8	3.2	208/3/60	19	3/4	20.5	45
<input type="checkbox"/> LBK-75-1-1.8	50	2	1/2	15	3.7	230/3/60	19	3/4	20.5	45
<input type="checkbox"/> LBK-75-1-1.8	50	2	1/2	7	1.9	460/3/60	19	3/4	20.5	45
<input type="checkbox"/> LBK-75-1-1.8	50	2	1/2	7.8	1.70	480/3/60	19	3/4	20.5	45
<input type="checkbox"/> LBK-75-1-1.8	50	2	1/2	4	0.90	575/3/60	19	3/4	20.5	45

Models / Modèles

LBK-75

A: 17.6" (448 mm)

B: 4.8" (121 mm)

C: 4.9" (124 mm)

D: 2.25" (57 mm)

E: 12.25" (311 mm)

F: 6" (152 mm)

SPECIFICATION DATA

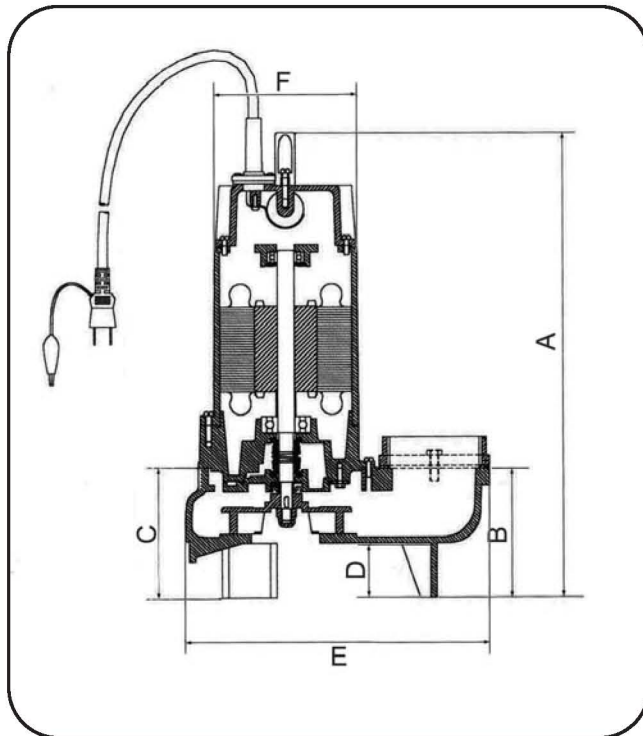
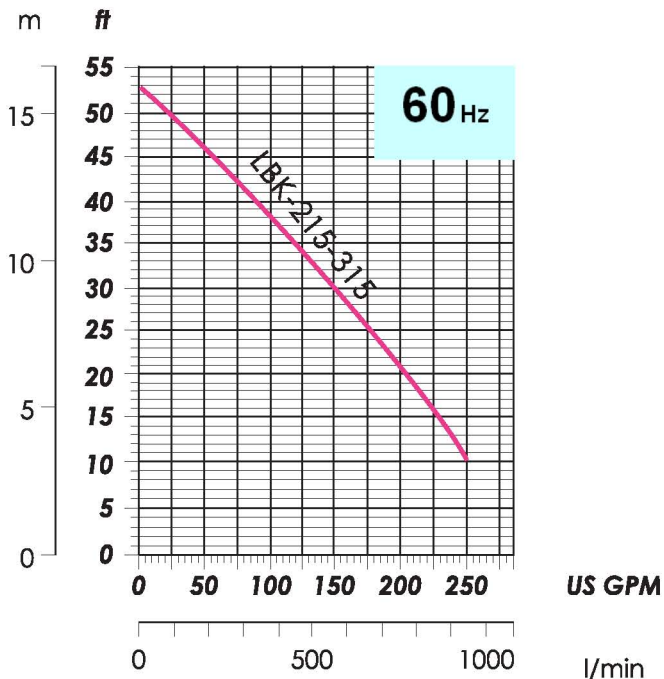
Single phase pumps available with a liquid level control for automatic operation.

- Simplex
- Duplex
- Triplex

SUBMITTAL DATA SHEET
 ISSUE DATE: MAY 2008
 REVISION DATE: MAY 2008

Tag / Identification

Specified Capacity / Capacité Spécifié e:



SPECIFICATIONS

MODELS	OUTLET		Elec. MOTOR			Voltage / Phase / HZ	Solid Pass		Weight Poids	
	mm	in	Hp	Amp.			mm	in.	kg.	lbs
				Start	Run					
<input type="checkbox"/> LBK-215-2-1.8	50	2	1	36	10.58	220/1/60	40	1 1/2	25	55
<input type="checkbox"/> LBK-215-2-1.8	50	2	1	24	6.35	208/3/60	40	1 1/2	25	55
<input type="checkbox"/> LBK-215-2-1.8	50	2	1	22.5	5.9	230/3/60	40	1 1/2	25	55
<input type="checkbox"/> LBK-215-2-1.8	50	2	1	12.1	2.87	460/3/60	40	1 1/2	25	55
<input type="checkbox"/> LBK-215-2-1.8	50	2	1	13	2.68	480/3/60	40	1 1/2	25	55
<input type="checkbox"/> LBK-215-2-1.8	50	2	1	9	2.30	575/3/60	40	1 1/2	25	55
<input type="checkbox"/> LBK-315-2-1.8	80	3	1	36	10.58	220/1/60	40	1 1/2	25	55
<input type="checkbox"/> LBK-315-2-1.8	80	3	1	24	6.35	208/3/60	40	1 1/2	25	55
<input type="checkbox"/> LBK-315-2-1.8	80	3	1	22.5	5.9	230/3/60	40	1 1/2	25	55
<input type="checkbox"/> LBK-315-2-1.8	80	3	1	12.1	2.87	460/3/60	40	1 1/2	25	55
<input type="checkbox"/> LBK-315-2-1.8	80	3	1	13	2.68	480/3/60	40	1 1/2	25	55
<input type="checkbox"/> LBK-315-2-1.8	80	3	1	9	2.30	575/3/60	40	1 1/2	25	55

Models / Modèles **LBK-215/315**

- A: 17.6" (448 mm)
- B: 4.8" (121 mm)
- C: 4.9" (124 mm)
- D: 2.25" (57 mm)
- E: 12.25" (311 mm)
- F: 6" (152 mm)



SUBMITTAL DATA SHEET ISSUE DATE: MAY 2008 REVISION DATE: MAY 2008



Simplex

Duplex

Triplex

	MODELS	DISCHARGE	SOLID
<input type="checkbox"/>	FBV-322	3"	3"
<input type="checkbox"/>	FBV-337	3"	3"
<input type="checkbox"/>	FBV-437	4"	3"

PUMP SPECIFICATIONS:

DISCHARGE: Vertical

IMPELLER: 2 vanes open with pump
out vanes on back side.

SHAFT SEAL: Double mechanical seals
(Tungsten on Carbon)
in oil chamber for exceptional durability.

VOLUTE: Cast Iron, ASTM A-48, Class 30.

MOTOR HOUSING: Cast Iron, ASTM A-48, Class 30.

SEAL PLATE: Cast Iron, ASTM A-48, Class 30.

SQUARE RING: BUNA-N.

HARDWARE: Stainless Steel.

SUITABLE FOR: 104 °F (40 °C) Liquids.

STANDARD EQUIPMENT: All models equipped with legs and
33' (10m) of cable. Three phase size
14/4 type SOW.

MOTOR SPECIFICATIONS:

SINGLE PHASE: Air motor with overload protection in motor.

THREE PHASE: Air motor, overload protection
required in magnetic starter.

INSULATION: Class-B

SHAFT: 5/8 " (16mm) dia., 416 Stainless Steel.

LOWER BEARING: Ball, oil lubricated.

TOP BEARING: Ball, oil lubricated.

OPTIONAL EQUIPMENT:

Additional cable

Slide away coupling

Impeller trims

Submersible Sewage Pumps FBV Series

SPECIFICATION DATA

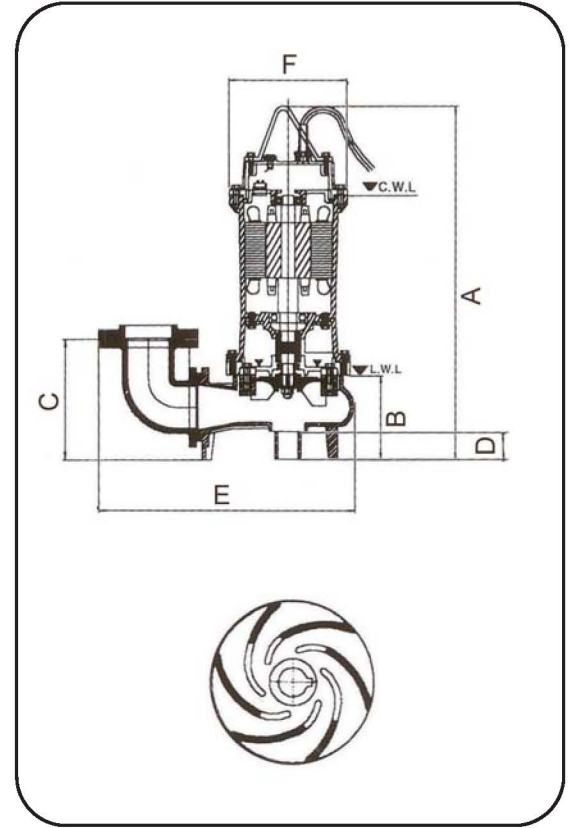
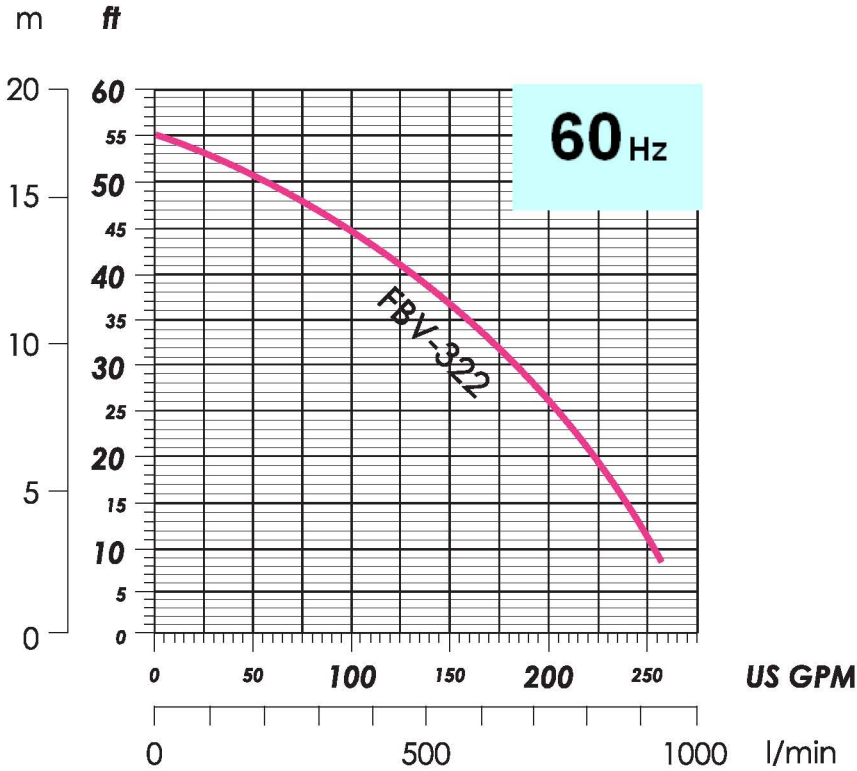
Single phase pumps available with a liquid level control for automatic operation.

- Simplex
- Duplex
- Triplex

SUBMITTAL DATA SHEET
 ISSUE DATE: MAY 2008
 REVISION DATE: MAY 2008

Tag / Identification

Specified Capacity / Capacité Spécifiée :



SPECIFICATIONS

MODELS	OUTLET		Elec. MOTOR			Voltage / Phase / HZ	Solid Pass		Weight Poids	
	mm	in	Hp	Amp.			mm	in.	kg.	lbs
				Start	Run					
<input type="checkbox"/> FBV-322-3-2.2	80	3	2	40.5	9.52	208/3/60	80	3	50	110
<input type="checkbox"/> FBV-322-3-2.2	80	3	2	41.2	8.7	230/3/60	80	3	50	110
<input type="checkbox"/> FBV-322-3-2.2	80	3	2	20.5	4.2	460/3/60	80	3	50	110
<input type="checkbox"/> FBV-322-3-2.2	80	3	2	21	4.10	480/3/60	80	3	50	110
<input type="checkbox"/> FBV-322-3-2.2	80	3	2	12	3.42	575/3/60	80	3	50	110

Models / Modèles

FBV-322

- A: 25.1" (638 mm)
- B: 5.9" (151 mm)
- C: 8.6" (218 mm)
- D: 2" (51 mm)
- E: 18.2" (463 mm)
- F: 7" (178 mm)



SPECIFICATION DATA

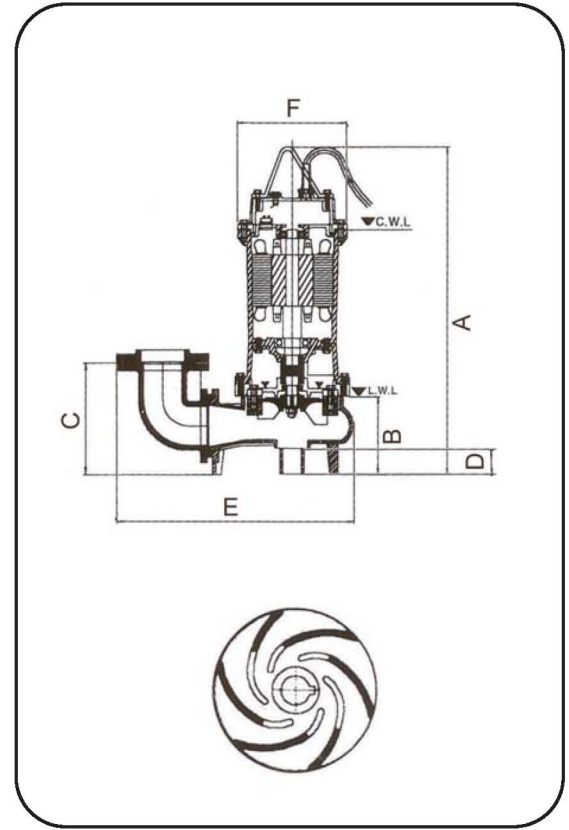
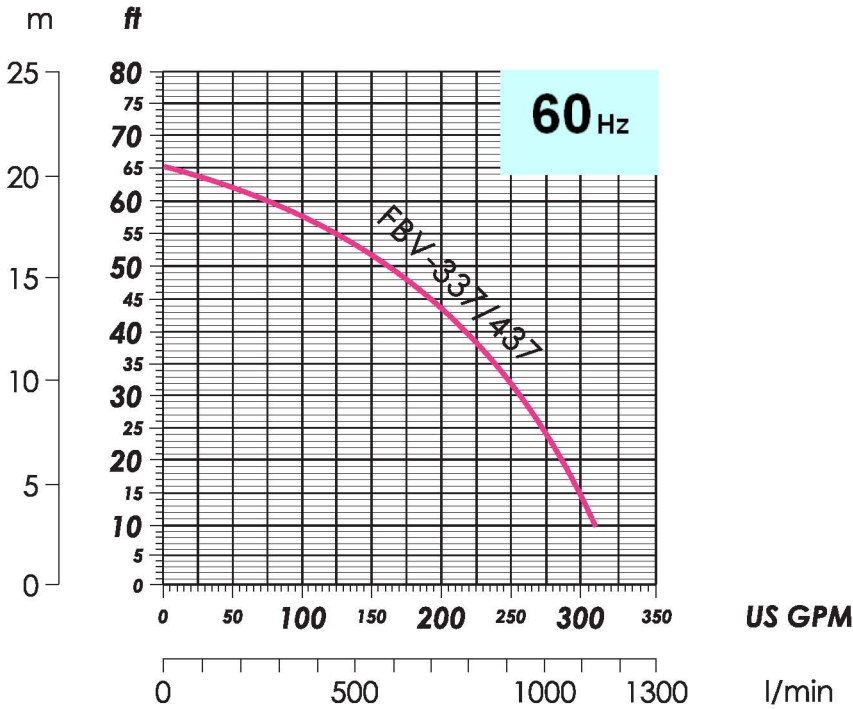
Single phase pumps available with a liquid level control for automatic operation.

- Simplex
- Duplex
- Triplex

SUBMITTAL DATA SHEET
 ISSUE DATE: MAY 2008
 REVISION DATE: MAY 2008

Tag / Identification

Specified Capacity / Capacité Spécifié e:



SPECIFICATIONS

MODELS	OUTLET		Elec. MOTOR			Voltage / Phase / HZ	Solid Pass		Weight Poids	
	mm	in	Hp	Amp.			mm	in.	kg.	lbs
				Start	Run					
<input type="checkbox"/> FBV-337-5-2.2	80	3	3	58	15.8	220/1/60	80	3	54	119
<input type="checkbox"/> FBV-337-5-2.2	80	3	3	60	13	208/3/60	80	3	54	119
<input type="checkbox"/> FBV-337-5-2.2	80	3	3	35	7	230/3/60	80	3	54	119
<input type="checkbox"/> FBV-337-5-2.2	80	3	3	32	6.8	460/3/60	80	3	54	119
<input type="checkbox"/> FBV-337-5-2.2	80	3	3	25	5.70	575/3/60	80	3	54	119
<input type="checkbox"/> FBV-437-5-2.2	100	4	3	58	15.8	208/3/60	80	3	54	119
<input type="checkbox"/> FBV-437-5-2.2	100	4	3	60	13	230/3/60	80	3	54	119
<input type="checkbox"/> FBV-437-5-2.2	100	4	3	35	7	460/3/60	80	3	54	119
<input type="checkbox"/> FBV-437-5-2.2	100	4	3	32	6.8	480/3/60	80	3	54	119
<input type="checkbox"/> FBV-437-5-2.2	100	4	3	25	5.70	575/3/60	80	3	54	119

Models / Modèles
FBV-337/437

- A: 25.1" (638 mm)
- B: 5.9" (151 mm)
- C: 8.6" (218 mm)
- D: 2" (51 mm)
- E: 18.2" (463 mm)
- F: 7" (178 mm)





- Simplex
- Duplex
- Triplex

SUBMITTAL DATA SHEET
 ISSUE DATE: MAY 2008
 REVISION DATE: MAY 2008

MODELS	DISCHARGE	SOLID
LBV40 econo	2"	3/4"

PUMP SPECIFICATIONS:

- DISCHARGE:** Vertical
- IMPELLER:** 2 vanes open with pump out vanes on back side.
- SHAFT SEAL:** single mechanical seal

- VOLUTE:** Thermoplastic .
- MOTOR HOUSING:** Thermoplastic .
- SEAL PLATE:** Thermoplastic
- SQUARE RING:** BUNA-N.
- HARDWARE:** Stainless Steel.
- SUITABLE FOR:** 104 °F (40 °C) Liquids.
- STANDARD EQUIPMENT:** All models equipped with legs and 20' (6m) of cable. Single phase size 14/3 type SJOW. Three phase size 14/4 type SOW.

MOTOR SPECIFICATIONS:

- SINGLE PHASE:** Air motor with overload protection in motor.
- THREE PHASE:** Air motor, overload protection required in magnetic starter.
- INSULATION:** Class-B
- SHAFT:** 5/8 " (16mm) dia., 416 Stainless Steel.
- LOWER BEARING:** Ball, oil lubricated.
- TOP BEARING:** Ball, oil lubricated.

OPTIONAL EQUIPMENT:

- Additional cable
- Slide away coupling
- Impeller trims





SPECIFICATION DATA

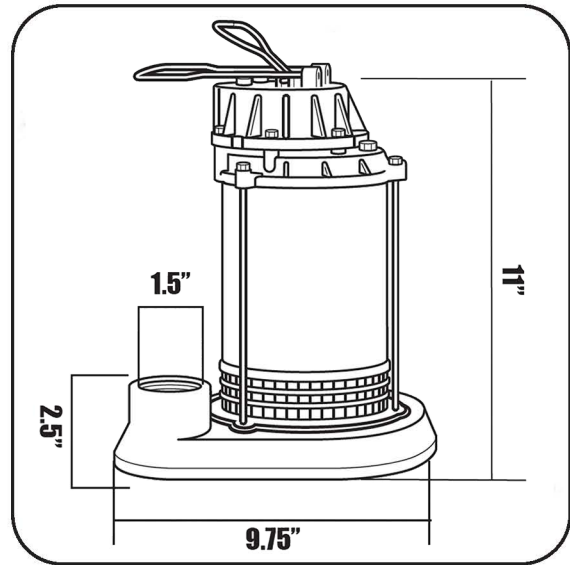
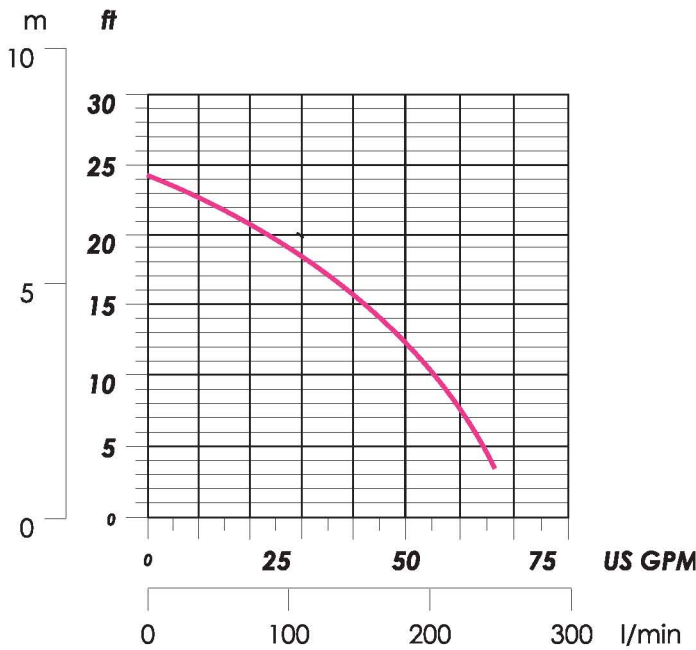
Single phase pumps available with a liquid level control for automatic operation.

Tag

Specified Capacity

SUBMITTAL DATA SHEET
 ISSUE DATE: MAY 2008
 REVISION DATE: MAY 2008

- Simplex
- Duplex
- Triplex



SPECIFICATIONS

MODELS	OUTLET		Elec. MOTOR			Voltage / Phase / HZ	Solid Pass		Weight Poids	
	mm	in.	Hp	Amp.			mm	in.	kg.	lbs
				Start	Run					
LBV40 econo	50	2	1/2	13	5	115/1/60	19	3/4	16	34

Models

LBV-40ECONO

- A: 14.3" (363 mm)
- B: 10" (254 mm)
- C: 4.1" (104 mm)
- D: 2" (51 mm)
- E: 9.5" (241 mm)
- F: 5" (127 mm)





- Simplex
- Duplex
- Triplex

SUBMITTAL DATA SHEET
 ISSUE DATE: MAY 2008
 REVISION DATE: MAY 2008

	MODELS	DISCHARGE	SOLID
<input type="checkbox"/>	PDZ-3	2"	3/8"

PUMP SPECIFICATIONS:

- DISCHARGE:** Vertical
- IMPELLER:** 2 vanes open with pump out vanes on back side.
- SHAFT SEAL:** Double mechanical seals (Tungsten on Carbon) in oil chamber for exceptional durability.
- VOLUTE:** Stainless Steel 304
- MOTOR HOUSING:** Stainless Steel 410 motor shaft
- SEAL PLATE:** Stainless Steel.
- SQUARE RING:** BUNA-N. NBR Volute Liner
- HARDWARE:** Stainless Steel.
- SUITABLE FOR:** 104°F (40°C) Liquids.
- STANDARD EQUIPMENT:** All models equipped with legs and 20' (6m) of cable. Single phase size 14/3 type SJOW. Three phase size 14/4 type SOW.
- STRAINER:** Stainless Steel 304

MOTOR SPECIFICATIONS:

- SINGLE PHASE:** Air motor with overload protection in motor.
- THREE PHASE:** Air motor, overload protection required in magnetic starter.
- INSULATION:** Class-B
- SHAFT:** 5/8" (16mm) dia., 416 Stainless Steel.
- LOWER BEARING:** Ball, oil lubricated.
- TOP BEARING:** Ball, oil lubricated.

OPTIONAL EQUIPMENT:

- High temp winding and seal Liquides 190°F
- Slide away coupling
- Impeller trims



SPECIFICATION DATA

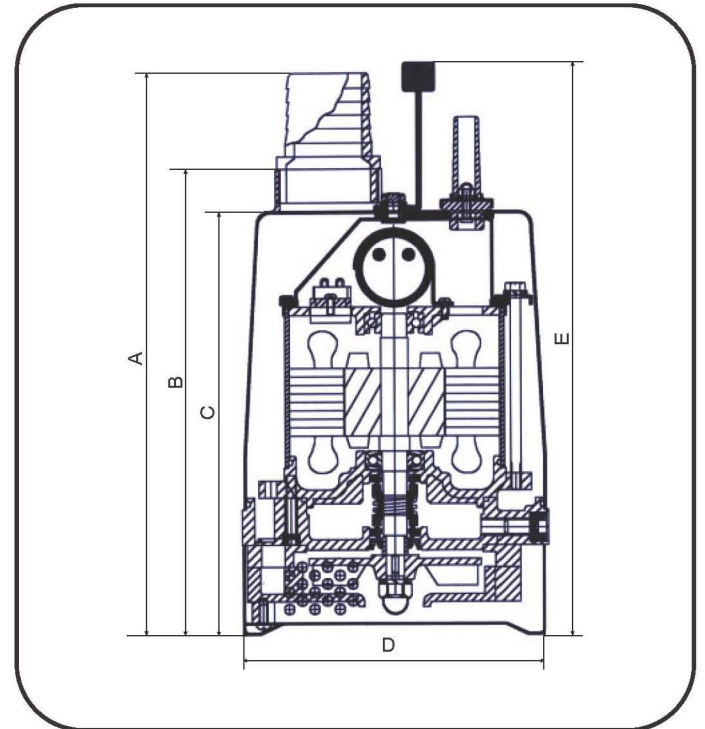
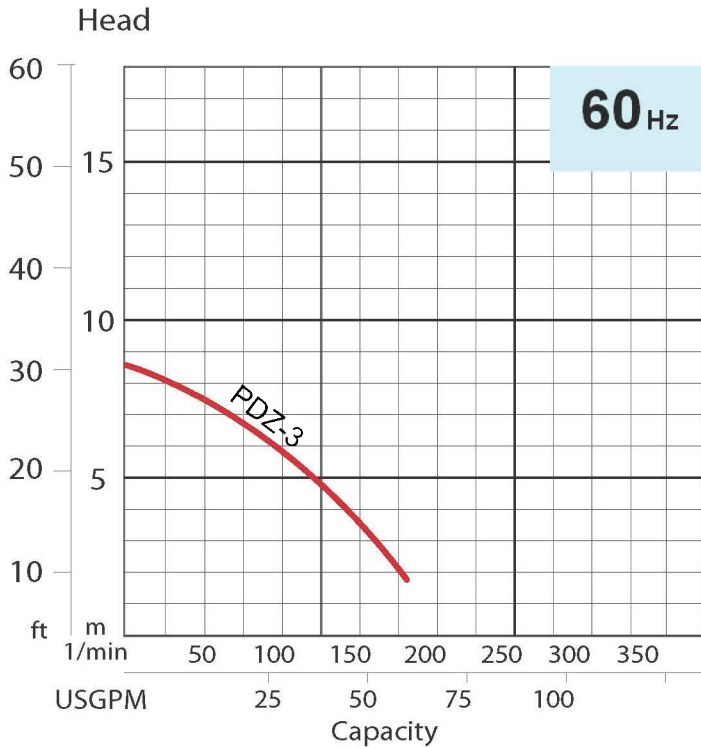
Single phase pumps available with a liquid level control for automatic operation.

- Simplex
- Duplex
- Triplex

SUBMITTAL DATA SHEET
 ISSUE DATE: MAY 2008
 REVISION DATE: MAY 2008

Tag / Identification

Specified Capacity / Capacité Spécifiée:



SPECIFICATIONS

MODELS	OUTLET		Elec. MOTOR			Voltage / Phase / HZ	Solid Pass		Weight Poids	
	mm	in	Hp	Amp.			mm	in.	kg.	lbs
				Start	Run					
<input type="checkbox"/> PDZ-3	40	1 1/2	1/3	14.5	3.5	110 Volt	6	0.24	12	26

Models

FS-250

- A: 13" (332 mm)
- B: 10.8" (276 mm)
- C: 9.8" (250 mm)
- D: 7.0" (179 mm)
- E: 13.3" (338 mm)



- Simplex
- Duplex
- Triplex

SUBMITTAL DATA SHEET
 ISSUE DATE: MAY 2008
 REVISION DATE: MAY 2008

	MODELS	DISCHARGE	SOLID
<input type="checkbox"/>	FS-400	2"	3/8"

PUMP SPECIFICATIONS:

- DISCHARGE:** Vertical
- IMPELLER:** 2 vanes open with pump out vanes on back side.
- SHAFT SEAL:** Double mechanical seals (Tungsten on Carbon) in oil chamber for exceptional durability.
- VOLUTE:** Stainless Steel 304
- MOTOR HOUSING:** Stainless Steel 410 motor shaft
- SEAL PLATE:** Stainless Steel.
- SQUARE RING:** BUNA-N. NBR Volute Liner
- HARDWARE:** Stainless Steel.
- SUITABLE FOR:** 104°F (40°C) Liquids.
- STANDARD EQUIPMENT:** All models equipped with legs and 20' (6m) of cable. Single phase size 14/3 type SJOW. Three phase size 14/4 type SOW.
- STRAINER:** Stainless Steel 304

MOTOR SPECIFICATIONS:

- SINGLE PHASE:** Air motor with overload protection in motor.
- THREE PHASE:** Air motor, overload protection required in magnetic starter.
- INSULATION:** Class-B
- SHAFT:** 5/8" (16mm) dia., 416 Stainless Steel.
- LOWER BEARING:** Ball, oil lubricated.
- TOP BEARING:** Ball, oil lubricated.

OPTIONAL EQUIPMENT:

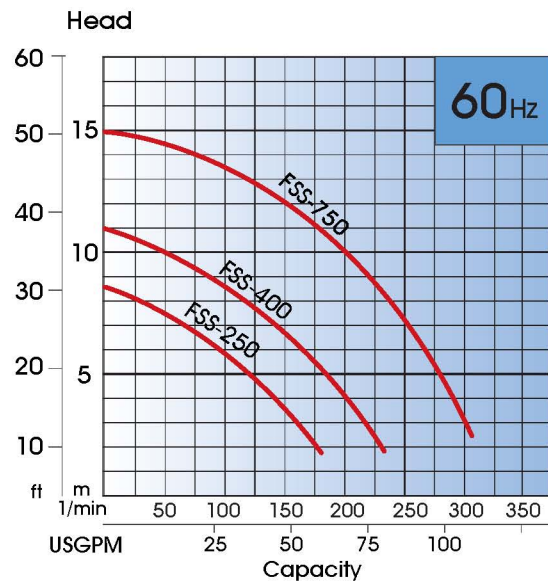
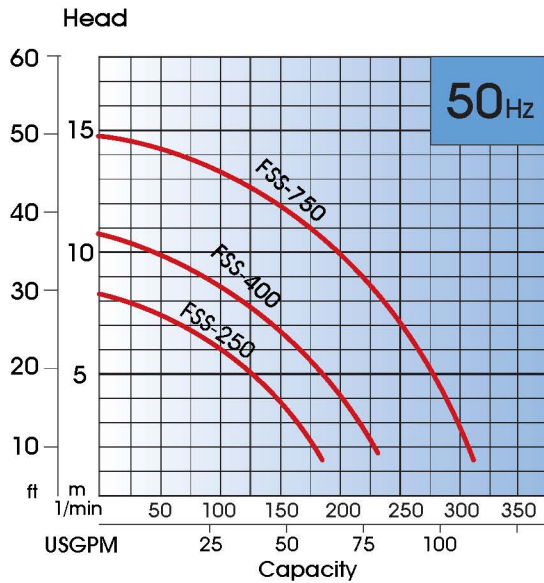
- High temp winding and seal Liquides 190°F
- Slide away coupling
- Impeller trims

Applications

- a. Abrasion & corrosion resistance for sea water transfer and various irrigation purposes.
- b. Food and beverage processing, chemical transfer or drainage of sump containing chemicals.
- c. Wastewater discharge for households, industries, and small municipalities.
- d. Construction sites & civil engineering projects incl.: subways, tunnels, dams.
- e. Utilities: telecommunications, power generation plants.



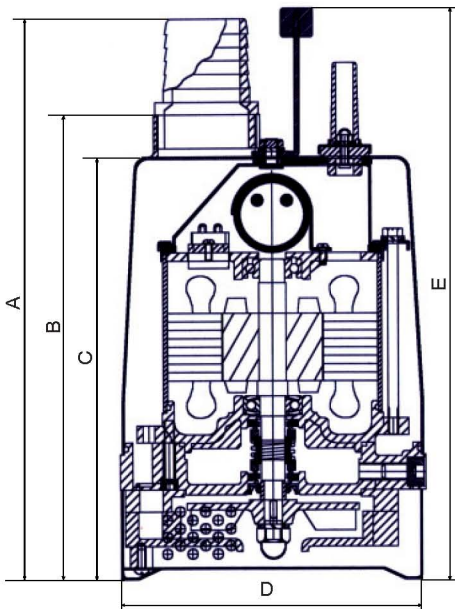
Performance Curve



Technical Specifications

Type	Outlet		Output		Voltage 1 & 3 p	Nor.Head		Nor.Capa.		Max.Head		Max.Capa		Solid Pass.		Weight	
	mm	inch	watt.	hp		m	ft	l/min	USgpm	m	ft	l/min	USgpm	mm	inch	kg	1b
FSS-250	40	1 1/2	250	1/3	110/220v	6	20	100	26	8.5	28	200	53	6	0.24	12	26
FSS-400	50	2	400	1/2	110-220v	7	23	140	37	11	36	240	63	6	0.24	12	26
FSS-750	50	2	750	1	575v	10	33	200	53	15	49	320	85	8	0.32	15	33

Dimensions



Main parts description

- . Epoxy sealed watertight cable gland and waterproof joints.
- . Stainless steel 304 outer case, motor cover, and motor casing.
- . Stainless steel 410 motor shaft
- . Non-toxic rubber latex volute liner
- . Stainless steel casting impeller
- . Stainless steel inlet plate
- . Stainless steel 304 strainer

Type	A		B		C		D		E	
	mm	Inch	mm	Inch	mm	Inch	mm	Inch	mm	Inch
FSS-250	332	13	276	10.8	250	9.8	179	7.0	338	13.3
FSS-400	332	13	276	10.8	250	9.8	179	7.0	338	13.3
FSS-750	359	14	303	11.9	277	10.9	179	7.0	359	14.1



- Simplex
- Duplex
- Triplex

SUBMITTAL DATA SHEET
 ISSUE DATE: MAY 2008
 REVISION DATE: MAY 2008

	MODELS	DISCHARGE	SOLID
<input type="checkbox"/>	FS-237	2"	0.4"
<input type="checkbox"/>	FS-337	3"	0.4"
<input type="checkbox"/>	FS-437	4"	0.4"
<input type="checkbox"/>	FS-355	3"	0.4"
<input type="checkbox"/>	FS-455	4"	0.4"

PUMP SPECIFICATIONS:

DISCHARGE : Vertical Cast Iron

IMPELLER : 2 vanes open with pump
out vanes on back side.

SHAFT SEAL : Double mechanical seals
(Tungsten on Carbon)
in oil chamber for exceptional durability.

VOLUTE : Cast Iron, ASTM A-48, Class 30.

MOTOR HOUSING : Stainless Steel 304.

SEAL PLATE : Cast Iron, ASTM A-48, Class 30.

SQUARE RING : BUNA-N.

HARDWARE : Stainless Steel.

SUITABLE FOR : 104 °F (40 °C) Liquids.

STANDARD EQUIPMENT : All models equipped with strainer and
33" (10m) of cable. Three phase size
14/4 type SOW.

MOTOR SPECIFICATIONS:

SINGLE PHASE : Air motor with overload protection in motor.

THREE PHASE : Air motor, overload protection
required in magnetic starter.

INSULATION : Class-B

SHAFT : 5/8 " (16mm) dia., 416 Stainless Steel.

LOWER BEARING : Ball, oil lubricated.

TOP BEARING : Ball, oil lubricated.

OPTIONAL EQUIPMENT:

- Additional cable
- Impeller trims
-



SPECIFICATION DATA

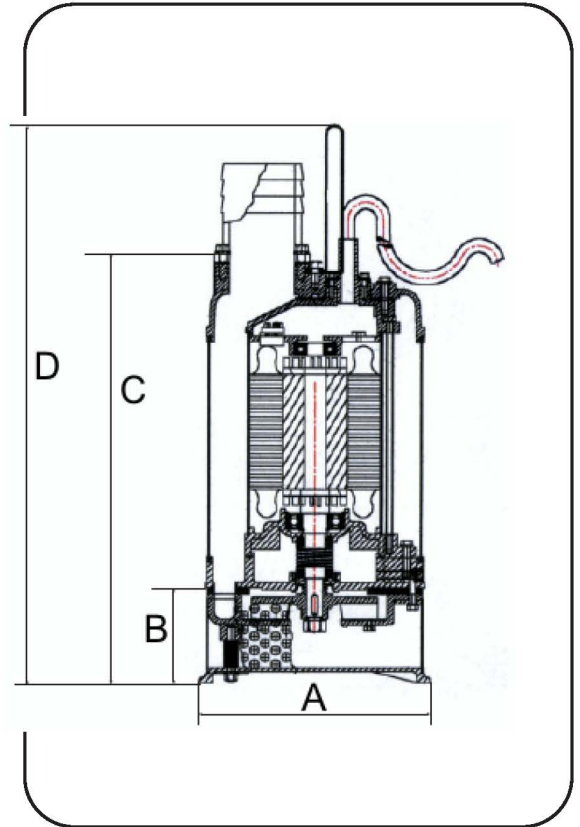
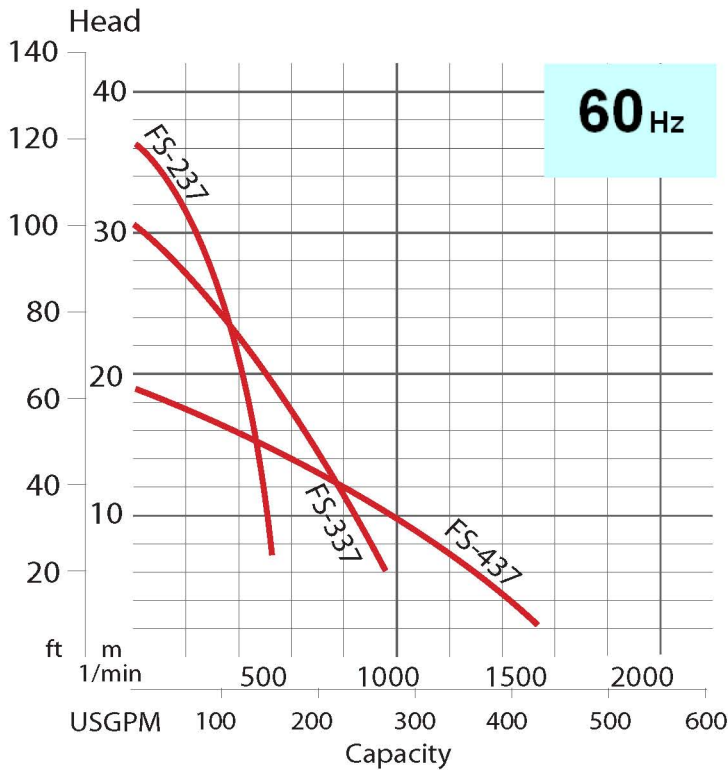
Single phase pumps available with a liquid level control for automatic operation.

- Simplex
- Duplex
- Triplex

SUBMITTAL DATA SHEET
 ISSUE DATE: MAY 2008
 REVISION DATE: MAY 2008

Tag / Identification

Specified Capacity / Capacité Spécifié e: _____



SPECIFICATIONS

MODELS	OUTLET		Elec. MOTOR			Voltage / Phase / HZ	Solid Pass		Weight Poids	
	mm	in	Hp	Amp.			mm	in.	kg.	lbs
				Start	Run					
<input type="checkbox"/> FS-237	50	2	5	74	15	220/3/60	11	0.4	58	127
<input type="checkbox"/> FS-237	50	2	5	45.9	8.7	380/3/60	11	0.4	58	127
<input type="checkbox"/> FS-237	50	2	5	37	7.5	440/3/60	11	0.4	58	127
<input type="checkbox"/> FS-237	50	2	5	30	5.7	575/3/60	11	0.4	58	127
<input type="checkbox"/> FS-337	80	3	5	45.9	8.7	220/3/60	11	0.4	58	127
<input type="checkbox"/> FS-337	80	3	5	45.9	8.7	380/3/60	11	0.4	58	127
<input type="checkbox"/> FS-337	80	3	5	37	7.5	440/3/60	11	0.4	58	127
<input type="checkbox"/> FS-337	80	3	5	30	5.7	575/3/60	11	0.4	58	127
<input type="checkbox"/> FS-437	100	4	5	60	11.50	220/3/60	11	0.4	58	127
<input type="checkbox"/> FS-437	100	4	5	45.9	8.7	380/3/60	11	0.4	58	127
<input type="checkbox"/> FS-437	100	4	5	37	7.5	440/3/60	11	0.4	58	127
<input type="checkbox"/> FS-437	100	4	5	30	5.7	575/3/60	11	0.4	58	127

Models

FS-237/337/437

- A: 11.2" (284.48 mm)
- B: 4.7" (119.38 mm)
- C: 19.6" (497.84 mm)
- D: 25.2" (640.08 mm)

Submersible Dewatering Pumps FS Series

SPECIFICATION DATA

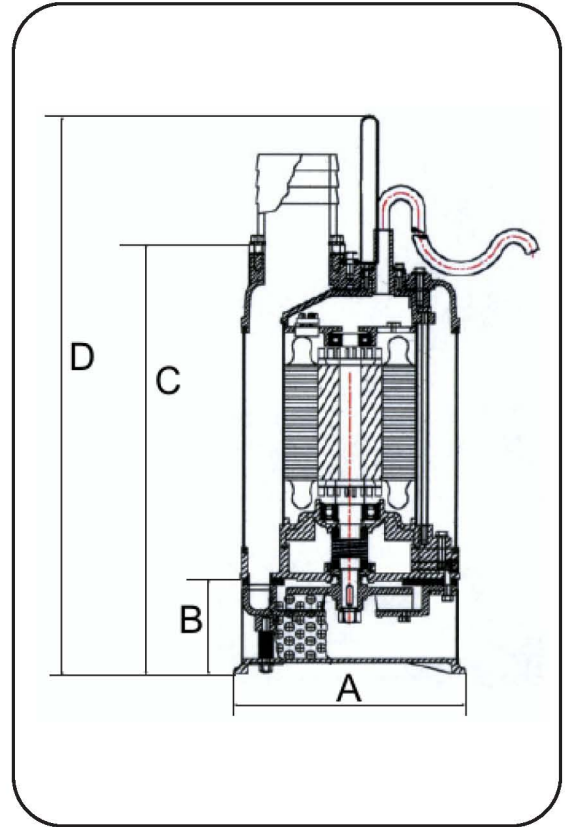
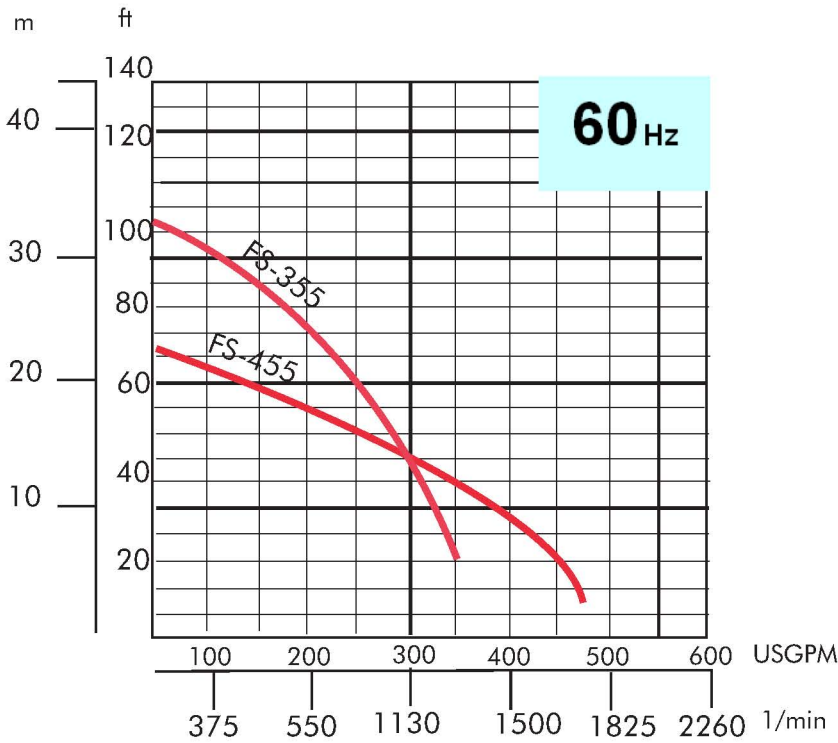
Single phase pumps available with a liquid level control for automatic operation.

- Simplex
- Duplex
- Triplex

SUBMITTAL DATA SHEET
 ISSUE DATE: MAY 2008
 REVISION DATE: MAY 2008

Tag / Identification

Specified Capacity / Capacité Spécifié e:



SPECIFICATIONS

MODELS	OUTLET		Elec. MOTOR			Voltage / Phase / HZ	Solid Pass		Weight Poids	
	mm	in	Hp	Amp.			mm	in.	kg.	lbs
				Start	Run					
<input type="checkbox"/> FS-355	80	3	5.5	105.6	22.5	220/3/60	19	3/4	50	110
<input type="checkbox"/> FS-355	80	3	5.5	56.8	15	380/3/60	19	3/4	50	110
<input type="checkbox"/> FS-355	80	3	5.5	54	10.25	440/3/60	19	3/4	50	110
<input type="checkbox"/> FS-355	80	3	5.5	50	7.50	575/3/60	19	3/4	50	110
<input type="checkbox"/> FS-455	100	4	5.5	105.6	22.5	220/3/60	19	3/4	50	110
<input type="checkbox"/> FS-455	100	4	5.5	56.8	15	380/3/60	19	3/4	50	110
<input type="checkbox"/> FS-455	100	4	5.5	54	10.25	440/3/60	19	3/4	50	110
<input type="checkbox"/> FS-455	100	4	5.5	50	7.50	575/3/60	19	3/4	50	110

Models FS-355/455

- A: 11.2" (284.48 mm)
- B: 4.7" (119.38 mm)
- C: 20.6" (423 mm)
- D: 26.4" (670 mm)



SUBMITTAL DATA SHEET
ISSUE DATE: MAY 2008
REVISION DATE: MAY 2008

- Simplex
- Duplex
- Triplex

	MODELS	DISCHARGE	SOLID
<input type="checkbox"/>	FS-475	4"	0.6"
<input type="checkbox"/>	FS-675	6"	0.6"
<input type="checkbox"/>	FS-4110	4"	0.6"
<input type="checkbox"/>	FS-6110	6"	0.6"

PUMP SPECIFICATIONS:

DISCHARGE : Vertical Cast Iron.

IMPELLER : 2 vanes open with pump out vanes on back side.

SHAFT SEAL : Double mechanical seals (Tungsten on Carbon) in oil chamber for exceptional durability.

VOLUTE : Cast Iron, ASTM A-48, Class 30.

MOTOR HOUSING : Stainless Steel 304.

SEAL PLATE : Cast Iron, ASTM A-48, Class 30.

SQUARE RING : BUNA-N.

HARDWARE : Stainless Steel.

SUITABLE FOR : 104 °F (40 °C) Liquids.

STANDARD EQUIPMENT : All models equipped with strainer and 33" (10m) of cable. Three phase size 14/4 type SOW.

MOTOR SPECIFICATIONS:

SINGLE PHASE : Air motor with overload protection in motor.

THREE PHASE : Air motor, overload protection required in magnetic starter.

INSULATION : Class-B

SHAFT : 5/8 " (16mm) dia., 416 Stainless Steel.

LOWER BEARING : Ball, oil lubricated.

TOP BEARING : Ball, oil lubricated.

OPTIONAL EQUIPMENT:

- Additional cable
- Impeller trims

Submersible Dewatering Pumps FS Series

SPECIFICATION DATA

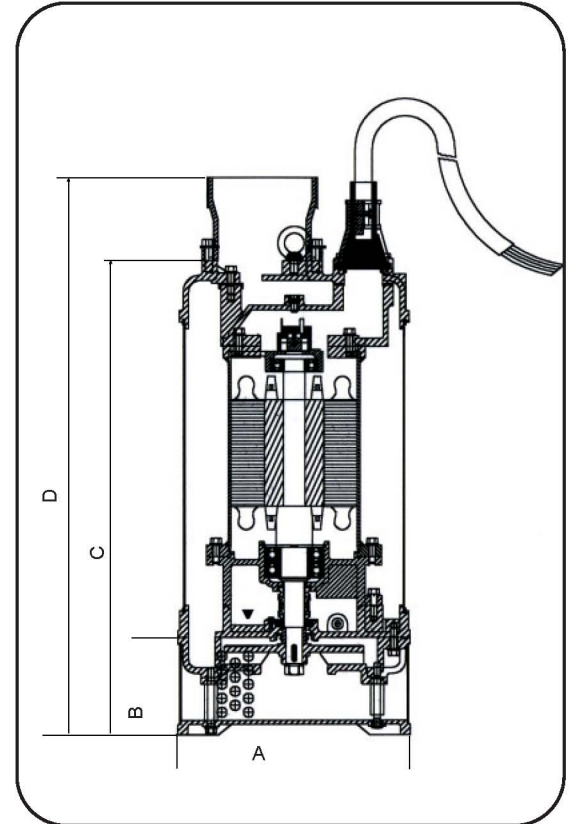
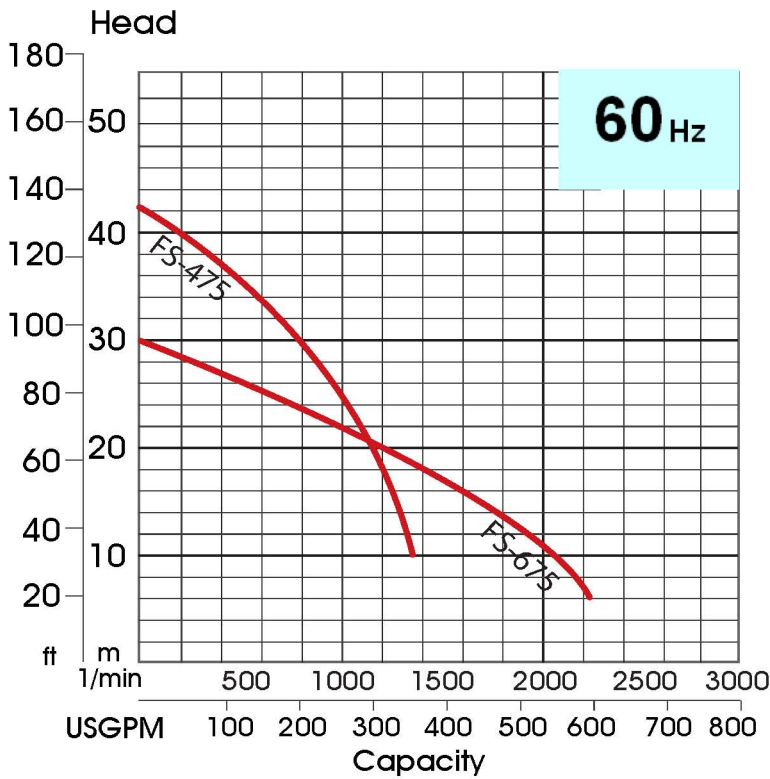
Single phase pumps available with a liquid level control for automatic operation.

- Simplex
- Duplex
- Triplex

SUBMITTAL DATA SHEET
ISSUE DATE: MAY 2008
REVISION DATE: MAY 2008

Tag / Identification

Specified Capacity / Capacité Spécifiée :



SPECIFICATIONS

MODELS	OUTLET		Elec. MOTOR			Voltage / Phase / HZ	Solid Pass		Weight Poids	
	mm	in	Hp	Amp.			mm	in.	kg.	lbs
				Start	Run					
<input type="checkbox"/> FS-475	100	4	10	113.5	30	220/3/60	15	0.6	128	282
<input type="checkbox"/> FS-475	100	4	10	65	17.4	380/3/60	15	0.6	128	282
<input type="checkbox"/> FS-475	100	4	10	74	15	440/3/60	15	0.6	128	282
<input type="checkbox"/> FS-475	100	4	10	60	11.5	575/3/60	15	0.6	128	282
<input type="checkbox"/> FS-675	150	6	10	113.5	30	220/3/60	15	0.6	128	282
<input type="checkbox"/> FS-675	150	6	10	65	17.4	380/3/60	15	0.6	128	282
<input type="checkbox"/> FS-675	100	6	10	74	15	440/3/60	15	0.6	128	282
<input type="checkbox"/> FS-675	150	6	10	74	15	575/3/60	15	0.6	128	282

Models

FS-475/675

- A: 13.8" (350 mm)
- B: 6.9" (176 mm)
- C: 27.4" (685 mm)
- D: 32.2" (843 mm)



SPECIFICATION DATA

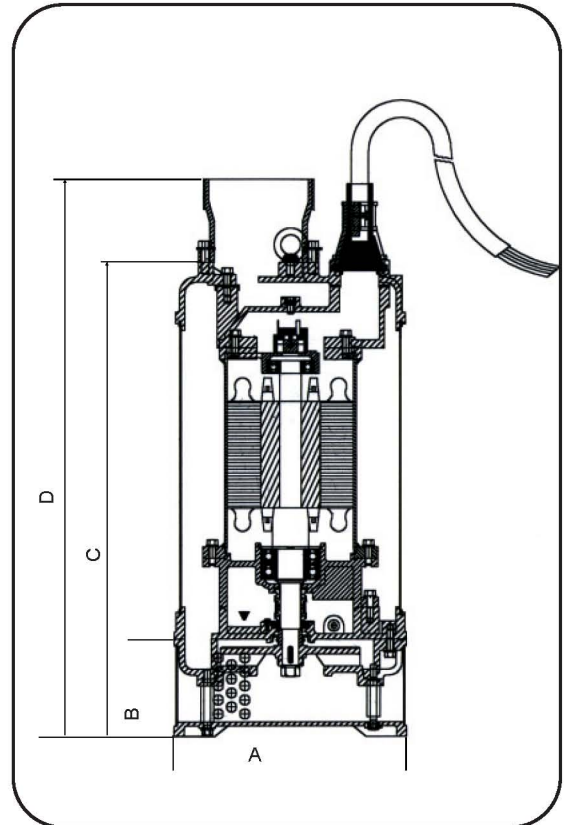
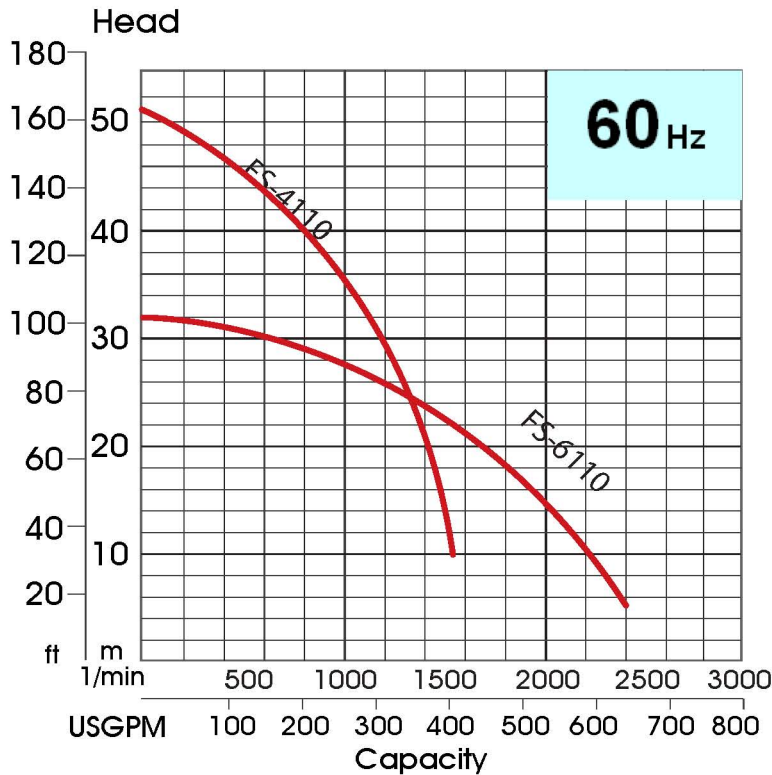
Single phase pumps available with a liquid level control for automatic operation.

- Simplex
- Duplex
- Triplex

SUBMITTAL DATA SHEET
 ISSUE DATE: MAY 2008
 REVISION DATE: MAY 2008

Tag / Identification

Specified Capacity / Capacité Spécifié e:



SPECIFICATIONS

MODELS	OUTLET		Elec. MOTOR			Voltage / Phase / HZ	Solid Pass		Weight Poids	
	mm	in	Hp	Amp.			mm	in.	kg.	lbs
				Start	Run					
<input type="checkbox"/> FS-4110	100	4	15	120	45	220/3/60	15	0.6	134	295
<input type="checkbox"/> FS-4110	100	4	15	96	26.1	380/3/60	15	0.6	134	295
<input type="checkbox"/> FS-4110	100	4	15	110	22.5	440/3/60	15	0.6	134	295
<input type="checkbox"/> FS-4110	100	4	15	120	17.2	575/3/60	15	0.6	124	295
<input type="checkbox"/> FS-6110	150	6	15	120	45	220/3/60	15	0.6	134	295
<input type="checkbox"/> FS-6110	150	6	15	96	26.1	380/3/60	15	0.6	134	295
<input type="checkbox"/> FS-6110	150	6	15	110	22.5	440/3/60	15	0.6	134	295
<input type="checkbox"/> FS-6110	150	6	15	120	17.2	575/3/60	15	0.6	134	295

Models

FS-4110/6110

- A: 13.8" (350 mm)
- B: 6.9" (176 mm)
- C: 27.4" (685 mm)
- D: 32.2" (843 mm)



- Simplex
- Duplex
- Triplex

SUBMITTAL DATA SHEET
 ISSUE DATE: MAY 2008
 REVISION DATE: MAY 2008

	MODELS	DISCHARGE
<input type="checkbox"/>	FGC-015	1 1/4"
<input type="checkbox"/>	FGC-022	2"
<input type="checkbox"/>	FGC-037	2 1/2"
<input type="checkbox"/>	FGC-055	2 1/2"

PUMP SPECIFICATIONS:

DISCHARGE : Vertical

IMPELLER : Grinder type with pump out vanes on back side.

SHAFT SEAL : Double mechanical seals (Tungsten on Carbon) in oil chamber for exceptional durability.

VOLUTE : Cast Iron, ASTM A-48, Class 30.

MOTOR HOUSING : Cast Iron, ASTM A-48, Class 30.

SEAL PLATE : Cast Iron, ASTM A-48, Class 30.

SQUARE RING : BUNA-N.

HARDWARE : Stainless Steel.

SUITABLE FOR : 104 °F (40 °C) Liquids.

STANDARD EQUIPMENT : All models equipped with legs and 33" (10m) of cable. Single phase size 14/3 type SJOW. Three phase size 14/4 type SOW.

MOTOR SPECIFICATIONS:

SINGLE PHASE : Air motor with overload protection in motor.

THREE PHASE : Air motor, overload protection required in magnetic starter.

MOTOR SPEED : 3450 RPM

INSULATION : Class-B

SHAFT : 5/8 " (16mm) dia., 416 Stainless Steel.

LOWER BEARING : Ball, oil lubricated.

TOP BEARING : Ball, oil lubricated.

OPTIONAL EQUIPMENT:

- Additional cable
- Slide away coupling
- Impeller trims



SPECIFICATION DATA

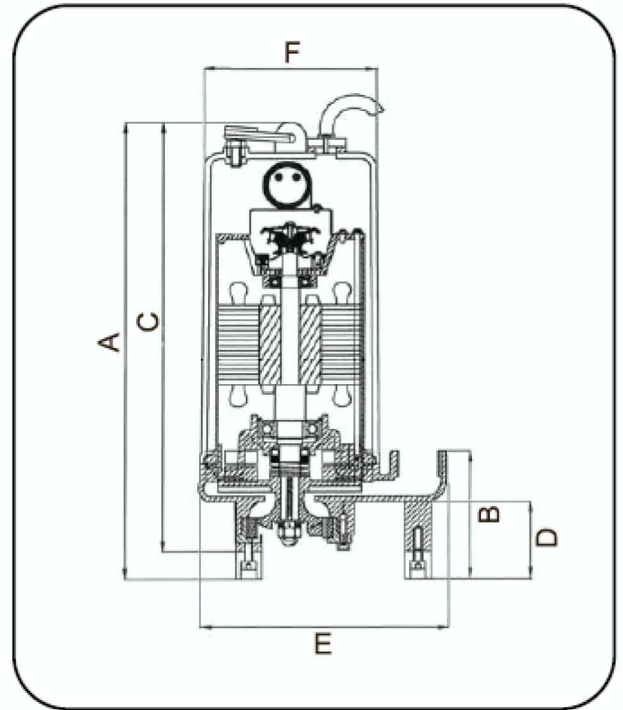
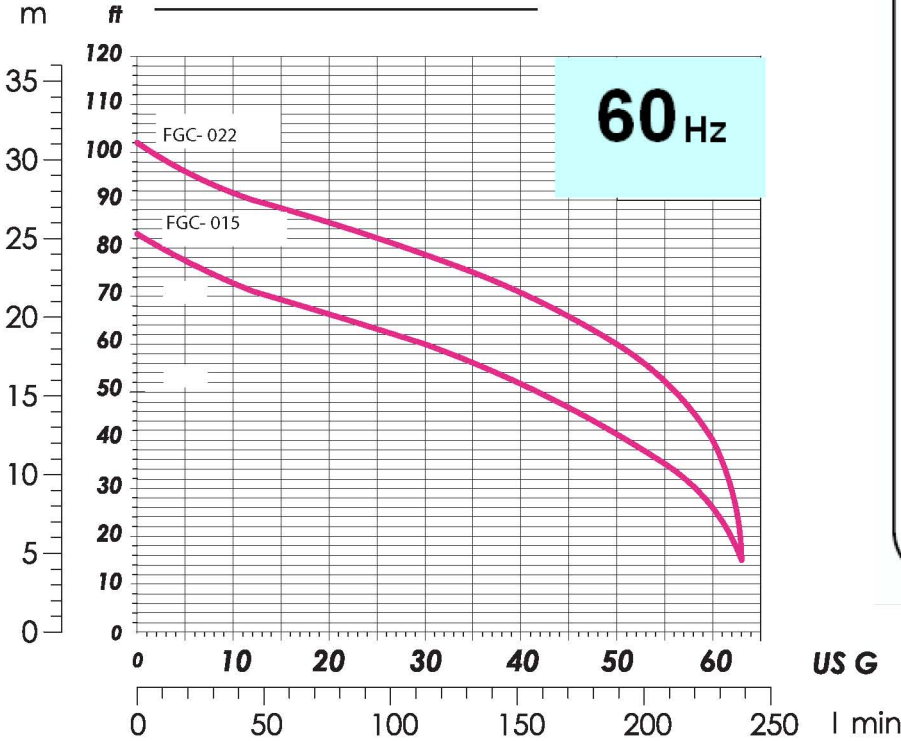
Single phase pumps available with a liquid level control for automatic operation.

- Simplex
- Duplex
- Triplex

SUBMITTAL DATA SHEET
 ISSUE DATE: MAY 2008
 REVISION DATE: MAY 2008

Tag / Identification

Specified Capacity / Capacité Spécifiée:



SPECIFICATIONS

MODELS	Elec. MOTOR			Voltage / Phase / HZ	Weight Poids	
	Hp	Amp.			kg.	lbs
		Start	Run			
<input type="checkbox"/> FGC-015	2	36	10.58	220/1/60	43	95
<input type="checkbox"/> FGC-015	2	24	6.38	208/3/60	43	95
<input type="checkbox"/> FGC-015	2	22.5	5.9	230/3/60	43	95
<input type="checkbox"/> FGC-015	2	12.1	2.87	460/3/60	43	95
<input type="checkbox"/> FGC-015	2	13	2.68	480/3/60	43	95
<input type="checkbox"/> FGC-015	2	15	2.31	575/3/60	43	95
<input type="checkbox"/> FGC-022	3	37.2	11.58	220/1/60	48	106
<input type="checkbox"/> FGC-022	3	25.2	7.35	208/3/60	48	106
<input type="checkbox"/> FGC-022	3	23.7	6.9	230/3/60	48	106
<input type="checkbox"/> FGC-022	3	13.3	3.87	460/3/60	48	106
<input type="checkbox"/> FGC-022	3	14.2	3.68	480/3/60	48	106
<input type="checkbox"/> FGC-022	3	16.2	3.30	575/3/60	48	106

Model / Modèle

FGC-015
FGC-022

- A: 19" (483 mm)
- B: 5" (127 mm)
- C: 16.9" (429 mm)
- D: 3" (28 mm)
- E: 10" (254 mm)
- F: 6.5" (165 mm)

Submersible Grinder Pumps FGC Series

SPECIFICATION DATA

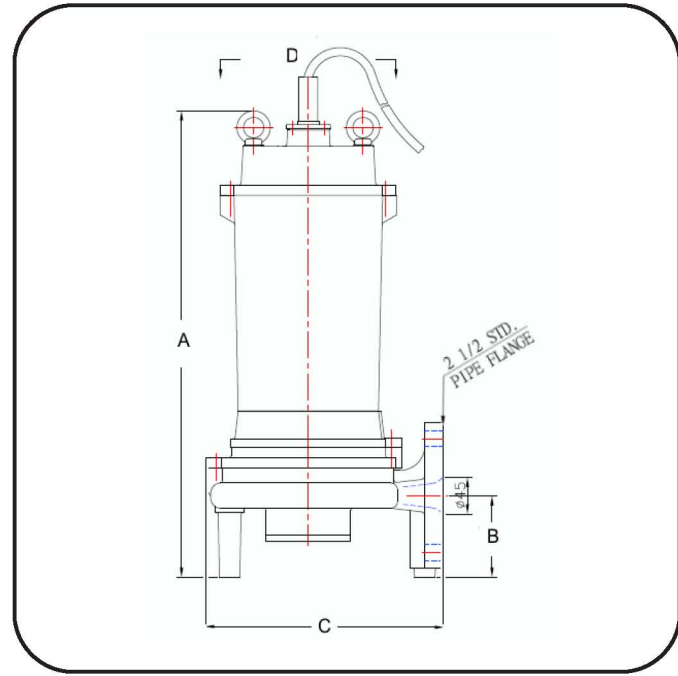
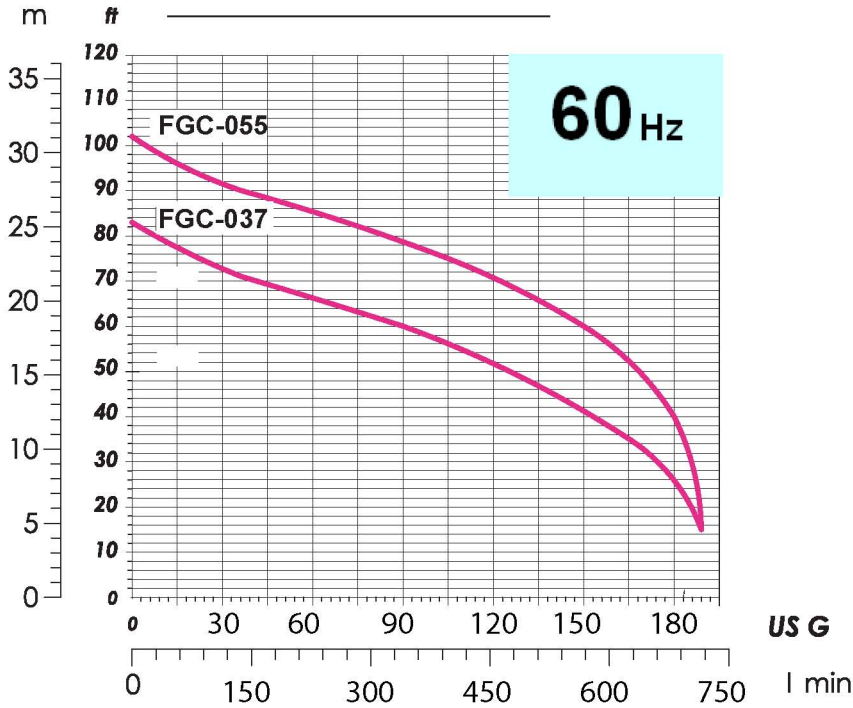
Single phase pumps available with a liquid level control for automatic operation.

- Simplex
- Duplex
- Triplex

SUBMITTAL DATA SHEET
ISSUE DATE: MAY 2008
REVISION DATE: MAY 2008

Tag / Identification

Specified Capacity / Capacité Spécifié e:



SPECIFICATIONS

MODELS	Elec. MOTOR			Voltage / Phase / HZ	Weight Poids	
	Hp	Amp.			kg.	lbs
		Start	Run			
<input type="checkbox"/> FGC-037	5			220/1/60	57	125
<input type="checkbox"/> FGC-037	5	75	16.5	208/3/60	57	125
<input type="checkbox"/> FGC-037	5	73	15	230/3/60	57	125
<input type="checkbox"/> FGC-037	5	70	7.5	460/3/60	57	125
<input type="checkbox"/> FGC-037	5	68	7.2	480/3/60	57	125
<input type="checkbox"/> FGC-037	5	50	6.00	575/3/60	57	125
<input type="checkbox"/> FGC-055	7.5			220/1/60	60	132
<input type="checkbox"/> FGC-055	7.5	125	24	208/3/60	60	132
<input type="checkbox"/> FGC-055	7.5	120	22.5	230/3/60	60	132
<input type="checkbox"/> FGC-055	7.5	58	11	460/3/60	60	132
<input type="checkbox"/> FGC-055	7.5	58	10	480/3/60	60	132
<input type="checkbox"/> FGC-055	7.5	60	8.40	575/3/60	60	132

Model

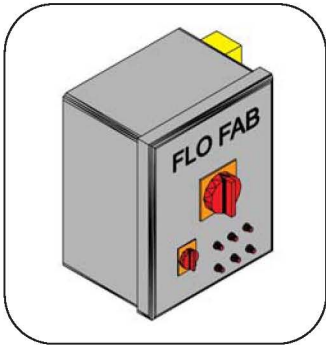
FGC-037
FGC-055

A: 22.5" (577 mm)
B: 4" (102 mm)
C: 11.25" (288 mm)
D: 11.125" (285 mm)



SUBMITTAL DATA SHEET
 ISSUE DATE: MAY 2008
 REVISION DATE: MAY 2008

Control Panel

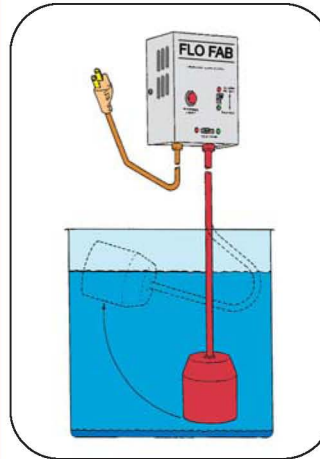


FLO FAB Standard UL or CSA - NEMA 1- enclosure. Includes main disconnect switch, internal circuit, breakers, transformer, low suction pressure switch and pilot light, hand-off auto switch, pump running light, current-relay, minimum run timer, automatic transfer to lag pump circuit, lead pump selector switch, power on light, dry contact for remote signal.

Model

- | | | | |
|----------------------------------|------------------------------|----------------------------------|----------------------------------|
| <input type="checkbox"/> Simplex | <input type="checkbox"/> SSP | <input type="checkbox"/> 115 / 1 | <input type="checkbox"/> 208 / 3 |
| <input type="checkbox"/> Duplex | <input type="checkbox"/> DSP | <input type="checkbox"/> 230 / 1 | <input type="checkbox"/> 460 / 3 |
| <input type="checkbox"/> Triplex | <input type="checkbox"/> TSP | <input type="checkbox"/> 575 / 3 | |

Tank Alert Float



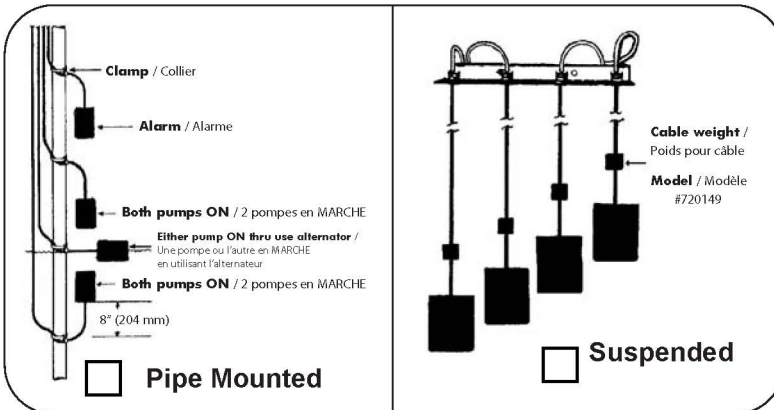
- Nema 1 Compliance in a metal alarm panel
- When used with a pump application, the Tank Alert may be connected to a circuit breaker other than the pump circuit. This allows the Tank Alert to operate even if the pump circuit should fail.

Model

- | | |
|---------------------------------|--|
| <input type="checkbox"/> 101 HW | <input type="checkbox"/> With Dry Contact |
| <input type="checkbox"/> 101 LW | <input type="checkbox"/> Without Dry Contact |

120 / 1 / 60

Mechanical Float Switch



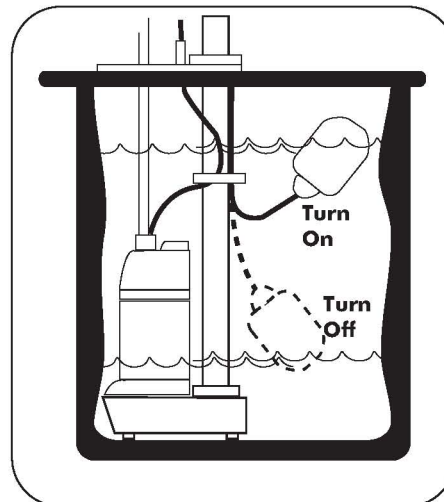
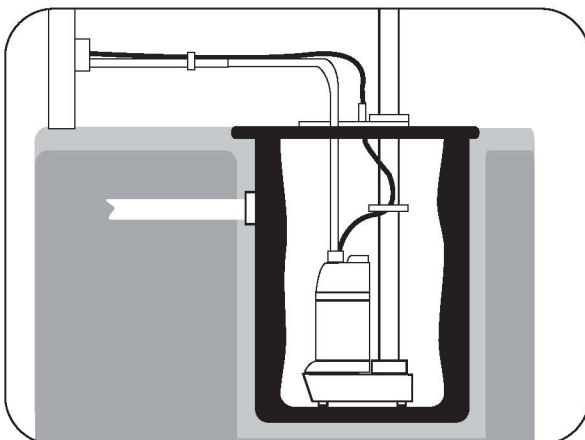
720145 Bracket

- Not Included
 Included

	Model	Contacts
<input type="checkbox"/> 15	720163	N/O
<input type="checkbox"/> 30	720165	N/O
<input type="checkbox"/> 15	720163	<input type="checkbox"/> With Plug <input type="checkbox"/> Without Plug

QTY. _____

General Arrangement for Single Pump float operation (plug in type)

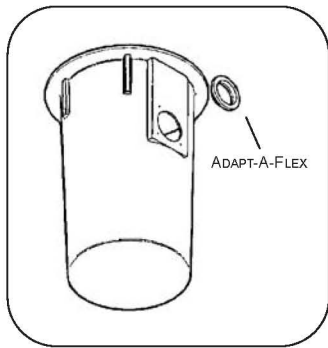


Float Model Contacts

- | | | |
|------------------------------|--------|-----|
| <input type="checkbox"/> 15" | 720163 | N/O |
| <input type="checkbox"/> 30" | 720165 | N/O |

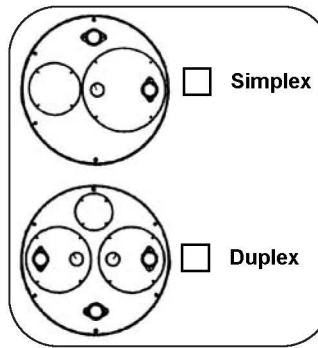
QTY. _____

Polyethylene Basin



- Polyethylene
 - Fiberglass
- Model
- 1830 - 30 gal.
 - 2436 - 70 gal.
 - 3636 - 159 gal.
 - 4848 - 376 gal.

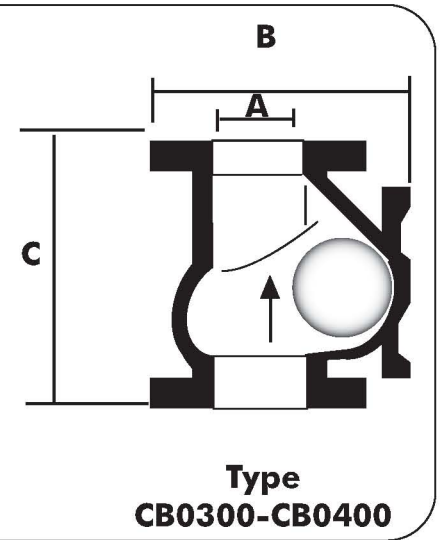
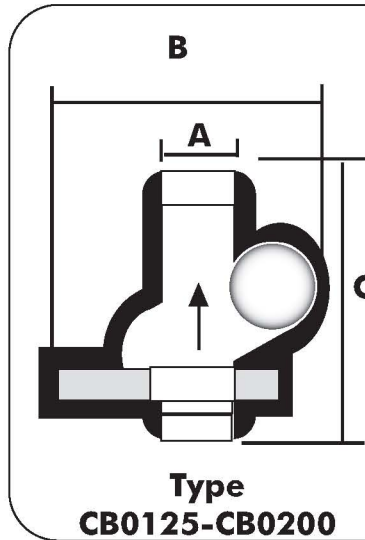
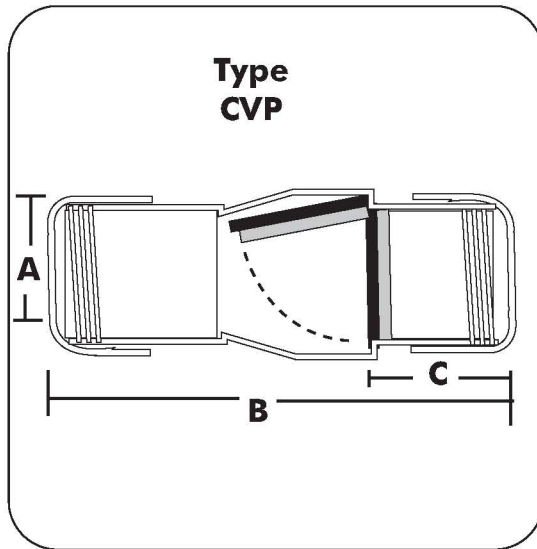
Steel Basin Covers



SUBMITTAL DATA SHEET
ISSUE DATE: MAY 2008
REVISION DATE: MAY 2008

- Model
- 18"
 - 24"
 - 36"
 - 48"

Check Valve

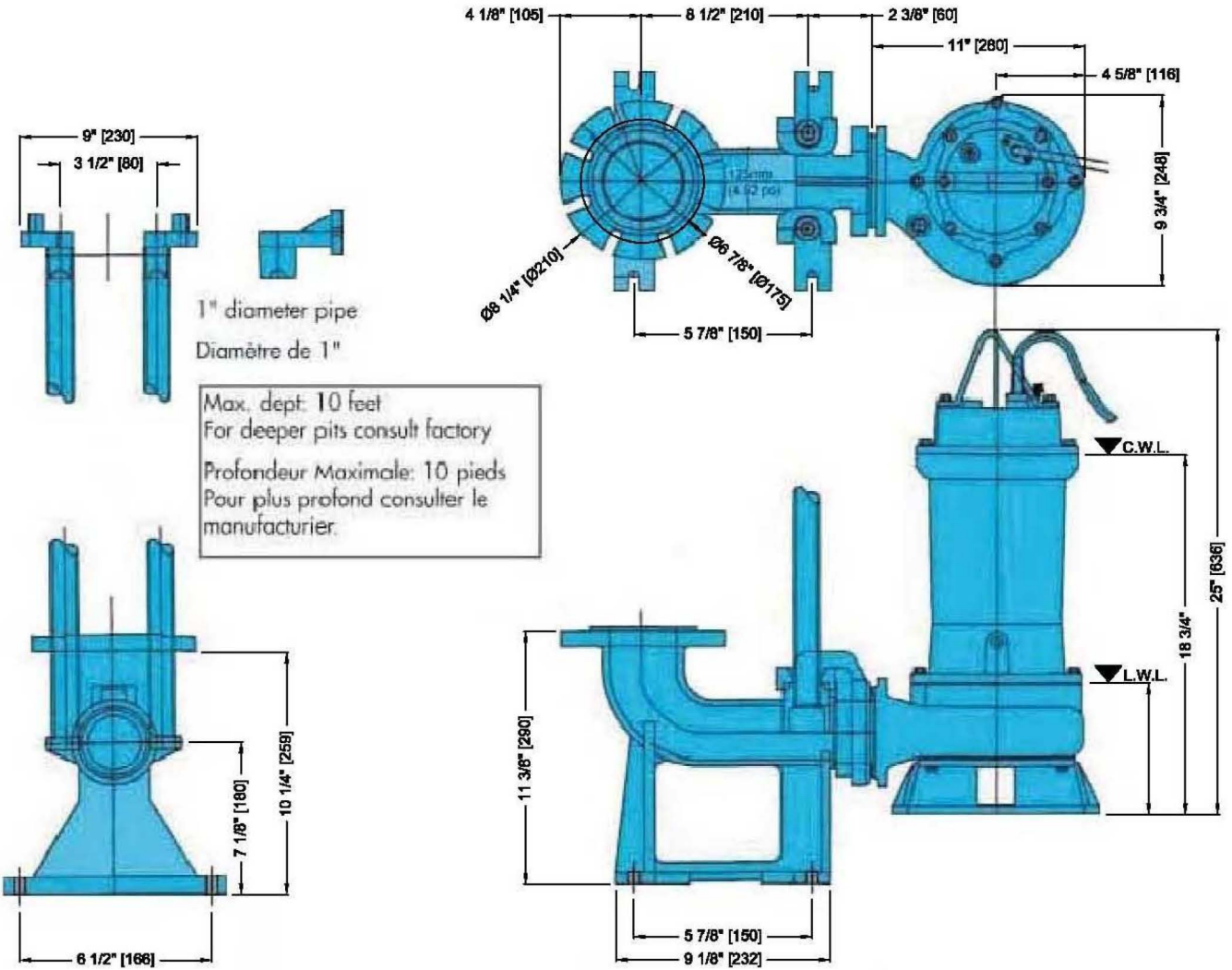


Models	A	B		C		Pressure Test lb/po/ca
		po	mm	po	mm	
CVP0125	1 1/4" NPT	5 1/4	132	1 1/8	28	
CVP0150	1 1/2" NPT	5 1/4	132	1 1/8	28	
CVP0200	2" NPT	9 3/4	245	2 3/4	70	
CVP0300	3" NPT	14	350	4	100	
CB0125	1 1/4" NPT	4 11/16	119	5 5/16	135	150
CB0150	1 1/2" NPT	4 11/16	119	5 5/16	135	150
CB0200	2" NPT	6 3/16	157	6 7/8	175	150
CB0300	3" Flanged	8 7/16	214	9 1/16	246	150
CB0400	4" Flanged	11 1/8	282	11 3/16	300	150



Slide Away Coupling : LBV 25/40/75 c/w 2"

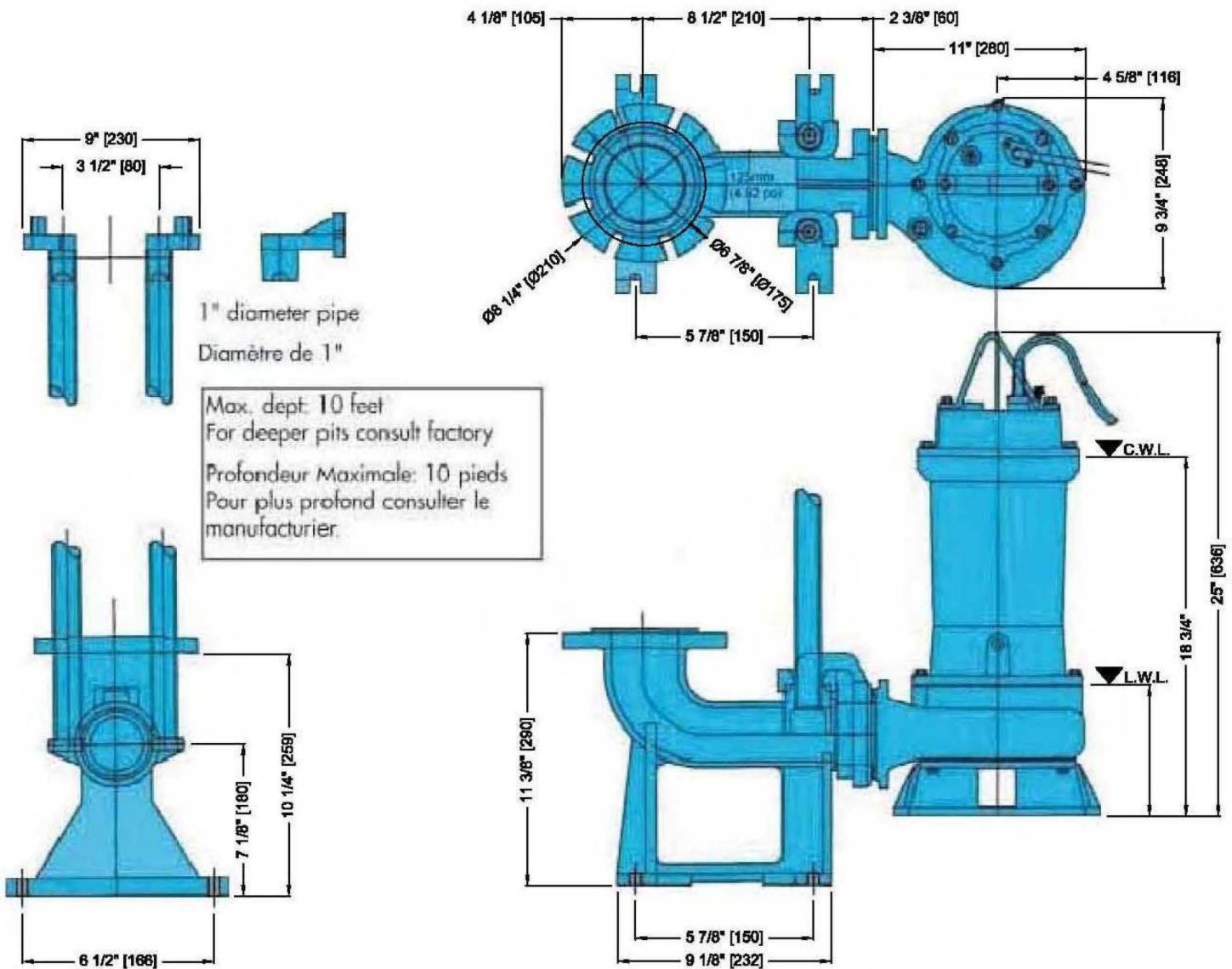
Raccord coulissant : LBV 25/40/75 c/w 2"



Slide Away Coupling : FBV 3" & 4"

SUBMITTAL DATA SHEET
 ISSUE DATE: MAY 2008
 REVISION DATE: MAY 2008

- FBV - 3" Model BAF 0300
- FBV - 4" Model BAF 0400

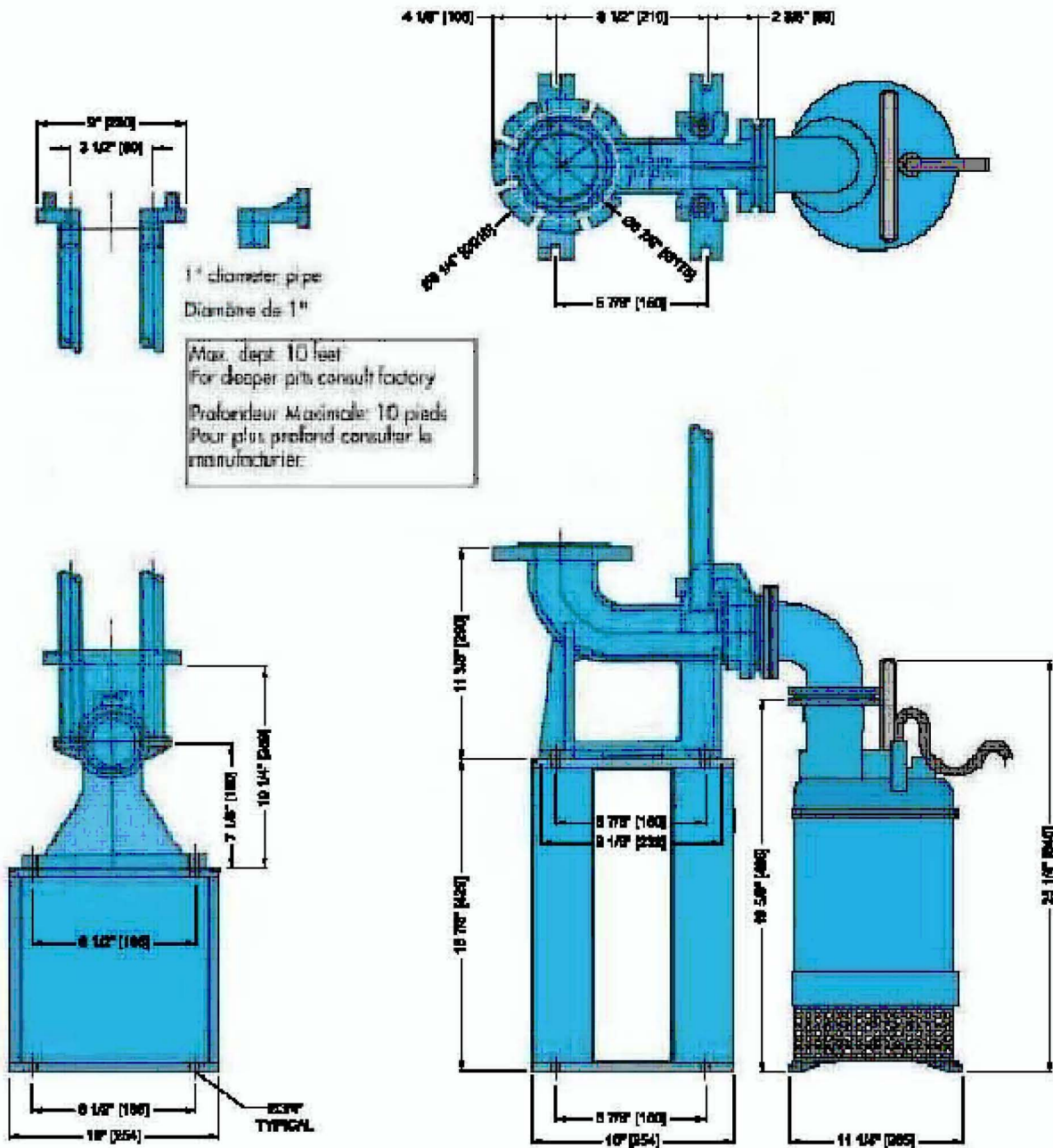




Slide Away Coupling : FS 3" & 4"

SUBMITTAL DATA SHEET
ISSUE DATE: MAY 2008
REVISION DATE: MAY 2008

- FS - 3" Model BAFFS0300
- FS - 4" Model BAFFS0400



SUBMITTAL DATA SHEET
 ISSUE DATE: MAY 2008
 REVISION DATE: MAY 2008



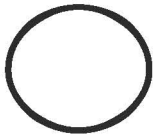
MODEL	DIA X DEPTH	CAPACITY	WEIGHT
1822FB-LC	18 X 22	24	12
1830FB-LC	18 X 30	33	15
1836FB-LC	18 X 36	40	18
1842FB-LC	18 X 42	46	21
1848FB-LC	18 X 48	53	24
1854FB-LC	18 X 54	59	27
1860FB-LC	18 X 60	66	30
1866FB-LC	18 X 66	73	33
1872FB-LC	18 X 72	79	36
1878FB-LC	18 X 78	86	39
1884FB-LC	18 X 84	93	42
1890FB-LC	18 X 90	99	45
1896FB-LC	18 X 96	106	48

Suitable for liquids up to 140°F
 Cover not included in basin price See below
 Adapt-a-flex and cast iron hubs sold separately

LONGER DEPTHS AVAILABLE
BASINS 48" AND DEEPER C/W ANTI-FLOAT
 IF ANTI-FLOAT NOT REQUIRED PLEASE CALL FOR P & D

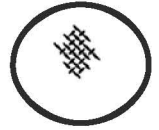
COVERS FOR 18" DIA. BASINS

BLANK
 Steel / S. foam



18B	BLANK STEEL 3/16" THICK	14
18BCP	BLANK STEEL checker plated	14
18BSF	BLANK STRUCTURAL FOAM	5

BLANK / steel
 Checker Plated



SIMPLEX
 Steel / SF (1pc)



18SSF *	SIMPLEX SF (1 pc)	7
SF114-2PC*	SIMPLEX SPLIT 2 PC FOAM	10
18S*	SIMPLEX STEEL 3/16" THICK	15

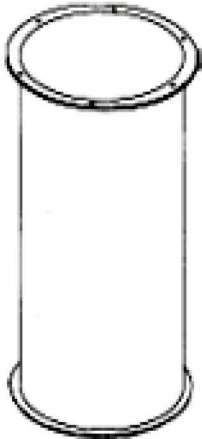
SIMPLEX 2 PC
 Structural foam



* c/w 2" discharge & 3" vent flanges



SUBMITTAL DATA SHEET
 ISSUE DATE: MAY 2008
 REVISION DATE: MAY 2008



MODEL	DIA X DEPTH	CAPACITY	WEIGHT
2424FB-LC	24 X 24	47	30
2430FB-LC	24 X 30	59	35
2436FB-LC	24 X 36	70	40
2442FB-LC	24 X 42	82	45
2448FB-LC	24 X 48	94	50
2454FB-LC	24 X 54	106	54
2460FB-LC	24 X 60	117	59
2466FB-LC	24 X 66	129	64
2472FB-LC	24 X 72	141	69
2478FB-LC	24 X 78	153	92
2484FB-LC	24 X 84	164	96
2490FB-LC	24 X 90	176	100
2496FB-LC	24 X 96	188	105

Suitable for liquids up to 140°F
 Cover not included in basin price See below
 Adapt-a-flex and cast iron hubs sold separately

LONGER DEPTHS AVAILABLE
BASINS 48" AND DEEPER C/W ANTI-FLOAT
 IF ANTI-FLOAT NOT REQUIRED PLEASE CALL FOR P & D

COVERS FOR 24" DIA. BASINS

24B	BLANK STEEL 3/16" THICK	48
24BCP	BLANK STEEL checker plated	48
24BF	BLANK FIBERGLASS	18
SF24B-BL	BLANK STRUCTURAL FOAM	20

SF24S-BL*	SIMPLEX STRUCTURAL FOAM	22
LB-10-S2401-1	SIMPLEX STEEL 10 gauge	
24SI	SIMPLEX STEEL 3/16" THICK	50
SF24D-BL*	DUPLEX STRUCTURAL FOAM	24

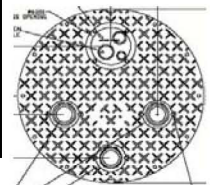
JC24H	3/16" STEEL HINGED DOOR COVER	
-------	-------------------------------	--

*c/w 2" discharge & 3" vent flanges

BLANK / steel
 Checker Plated

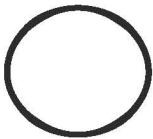


DUPLEX
 Structural foam



2 or 3" disch or vent

BLANK
 Steel / F/ S Foam



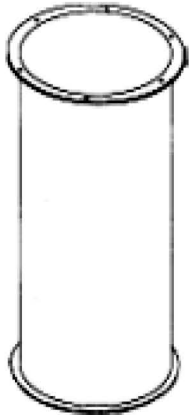
SLIMPLEX SF



SIMPLEX / steel



SUBMITTAL DATA SHEET
 ISSUE DATE: MAY 2008
 REVISION DATE: MAY 2008



MODEL	DIA X DEPTH	CAPACITY	WEIGHT
3030FB-LC	30 X 30	92	46
3036FB-LC	30 X 36	110	52
3042FB-LC	30 X 42	129	58
3048FB-LC	30 X 48	147	64
3054FB-LC	30 X 54	165	70
3060FB-LC	30 X 60	184	76
3066FB-LC	30 X 66	202	112
3072FB-LC	30 X 72	220	118
3078FB-LC	30 X 78	239	125
3084FB-LC	30 X 84	257	133
3090FB-LC	30 X 90	275	141
3096FB-LC	30 X 96	294	148

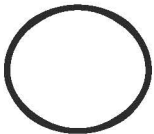
Suitable for liquids up to 140°F
 Cover not included in basin price See below
Adapt-a-flex and cast iron hubs sold separately

LONGER DEPTHS AVAILABLE BASINS 48" AND DEEPER C/W ANTI-FLOAT

IF ANTI-FLOAT NOT REQUIRED PLEASE CALL FOR P & D

COVERS FOR 30" DIA. BASINS

BLANK
 Steel / Fiberglass



SIMPLEX W/ INSP
 Steel only



30B	BLANK STEEL 3/16" THICK	65
30BCP	BLANK STEEL checker plated	65
30BF	BLANK FIBERGLASS	20

BLANK / steel
 Checker Plated



LB-10S3001	SIMPLEX STEEL 10 gauge	
30SI*	SIMPLEX STEEL 3/16" THICK	69

DUPLEX W/ INSP
 Steel / Fiberglass

30DIF*	DUPLEX FIBERGLASS	30
LB-10S3002	DUPLEX STEEL 10 gauge	
30DI*	DUPLEX STEEL 3/16" THICK	75



JC30H	1/4" STEEL HINGED DOOR COVER	
-------	------------------------------	--

* c/w 2" discharge & 3" vent flanges



SUBMITTAL DATA SHEET
 ISSUE DATE: MAY 2008
 REVISION DATE: MAY 2008



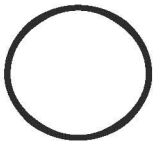
MODEL	DIA X DEPTH	CAPACITY	WEIGHT
3636FB-LC	36 X 36	159	65
3642FB-LC	36 X 42	185	71
3648FB-LC	36 X 48	211	78
3654FB-LC	36 X 54	238	86
3660FB-LC	36 X 60	264	93
3666FB-LC	36 X 66	291	159
3672FB-LC	36 X 72	317	168
3678FB-LC	36 X 78	344	177
3684FB-LC	36 X 84	370	186
3690FB-LC	36 X 90	397	196
3696FB-LC	36 X 96	423	205

Suitable for liquids up to 140°F
 Cover not included in basin price See below
Adapt-a-flex and cast iron hubs sold separately

LONGER DEPTHS AVAILABLE
BASINS 48" AND DEEPER C/W ANTI-FLOAT
 IF ANTI-FLOAT NOT REQUIRED PLEASE CALL FOR P & D

COVERS FOR 36" DIA. BASINS

BLANK
 Steel / Fiberglass



Simplex Steel



36B	BLANK STEEL 3/16" THICK	90
36BCP	BLANK STEEL <i>checker plated</i>	90
36BF	BLANK FIBERGLASS	30

BLANK / steel
 Checker Plated



Duplex Steel



LB-10S3601	SIMPLEX STEEL 10 gauge	
36SI*	SIMPLEX STEEL 3/16" THICK	95
LB-10S3602	DUPLEX STEEL 10 gauge	
36DI*	DUPLEX STEEL 3/16" THICK	110
JC36H	1/4" STEEL HINGED DOOR COVER	

* c/w 2" discharge & 3" vent flanges

SUBMITTAL DATA SHEET
 ISSUE DATE: MAY 2008
 REVISION DATE: MAY 2008



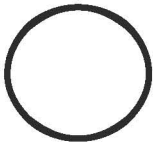
MODEL	DIA X DEPTH	CAPACITY	WEIGHT
4230FB-LC	42 X 30	180	81
4236FB-LC	42 X 36	216	94
4242FB-LC	42 X 42	252	105
4248FB-LC	42 X 48	288	116
4254FB-LC	42 X 54	324	128
4260FB-LC	42 X 60	360	139
4266FB-LC	42 X 66	396	183
4272FB-LC	42 X 72	432	194
4278FB-LC	42 X 78	468	208
4284FB-LC	42 X 84	504	221
4290FB-LC	42 X 90	540	235
4296FB-LC	42 X 96	576	249

Suitable for liquids up to 140°F
 Cover not included in basin price See below
Adapt-a-flex and cast iron hubs sold separately

**LONGER DEPTHS AVAILABLE
 BASINS 48" AND DEEPER C/W ANTI-FLOAT**
 IF ANTI-FLOAT NOT REQUIRED PLEASE CALL FOR P & D

COVERS FOR 42" DIA. BASINS

BLANK
 Steel / Fiberglass



Simplex Steel



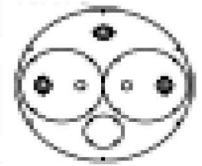
42B	BLANK STEEL 1/4" THICK	128
42BCP	BLANK STEEL checker plated	128
42BF	BLANK FIBERGLASS	40
42SI*	SIMPLEX STEEL 1/4" THICK	135
42DI*	DUPLEX STEEL 1/4" THICK	140
LB-S42HDC	1/4" STEEL HINGED DOOR COVER	

* c/w 2" discharge & 3" vent flanges

BLANK / steel
 Checker Plated

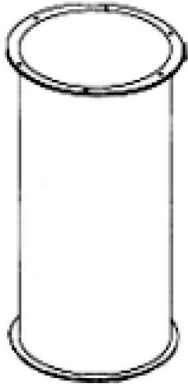


Duplex Steel





SUBMITTAL DATA SHEET
 ISSUE DATE: MAY 2008
 REVISION DATE: MAY 2008



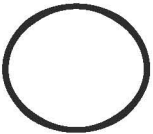
MODEL	DIA X DEPTH	CAPACITY	WEIGHT
4830FB-LC	48 X 30	235	97
4836FB-LC	48 X 36	282	110
4842FB-LC	48 X 42	329	123
4848FB-LC	48 X 48	376	136
4854FB-LC	48 X 54	423	148
4860FB-LC	48 X 60	470	161
4866FB-LC	48 X 66	517	244
4872FB-LC	48 X 72	564	260
4878FB-LC	48 X 78	611	280
4884FB-LC	48 X 84	658	299
4890FB-LC	48 X 90	705	318
4896FB-LC	48 X 96	752	338

Suitable for liquids up to 140°F
 Cover not included in basin price See below
Adapt-a-flex and cast iron hubs sold separately

LONGER DEPTHS AVAILABLE
BASINS 48" AND DEEPER C/W ANTI-FLOAT
 IF ANTI-FLOAT NOT REQUIRED PLEASE CALL FOR P & D

COVERS FOR 48" DIA. BASINS

BLANK
 Steel / Fiberglass

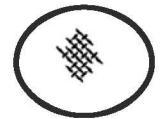


Simplex Steel



48B	BLANK STEEL 1/4" THICK	165
48BCP	BLANK STEEL <i>checker plated</i>	165
48BF	BLANK FIBERGLASS	65

BLANK / steel
 Checker Plated



48SI*	SIMPLEX STEEL 1/4" THICK	170
48DI*	DUPLEX STEEL 1/4" THICK	180

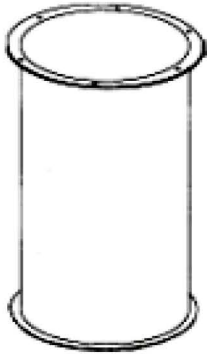
Duplex Steel



JC48H	1/4" STEEL HINGED DOOR COVER	
-------	------------------------------	--

* c/w 2" discharge & 3" vent flanges

SUBMITTAL DATA SHEET
 ISSUE DATE: MAY 2008
 REVISION DATE: MAY 2008



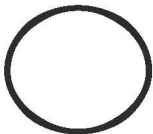
MODEL	DIA x DEPTH	CAPACITY	WEIGHT
6036FB-LC	60 X 36	440	309
6042FB-LC	60 X 42	514	334
6048FB-LC	60 X 48	587	358
6054FB-LC	60 X 54	661	382
6060FB-LC	60 X 60	734	406
6066FB-LC	60 X 66	808	430
6072FB-LC	60 X 72	881	454
6078FB-LC	60 X 78	955	483
6084FB-LC	60 X 84	1028	512
6090FB-LC	60 X 90	1102	540
6096FB-LC	60 X 96	1175	569

Suitable for liquids up to 140°F
 Cover not included in basin price See below
Adapt-a-flex and cast iron hubs sold separately

LONGER DEPTHS AVAILABLE
BASINS 48" AND DEEPER C/W ANTI-FLOAT
 IF ANTI-FLOAT NOT REQUIRED PLEASE CALL FOR P & D

COVERS FOR 60" DIA. BASINS

BLANK
Steel / Fiberglass



Simplex Steel



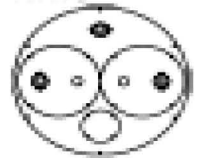
<input type="checkbox"/> 60B	BLANK STEEL 1/4" THICK	365
<input type="checkbox"/> 60BCP	BLANK STEEL <i>checker plated</i>	365
<input type="checkbox"/> 60BF	BLANK FIBERGLASS	75

BLANK / steel
Checker Plated



<input type="checkbox"/> 60SI*	SIMPLEX STEEL 1/4" THICK	380
<input type="checkbox"/> 60DI*	DUPLEX STEEL 1/4" THICK	395

Duplex Steel

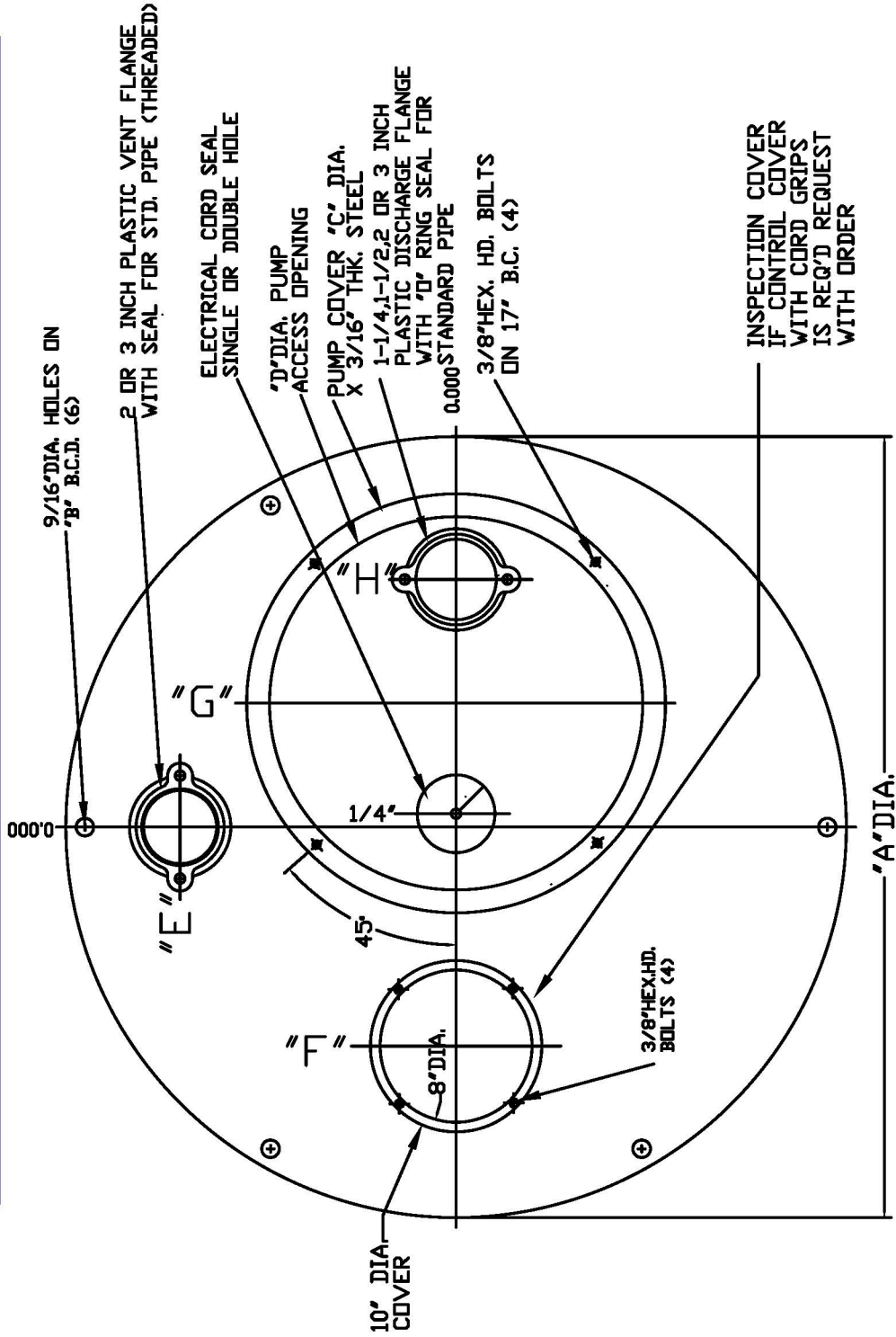


<input type="checkbox"/> LB-S60HDC	3/8" STEEL HINGED DOOR COVER	
------------------------------------	------------------------------	--

* c/w 2" discharge & 3" vent flanges



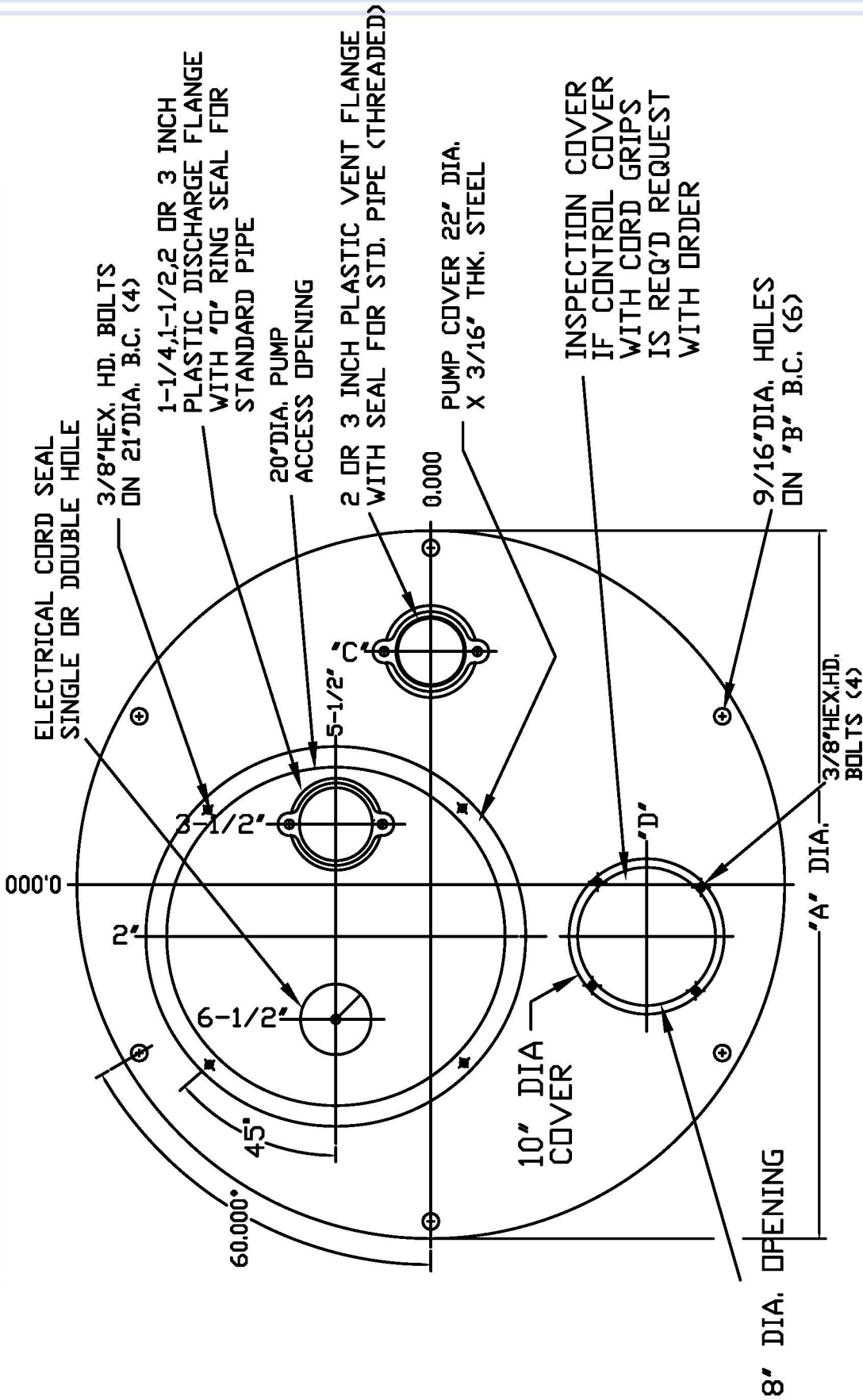
Simplex Metal Covers



Add to the part number IB - Blank Inspection Cover
CC - Control Cover

BASIN DIAMETER	"A" DIA.	THICKNESS	"B" B.C.D.	DIM "C"	DIM "D"	DIM "E"	DIM "F"	DIM "G"	DIM "H"
24"	28.00"	3/16"	26 1/2"	16"	14"	10"	7 3/4"	5 1/2"	8"
30"	34.00"	3/16"	32 1/2"	18"	16"	12 1/8"	9 1/2"	5 1/4"	7 3/4"

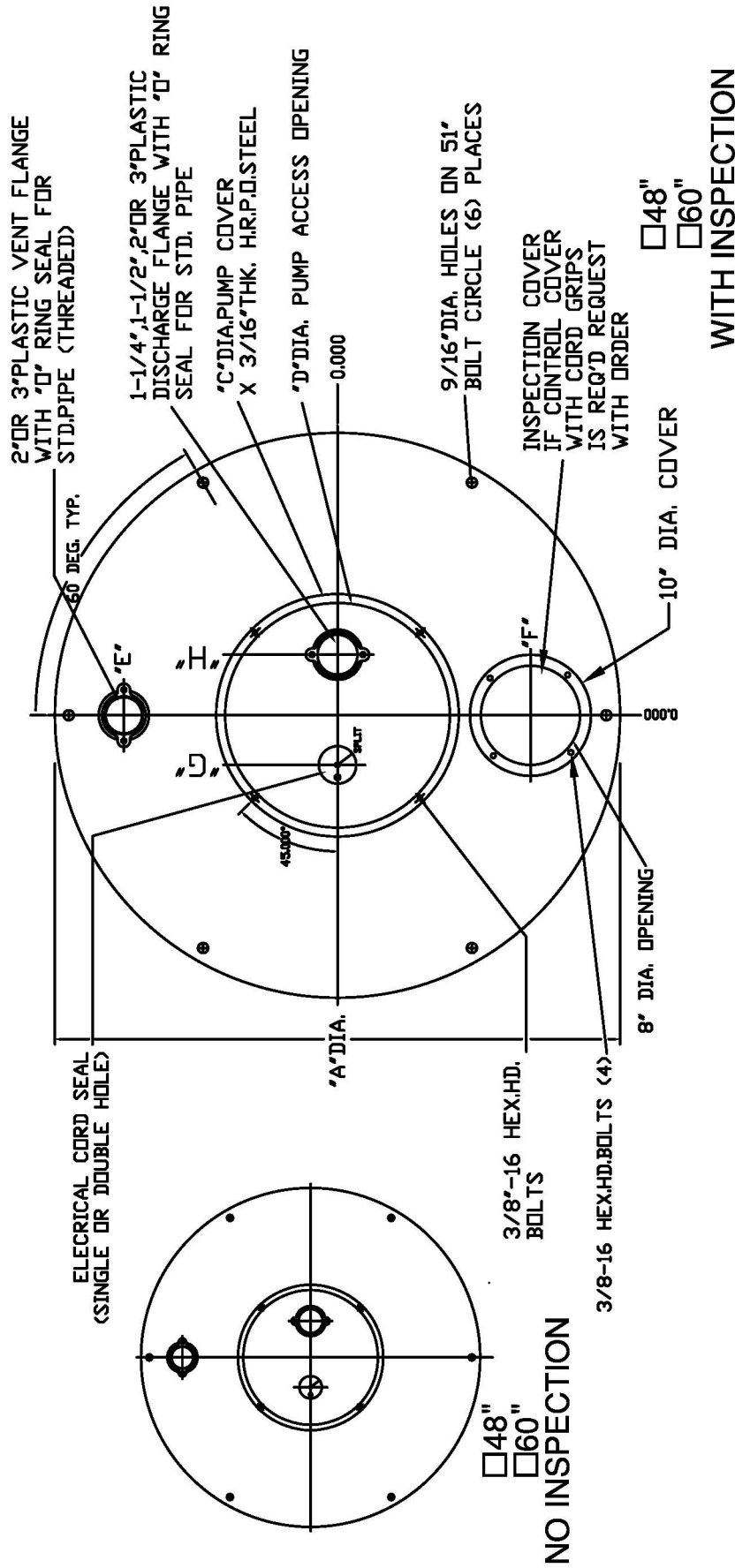
Simplex Metal Covers



BASIN DIAMETER	"A" DIA.	THICKNESS	"B" B.C.D.	DIM "C"	DIM "D"
36"	40.00"	3/16"	38.50"	14.50"	11"
42"	46.00"	3/16"	44.50"	17.50"	13.50"



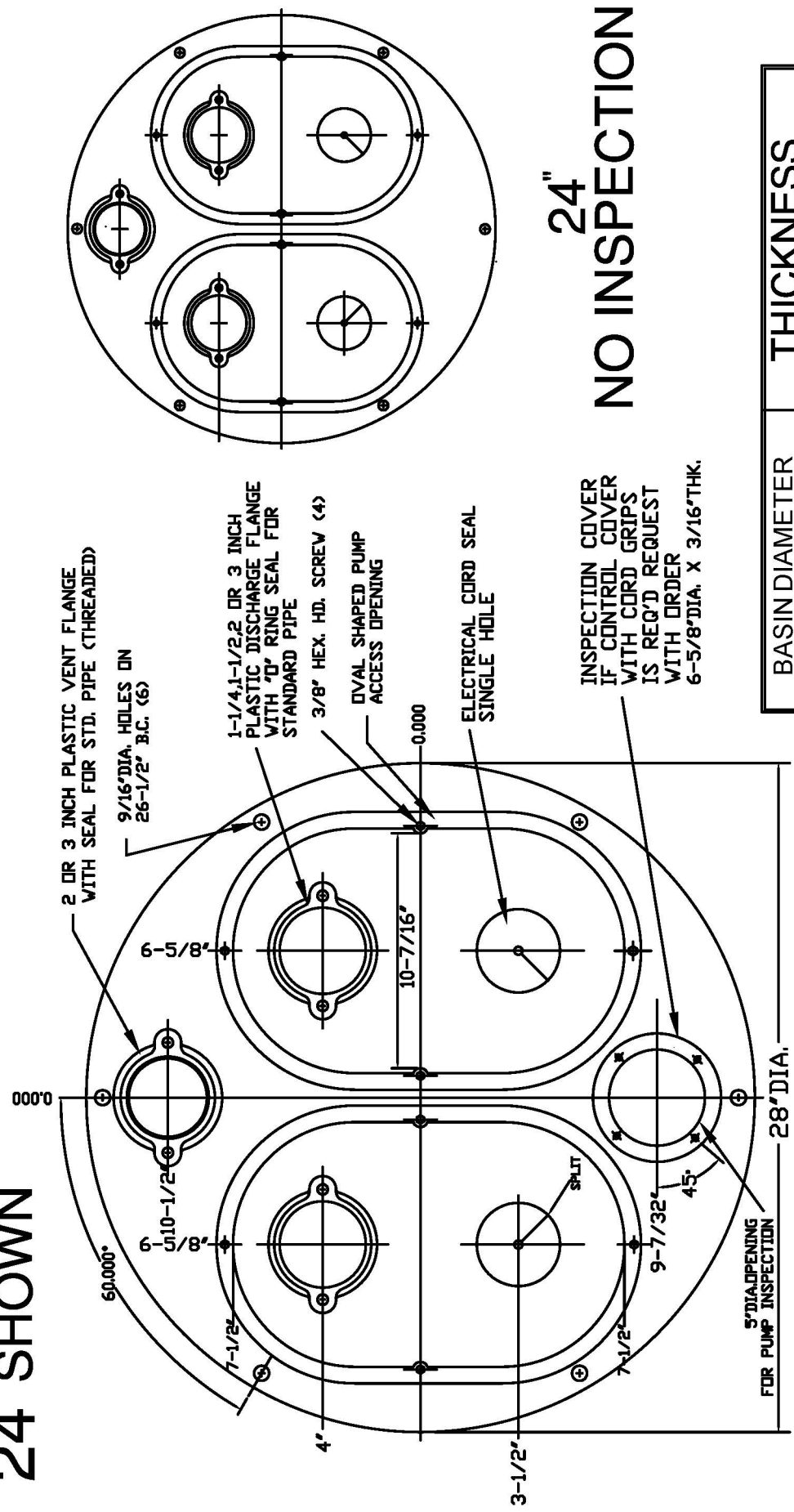
Simplex Metal Covers



BASIN DIAMETER	"A" DIA.	THICKNESS	"B" B.C.D.	DIM "C"	DIM "D"	DIM "E"	DIM "F"	DIM "G"	DIM "H"
<input type="checkbox"/> 48"	54"	3/16"	51"	22"	20"	20"	N/A	4 1/2"	5 1/2"
<input type="checkbox"/> 48"	54"	3/16"	51"	22"	20"	20"	17 1/2"	4 1/2"	5 1/2"
<input type="checkbox"/> 60"	66"	3/16"	63"	28"	26"	25 1/2"	N/A	5"	8"
<input type="checkbox"/> 60"	66"	3/16"	63"	28"	26"	25 1/2"	20"	5"	8"

24" Duplex Metal Covers

24" SHOWN



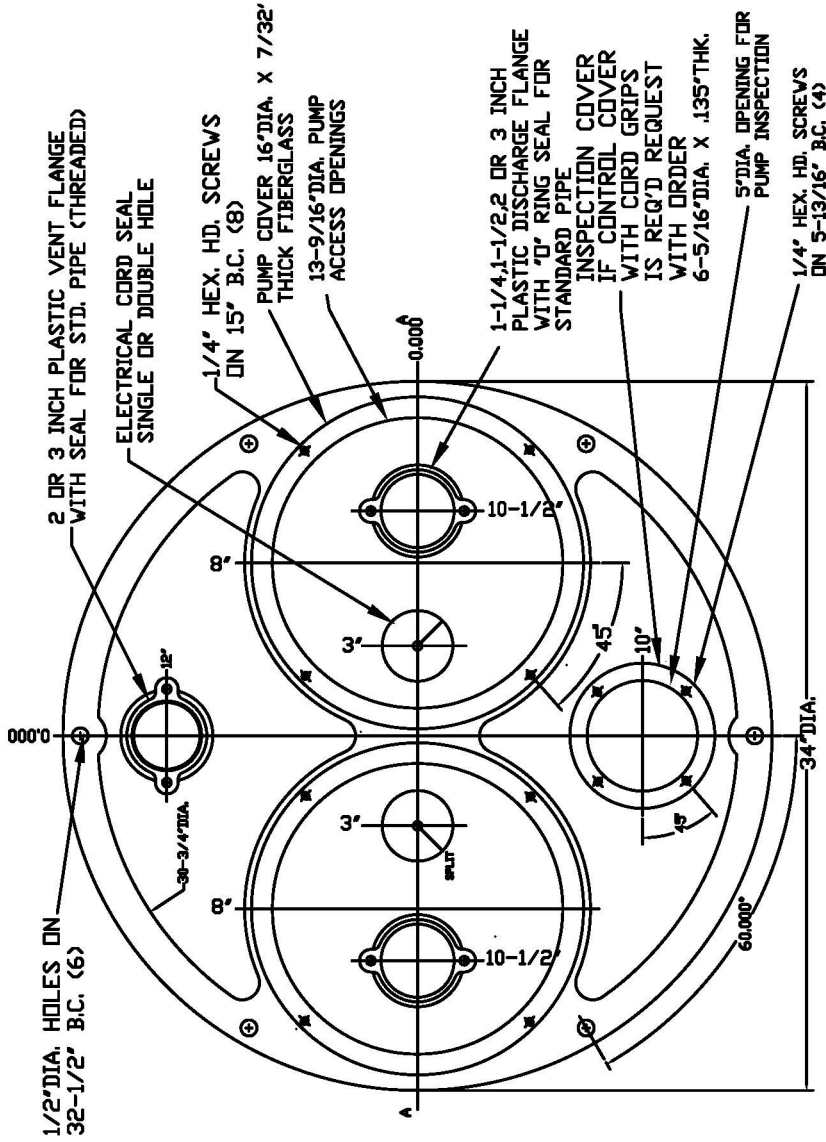
24" NO INSPECTION

BASIN DIAMETER	THICKNESS
24"	3/16"

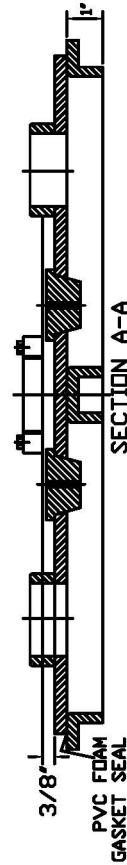
INSPECTION COVER IF CONTROL COVER WITH CORD GRIPS IS REQ'D REQUEST WITH ORDER 6-5/8" DIA. X 3/16" THK.



30" Fiberglass Duplex Covers



Add to the part number
 IB - Blank Inspection Cover
 OC - Control Cover



30"

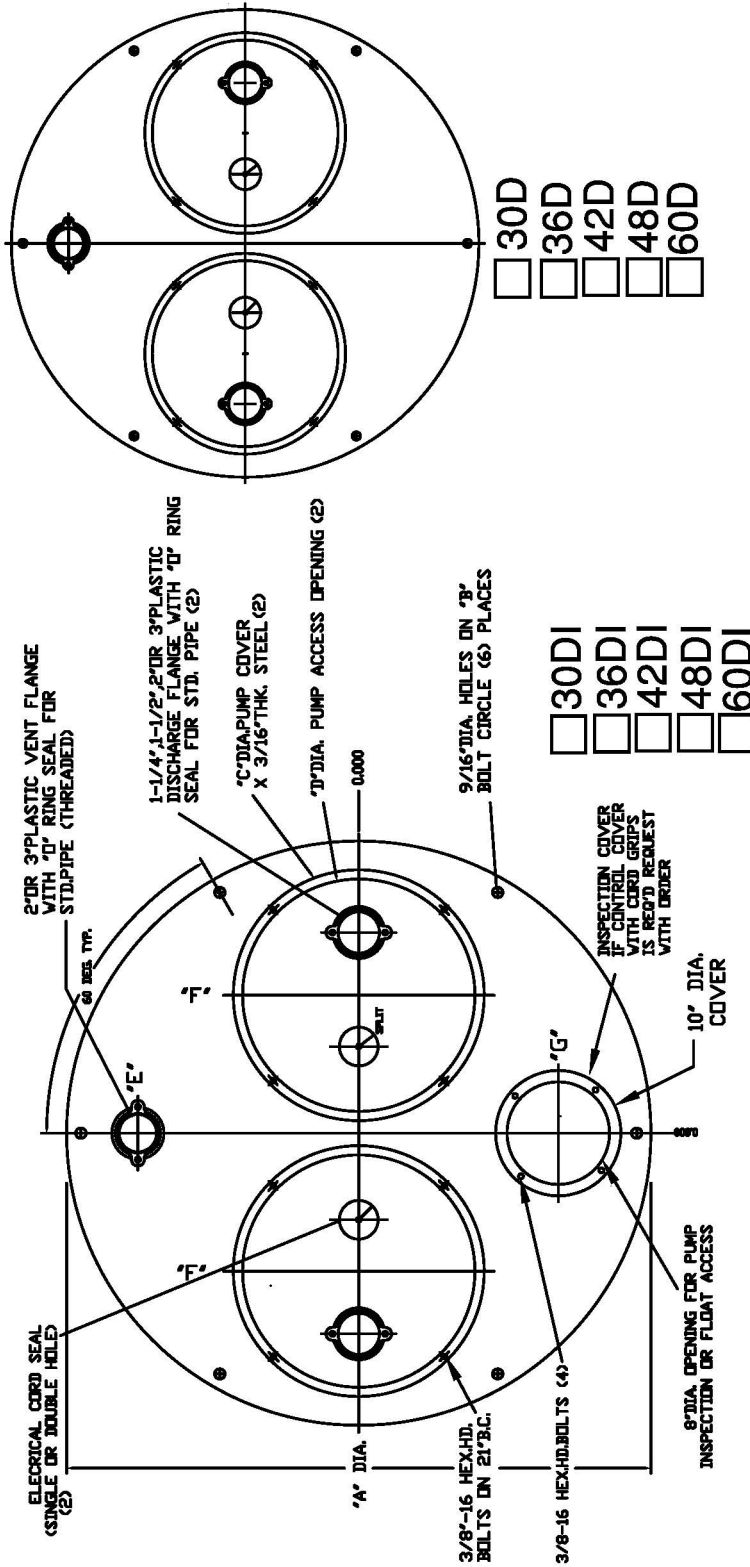
NO INSPECTION COVER

30"

HAS INSPECTION COVER

<input type="checkbox"/> 30"	BASIN DIAMETER	THICKNESS
<input type="checkbox"/> 30"	30"	3/16"

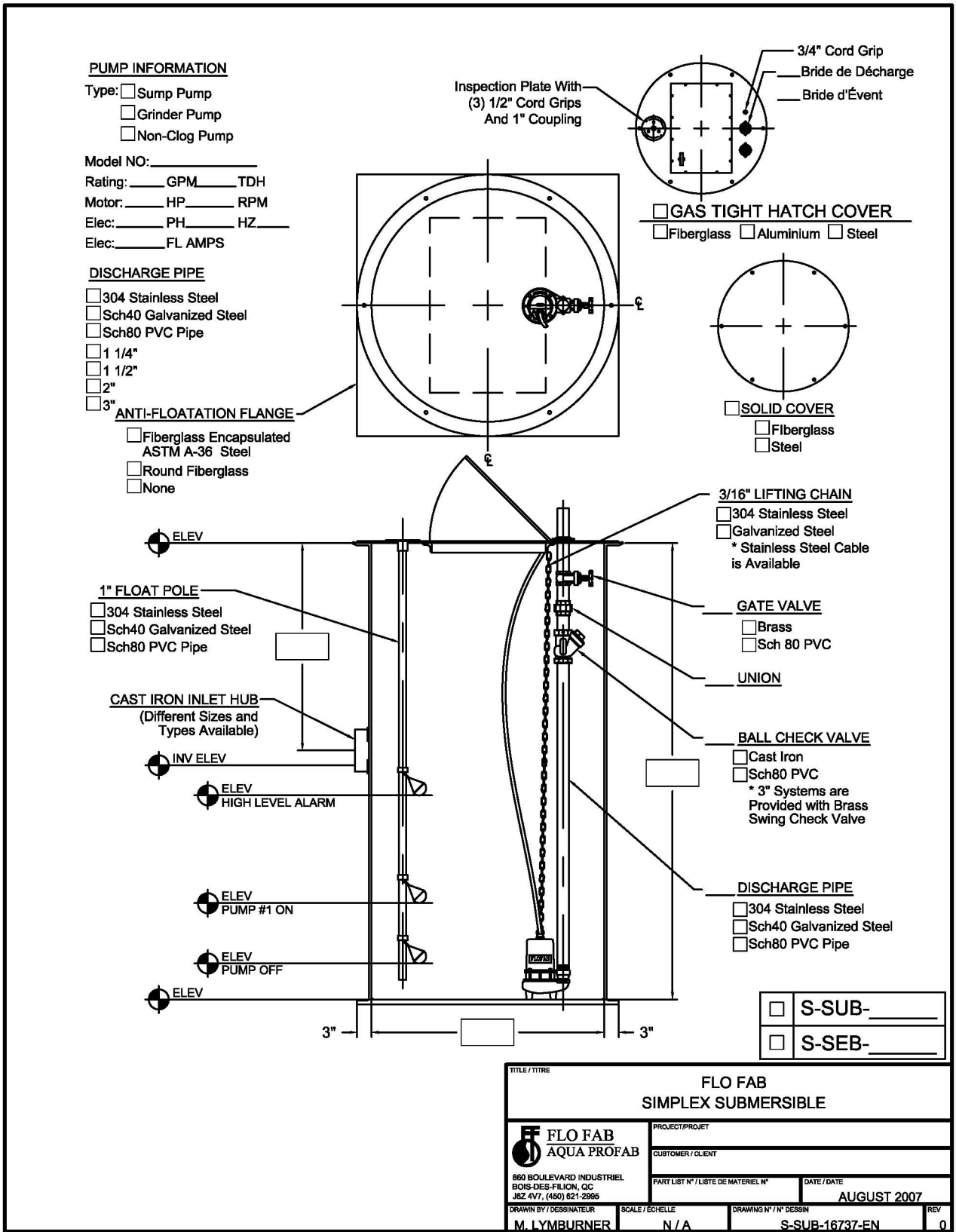
Duplex Metal Covers



BASIN DIAMETER	"A" DIA.	THICKNESS	"B" B.C.D.	DIM "C"	DIM "D"	DIM "E"	DIM "F"	DIM "G"
<input type="checkbox"/> 30D	34.00"	3/16"	32 1/2"	16"	14"	12 1/8"	8"	N/A
<input type="checkbox"/> 30DI	34.00"	3/16"	32 1/2"	16"	14"	12 1/8"	8"	10"
<input type="checkbox"/> 36D	40.00"	3/16"	38 1/2"	18"	16"	14"	9 3/4"	N/A
<input type="checkbox"/> 36DI	40.00"	3/16"	38 1/2"	18"	16"	14"	9 3/4"	12 3/8"
<input type="checkbox"/> 42D	46.00"	1/4"	44 1/2"	22"	20"	17 1/2"	11"	N/A
<input type="checkbox"/> 42DI	46.00"	1/4"	44 1/2"	22"	20"	17 1/2"	11"	15"
<input type="checkbox"/> 48D	54.00"	1/4"	51"	22"	20"	20"	13"	N/A
<input type="checkbox"/> 48DI	54.00"	1/4"	51"	22"	20"	20"	13"	15 1/2"
<input type="checkbox"/> 60D	66.00"	1/4"	63"	28"	26"	25 1/2"	15 1/2"	N/A
<input type="checkbox"/> 60DI	66.00"	1/4"	63"	28"	26"	25 1/2"	15 1/2"	20"

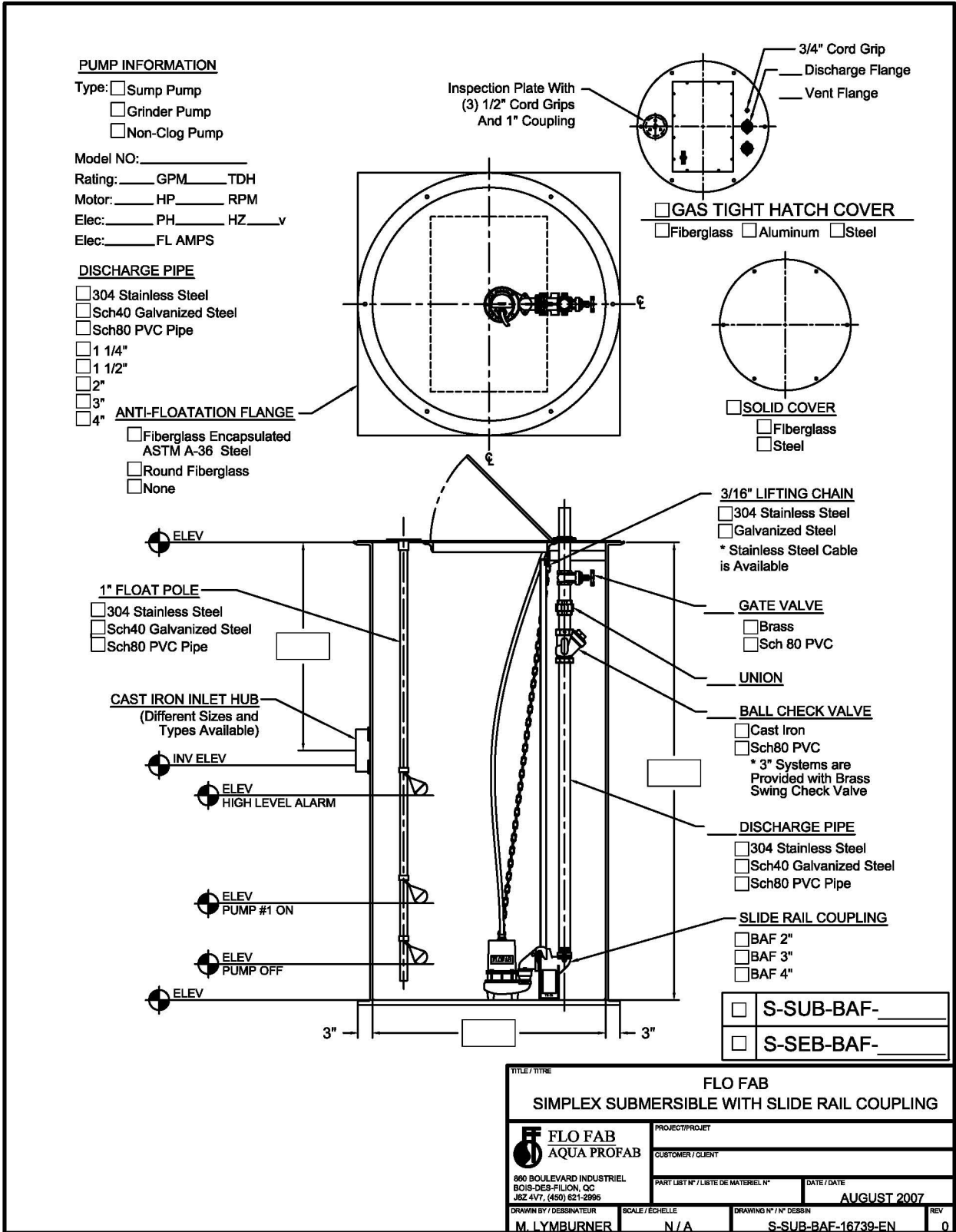


SUBMITTAL DATA SHEET
 ISSUE DATE: MAY 2008
 REVISION DATE: MAY 2008





SUBMITTAL DATA SHEET
 ISSUE DATE: MAY 2008
 REVISION DATE: MAY 2008



FLO FAB			
SIMPLEX SUBMERSIBLE WITH SLIDE RAIL COUPLING			
FLO FAB AQUA PROFAB		PROJECT/PROJET	
860 BOULEVARD INDUSTRIEL BOIS-DES-FILON, QC J6Z 4V7, (450) 621-2996		CUSTOMER / CLIENT	
DRAWN BY / DESSINATEUR		DATE / DATE	REV
M. LYMBURNER		AUGUST 2007	
SCALE / ECHELLE		DRAWING N° / N° DESSIN	
N/A		S-SUB-BAF-16739-FN	0



SUBMITTAL DATA SHEET
 ISSUE DATE: MAY 2008
 REVISION DATE: MAY 2008

PUMP INFORMATION

- Type: Sump Pump
 Grinder Pump
 Non-Clog Pump

Model NO: _____
 Rating: _____ GPM _____ TDH
 Motor: _____ HP _____ RPM
 Elec: _____ PH _____ HZ _____ V
 Elec: _____ FL AMPS

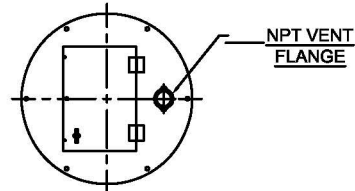
DISCHARGE PIPE

- 304 Stainless Steel
 Sch40 Galvanized Steel
 Sch80 PVC Pipe
 1 1/4"
 1 1/2"
 2"
 3"

ANTI-FLOATATION FLANGE

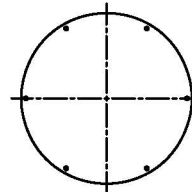
- Fiberglass Encapsulated
 ASTM A-36 Steel
 Round Fiberglass
 None

304 STAINLESS STEEL
 FLOAT BRACKET WITH
 (3) CORD GRIPS
 Floats



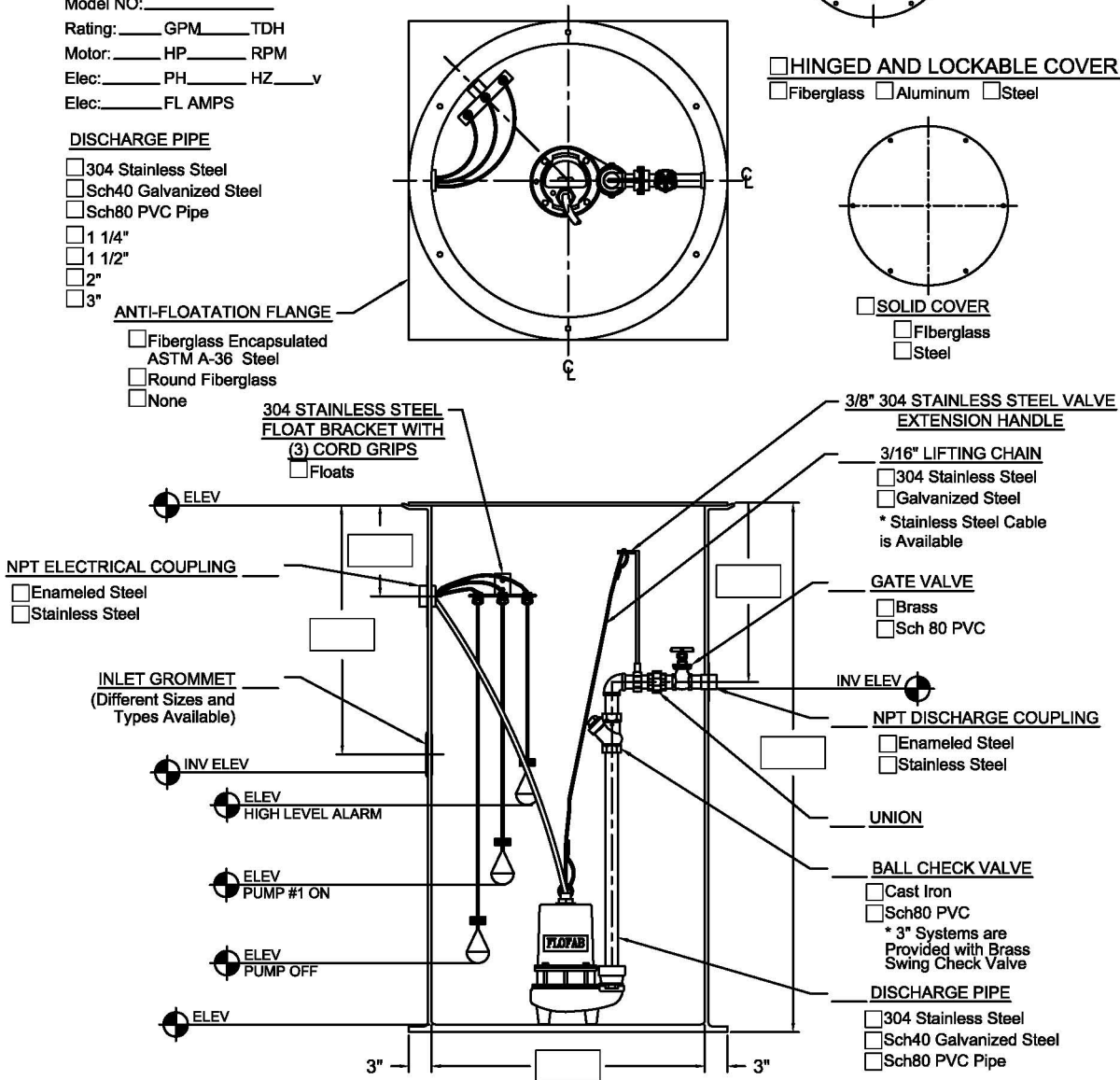
HINGED AND LOCKABLE COVER

- Fiberglass Aluminum Steel



SOLID COVER

- Fiberglass
 Steel

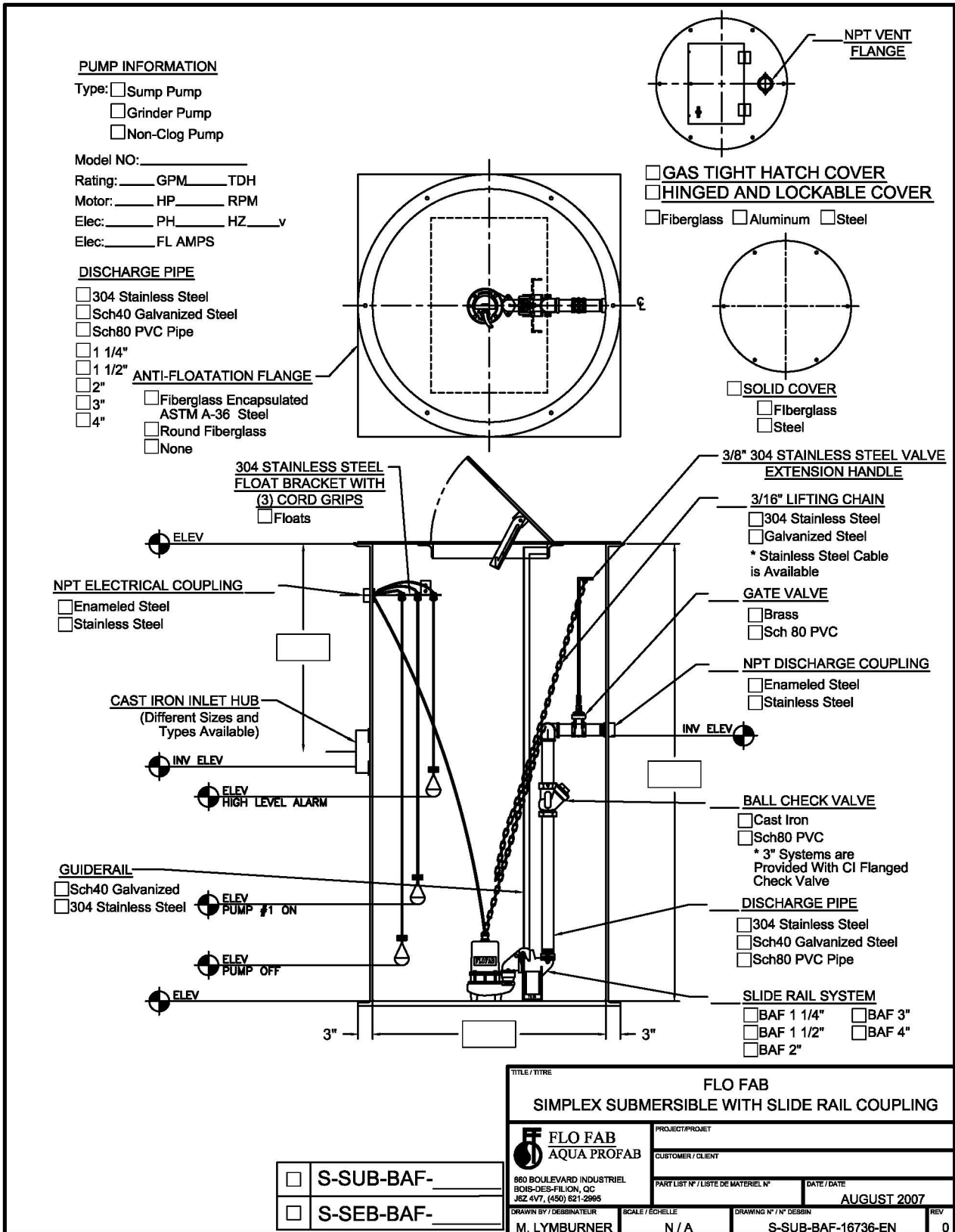


- S-SUB- _____
 S-SEB- _____

TITLE / TITRE FLO FAB SIMPLEX SUBMERSIBLE	
PROJECT / PROJET	
CUSTOMER / CLIENT	
PART LIST N° / LISTE DE MATERIEL N°	DATE / DATE AUGUST 2007
DRAWN BY / DESSINATEUR M. LYMBURNER	SCALE / ECHELLE N/A
DRAWING N° / N° DESSIN S-SUB-10148-EN	REV 0

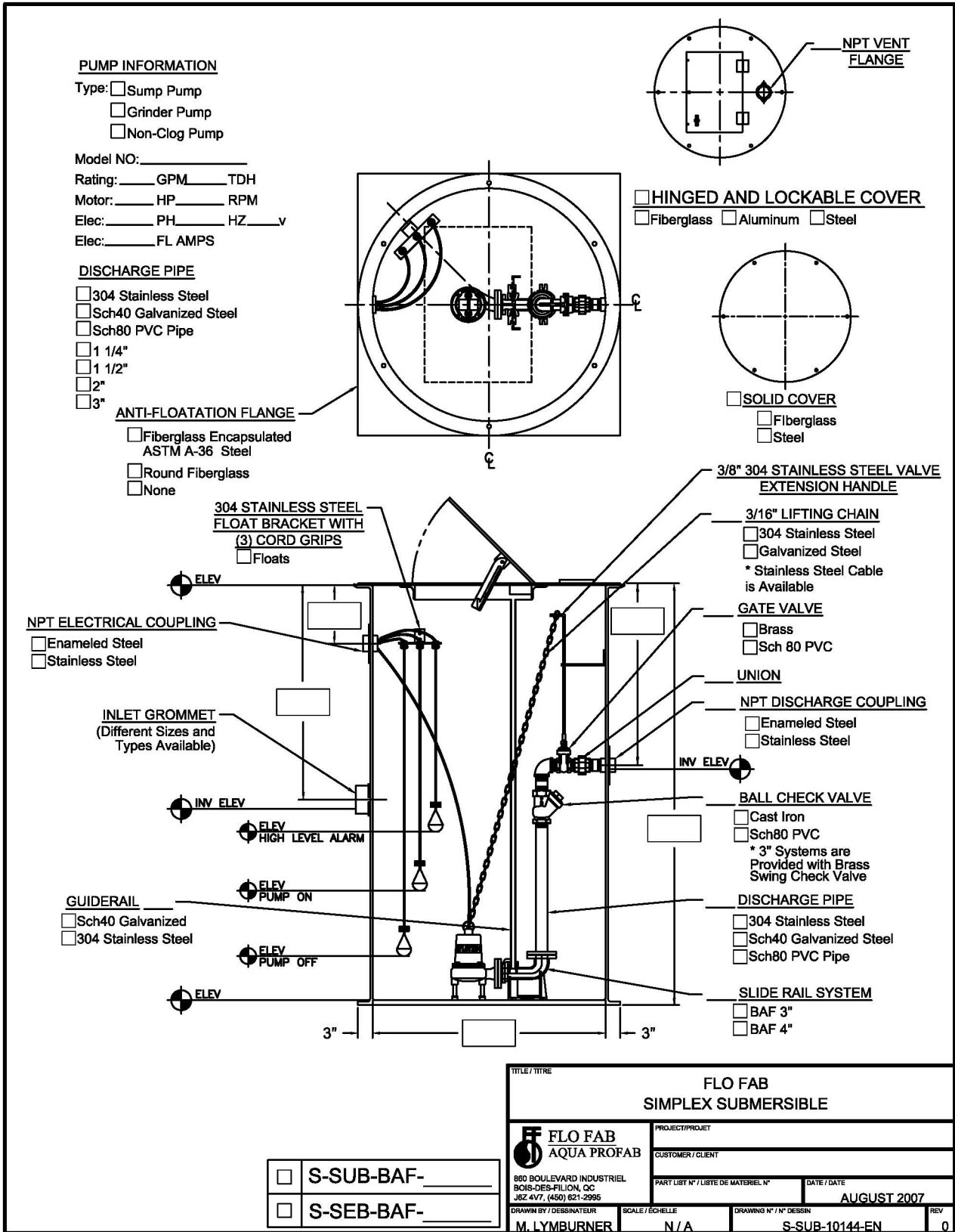
880 BOULEVARD INDUSTRIEL
 BOIS-DES-FILION, QC
 J3Z 4V7, (450) 521-2966

SUBMITTAL DATA SHEET
 ISSUE DATE: MAY 2008
 REVISION DATE: MAY 2008





SUBMITTAL DATA SHEET
 ISSUE DATE: MAY 2008
 REVISION DATE: MAY 2008



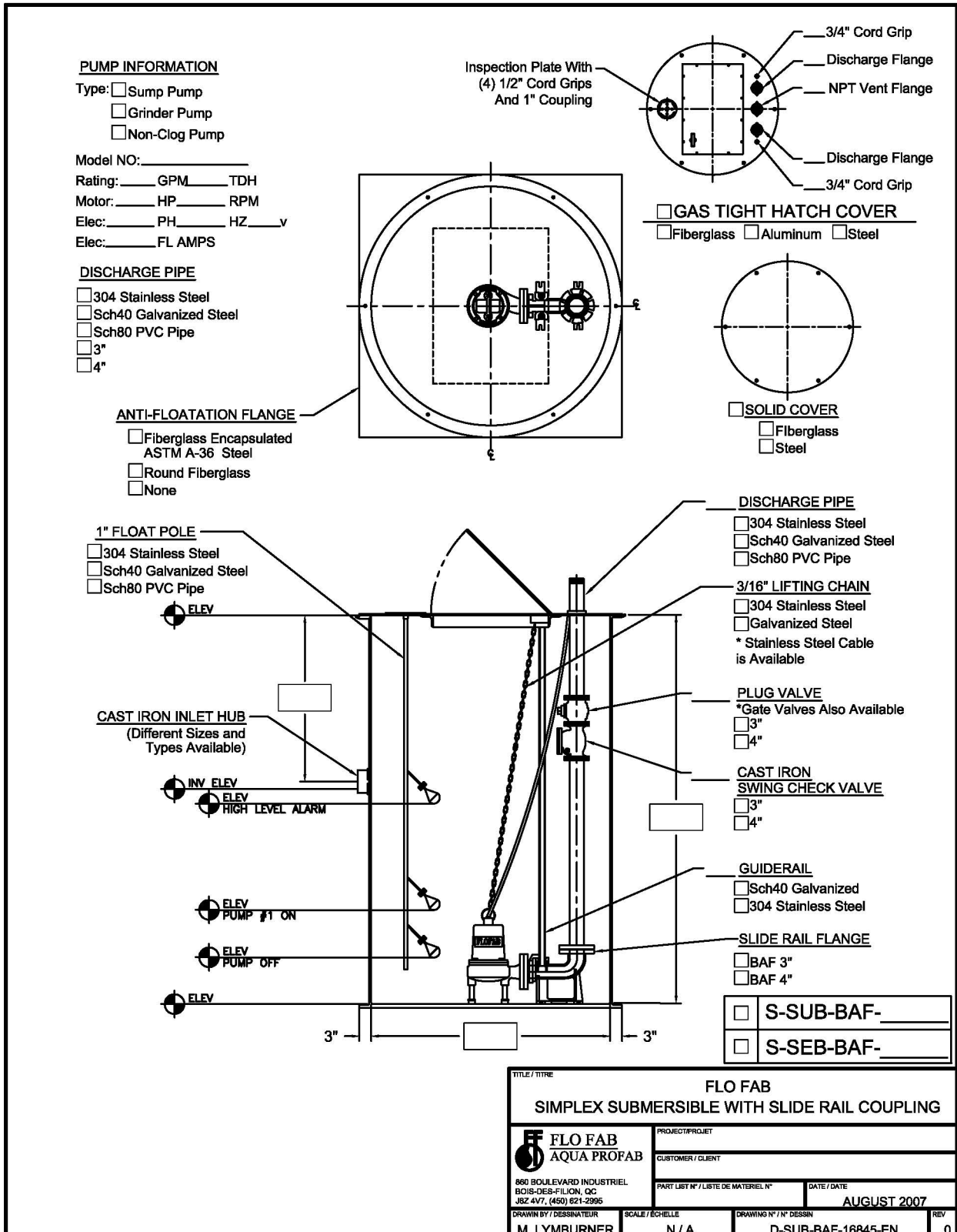
- S-SUB-BAF-_____
- S-SEB-BAF-_____

FLO FAB SIMPLEX SUBMERSIBLE			
FLO FAB AQUA PROFAB		PROJECT/PROJET _____	
860 BOULEVARD INDUSTRIEL BOIS-DES-FILON, QC J8Z 4V7, (450) 821-2995		CUSTOMER / CLIENT _____	
DRAWN BY / DESSINATEUR M. LYMBURNER		PART LIST N° / LISTE DE MATERIEL N° _____	
SCALE / ÉCHELLE N/A		DATE / DATE AUGUST 2007	
DRAWING N° / N° DESSIN S-SUB-10144-EN		REV 0	



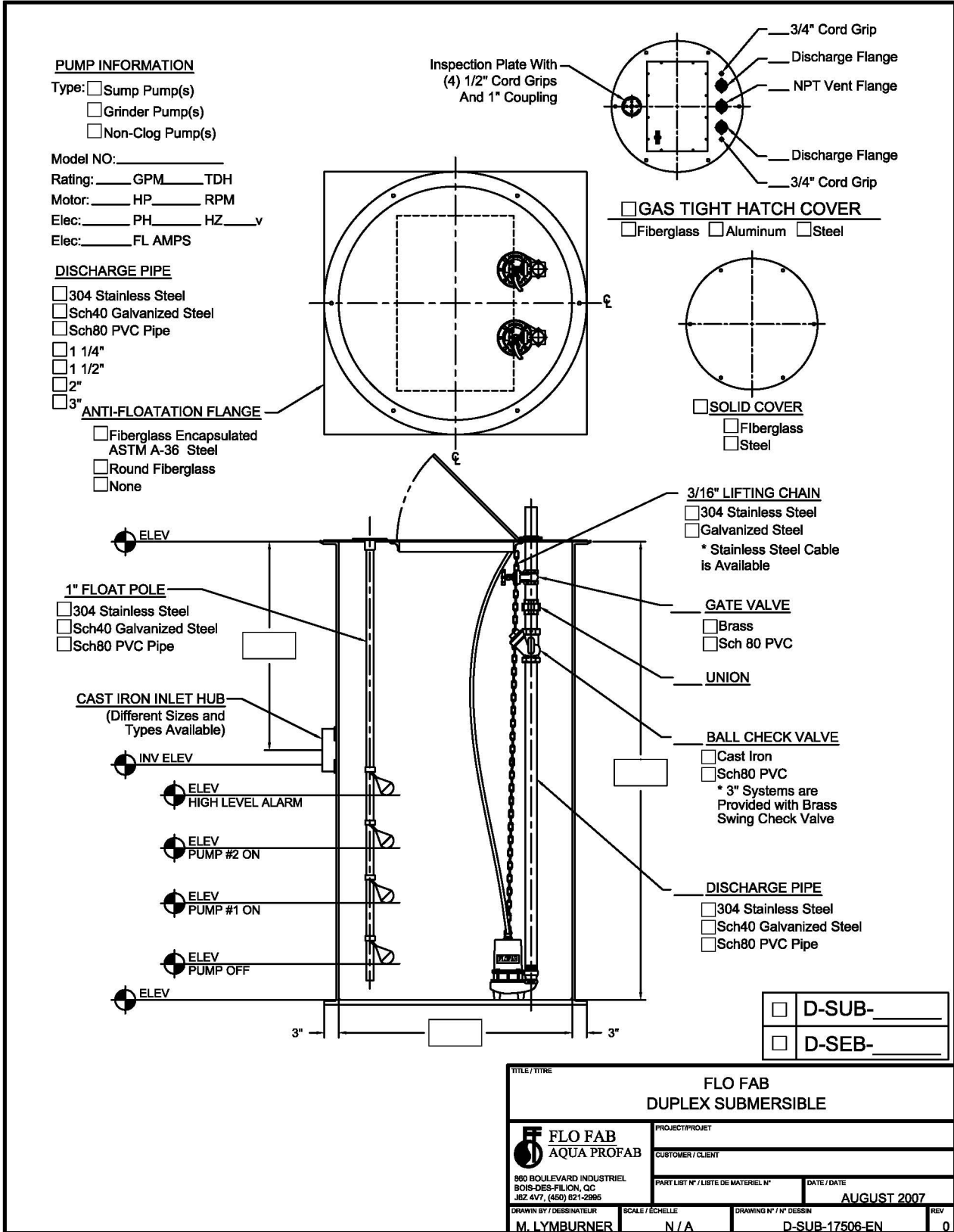


SUBMITTAL DATA SHEET
 ISSUE DATE: MAY 2008
 REVISION DATE: MAY 2008

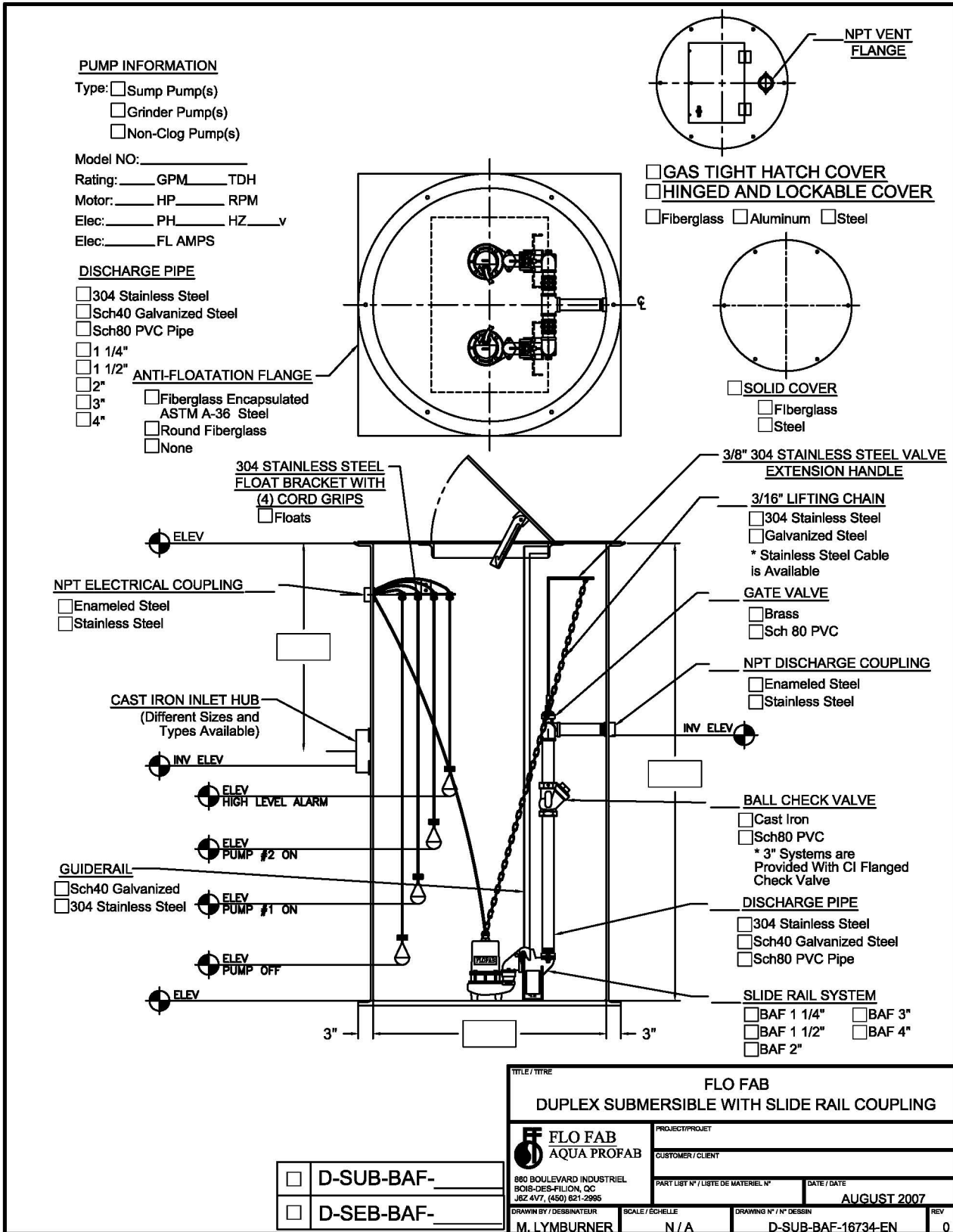




SUBMITTAL DATA SHEET
 ISSUE DATE: MAY 2008
 REVISION DATE: MAY 2008



SUBMITTAL DATA SHEET
 ISSUE DATE: MAY 2008
 REVISION DATE: MAY 2008

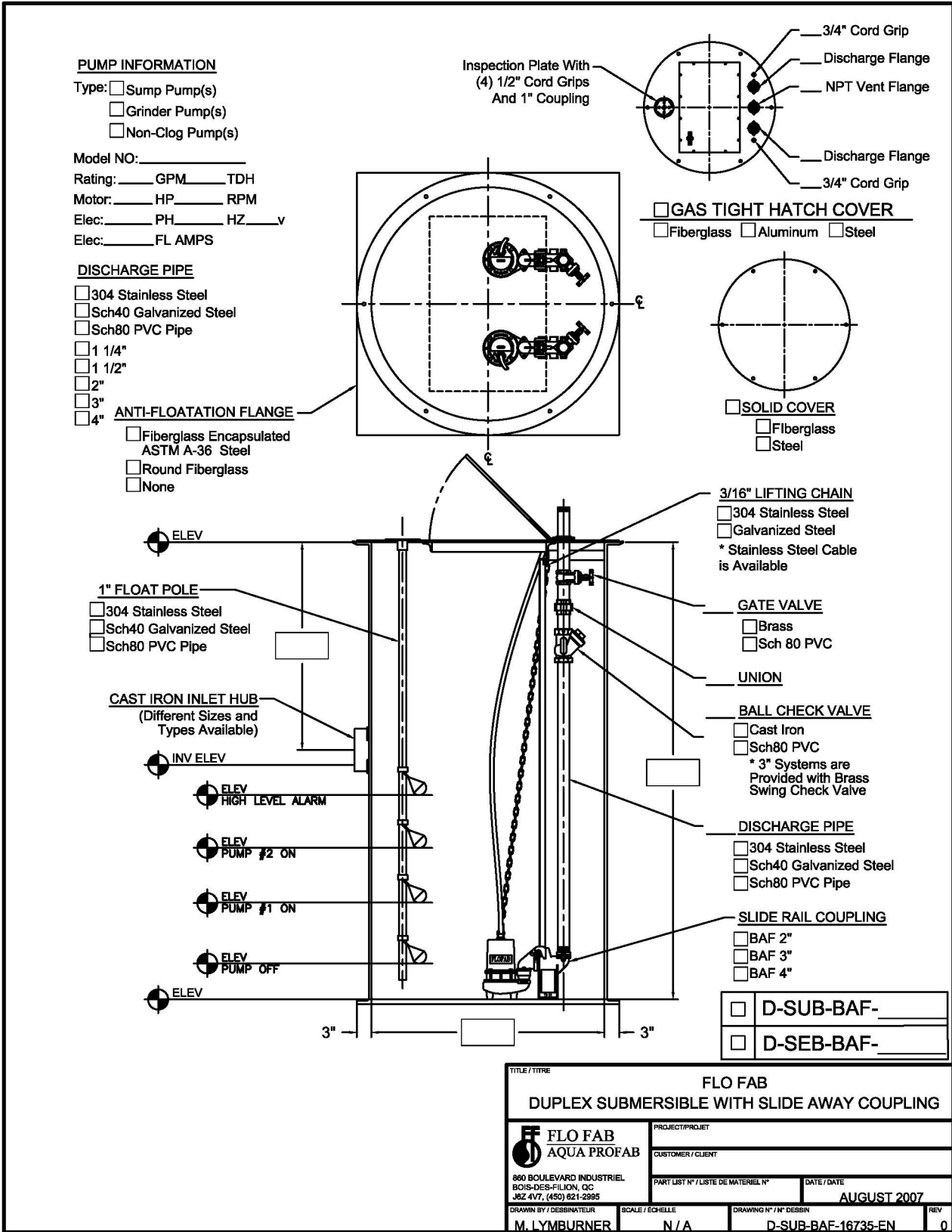


- D-SUB-BAF-_____
- D-SEB-BAF-_____

FLO FAB			
DUPLEX SUBMERSIBLE WITH SLIDE RAIL COUPLING			
FLO FAB AQUA PROFAB		PROJECT/PROJET	
880 BOULEVARD INDUSTRIEL 3018-DES-FILONS, QC J8Z 4V7, (450) 821-2985		CUSTOMER / CLIENT	
DRAWN BY / DESSINATEUR		DATE / DATE	
M. LYMBURNER		AUGUST 2007	
SCALE / ECHELLE		DRAWING N° / N° DESSIN	
N/A		D-SUB-BAF-16734-FN	
		REV 0	



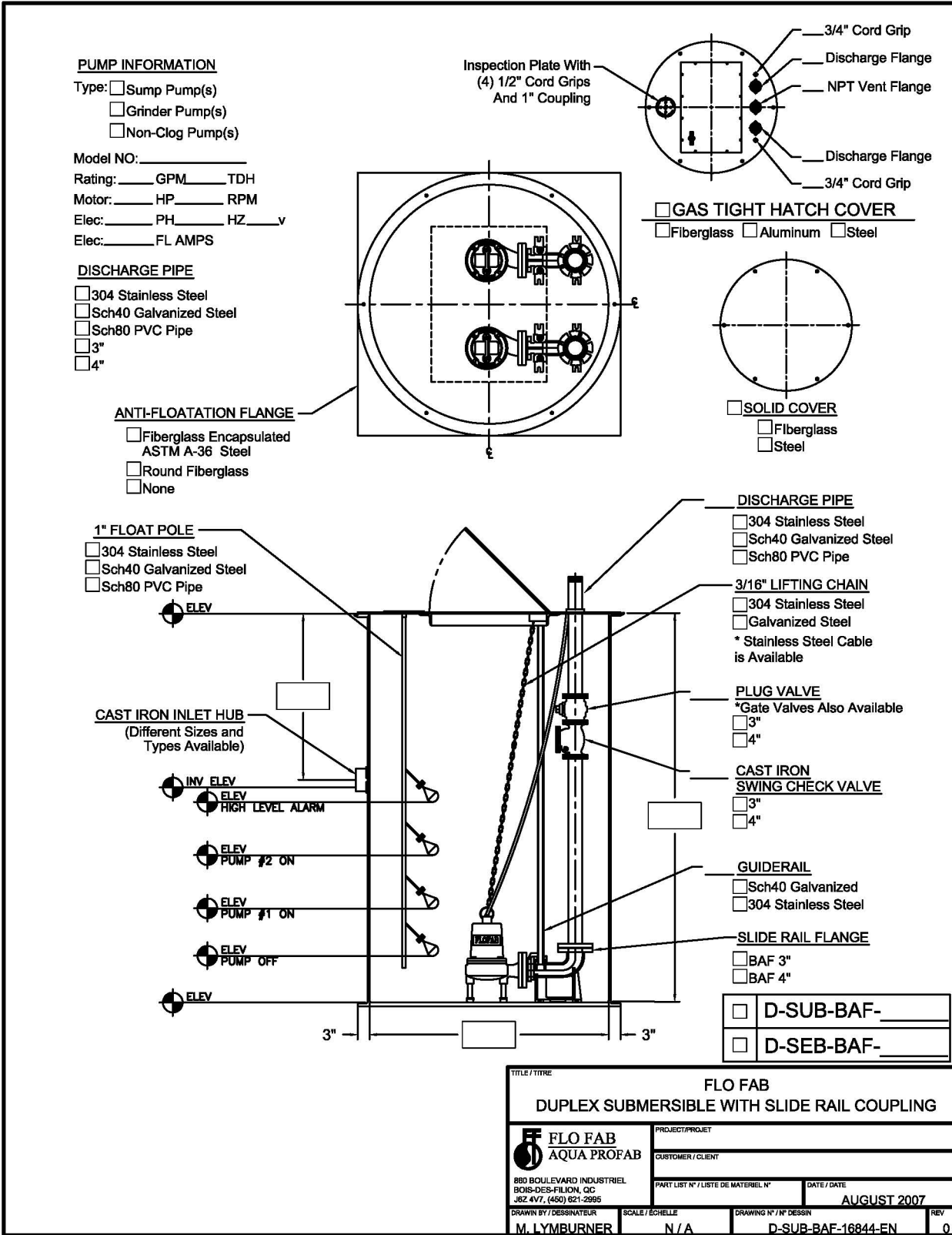
SUBMITTAL DATA SHEET
 ISSUE DATE: MAY 2008
 REVISION DATE: MAY 2008



FLO FAB			
DUPLEX SUBMERSIBLE WITH SLIDE AWAY COUPLING			
		PROJECT/PROJET	
860 BOULEVARD INDUSTRIEL BOIS-DES-FILONS, QC J4Z 4V7, (450) 621-2925		CUSTOMER / CLIENT	
DRAWING BY / DESSINATEUR		PART LIST N° / LISTE DE MATERIEL N°	DATE / DATE
M. LYMBURNER		N / A	AUGUST 2007
SCALE / ECHELLE		DRAWING N° / N° DESSIN	REV
		D-SUB-BAF-16735-EN	0

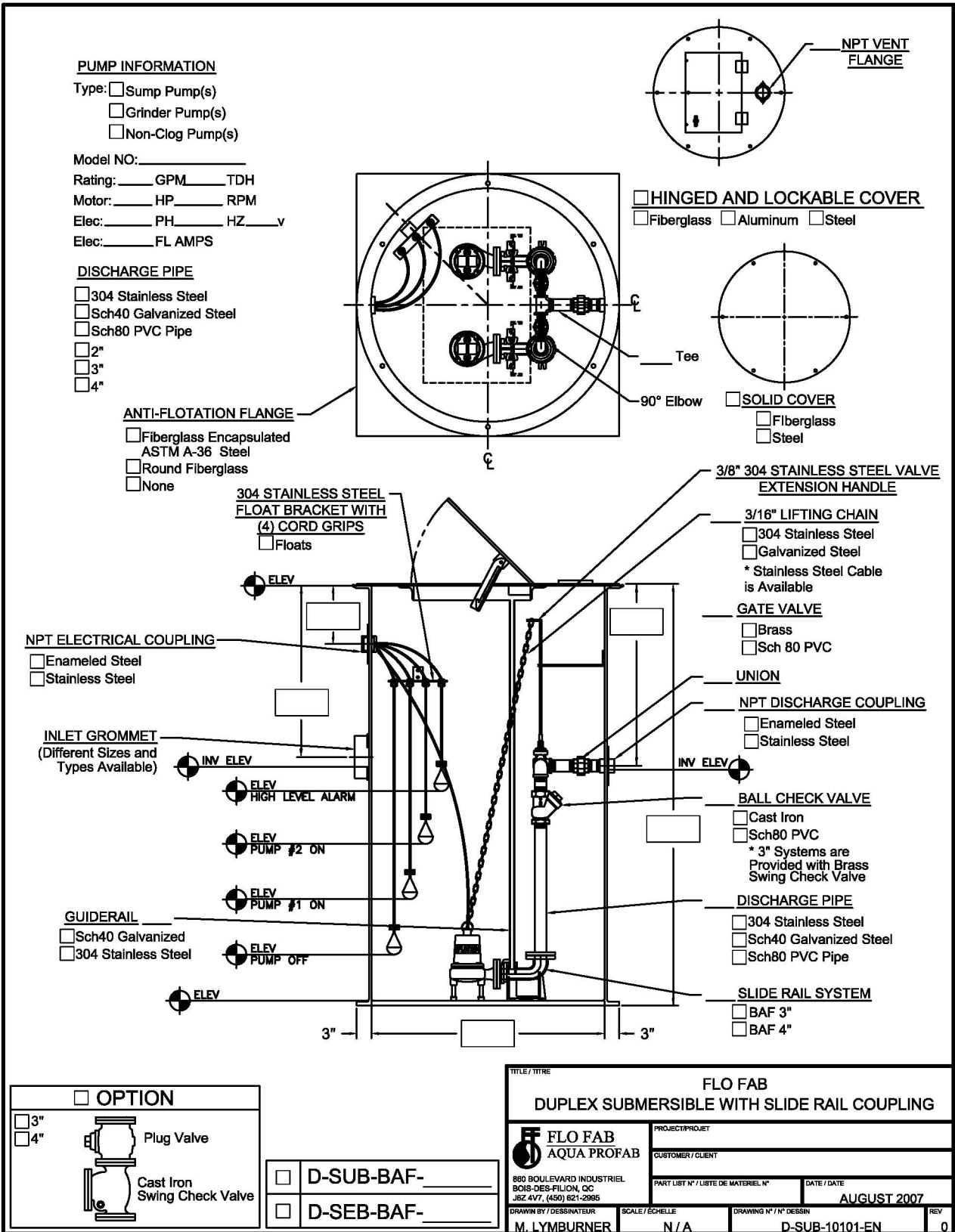


SUBMITTAL DATA SHEET
 ISSUE DATE: MAY 2008
 REVISION DATE: MAY 2008





SUBMITTAL DATA SHEET
 ISSUE DATE: MAY 2008
 REVISION DATE: MAY 2008



STANDARD FOR SIMPLEX SUBMERSIBLE PANELS

A NEMA 1 enclosure, including a main disconnect switch, one set of HRC fuses for short-circuit protection, one magnetic starter, one transformer with primary and secondary fuses(for system other than 120v), 120v control circuit, provision to connect three N.O. floats(FL1: stop float, FL2: pump start, FL3: high water level), one "Hand Off Auto" selector switch, "Power on", "Pump run", "High water level", pilot lights, audible alarm with silencer and test and dry contact for remote alarm.

NEMA Type 1 General Purpose	To prevent accidental contact with enclosed apparatus. Suitable for application Indoors. where not exposed to unusual service conditions.
NEMA Type 2 Driptight	To prevent accidental contact with enclosed apparatus. Excludes falling moisture or dirt
NEMA Type 4 Watertight	Designed to exclude water applied in form of hose stream. To protect against steam of water during cleaning operations, etc.
NEMA Type 4X Corrosion Resistant	Designed to exclude water supplied in form of hose stream and used in areas where serious corrosion problem exists.
NEMA Type 12 Industrial Use	Excludes dust, lint, fibers and flyings or oil or coolant seepage.

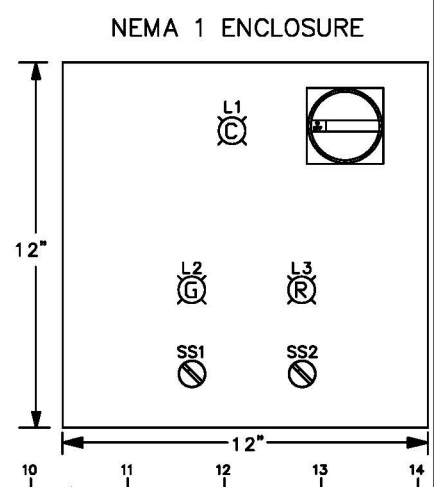
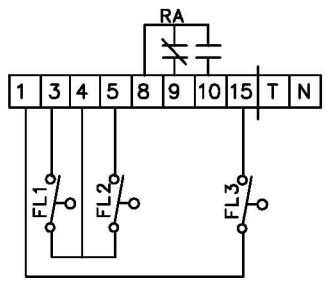
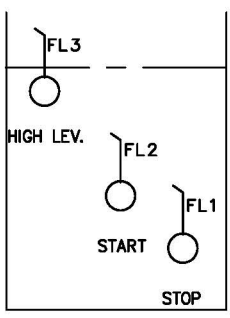
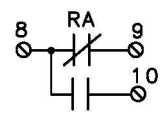
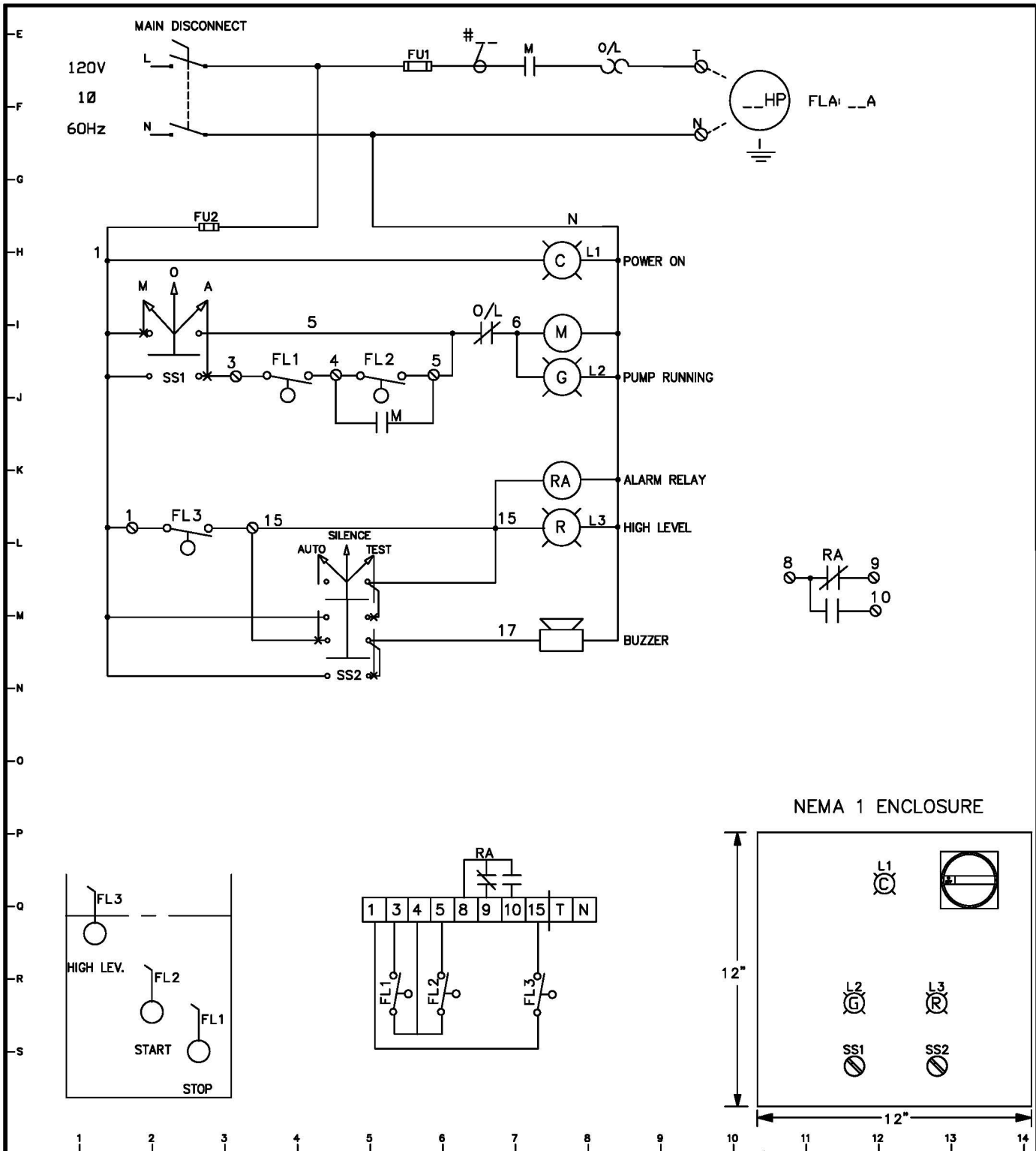


STANDARD FOR SIMPLEX SUBMERSIBLE PANELS

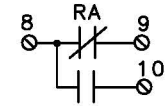
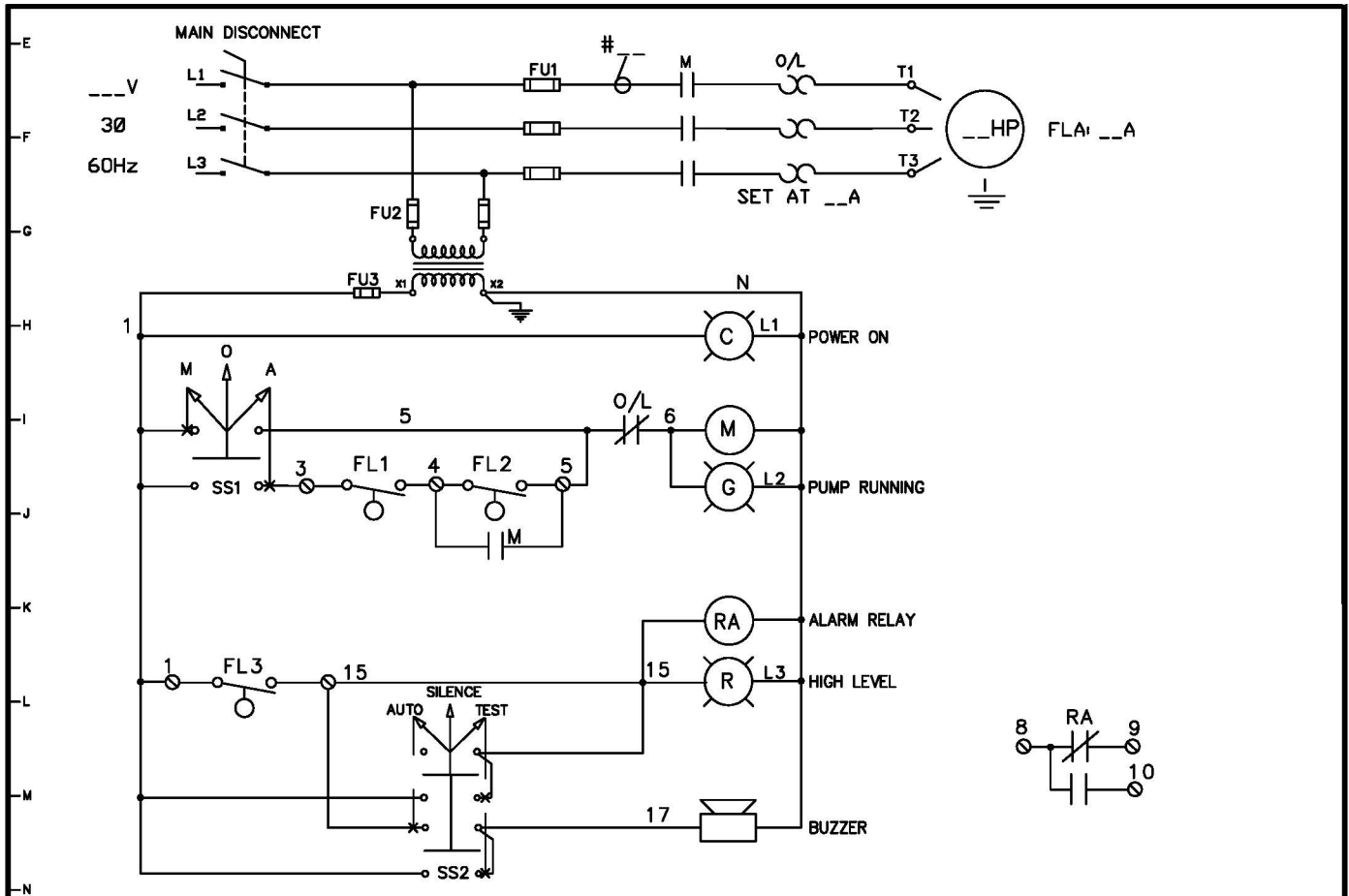
OPT#	DESCRIPTION
1	Enclosure Eemac/Nema 2 – Indoor – Falling water & light splashing
2	Inner door for tamper proofing any enclosure
3	Enclosure Eemac/Nema 12 – Dust tight
4	Enclosure Eemac/Nema 4 – Outdoor – Protection against hose directed water
4A	Enclosure Eemac/Nema 4X – Same as Item 4 but fibreglass corrosion proof
4B	Enclosure Eemac/Nema 4X – Same as item 4 but stainless steel painted corrosion proof (brushed finish available)
5	Alarm relay for remote indication
6	Alarm block (buzzer-silence selector-pilot light)
6A	Alarm block – as above but with silence push button
7	Motor overload (over current) indication per pump (pilot light)
7A	As above but with dry contact for remote indication
8	Seal leak fault per pump (conductivity relay with pilot light)
8A	As above but with dry contact for remote indication
9	Motor overheat fault indication per pump (pilot light)
9A	As above but with dry contact for remote indication
10	Pilot light for various function
11	Alarm bell
12	Elapsed time meter (Nema 1) per pump
13	Intrinsic safe relay (use when floats or electrodes are located in explosive medium)
14	Pump control using conductivity relay and electrodes
15	Loss of phase fault indication (pilot light) on incoming power (use with 3 phase supply)
17	Globe alarm (25 watt-non flashing-shatter proof)
18	Pump protection with breaker on single phase system - Max. 40 Amps - (branch circuit protection device rated – Type E rating)
19	Heater element + thermostat
22	Installation of capacitor pack in panel (for starting single phase pump)
24	Fault indication (Relay + pilot light)
31	Stop/Start with one float
32	Stop/Start with two floats
35	120V Supply for external load (Specify load)
36	Emergency stop push button
38	Low level indication (pilot light)
38A	Low level indication – shutdown with remote indication
39	Low low level indication (pilot light)
39A	Low low level indication – shut down with remote indication
40	Additional stop-start push button per pump
41	Provision for connection of solenoid
43	Remote start/stop signal
43A	24 Volt start signal
44	Lamp test push button
44A	Push to test push button
46	On delay timer (use to avoid nuisance tripping on certain faults)
47	Off delay timer

STANDARD FOR SIMPLEX SUBMERSIBLE PANELS

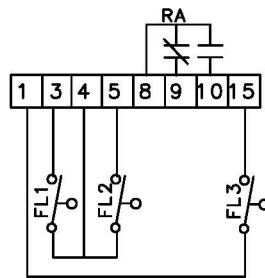
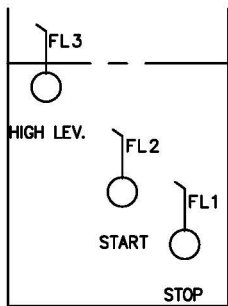
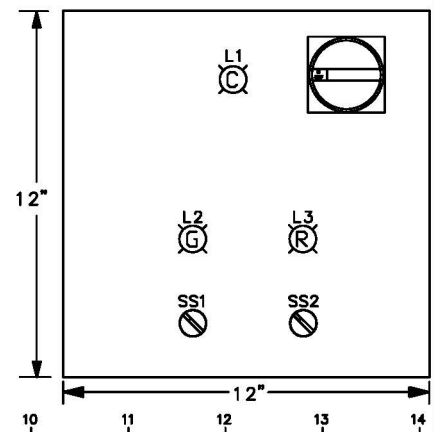
OPTIO	DESCRIPTION
48	Two positions selector
55	Indication only of pump failure to start
60	Float failure alarm
63	Ammeter – CT operated – for one pump
64	Voltmeter for system voltage – Direct read
65	Pump stop indication
67	Fault with latching relay and reset button
68	Remote signal for low of power
69	Current detection relay per pump (to confirm pump running)
70	Loss of phase and phase reversal detection and indication (three phase system)
72	Timer for minimum run
73	Timer for maximum run
74	General alarm indication with relay
77	Lightning arrestor
78	Extra for flashing function on pilot light or globe
79	Ground fault indication with pilot light (no stopping of pump)
80	Duplex receptacle – 120 V – 100Watts
81	Motor circuit interrupter (instead of fuses) – Max. 40 Amps – Rated as branch circuit protection device – Type E
81A	Moulded case circuit protector (replaces fuses)
82	Repeat cycle timer
84	Telephone dialler with battery back-up
85	Push button for misc. sequence (describe sequence)
86	Alarm high level
87	Pump start counter
88	Variable freq. drive for variable speed pumps
89	Line or load reactor for above
91	Stop pump on low level in manual mode
93	Horn
95	Auto reset of latched faults on resumption of power
99	Blown fuse indication for single phase system
101A	Circuit breaker protection for primary and secondary of transformer
101B	Circuit breaker protection for secondary of transformer
103	Soft start for reduced voltage starting
105	Forced ventilation (Louvre-Fan-Thermostat)
106	Reversing starter
108	Through the door overload reset buttons
109	Tank alert
112	U/L approval of panel
113	Provision for padlock on enclosure





REMARKS: REMARQUES :			TITLE: SIMPLEX SEWAGE		REV.	DESCRIPTION
DRAWN BY: S. DeMONTIGNY			PROJECT:		DRAWING #: S. D. 8506-A	DPT. #: 00
CONTROLLED BY:		DATE: 12-05-2000		PAGE 1 OF 1		



NEMA 1 ENCLOSURE



REMARKS: REMARQUES :			REV.		DESCRIPTION
 FLO FAB			TITLE: SIMPLEX SEWAGE		
			PROJECT:		
DRAWN BY: S. DeMONTIGNY	CONTROLLED BY:	DATE: 12-05-2000	PAGE 1 OF 1		

STANDARD FOR DUPLEX SUBMERSIBLE PANELS

A NEMA 1 enclosure, including a main disconnect switch, two sets of HRC fuses for short-circuit protection, two magnetic starters, one transformer with primary and secondary fuses(for system other than 120v), 120v control circuit, alternating circuit, provision to connect four N.O. floats(FL1: stop float, FL2: lead pump start, FL3: lag pump start, FL4: high water level), automatic transfer to lag pump in case of lead pump overload, two "Hand Off Auto" selectors switches, "Power on", "Pump 1 run", "Pump 2 run", "High water level", pilot lights, audible alarm with silencer and test and dry contact for remote alarm.

NEMA Type 1 General Purpose	To prevent accidental contact with enclosed apparatus. Suitable for application Indoors. where not exposed to unusual service conditions.
NEMA Type 2 Driptight	To prevent accidental contact with enclosed apparatus. Excludes falling moisture or dirt
NEMA Type 4 Watertight	Designed to exclude water applied in form of hose stream. To protect against steam of water during cleaning operations, etc.
NEMA Type 4X Corrosion Resistant	Designed to exclude water supplied in form of hose stream and used in areas where serious corrosion problem exists.
NEMA Type 12 Industrial Use	Excludes dust, lint, fibers and flyings or oil or coolant seepage.



STANDARD FOR DUPLEX SUBMERSIBLE PANELS

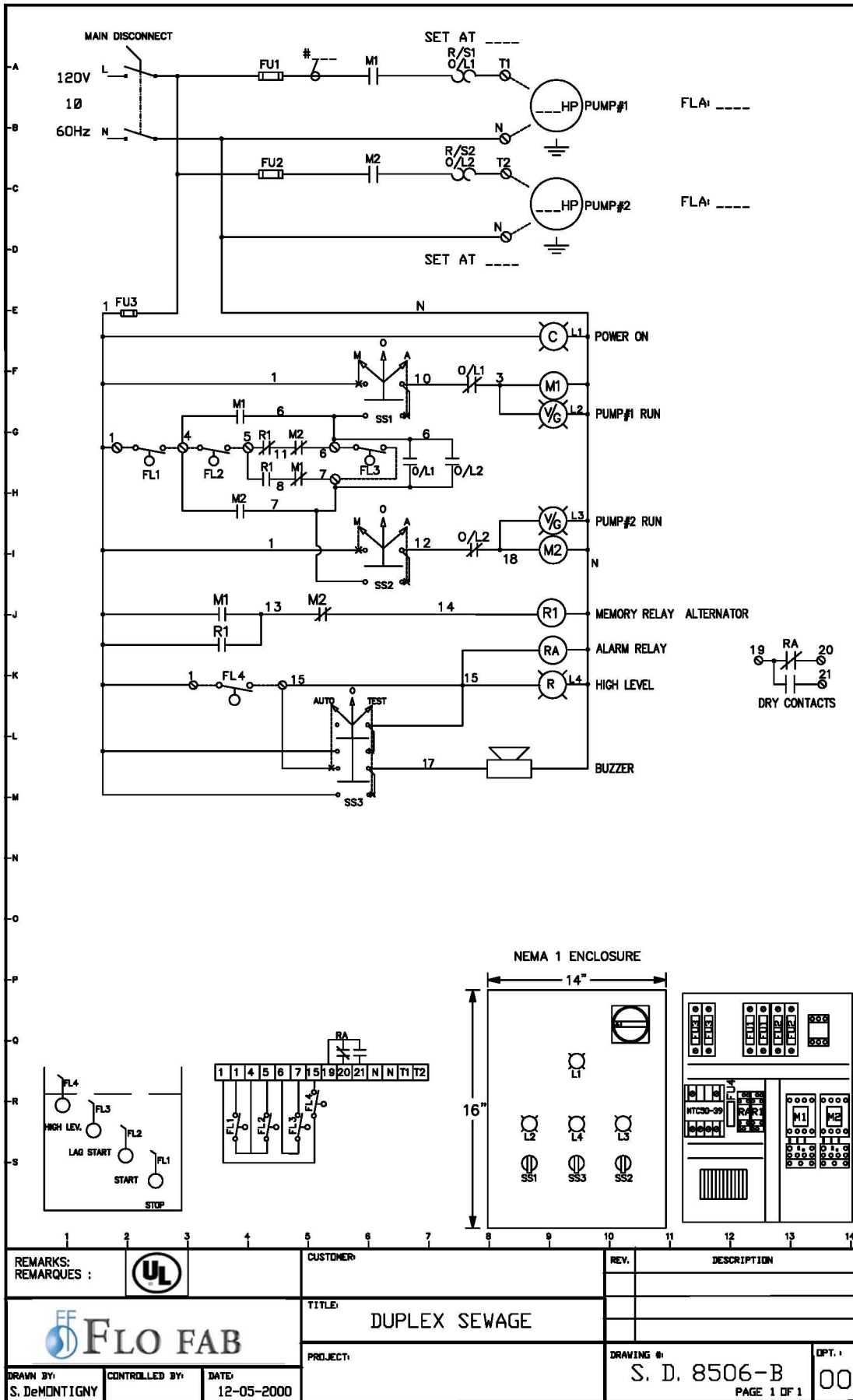
OPTIO	DESCRIPTION
1	Enclosure Eemac/Nema 2 – Indoor – Falling water & light splashing
2	Inner door for tamper proofing any enclosure
3	Enclosure Eemac/Nema 12 – Dust tight
4	Enclosure Eemac/Nema 4 – Outdoor – Protection against hose directed water
4A	Enclosure Eemac/Nema 4X – Same as Item 4 but fibreglass corrosion proof
4B	Enclosure Eemac/Nema 4X – Same as item 4 but stainless steel painted corrosion proof (brushed finish available)
5	Alarm relay for remote indication
6	Alarm block (buzzer-silence selector-pilot light)
6A	Alarm block – as above but with silence push button
7	Motor overload (over current) indication per pump (pilot light)
7A	As above but with dry contact for remote indication
8	Seal leak fault per pump (conductivity relay with pilot light)
8A	As above but with dry contact for remote indication
9	Motor overheat fault indication per pump (pilot light)
9A	As above but with dry contact for remote indication
10	Pilot light for various function
11	Alarm bell
12	Elapsed time meter (Nema 1) per pump
13	Intrinsic safe relay (use when floats or electrodes are located in explosive medium)
14	Pump control using conductivity relay and electrodes
15	Loss of phase fault indication (pilot light) on incoming power (use with 3 phase supply)
17	Globe alarm (25 watt-non flashing-shatter proof)
18	Pump protection with breaker on single phase system - Max. 40 Amps - (branch circuit protection device rated – Type E rating)
19	Heater element + thermostat
20	Time clock (use for alternating pumps – Specify 12 hours/24 hours/weekly)
21	Main disconnect
21A	Disconnect for each pump controlled by panel
22	Installation of capacitor pack in panel (for starting single phase pumps)
23	Alternating relay (Electro-Mech)
24	Fault indication (Relay + pilot light)
25	Alternating relay - Electronic
26	Alternator - Mechanical
27	Programmable controller
31	Stop/Start with one float
32	Stop/Start with two floats
35	120V Supply for external load (Specify load)
36	Emergency stop push button
38	Low level indication (pilot light)
38A	Low level indication – shutdown with remote indication
39	Low low level indication (pilot light)
39A	Low low level indication – shut down with remote indication
40	Additional stop-start push button per pump
41	Provision for connection of solenoid
43	Remote start/stop signal
43A	24 Volt start signal
44	Lamp test push button
44A	Push to test push button

STANDARD FOR DUPLEX SUBMERSIBLE PANELS

OPTIO	DESCRIPTION
46	On delay timer (use to avoid nuisance tripping on certain faults)
47	Off delay timer
48	Two positions selector
55	Indication only of pump failure to start
60	Float failure alarm
62	Lead pump selector switch
63	Ammeter – CT operated – for two pumps
64	Voltmeter for system voltage – Direct read
65	Pump stop indication
67	Fault with latching relay and reset button
68	Remote signal for low of power
69	Current detection relay per pump (to confirm pump running)
70	Loss of phase and phase reversal detection and indication (three phase system)
72	Timer for minimum run
73	Timer for maximum run
74	General alarm indication with relay
75	Lag pump demand indication (pilot light)
77	Lightning arrestor
78	Extra for flashing function on pilot light or globe
79	Ground fault indication with pilot light (no stopping of pump)
80	Duplex receptacle – 120 V – 100Watts
81	Motor circuit interruptor (instead of fuses) – Max. 40 Amps – Rated as branch circuit protection device – Type E
81A	Moulded case circuit protector (replaces fuses)
82	Repeat cycle timer
84	Telephone dialler with battery back-up
85	Push button for misc. sequence (describe sequence)
86	Alarm high level
86A	Start lag pump on high level
87	Pump start counter
88	Variable freq. drive for variable speed pumps
89	Line or load reactor for above
91	Stop pump on low level in manual mode
93	Horn
95	Auto reset of latched faults on resumption of power
99	Blown fuse indication for single phase system
100	Incoming power from two sources with one control transformer
100A	Incoming power from two sources with two control transformers
101A	Circuit breaker protection for primary and secondary of transformer
101B	Circuit breaker protection for secondary of transformer
103	Soft start for reduced voltage starting
104	Mini-Cas II for seal and temperature fault on Flyght pumps (one per pump)
105	Forced ventilation (Louvre-Fan-Thermostat)
106	Reversing starter
108	Through the door overload reset buttons
109	Tank alert
112	U/L approval of panel
113	Provision for padlock on enclosure



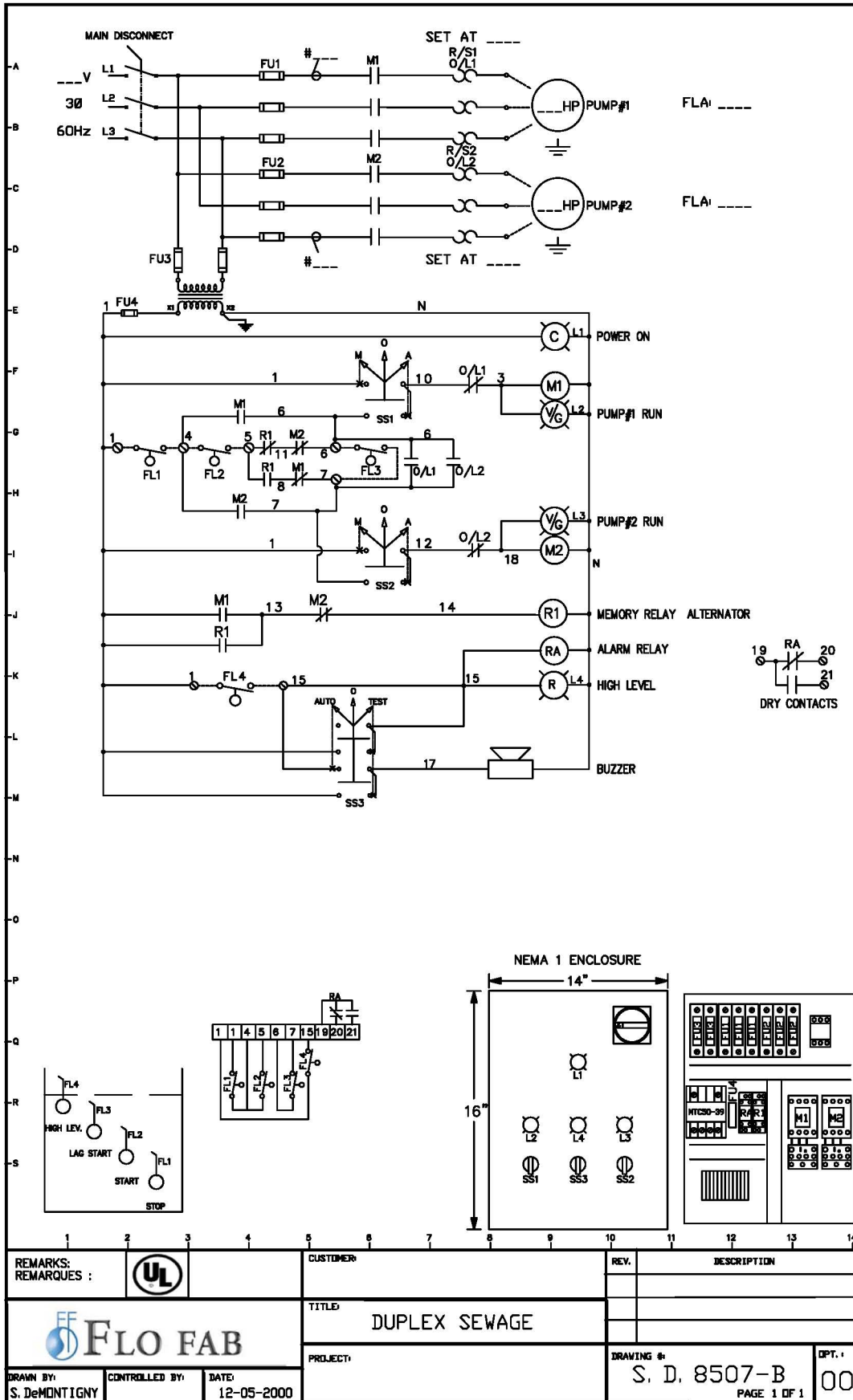
FLO FAB

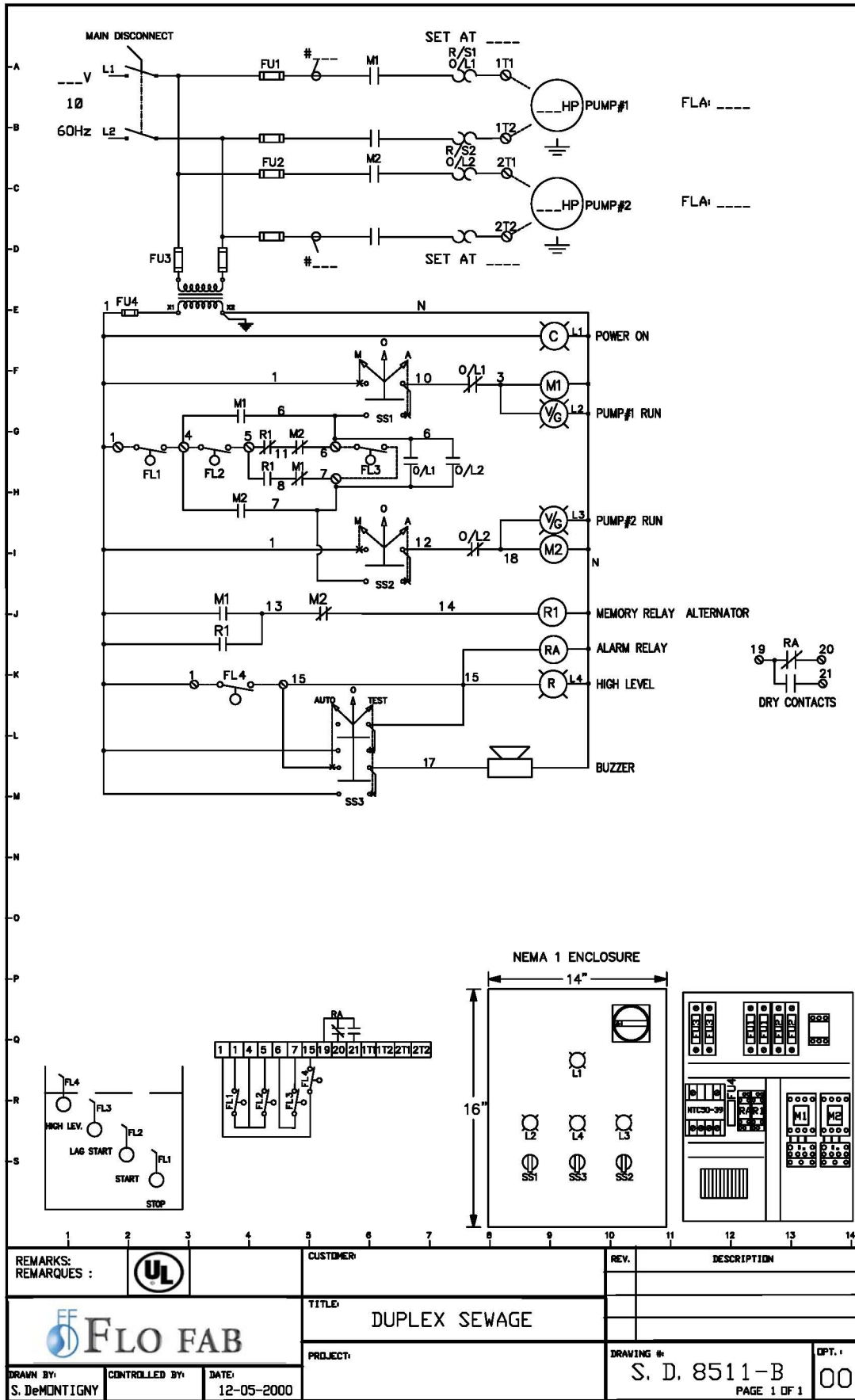


REMARKS: REMARKES :			CUSTOMER:	REV.	DESCRIPTION
			TITLE:	DUPLIX SEWAGE	
PROJECT:			DRAWING #:	S. D. 8506-B	OPT. 1
DRAWN BY: S. DeMONTIGNY	CONTROLLED BY:	DATE: 12-05-2000	PAGE 1 OF 1		00



FLO FAB







FLO FAB



**Manufacturer of Pumps, Tanks, Heat Exchangers & Accessories
for HVAC Market After-Sales Parts and Services**

www.flofab.com

**860, boul Industriel
Bois-des-Filions, QC,
Canada, J6Z 4V7**

**Tel.: (450) 621-2995
Fax.: (450) 621-4995**

**Lake Worth
Florida
USA
33467-5749**

MAY 2008