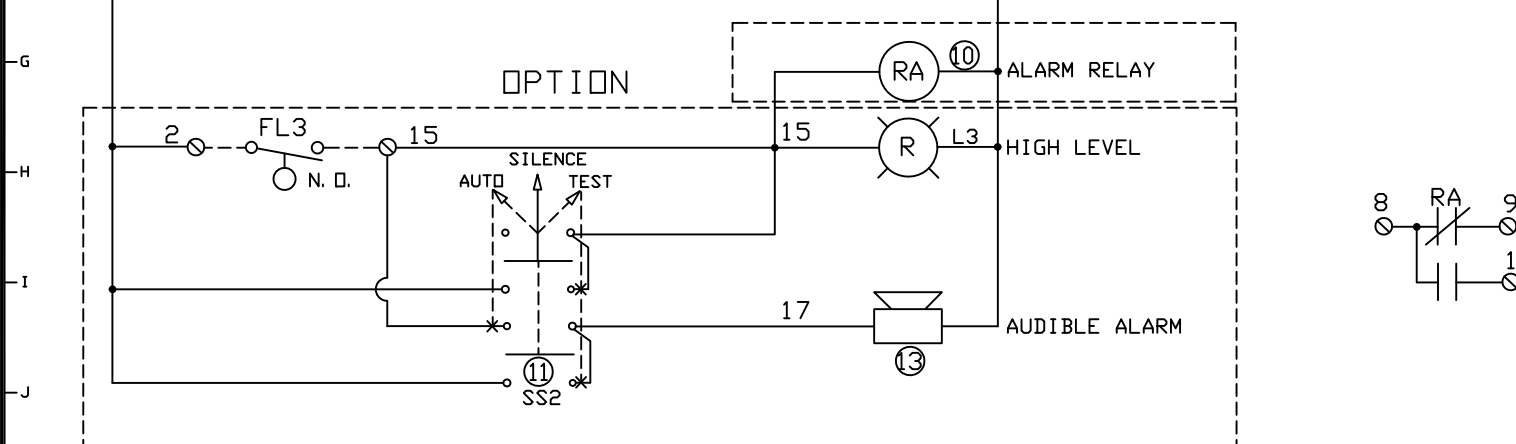
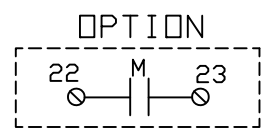
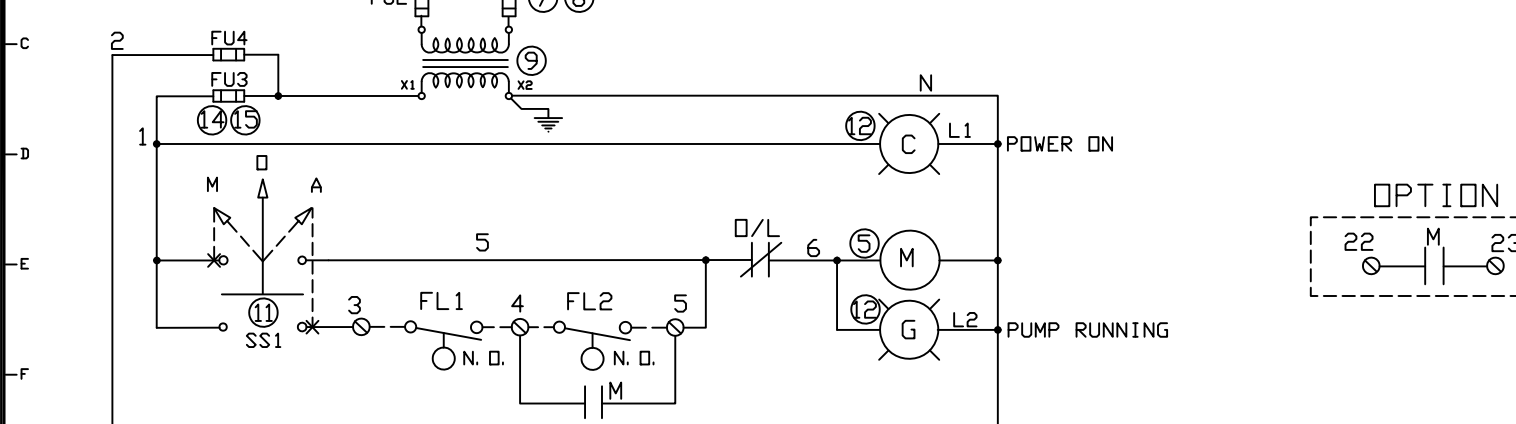
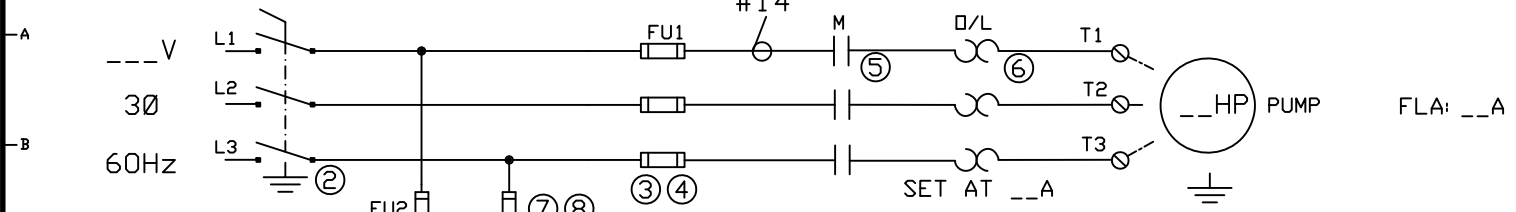


MAIN DISCONNECT



REMARKS:		CUSTOMER:		REV.	DESCRIPTION
				02	ADD FUSE ON HIGH LEVEL CIRCUIT
				TITLE: SIMPLEX SEWAGE/CONDENSATE	
1885 boul. Lionel-Bertrand Boisbriand-QUEBEC-CANADA J7H 1N8 PH. (514) 332-2111 FAX (514) 332-0758 WEBSITE www.carostan.com EMAIL carostan@qc.aira.com		PROJECT:		DRAWING #:	OPT. 1
DRAWN BY: S. DeMONTIGNY	CONTROLLED BY:	DATE: 21-07-2020	S. D. 8532-A		00
					PAGE 1 OF 2

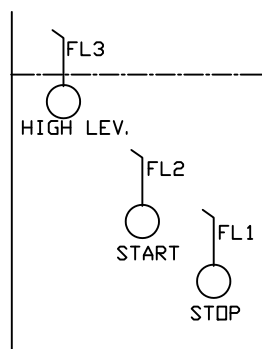
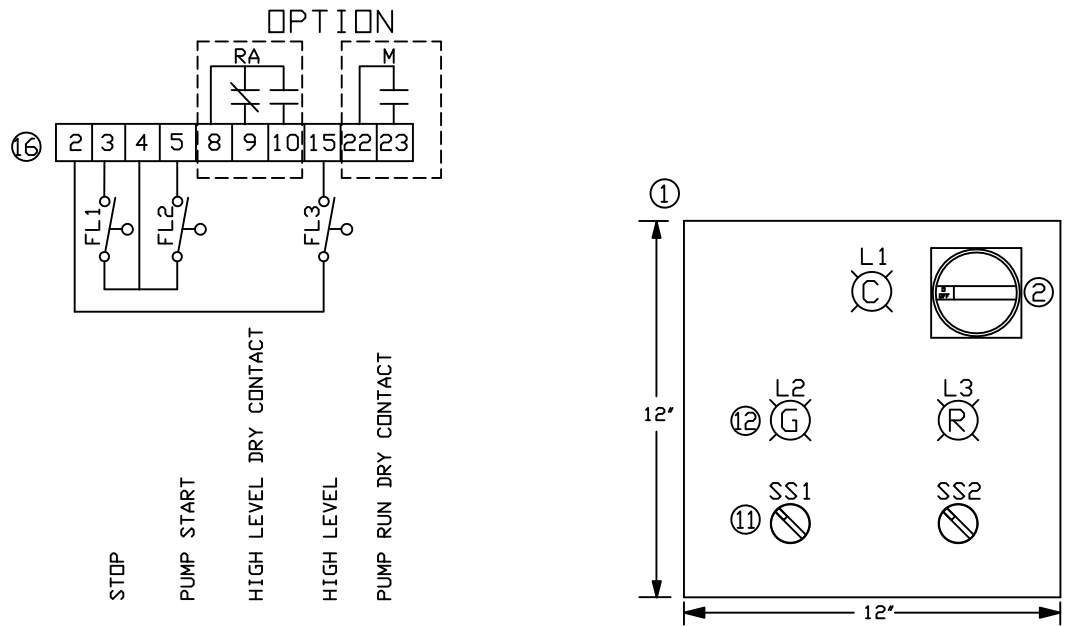
ITEM	QTY	DESCRIPTION	PART NUMBER
①	1	EEMAC 1 12"x12"x6"	EURDBEX - 5100ESCHI21206
②	1	MAIN DISCONNECT 30A	ABB - DT40A
③	1	FUSE HOLDER	30313 GOULD
④	3	FUSES FU1	ATDR-__
⑤	1	MAG. CONTACTOR __A, 3P.	SPRECHER + SCHUH CA7-__-10-120
⑥	1	OVERLOAD RELAY	SPRECHER + SCHUH CT7N-23-__
⑦	1	FUSE HOLDER	30312 GOULD
⑧	2	FUSES FU2	ATQR-1/4
⑨	1	___/120 TRANSFORMER 50VA	EXACTA EXA50-__
⑩	1	RELAY 2 P./BASE	DMRON MY2AC24 / PYF08A-E
⑪	2	THREE POSITIONS SELECTOR	TECNIK - 2PSS220-3P - 22mm
⑫	3	PILOT LIGHTS	TECNIK - 3PLBR_L-120V - 22mm
⑬	1	AUDIBLE ALARM	TDA - DBJY-2
⑭	2	FUSE HOLDER	BUSSMANN - S8202-01
⑮	2	CONTROL FUSE	BUSSMANN - MDL-1
⑯	8	TERMINAL BLOCK	ENTRELEC 11511811

SEQUENCE DESCRIPTION

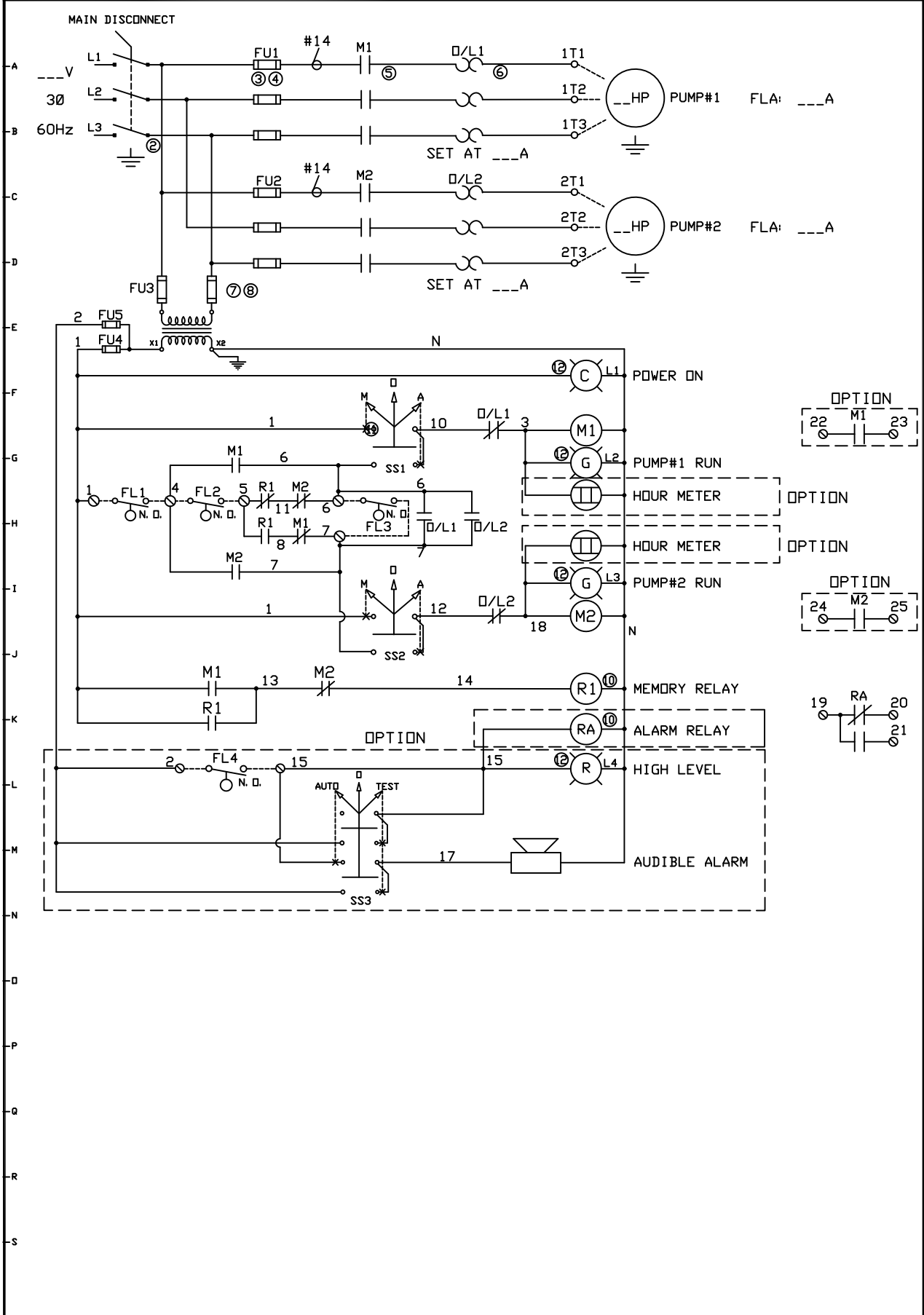
WHEN PUMP SELECTOR SWITCH SS1 IS IN 'MAN' POSITION, THE PUMP WILL START INSTANTLY, ONLY OVERLOAD PROTECTION IS ACTIVE. WHEN PUMP SELECTOR SWITCH IS IN 'AUTO' POSITION, STOP-START IS CONTROLLED BY FLOATS.

WHEN LEVEL RISES IN THE TANK, FLOATS WILL BE ACTIVATED IN SEQUENCE. FL-1 IS THE STOP FLOAT FOR ALL PUMPS, FL-2 IS THE START PUMP. WHEN LEVEL RISES AND REACHES FL-2, THE PUMP WILL START. WHEN LEVEL DECREASE BELOW FL-1 THE PUMP WILL STOP. IF THE PUMP IS IN OVERLOAD, IT WILL BE STOPPED.

IN OPTION, THE HIGH LEVEL ALARM BLOCK. IF LEVEL REACHES FL-3, THE HIGH LEVEL ALARM WILL BE TRIGGERED (PILOT LIGHT, AUDIBLE ALARM WITH SILENCE AND TEST SELECTOR SWITCH, AND DRY CONTACT).



REMARKS:			CUSTOMER:			REV.	DESCRIPTION
						02	ADD FUSE ON HIGH LEVEL CIRCUIT
						TITLE:	
						SIMPLEX SEWAGE/CONDENSATE	
1885 boul. Lionel-Bertrand Boisbriand-QUEBEC-CANADA J7H 1N8 PH. (514) 332-2111 FAX (514) 332-0758 WEBSITE www.carostan.com EMAIL carostan@qc.aira.com			PROJECT:			DRAWING #:	
DRAWN BY:			CONTROLLED BY:			DATE:	
S. DeMONTIGNY						21-07-2020	
						S. D. 8532-A	
						PAGE 2 OF 2	
						OPT. : 00	

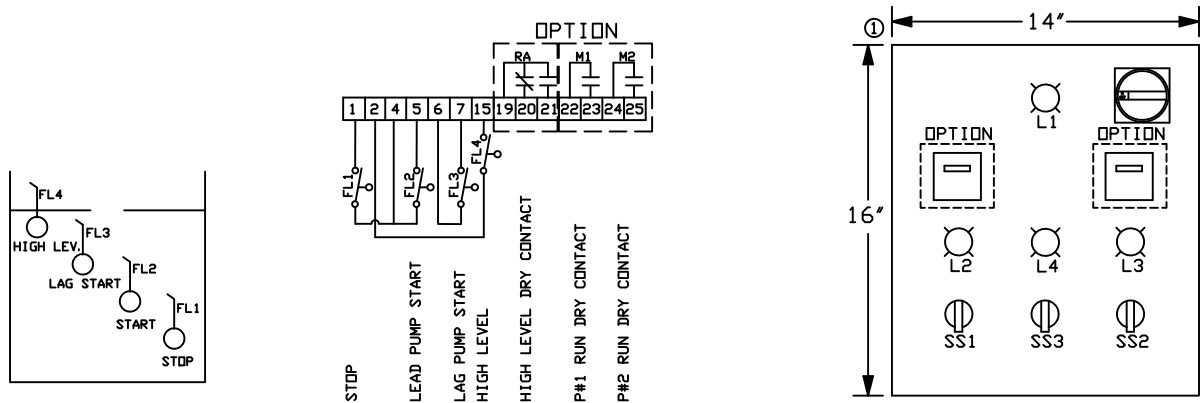


1	2	3	4	5	6	7	8	9	10	11	12	13	14
REMARKS:					CUSTOMER:					REV. DESCRIPTION			
										01 ADD FUSE ON HIGH LEVEL CIRCUIT			
										TITLE: DUPLEX SEWAGE			
1885 boul. Lionel-Bertrand BOISBRIAND-QUEBEC-CANADA J7N 1N8					PH. (514) 332-2111 FAX (514) 332-0758 WEBSITE www.carostan.com EMAIL info@carostan.ca					PROJECT:			
DRAWN BY: S. DeMONTIGNY					CONTROLLED BY:					DATE: 29-03-2016			
DRAWING #: S. D. 8507-B										OPT.:		00	
PAGE 1 OF 2													

ITEM	QTY	DESCRIPTION	PART NUMBER
①	1	EEMAC 1 16"x14"x8'	EUROBEX - 5412ESCH161408
②	1	MAIN DISCONNECT 30A	ABB - DT40F3
③	2	FUSE HOLDER	30313 GOULD
④	6	FUSES FU1, FU2	ATDR-__
⑤	2	MAG. CONTACTOR 9A, 3P.	SPRECHER + SCHUH CA7-__-10-120
⑥	2	OVERLOAD RELAY	SPRECHER + SCHUH CT7N-23-__
⑦	1	FUSE HOLDER	30312 GOULD
⑧	2	FUSES FU3	ATQR-1/4
⑨	1	___/120 TRANSFORMER 50VA	EXACTA EXA50-__
⑩	2	RELAY 2 P./BASE	OMRON MY2AC24 / PYF08A-E
⑪	3	THREE POSITIONS SELECTOR	TECNIK - 2PSS220-3P - 22mm
⑫	4	PILOT LIGHTS	TECNIK - 3PLBR_L-120V - 22mm
⑬	8	TERMINAL BLOCK	ENTRELEC 11511811

SEQUENCE DESCRIPTION

WHEN PUMPS SELECTOR SWITCHES SS1 OR SS2 ARE IN 'MAN' POSITION, PUMPS WILL START INSTANTLY, ONLY OVERLOAD PROTECTION IS ACTIVE. WHEN PUMPS SELECTOR SWITCHES ARE IN 'AUTO' POSITION, STOP-START IS CONTROLLED BY FLOATS. WHEN LEVEL RISES IN THE TANK, FLOATS WILL BE ACTIVATED IN SEQUENCE. FL-1 IS THE STOP FLOAT FOR ALL PUMPS, FL-2 IS THE START LEAD PUMP. WHEN LEVEL RISES AND REACHES FL-2, THE LEAD PUMP WILL START. WHEN LEVEL DECREASE BELOW FL-1 THE PUMP WILL STOP. ON THE NEXT LEAD PUMP DEMAND, THE OTHER PUMP WILL START. ALTERNATION HAPPENS AT EVERY NEW LEAD DEMAND. IF WATER REACHES FL-3, THE STAND-BY PUMP WILL START. BOTH PUMPS WILL STOP WHEN LEVEL DECREASE BELOW FL-1. IF A PUMP IS IN OVERLOAD, IT WILL BE STOPPED AND DEMAND TRANSFER TO THE OTHER PUMP. IN OPTION, THE HIGH LEVEL ALARM BLOCK. IF LEVEL REACHES FL-4, THE HIGH LEVEL ALARM WILL BE TRIGGERED (PILOT LIGHT, AUDIBLE ALARM WITH SILENCE AND TEST SELECTOR SWITCH, AND DRY CONTACT).



REMARKS:

CUSTOMER:

REV.

DESCRIPTION

01

ADD FUSE ON HIGH LEVEL CIRCUIT



1885 boul. Lionel-Bertrand
BOISBRIAND-QUEBEC-CANADA
J7N 1N8

PH. (514) 332-2111
FAX (514) 332-0758
WEBSITE www.carostan.com
EMAIL info@carostan.ca



TITLE:

DUPLEX SEWAGE

PROJECT:

DRAWING #:

S. D. 8507-B

DPT. 1

00

DRAWN BY:
S. DeMONTIGNY

CONTROLLED BY:

DATE:

29-03-2016

PAGE 2 OF 2