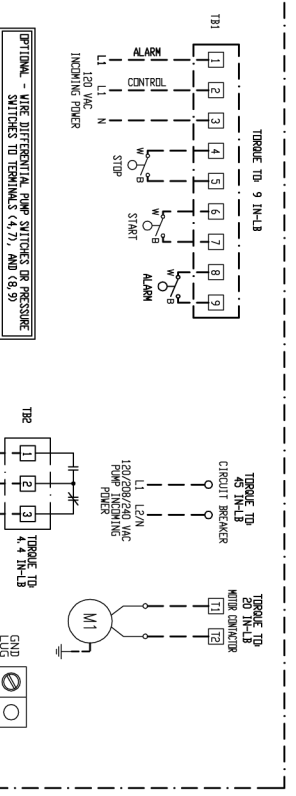
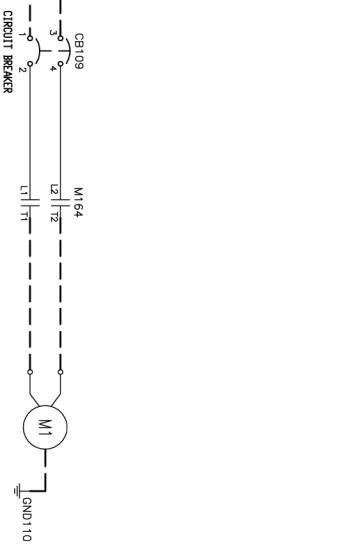


PIPE INDOOR POWER



OVERLOAD PROTECTION AND MAIN DISCONNECT PROVIDED BY OTHERS AND MUST BE SIZED ACCORDING TO PUMP/MOTOR MANUFACTURING SPECIFICATIONS.

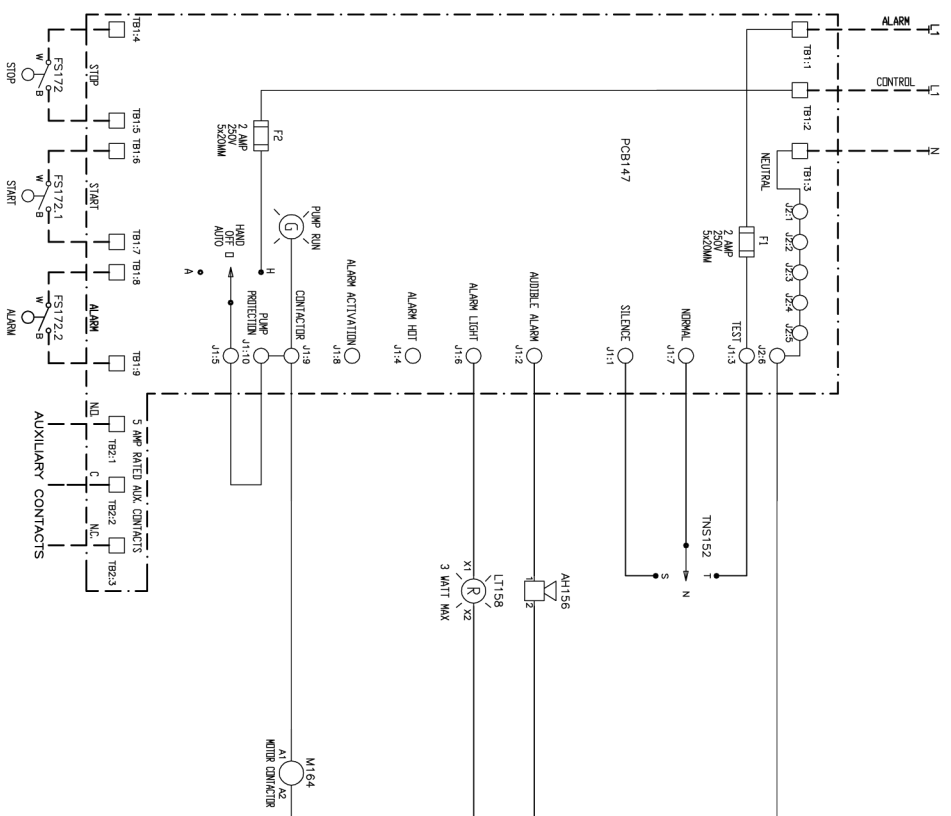
THE USE OF SEPARATE POWER SOURCES FOR PUMP AND ALARM ARE RECOMMENDED.

TEMPERATURE RATING OF FIELD INSTALLED CONDUCTORS MUST BE AT LEAST 140 DEG. F. (60 DEG. C.). TERMINAL STRIPS AND GROUND LUG USE COPPER CONDUCTORS ONLY.
CONNECT GROUND LUG IN PANEL TO A SECURE EARTH GROUND
DASHED LINES REPRESENT FIELD WIRING

FIELD WIRING SECTION

- 100
- 101
- 102
- 103
- 104
- 105
- 106
- 107
- 108
- 109
- 110
- 111
- 112
- 113
- 114
- 115
- 116
- 117
- 118
- 119
- 120
- 121
- 122
- 123
- 124
- 125
- 126
- 127
- 128
- 129
- 130
- 131
- 132
- 133
- 134
- 135
- 136
- 137
- 138
- 139
- 140

- 141
- 142
- 143
- 144
- 145
- 146
- 147
- 148
- 149
- 150
- 151
- 152
- 153
- 154
- 155
- 156
- 157
- 158
- 159
- 160
- 161
- 162
- 163
- 164
- 165
- 166
- 167
- 168
- 169
- 170
- 171
- 172
- 173
- 174
- 175
- 176
- 177
- 178
- 179
- 180
- 181



ACTUAL MODEL NUMBER ORDERED

REV	DATE	BY	CHKD BY	DATE	REVISION
1	06/06/01	GDV	RMS		
2	0002360	1/03	GDV	RMS	
3	0001714	5/03	GDV	K.L.C.	
4	0001105	10/01	GDV		
5	0001005	10/01	GDV		

REV	DATE	BY	CHKD BY	DATE	REVISION
1	06/06/01	GDV	RMS		
2	0002360	1/03	GDV	RMS	
3	0001714	5/03	GDV	K.L.C.	
4	0001105	10/01	GDV		
5	0001005	10/01	GDV		

REV	DATE	BY	CHKD BY	DATE	REVISION
1	06/06/01	GDV	RMS		
2	0002360	1/03	GDV	RMS	
3	0001714	5/03	GDV	K.L.C.	
4	0001105	10/01	GDV		
5	0001005	10/01	GDV		

REV	DATE	BY	CHKD BY	DATE	REVISION
1	06/06/01	GDV	RMS		
2	0002360	1/03	GDV	RMS	
3	0001714	5/03	GDV	K.L.C.	
4	0001105	10/01	GDV		
5	0001005	10/01	GDV		

1121101.121401X184

REV	DATE	BY	CHKD BY	DATE	REVISION
1	06/06/01	GDV	RMS		
2	0002360	1/03	GDV	RMS	
3	0001714	5/03	GDV	K.L.C.	
4	0001105	10/01	GDV		
5	0001005	10/01	GDV		

NOTICE: THIS DRAWING CONTAINS PROTECTION INFORMATION AND IT SHALL NOT BE USED OR REPRODUCED OR ITS CONTENTS DISCLOSED IN ANY MANNER WITHOUT THE WRITTEN CONSENT OF THE MANUFACTURER.

PROJECT NO.	DWG. NO.	DATE	REV.
1011284	N/A		1