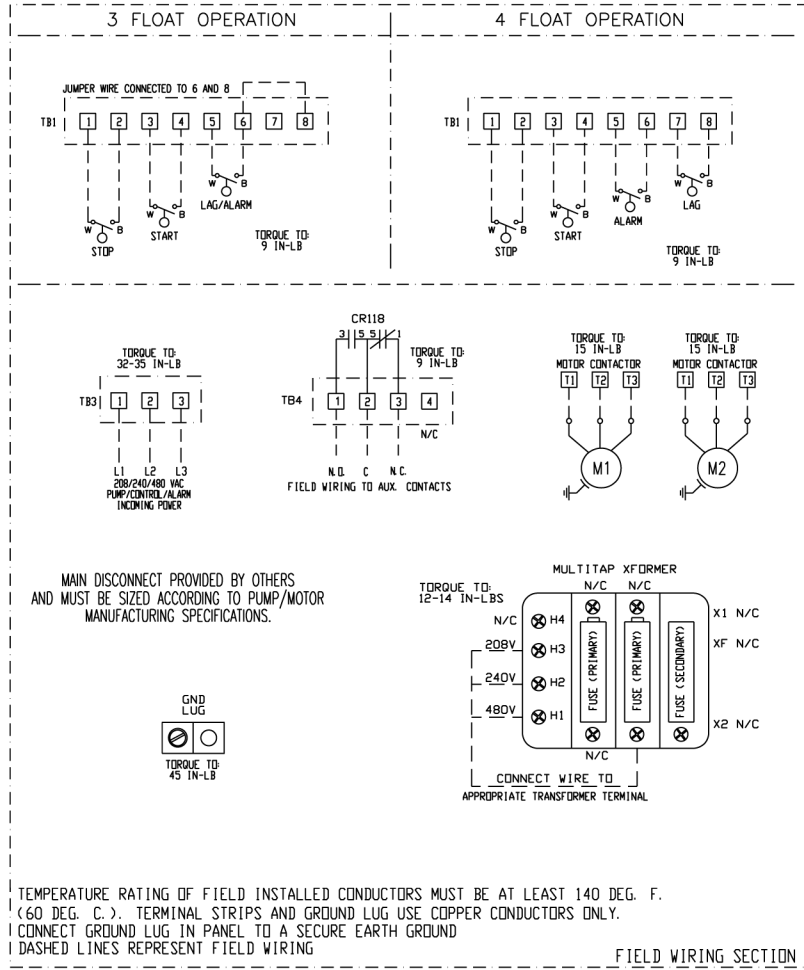


200
201
202
203
204
205
206
207
208
209
210
211
212
213
214
215
216
217
218
219
220
221
222
223
224
225
226
227
228
229
230
231
232
233
234
235
236
237
238
239
240



241
242
243
244
245
246
247
248
249
250
251
252
253
254
255
256
257
258
259
260
261
262
263
264
265
266
267
268
269
270
271
272
273
274
275
276
277
278
279
280
281

NOTICE: THIS DRAWING CONTAINS PROPRIETARY INFORMATION AND IT SHALL NOT BE USED OR REPRODUCED OR ITS CONTENTS DISCLOSED IN WHOLE OR IN PART, WITHOUT PRIOR WRITTEN CONSENT.										
DRWN BY	DATE	CHKD BY	DATE	APPD BY	DATE	PROJECT NO.	QUOTE NO.	REV.		
ACB	7/10/12	ACB	7/10/12	CM	7/10/12	P14745	N/A	A		
DEN NAME	DEN P/N	PAGE	SCALE	ENG SIZE	TITLE					
FLO FAB	N/A	2 of 2	NONE	D	IFS61W401X68AC					