

PRESSURE SENSORS

High Volume OEM Item (Type NSK)

Type NSK & XSK



GENERAL DESCRIPTION

- High reliability and accuracy
- Double diaphragm structure
- Diffusion silicone chip pressure sensor

COMMON SPECIFICATIONS

- Fluid temperature range: -30 to 120°C (Type NSK)
-20 to 70°C (Type XSK)
- Ambient temperature range: -30 to 100°C (Type NSK)
-30 to 80°C (Type NSK-BD)
-20 to 70°C (Type XSK)



Type NSK-BC

Type NSK-BE

Type XSK

CE mark applicable (available upon request)

UL recognized (available upon request)

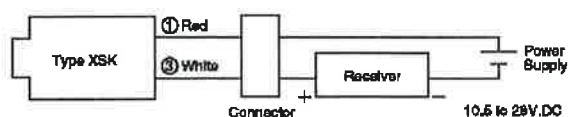
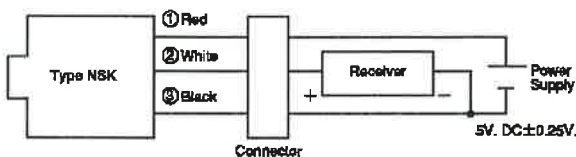
TYPE NUMBER SELECTION (SPECIFICATIONS)

Unit: MPa [bar]

Catalog No.	Pressure Range	Supply Voltage	Output	* Accuracy	Current Consumption	Load Resistance	Airtight Pressure	Wt. (kg)
NSK-BC010-103	0 to 1 {0 to 10}	5V. DC ± 0.25V	0.5 to 4.5V. DC	±2.5% F.S.	Max. 10mA	Min. 10 KΩ	3.85 {38.5}	0.04
NSK-BC020-103	0 to 2 {0 to 20}							
NSK-BC030-103	0 to 3 {0 to 30}							
NSK-BC035-103	0 to 3.5 {0 to 35}							
NSK-BC050-103	0 to 5 {0 to 50}							
NSK-BE010-103	0 to 1 {0 to 10}	5V. DC ± 0.25V	0.5 to 4.5V. DC	±2.5% F.S.	Max. 10mA	Min. 10 KΩ	3.85 {38.5}	0.04
NSK-BE020-103	0 to 2 {0 to 20}							
NSK-BE030-103	0 to 3 {0 to 30}							
NSK-BE035-103	0 to 3.5 {0 to 35}							
NSK-BE050-103	0 to 5 {0 to 50}							
NSK-BD010D-103	0 to 1 {0 to 10}	5V. DC ± 0.25V	0.5 to 4.5V. DC	±2.5% F.S.	Max. 10mA	Min. 10 KΩ	3.85 {38.5}	0.07
NSK-BD020D-103	0 to 2 {0 to 20}							
NSK-BD030D-103	0 to 3 {0 to 30}							
NSK-BD035D-103	0 to 3.5 {0 to 35}							
NSK-BD050D-103	0 to 5 {0 to 50}							
XSK-AC10I-104	-0.05 to 1 {-0.5 to 10}	10.5 to 28V. DC	4 to 20mA	±3% F.S.	—	Max. 100Ω at 12V. DC Max. 500Ω at 24V. DC	3.85 {38.5}	0.09
XSK-AC20I-104	0 to 2 {0 to 20}							
XSK-AC30I-104	0 to 3 {0 to 30}							
XSK-AC35I-104	0 to 3.5 {0 to 35}							
XSK-AC50I-104	0 to 5 {0 to 50}							

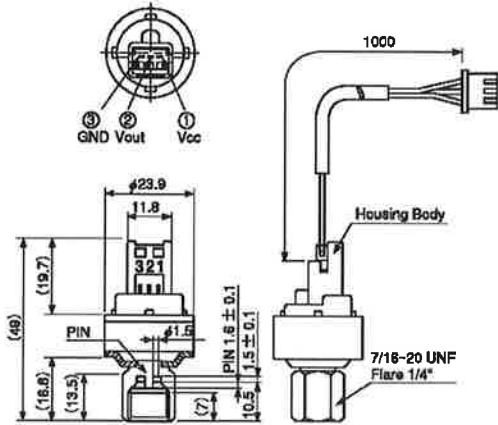
* Included non lineality hysteresis, and temperature drift
• Enclosure IP68

WIRING

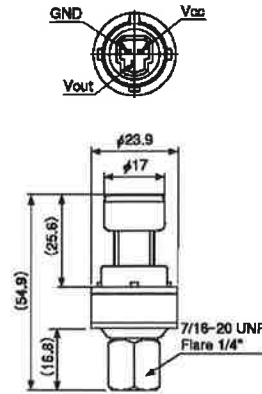


DIMENSIONS

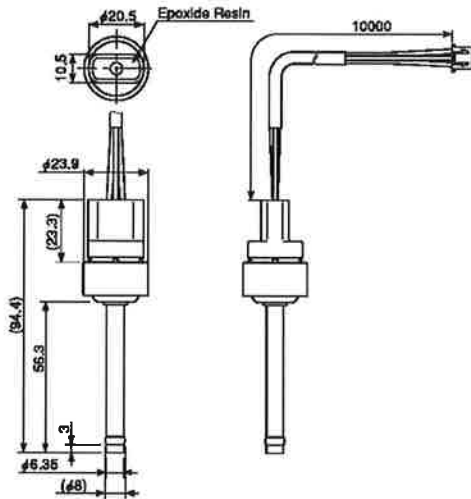
Type NSK-BC (Molex connector)



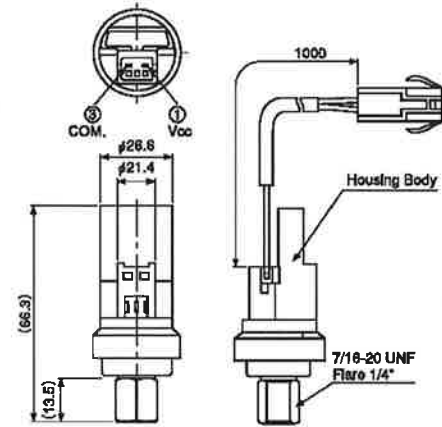
Type NSK-BE (Packard connector)



Type NSK-BD (Lead wire direct Connector)



Type XSK (Molex connector)



Unit: mm

ACCESSORY

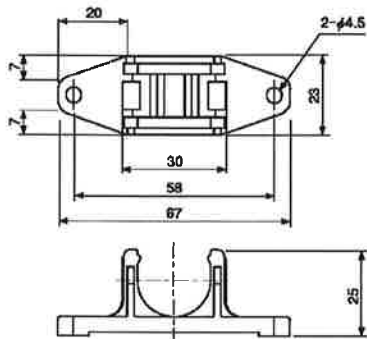
- Lead wire with connector is supplied as standard accessory expect for NSK-BE type.

OPTIONAL PARTS

Bracket

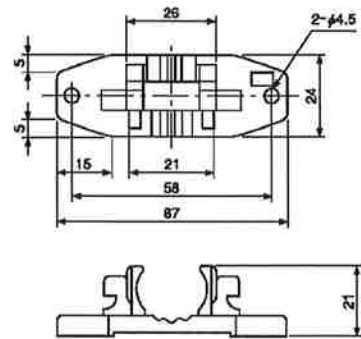
- NSK

Type No. NSK-PP02



- XSK

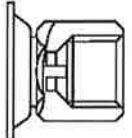
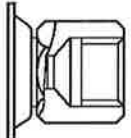
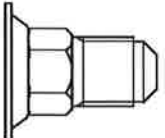
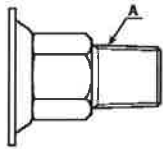
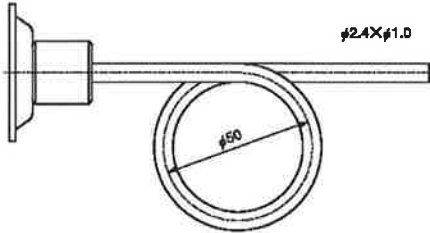
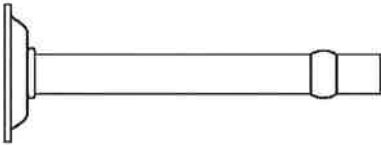
Type No. YSK-PP02



Unit: mm

PRESSURE CONNECTIONS

- **Connection Material**
Stainless steel pressure connection is available upon request. (R, NPT only)
- **Connection Style**
Standard connection style is 7/16–20UNF Female Flare with schrader depressor.
The following connection styles are available upon request.

7/16–20UNF Female Flare 1/4" with schrader depressor	7/16–20UNF Female Flare 1/4"	7/16–20UNF Male Flare 1/4"										
												
R (NPT)		Capillary Tube (Type NSK)										
 <table border="1" data-bbox="548 678 776 814"> <thead> <tr> <th>A</th> <th>Type</th> </tr> </thead> <tbody> <tr> <td>1/8"</td> <td>NSK</td> </tr> <tr> <td></td> <td>XSK</td> </tr> <tr> <td>1/4"</td> <td>XSK</td> </tr> <tr> <td>3/8"</td> <td>XSK</td> </tr> </tbody> </table>	A	Type	1/8"	NSK		XSK	1/4"	XSK	3/8"	XSK		
A	Type											
1/8"	NSK											
	XSK											
1/4"	XSK											
3/8"	XSK											
1/4" Copper Solder (Type NSK-BD)												
												



TORONTO, ON
TEL: (905) 737-2113
FAX: (905) 737-7319

www.ecotherm.ca

MONTREAL, QC
TEL: (514) 685-5113
FAX: (514) 685-5119

1-866-HVACMAX (482-2629)

VERNON, BC
TEL: (250) 549-9162
FAX: (250) 549-9182

sales@ecotherm.ca