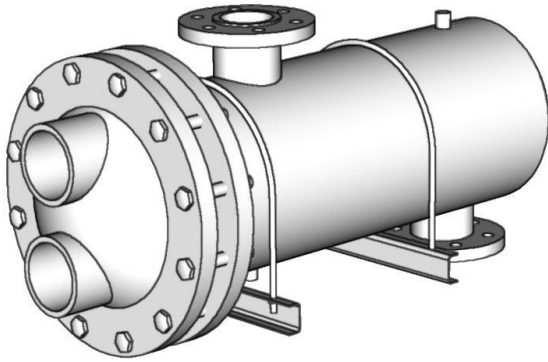


W04204X

U-TUBE HEAT EXCHANGERS

2 Pass Water To Liquid – 4" Shell Diameter

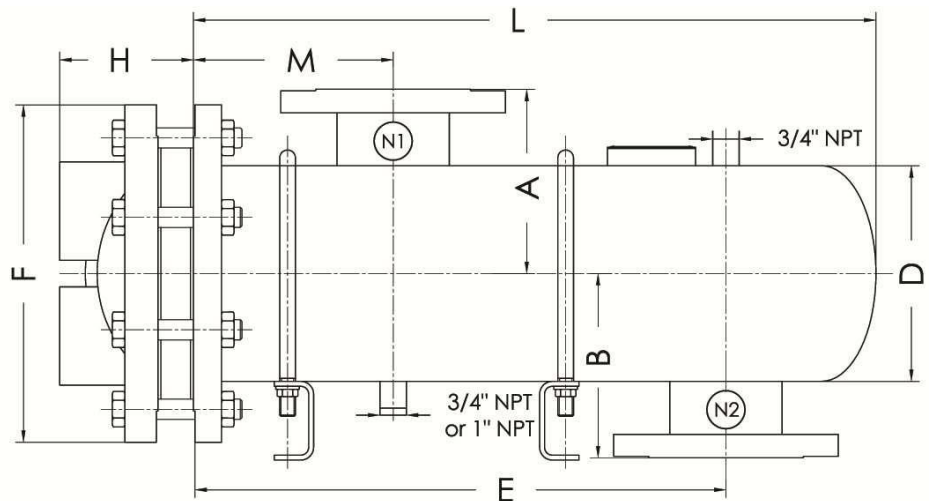
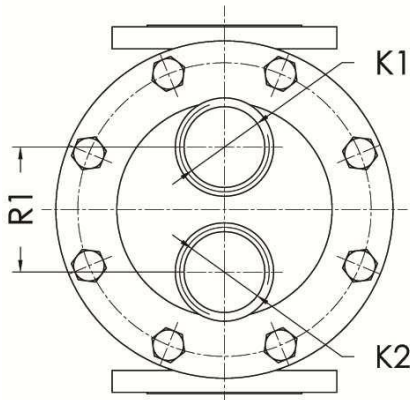
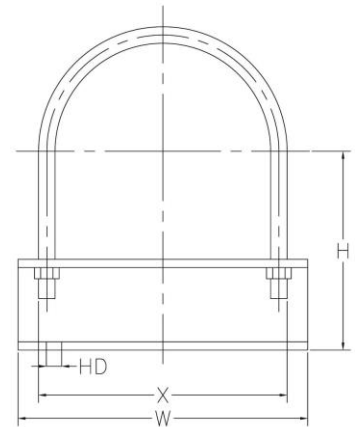


Saddle Dimensions

Unit Size				
Shell (Nom.)	H	W	X	HD
4"	5 1/4	6 15/16	5 1/2	1/2

Port Designations

N1	N2	K1	K2
Inlet	Outlet	Outlet	Inlet
Hot Water	Hot Water	Cold Water	Cold Water



Dimensions are in Inches

Model	R1	K1/K2 (FNPT)	H	D	F	M	E	B	A	L	N1	N2	HTA (sqft)	Est. Ship. Weight(Lbs)
W042041	2 1/2	1 1/2	2 7/8	4 1/2	9	5	19 1/2	3 3/4	3 3/4	24 1/2	1 1/2"NPT	1 1/2"NPT	4.7	105
W042042	2 1/2	1 1/2	2 7/8	4 1/2	9	5	31 1/2	3 3/4	3 3/4	36 1/2	1 1/2"NPT	1 1/2"NPT	6.9	124
W042043	2 1/2	1 1/2	2 7/8	4 1/2	9	5	43 1/2	3 3/4	3 3/4	48 1/2	1 1/2"NPT	1 1/2"NPT	9.1	149
W042044	2 1/2	1 1/2	2 7/8	4 1/2	9	5	55 1/2	3 3/4	3 3/4	60 1/2	1 1/2"NPT	1 1/2"NPT	11.3	174
W042045	2 1/2	1 1/2	2 7/8	4 1/2	9	5	67 1/2	3 3/4	3 3/4	72 1/2	1 1/2"NPT	1 1/2"NPT	13.6	197
W042046	2 1/2	1 1/2	2 7/8	4 1/2	9	5	79 1/2	3 3/4	3 3/4	84 1/2	1 1/2"NPT	1 1/2"NPT	15.8	226
W042047	2 1/2	1 1/2	2 7/8	4 1/2	9	5	91 1/2	3 3/4	3 3/4	96 1/2	1 1/2"NPT	1 1/2"NPT	18	251
W042048	2 1/2	1 1/2	2 7/8	4 1/2	9	5	103 1/2	3 3/4	3 3/4	108 1/2	1 1/2"NPT	1 1/2"NPT	20.3	277
W042049	2 1/2	1 1/2	2 7/8	4 1/2	9	5	115 1/2	3 3/4	3 3/4	120 1/2	1 1/2"NPT	1 1/2"NPT	22.5	302

Materials Of Construction

	Standard	Optional
Shell	Steel	Stainless Steel (304/316)
Tubes	Stainless Steel (304)	Copper, SS 316, 90/10 CuNi
Tubesheet	Steel	Stainless Steel (304/316)
Connections	Steel	Stainless Steel (304/316)
Head	Cast Iron/Steel	Stainless Steel (304/316)
Gaskets	Non-asbestos, pressed fiber	

Design Parameters

	Standard		Optional	
	Design Pressure (PSI)	Design Temperature (F)	Design Pressure (PSI)	Design Temperature (F)
Shell	150	375	300	421
Tubes	150	375	400	448

- Not certified drawings. Dimensions subject to change without notice.