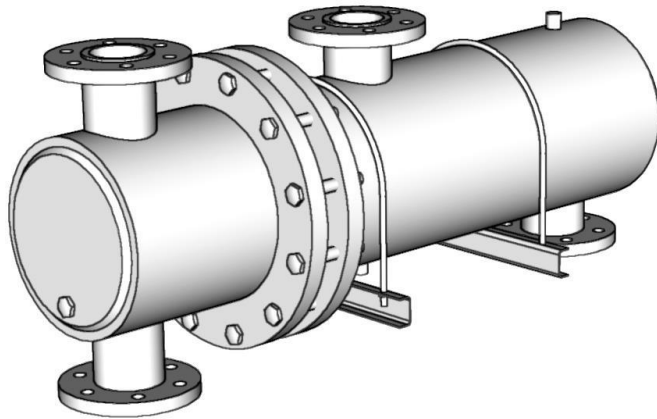


# W14214X

# U-TUBE HEAT EXCHANGERS

## 2 Pass Water To Liquid -14" Shell Diameter

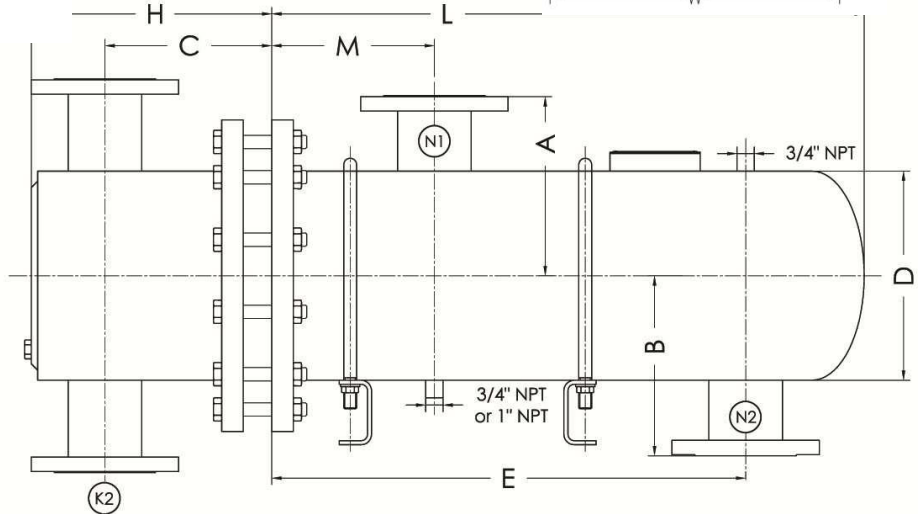
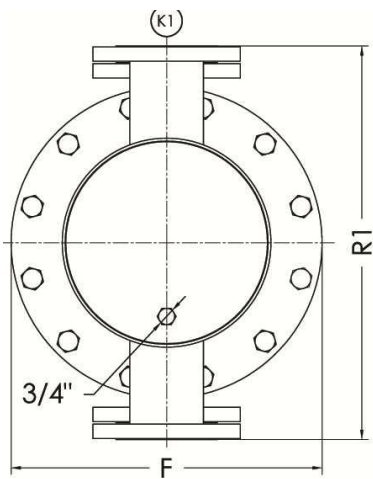
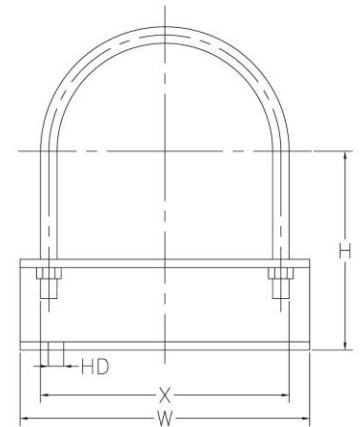


### Saddle Dimensions

Unit Size				
Shell (Nom.)	H	W	X	HD
14"	10	17	12	3/4"

### Port Designations

N1	N2	K1	K2
Inlet	Outlet	Outlet	Inlet
Hot Water	Hot Water	Cold Water	Cold Water



Dimensions are in Inches

Model	R1	K1/K2	C	H	D	F	M	E	B	A	L	N1	N2	HTA (sqft)	Est. Ship. Weight(Lbs)
W142141	26	6" Flange	11 5/8	16 5/8	14	21	10	29	12	12	37 1/4	6" Flange	6" Flange	75.7	768
W142142	26	6" Flange	11 5/8	16 5/8	14	21	10	40 1/2	12	12	49 1/4	6" Flange	6" Flange	102.4	864
W142143	26	6" Flange	11 5/8	16 5/8	14	21	10	52 1/2	12	12	61 1/4	6" Flange	6" Flange	129.1	956
W142144	26	6" Flange	11 5/8	16 5/8	14	21	10	64 1/2	12	12	73 1/4	8" Flange	8" Flange	155.8	1047
W142145	26	6" Flange	11 5/8	16 5/8	14	21	10	76	12	12	85 1/4	8" Flange	8" Flange	182.5	1137
W142146	26	6" Flange	11 5/8	16 5/8	14	21	10	88	12	12	97 1/4	8" Flange	8" Flange	209.2	1229
W142147	26	6" Flange	11 5/8	16 5/8	14	21	10	100	12	12	109 1/4	10" Flange	10" Flange	236	1320
W142148	26	6" Flange	11 5/8	16 5/8	14	21	10	112	12	12	121 1/4	10" Flange	10" Flange	262.7	1412

### Materials Of Construction

	Standard	Optional
Shell	Steel	Stainless Steel (304/316)
Tubes	Stainless Steel (304)	Copper, SS 316, 90/10 CuNi
Tubesheet	Steel	Stainless Steel (304/316)
Connections	Steel	Stainless Steel (304/316)
Head	Cast Iron/Steel	Stainless Steel (304/316)
Gaskets	Non-asbestos, pressed fiber	

### Design Parameters

	Standard		Optional	
	Design Pressure (PSI)	Design Temperature (F)	Design Pressure (PSI)	Design Temperature (F)
Shell	150	375	300	421
Tubes	150	375	400	448

- Not certified drawings. Dimensions subject to change without notice.