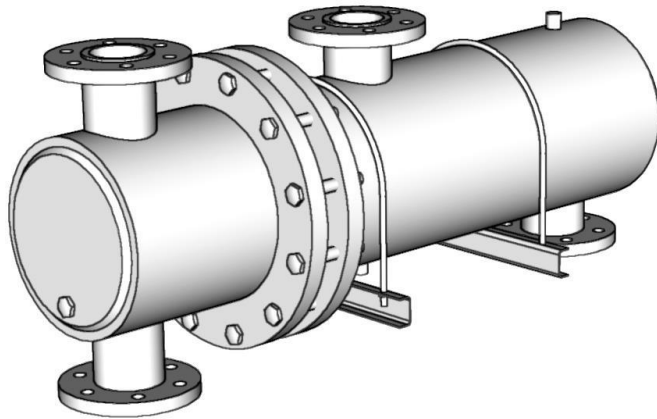


W20220X

U-TUBE HEAT EXCHANGERS

2 Pass Water To Liquid – 20” Shell Diameter

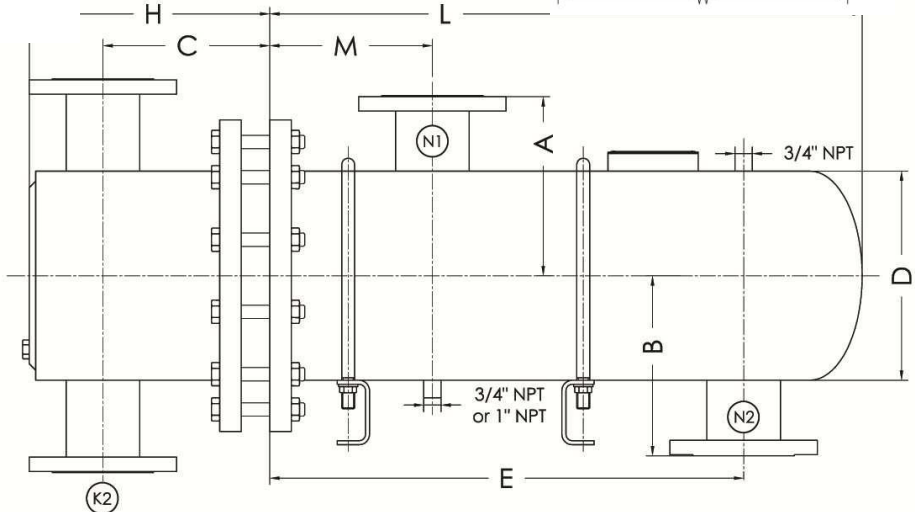
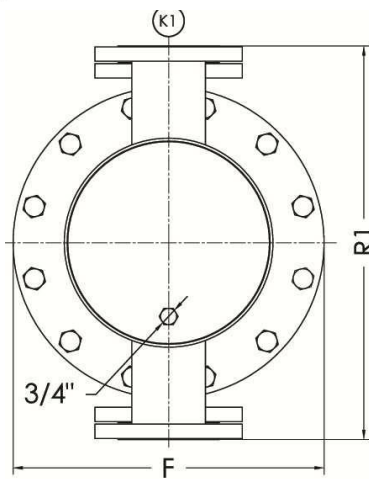
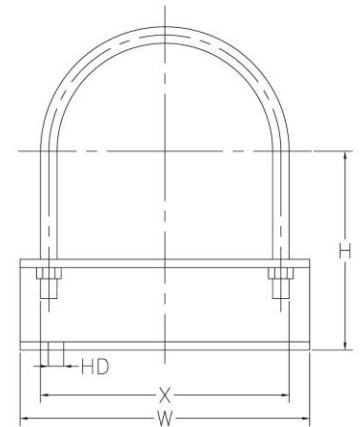


Saddle Dimensions

Unit Size				
Shell (Nom.)	H	W	X	HD
20"	14	23	14	3/4

Port Designations

N1	N2	K1	K2
Inlet	Outlet	Outlet	Inlet
Hot Water	Hot Water	Cold Water	Cold Water



Dimensions are in Inches

Model	R1	K1/K2	C	H	D	F	M	E	B	A	L	N1	N2	HTA (sqft)	Est. Ship. Weight(Lbs)
W202201	32 1/2	6" Flange	14 1/8	19 5/8	20	27 1/2	13	27 1/2	15	15	36 3/4	8" Flange	8" Flange	163.9	1426
W202202	32 1/2	6" Flange	14 1/8	19 5/8	20	27 1/2	13	39	15	15	48 3/4	8" Flange	8" Flange	223.6	1586
W202203	32 1/2	6" Flange	14 1/8	19 5/8	20	27 1/2	13	50 1/2	15	15	60 3/4	10" Flange	10" Flange	283.3	1747
W202204	32 1/2	6" Flange	14 1/8	19 5/8	20	27 1/2	13	62 1/2	15	15	72 3/4	10" Flange	10" Flange	343	1906
W202205	32 1/2	6" Flange	14 1/8	19 5/8	20	27 1/2	13	74 1/2	15	15	84 3/4	12" Flange	12" Flange	402.7	2067
W202206	32 1.2	6" Flange	14 1/8	19 5/8	20	27 1/2	13	86 1/2	15	15	96 3/4	12" Flange	12" Flange	462.4	2241
W202207	32 1/2	6" Flange	14 1/8	19 5/8	20	27 1/2	13	98 1/2	15	15	108 3/4	12" Flange	12" Flange	522.2	2402
W202208	32 1/2	6" Flange	14 1/8	19 5/8	20	27 1/2	13	110 1/2	17	17	120 3/4	14" Flange	14" Flange	581.9	2563

Materials Of Construction

	Standard	Optional
Shell	Steel	Stainless Steel (304/316)
Tubes	Stainless Steel (304)	Copper, SS 316, 90/10 CuNi
Tubesheet	Steel	Stainless Steel (304/316)
Connections	Steel	Stainless Steel (304/316)
Head	Cast Iron/Steel	Stainless Steel (304/316)
Gaskets	Non-asbestos, pressed fiber	

Design Parameters

	Standard		Optional	
	Design Pressure (PSI)	Design Temperature (F)	Design Pressure (PSI)	Design Temperature (F)
Shell	150	375	300	421
Tubes	150	375	400	448

- Not certified drawings. Dimensions subject to change without notice.