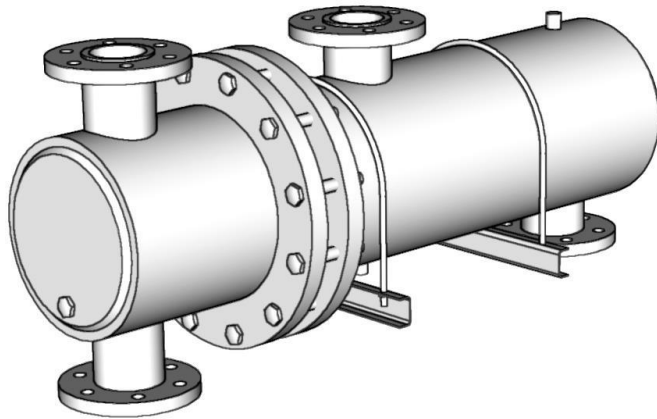


W24224X

U-TUBE HEAT EXCHANGERS

2 Pass Water To Liquid – 24” Shell Diameter

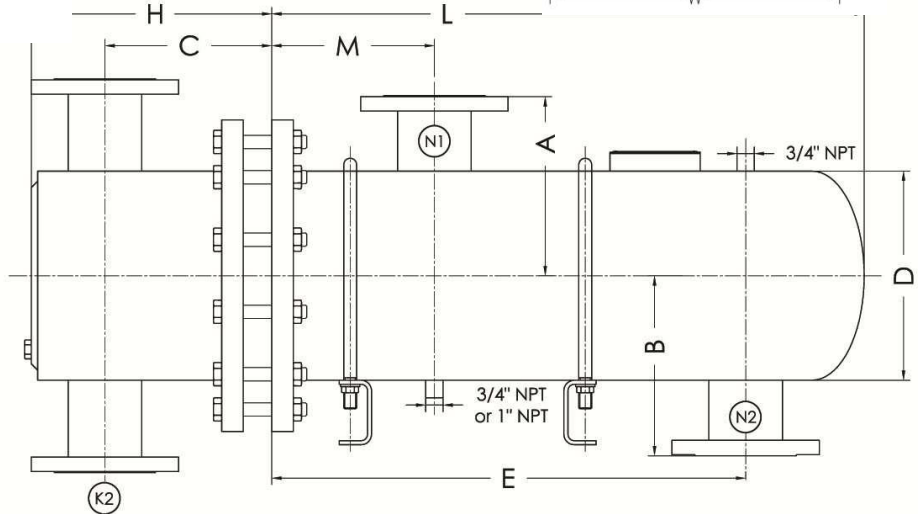
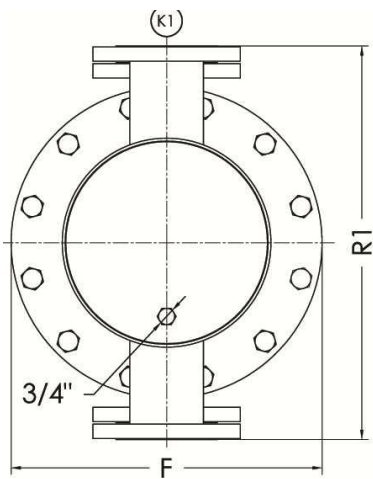
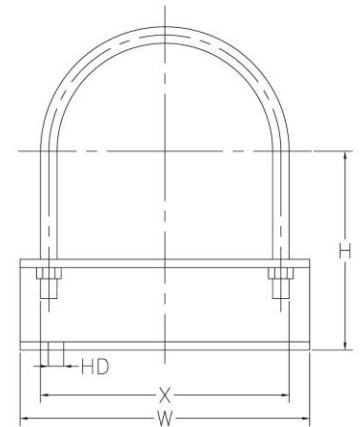


Saddle Dimensions

Unit Size				
Shell (Nom.)	H	W	X	HD
24"	18	27	19	7/8

Port Designations

N1	N2	K1	K2
Inlet	Outlet	Outlet	Inlet
Hot Water	Hot Water	Cold Water	Cold Water



Dimensions are in Inches

Model	R1	K1/K2	C	H	D	F	M	E	B	A	L	N1	N2	HTA (sqft)	Est. Ship. Weight(Lbs)
W242241	37 1/2	10" Flange	17 7/8	25 5/8	24	32	14	25	18	18	38	12" Flange	12" Flange	236	1910
W242242	37 1/2	10" Flange	17 7/8	25 5/8	24	32	14	37	18	18	50	12" Flange	12" Flange	324	2128
W242243	37 1/2	10" Flange	17 7/8	25 5/8	24	32	14	49	18	18	62	12" Flange	12" Flange	412	2346
W242244	37 1/2	10" Flange	17 7/8	25 5/8	24	32	14	61	18	18	74	12" Flange	12" Flange	500	2564
W242245	37 1/2	10" Flange	17 7/8	25 5/8	24	32	14	73	18	18	86	12" Flange	12" Flange	588	2782
W242246	37 1/2	10" Flange	17 7/8	25 5/8	24	32	14	85	18	18	98	12" Flange	12" Flange	676	2900
W242247	37 1/2	10" Flange	17 7/8	25 5/8	24	32	15	97	19	19	110	14" Flange	14" Flange	764	3218
W242248	37 1/2	10" Flange	17 7/8	25 5/8	24	32	15	109	19	19	122	14" Flange	14" Flange	852	3436

Materials Of Construction

	Standard	Optional
Shell	Steel	Stainless Steel (304/316)
Tubes	Stainless Steel (304)	Copper, SS 316, 90/10 CuNi
Tubesheet	Steel	Stainless Steel (304/316)
Connections	Steel	Stainless Steel (304/316)
Head	Cast Iron/Steel	Stainless Steel (304/316)
Gaskets	Non-asbestos, pressed fiber	

Design Parameters

	Standard		Optional	
	Design Pressure (PSI)	Design Temperature (F)	Design Pressure (PSI)	Design Temperature (F)
Shell	150	375	300	421
Tubes	150	375	400	448

- Not certified drawings. Dimensions subject to change without notice.