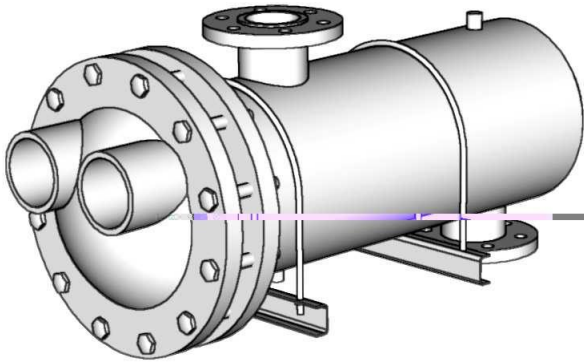


W06406X

U-TUBE HEAT EXCHANGERS

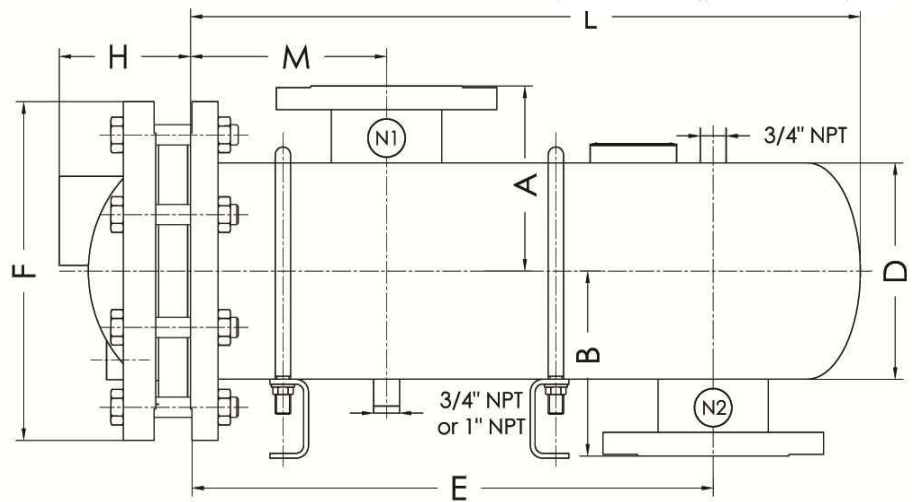
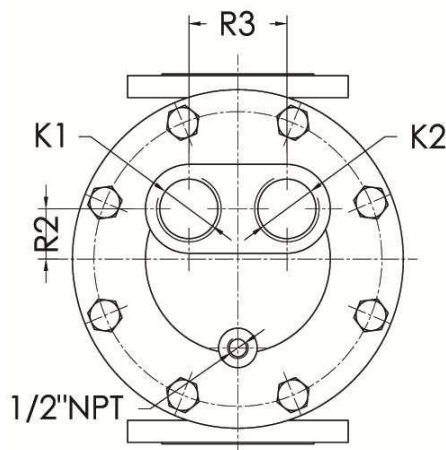
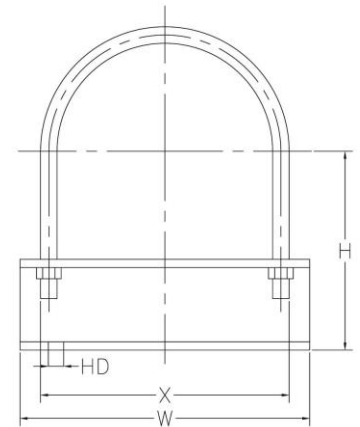
4 Pass Water To Liquid – 6" Shell Diameter



Saddle Dimensions

Unit Size				
Shell (Nom)	H	W	X	HD
6"	6 5/16	9 1/4	7 1/2	5/8

Port Designations			
N1	N2	K1	K2
Inlet	Outlet	Outlet	Inlet
Hot Water	Hot Water	Cold Water	Cold Water



Dimensions are in Inches

Model	R2	R3	K1/K2 (FNPT)	H	D	F	M	E	B	A	L	N1	N2	HTA (sqft)	Est. Ship. Weight(Lbs)
W064061	1 1/4	3 3/4	1 1/2	3 7/16	6 5/8	11	5	18 1/2	4 7/8	4 7/8	25	2 1/2"NPT	2 1/2"NPT	10.7	146
W064062	1 1/4	3 3/4	1 1/2	3 7/16	6 5/8	11	5	30 1/2	4 7/8	4 7/8	37	2 1/2"NPT	2 1/2"NPT	15.9	187
W064063	1 1/4	3 3/4	1 1/2	3 7/16	6 5/8	11	5	42 1/2	4 7/8	4 7/8	49	2 1/2"NPT	2 1/2"NPT	21.1	225
W064064	1 1/4	3 3/4	1 1/2	3 7/16	6 5/8	11	5	54 1/2	4 7/8	4 7/8	61	2 1/2"NPT	2 1/2"NPT	26.3	266
W064065	1 1/4	3 3/4	1 1/2	3 7/16	6 5/8	11	5	66 1/2	4 7/8	4 7/8	73	2 1/2"NPT	2 1/2"NPT	31.5	304
W064066	1 1/4	3 3/4	1 1/2	3 7/16	6 5/8	11	5	78 1/2	4 7/8	4 7/8	85	2 1/2"NPT	2 1/2"NPT	36.7	342
W064067	1 1/4	3 3/4	1 1/2	3 7/16	6 5/8	11	5	90 1/2	4 7/8	4 7/8	97	2 1/2"NPT	2 1/2"NPT	41.9	383
W064068	1 1/4	3 3/4	1 1/2	3 7/16	6 5/8	11	5	102 1/2	4 7/8	4 7/8	109	2 1/2"NPT	2 1/2"NPT	47.1	421
W064069	1 1/4	3 3/4	1 1/2	3 7/16	6 5/8	11	5	114 1/2	4 7/8	4 7/8	121	2 1/2"NPT	2 1/2"NPT	52.3	460

Materials Of Construction

	Standard	Optional
Shell	Steel	Stainless Steel (304/316)
Tubes	Stainless Steel (304)	Copper, SS 316, 90/10 CuNi
Tubesheet	Steel	Stainless Steel (304/316)
Connections	Steel	Stainless Steel (304/316)
Head	Cast Iron/Steel	Stainless Steel (304/316)
Gaskets	Non-asbestos, pressed fiber	

Design Parameters

	Standard		Optional	
	Design Pressure (PSI)	Design Temperature (F)	Design Pressure (PSI)	Design Temperature (F)
Shell	150	375	300	421
Tubes	150	375	400	448

- Not certified drawings. Dimensions subject to change without notice.