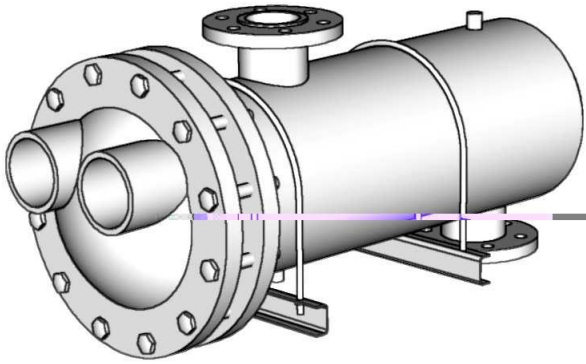


W10410X

U-TUBE HEAT EXCHANGERS

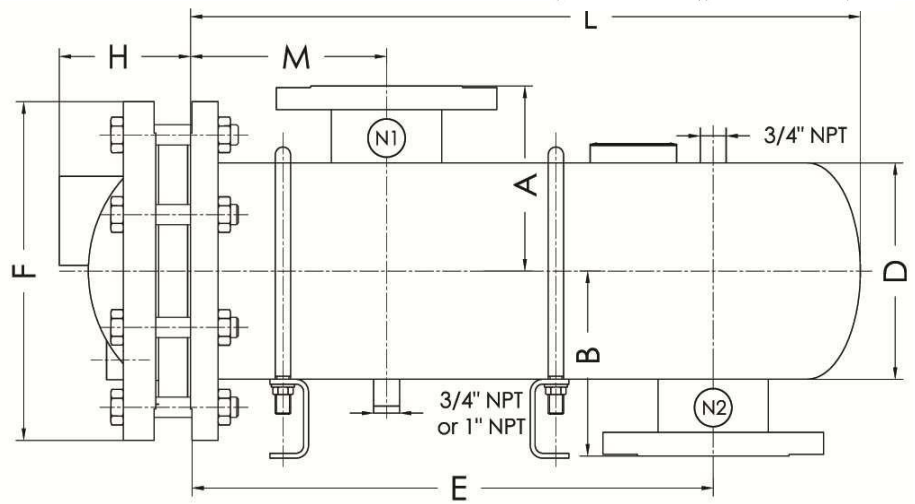
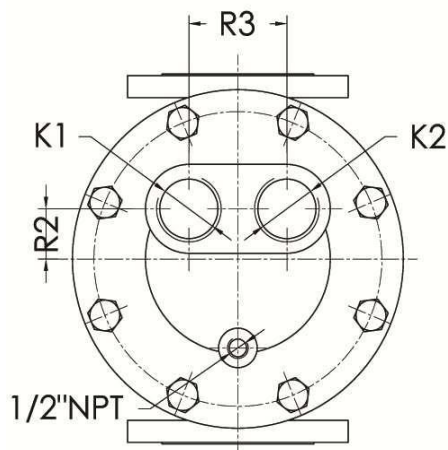
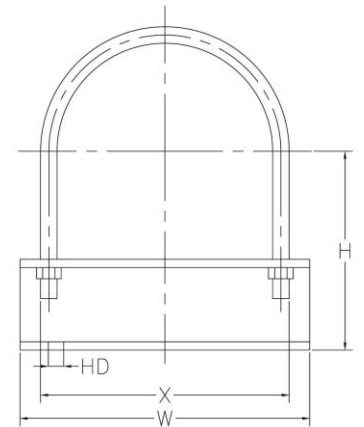
4 Pass Water To Liquid – 10" Shell Diameter



Saddle Dimensions

Unit Size				
Shell (Nom.)	H	W	X	HD
10"	8 3/8	13 5/8	10	3/4

Port Designations			
N1	N2	K1	K2
Inlet	Outlet	Outlet	Inlet
Hot Water	Hot Water	Cold Water	Cold Water



Dimensions are in Inches

Model	R2	R3	K1/K2 (FNPT)	H	D	F	M	E	B	A	L	N1	N2	HTA (sqft)	Est. Ship. Weight(Lbs)
W104101	2 1/4	5 1/2	3	4 7/8	10 3/4	16	8	17	8 1/2	8 1/2	24	4" Flange	4" Flange	23.7	317
W104102	2 1/4	5 1/2	3	4 7/8	10 3/4	16	8	29	8 1/2	8 1/2	36	4" Flange	4" Flange	37.7	409
W104103	2 1/4	5 1/2	3	4 7/8	10 3/4	16	8	41	8 1/2	8 1/2	48	4" Flange	4" Flange	51.5	496
W104104	2 1/4	5 1/2	3	4 7/8	10 3/4	16	8	53	8 1/2	8 1/2	60	4" Flange	4" Flange	65.5	585
W104105	2 1/4	5 1/2	3	4 7/8	10 3/4	16	8	65	8 1/2	8 1/2	72	4" Flange	4" Flange	79.4	672
W104106	2 1/4	5 1/2	3	4 7/8	10 3/4	16	8	77	8 1/2	8 1/2	84	4" Flange	4" Flange	93.3	759
W104107	2 1/4	5 1/2	3	4 7/8	10 3/4	16	8	88 1/2	8 1/2	8 1/2	96	4" Flange	4" Flange	107.2	849
W104108	2 1/4	5 1/2	3	4 7/8	10 3/4	16	8	100 1/2	8 1/2	8 1/2	108	4" Flange	4" Flange	121.1	935
W104109	2 1/4	5 1/2	3	4 7/8	10 3/4	16	8	112 1/2	8 1/2	8 1/2	120	4" Flange	4" Flange	135.1	1021

Materials Of Construction

	Standard	Optional
Shell	Steel	Stainless Steel (304/316)
Tubes	Stainless Steel (304)	Copper, SS 316, 90/10 CuNi
Tubesheet	Steel	Stainless Steel (304/316)
Connections	Steel	Stainless Steel (304/316)
Head	Cast Iron/Steel	Stainless Steel (304/316)
Gaskets	Non-asbestos, pressed fiber	

Design Parameters

	Standard		Optional	
	Design Pressure (PSI)	Design Temperature (F)	Design Pressure (PSI)	Design Temperature (F)
Shell	150	375	300	421
Tubes	150	375	400	448

- Not certified drawings. Dimensions subject to change without notice.