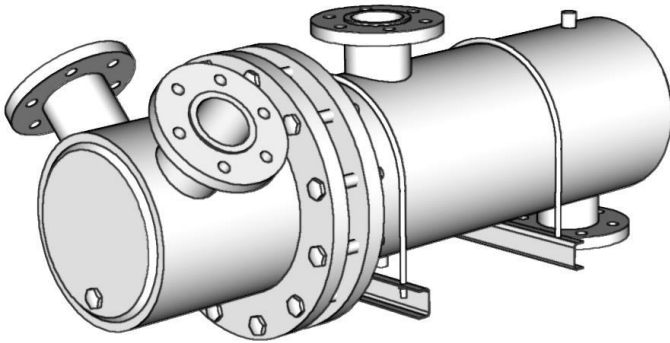


W20420X

U-TUBE HEAT EXCHANGERS

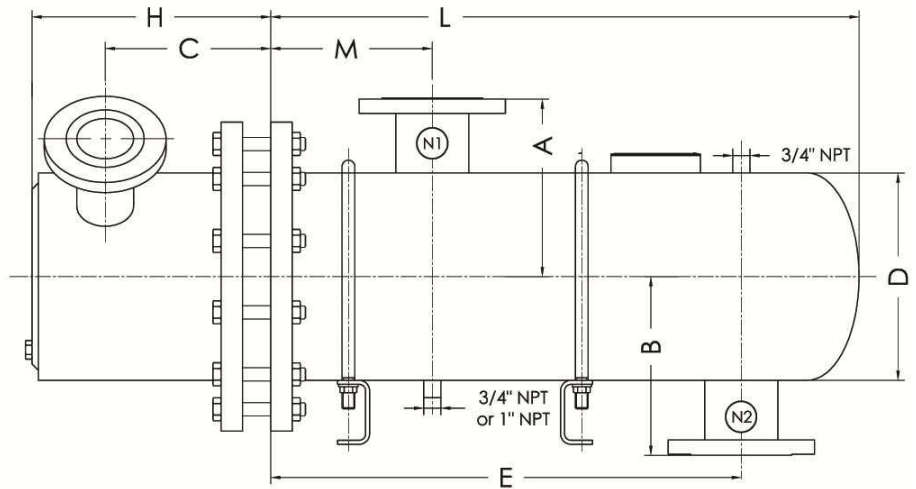
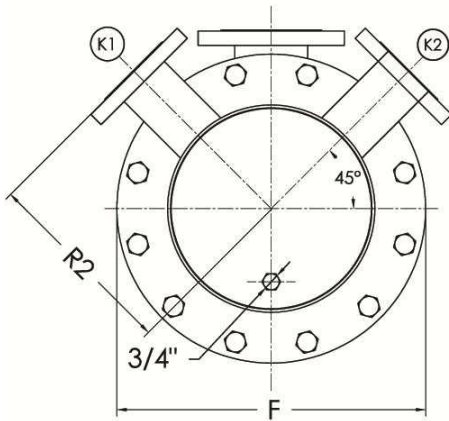
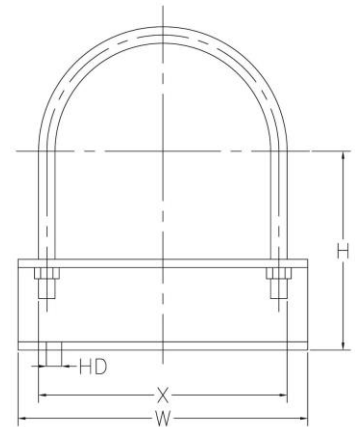
4 Pass Water To Liquid – 20" Shell Diameter



Saddle Dimensions

| Unit Size | | | | |
|--------------|----|----|----|-----|
| Shell (Nom.) | H | W | X | HD |
| 20" | 14 | 23 | 14 | 3/4 |

| Port Designations | | | |
|-------------------|-----------|------------|------------|
| N1 | N2 | K1 | K2 |
| Inlet | Outlet | Outlet | Inlet |
| Hot Water | Hot Water | Cold Water | Cold Water |



Dimensions are in Inches

| Model | R2 | K1/K2 | C | H | D | F | M | E | B | A | L | N1 | N2 | HTA (sqft) | Est. Ship. Weight(Lbs) |
|---------|--------|-----------|--------|--------|----|--------|----|---------|----|----|---------|------------|------------|------------|------------------------|
| W204201 | 16 1/4 | 4" Flange | 14 1/8 | 19 5/8 | 20 | 27 1/2 | 13 | 27 1/2 | 15 | 15 | 36 3/4 | 8" Flange | 8" Flange | 163.9 | 1426 |
| W204202 | 16 1/4 | 4" Flange | 14 1/8 | 19 5/8 | 20 | 27 1/2 | 13 | 39 | 15 | 15 | 48 3/4 | 8" Flange | 8" Flange | 223.6 | 1586 |
| W204203 | 16 1/4 | 4" Flange | 14 1/8 | 19 5/8 | 20 | 27 1/2 | 13 | 50 1/2 | 15 | 15 | 60 3/4 | 10" Flange | 10" Flange | 283.3 | 1747 |
| W204204 | 16 1/4 | 4" Flange | 14 1/8 | 19 5/8 | 20 | 27 1/2 | 13 | 62 1/2 | 15 | 15 | 72 3/4 | 10" Flange | 10" Flange | 343 | 1906 |
| W204205 | 16 1/4 | 4" Flange | 14 1/8 | 19 5/8 | 20 | 27 1/2 | 13 | 74 1/2 | 15 | 15 | 84 3/4 | 12" Flange | 12" Flange | 402.7 | 2067 |
| W204206 | 16 1/4 | 4" Flange | 14 1/8 | 19 5/8 | 20 | 27 1/2 | 13 | 86 1/2 | 15 | 15 | 96 3/4 | 12" Flange | 12" Flange | 462.4 | 2241 |
| W204207 | 16 1/4 | 4" Flange | 14 1/8 | 19 5/8 | 20 | 27 1/2 | 13 | 98 1/2 | 15 | 15 | 108 3/4 | 12" Flange | 12" Flange | 522.2 | 2402 |
| W204208 | 16 1/4 | 4" Flange | 14 1/8 | 19 5/8 | 20 | 27 1/2 | 13 | 110 1/2 | 15 | 15 | 120 3/4 | 14" Flange | 14" Flange | 581.9 | 2563 |

Materials Of Construction

| | Standard | Optional |
|-------------|-----------------------------|----------------------------|
| Shell | Steel | Stainless Steel (304/316) |
| Tubes | Stainless Steel (304) | Copper, SS 316, 90/10 CuNi |
| Tubesheet | Steel | Stainless Steel (304/316) |
| Connections | Steel | Stainless Steel (304/316) |
| Head | Cast Iron/Steel | Stainless Steel (304/316) |
| Gaskets | Non-asbestos, pressed fiber | |

Design Parameters

| | Standard | | Optional | |
|-------|-----------------------|------------------------|-----------------------|------------------------|
| | Design Pressure (PSI) | Design Temperature (F) | Design Pressure (PSI) | Design Temperature (F) |
| Shell | 150 | 375 | 300 | 421 |
| Tubes | 150 | 375 | 400 | 448 |

- Not certified drawings. Dimensions subject to change without notice.