



# END-SUCTION CENTRIFUGAL PUMPS

Series: 1000/1004-IC1¼  
1 - 7.5 HP / 3500 RPM  
Suction: 1½"NPT  
Discharge: 1¼"NPT



## APPLICATIONS

- ▶ Booster systems
- ▶ Water transfer
- ▶ Chilled water system
- ▶ High flow-rate / medium pressure

## VOLUTE

Cast iron ASTM A-48 class 30.

## INTERMEDIATE COUPLING

Cast iron ASTM A-48 class 30.

## IMPELLER

**Design:** 5 vanes, closed, statically balanced.

**Material:** cast iron ASTM A-48 class 30.

## SEAL

**Design:** mechanical, type 01.

**Material:** Ceramic stationary part, carbon ring seal and exclusion in the rotating part. Buna-N elastomer and stainless steel spring.

## SHAFT SLEEVE

Stainless steel.

## O-RINGS

Buna-N.

## MOTOR

High quality premium efficiency TEFC or ODP electric motors, designed & developed in accordance with industry standards for industrial and commercial pumping applications.

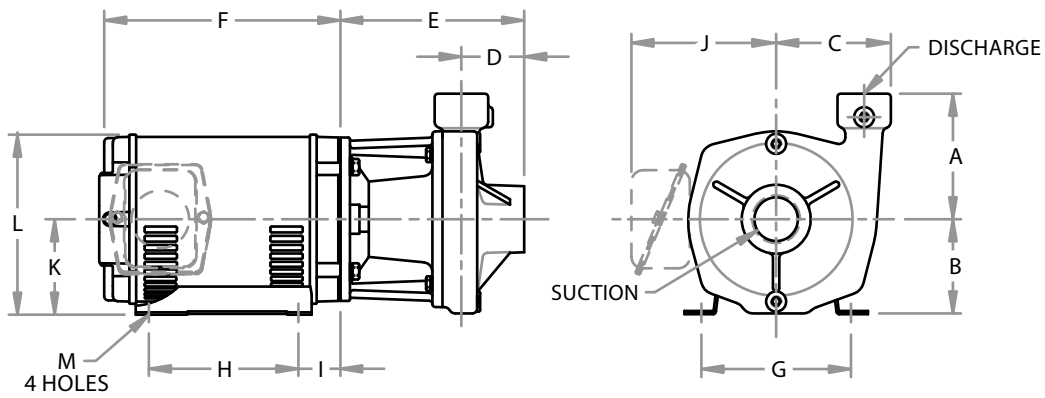
- ▶ 1 & 3 phases, 60 Hz
- ▶ Rated output: 1 to 7.5 HP
- ▶ 3500 RPM

## HARDWARE

Carbon steel.

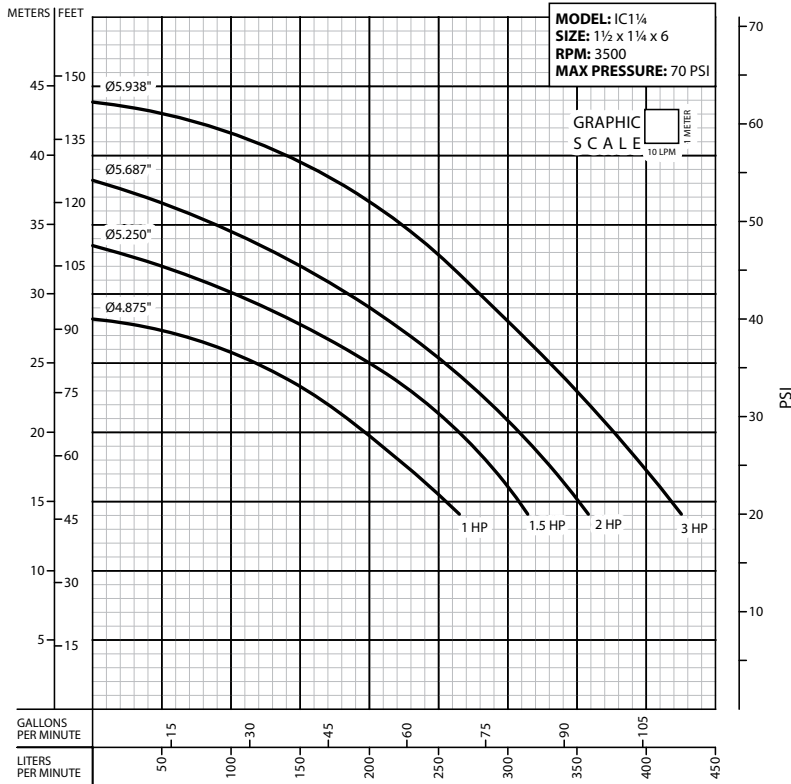
## PAINT

Air dry enamel, water based.



MODEL	PART No.	SIZE	HP	PHASE	ENCL.	FRAME	A	B	C	D	E	F	G	H	I	J	K	L	M													
1000/1004-IC1¼-1-2	62070501	1½" x 1¼"	1	3	ODP	56 J	5	3.75	3.5	2.5	5.5	9.31	4.88	3	2.75	-	3.5	6.75	0.34													
1000/1004-IC1¼-1-2-1	62070502		1	1		56 J						10.31																				
1000/1004-IC1¼-1.5-2	62070503		1.5	3		56 J						9.31																				
1000/1004-IC1¼-1.5-2-1	62070504		1.5	1		56 J						10.31																				
1000/1004-IC1¼-2-2	62070505		2	3		145 JM						12								5.5	5											
1000/1004-IC1¼-2-2-1	62070506		2	1		145 JM						7.31								11.81	7.5	4.5	3.63	6.88	4.5	8.5	0.41					
1000/1004-IC1¼-3-2	62070507		3	3		182 JM																										
1000/1004-IC1¼-3-2-1	62070508		3	1		182 JM																										
1000/1004-IC1¼-5-2	-		5	1		-						-								-	-	-	-	-	-	-	-	-	-	-	-	-
1000/1004-IC1¼-5-2-1	-		5	3		-						-								-	-	-	-	-	-	-	-	-	-	-	-	-
1000/1004-IC1¼-7.5-2-1	-	7.5	1	-	-	-	-	-	-	-	-	-	-	-	-	-	-	-														
1000/1004-IC1¼-1-2	62070501	1½" x 1¼"	1	3	TEFC	-	-	-	-	-	-	-	-	-	-	-	-	-														
1000/1004-IC1¼-1-2-1	62070502		1	1		-	-	-	-	-	-	-	-	-	-	-	-	-														
1000/1004-IC1¼-1.5-2	62070503		1.5	3		-	-	-	-	-	-	-	-	-	-	-	-	-														
1000/1004-IC1¼-1.5-2-1	62070504		1.5	1		-	-	-	-	-	-	-	-	-	-	-	-	-														
1000/1004-IC1¼-2-2	62070505		2	3		-	-	-	-	-	-	-	-	-	-	-	-	-														
1000/1004-IC1¼-2-2-1	62070506		2	1		-	-	-	-	-	-	-	-	-	-	-	-	-														
1000/1004-IC1¼-3-2	62070507		3	3		-	-	-	-	-	-	-	-	-	-	-	-	-														
1000/1004-IC1¼-3-2-1	62070508		3	1		-	-	-	-	-	-	-	-	-	-	-	-	-														
1000/1004-IC1¼-5-2	-		5	1		-	-	-	-	-	-	-	-	-	-	-	-	-														
1000/1004-IC1¼-5-2-1	-		5	3		-	-	-	-	-	-	-	-	-	-	-	-	-														
1000/1004-IC1¼-7.5-2-1	-	7.5	1	-	-	-	-	-	-	-	-	-	-	-	-	-																

All dimensions are in inches, and may vary depending on the motor manufacturer.



**IMPORTANT!**

1. Never use this pump to handle explosive liquids.
2. This pump is not approved to be used in swimming pools, recreational installations or any application where human contact may be common.
3. Testing is performed with water specific gravity of 1.0 @ 68 °F (20 °C); other fluids may vary performance.