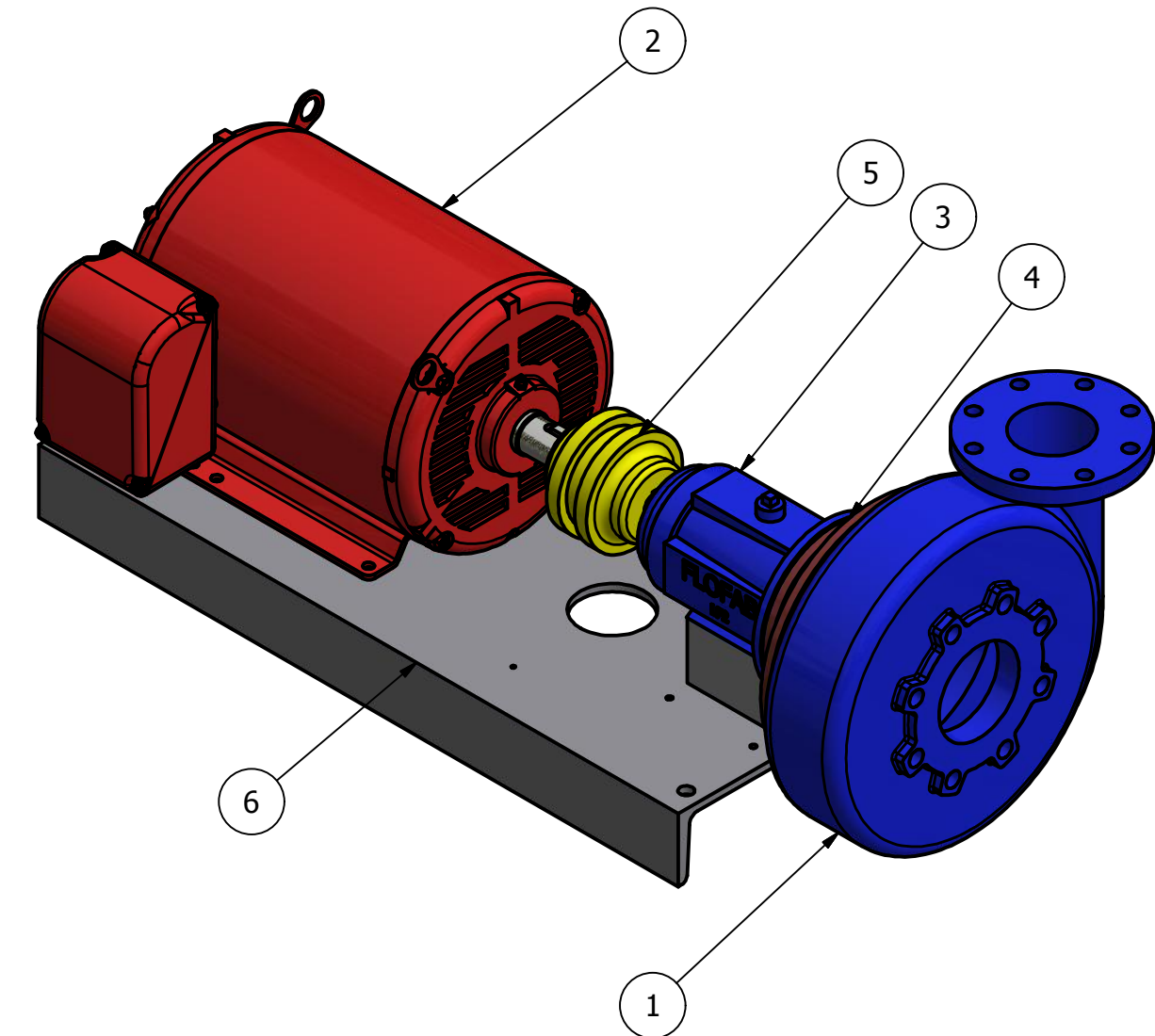
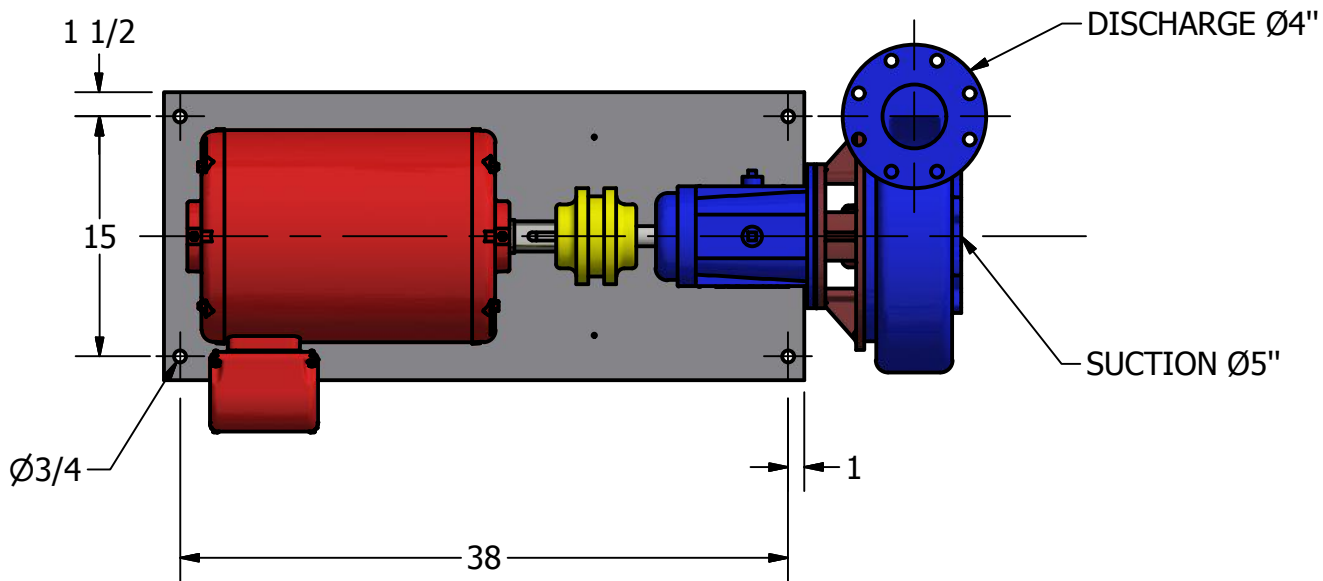
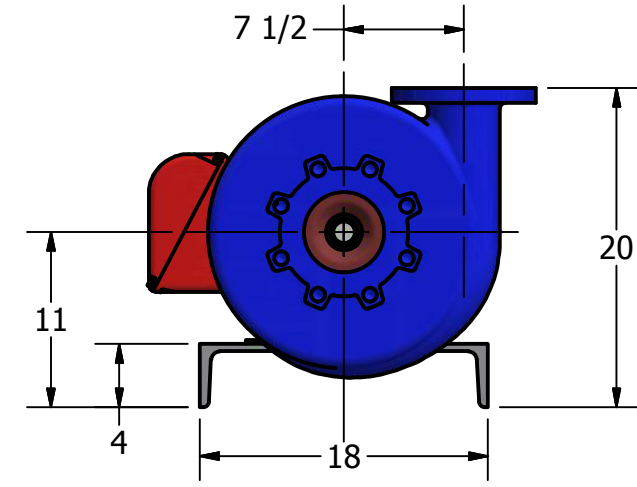
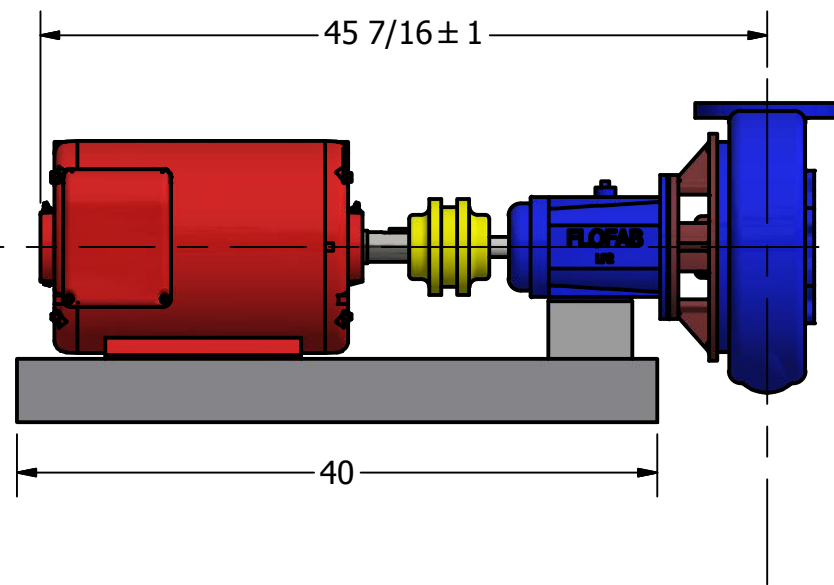



PARTS LIST

ITEM	QTY	DESCRIPTION
1	1	2000-F1240A PUMP
2	1	30HP/1750RPM/480V/3PH/60HZ/286T MOTOR
3	1	BEARING FRAME LF2
4	1	BRACKET 12" IRON 254-256 JM F2
5	1	COUPLING
6	1	STEEL BASE 18" X 40" LG



**THIS DRAWING MUST BE SENT WITH PURCHASE ORDER**

DESIGNER G. BOLDUC	DATE 06/16/2016	TITLE / TITRE 2000 PUMP ASSEMBLY	
		PROJECT / PROJET	
		CUSTOMER / CLIENT	
MONTREAL, (QC), CANADA TORONTO, (ON), CANADA LAKE WORTH, (FL), USA WWW.FLOFAB.COM		QUOTE	TAG
SCALE / ECHELLE 1/12		DWG NO.	REV 1
JOB NO.		SHEET 1 OF 1	