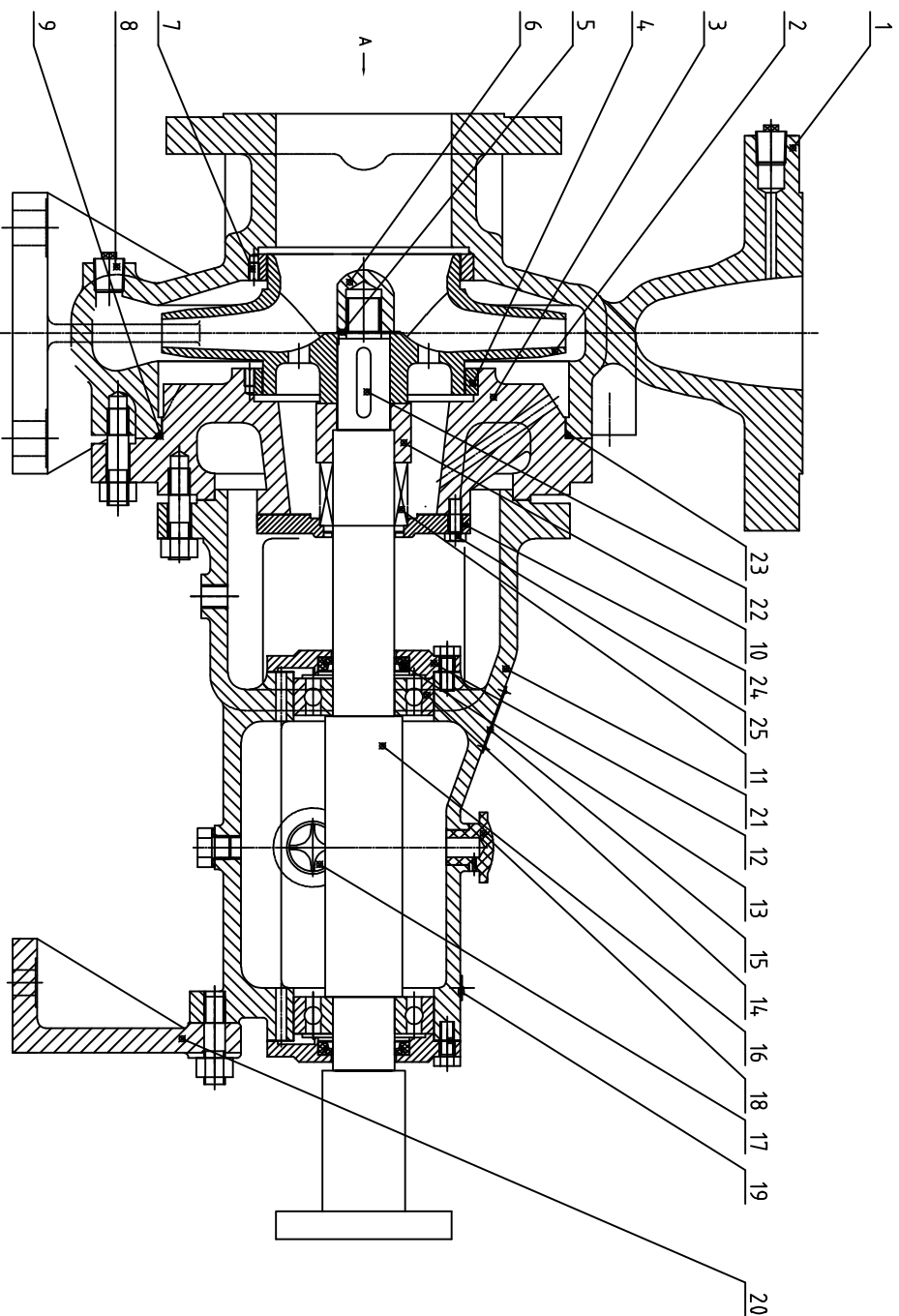


2300 | Sectional drawing



No	Name	No	Name
1	Casing	14	Bearing
2	Impeller	15	Nameplate
3	Casing cover	16	Shaft
4	Wear ring	17	Screw-in round oil indicator
5	Washer	18	Oil hole cover
6	Shaft head nut	19	Arrow plate
7	Set screw	20	Support
8	Square plug	21	Frame
9	O Ring	22	Key
10	Shaft sleeve	23	O Ring
11	Mechanical seal	24	Mech-seal cover
12	Bearing cover	25	Hexagon headed bolt
13	Lip seal		