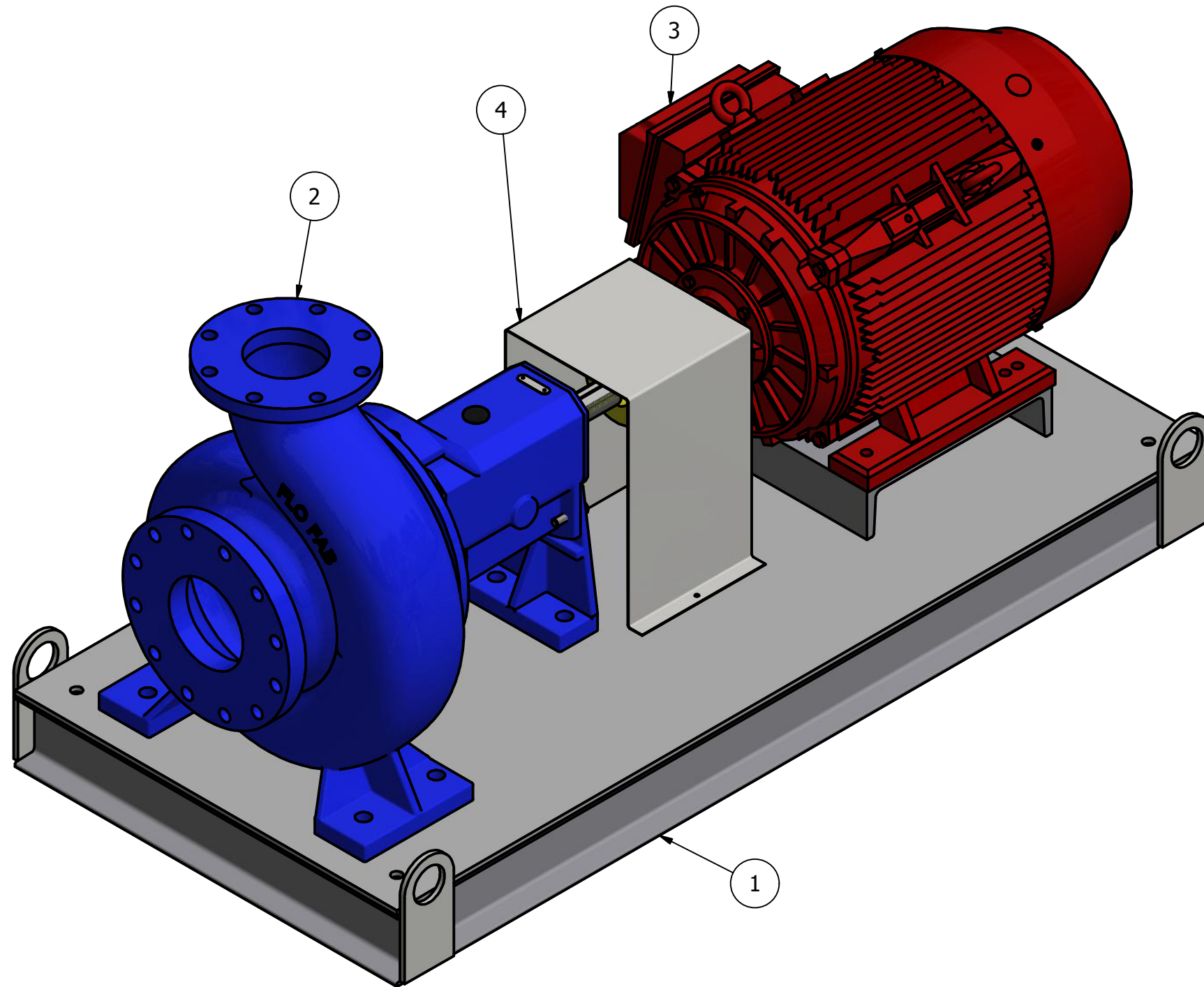


PARTS LIST		
ITEM	ITEM QTY	DESCRIPTION
1	1	SKID
2	1	PUMP 2300-8X6-12
3	1	MOTOR - 75HP/1750RPM/480V/365T
4	1	COUPLING GUARD

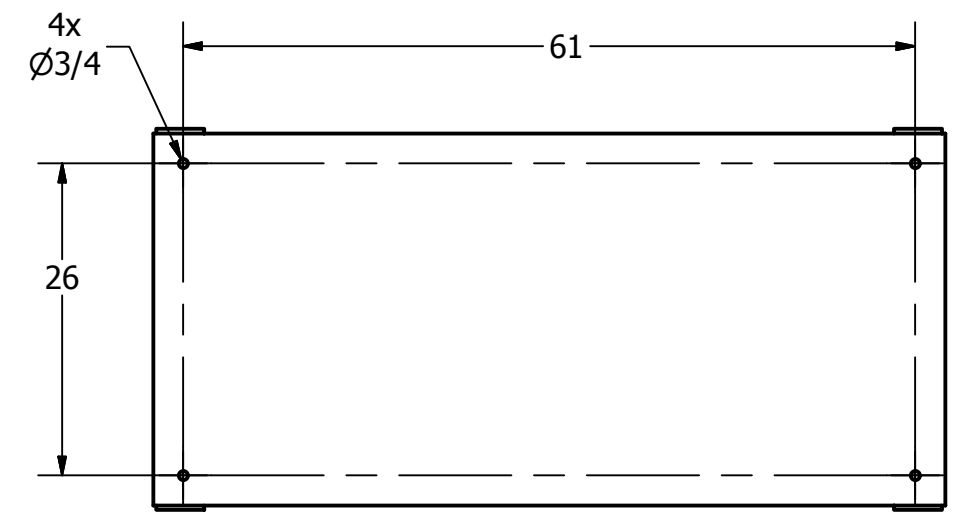
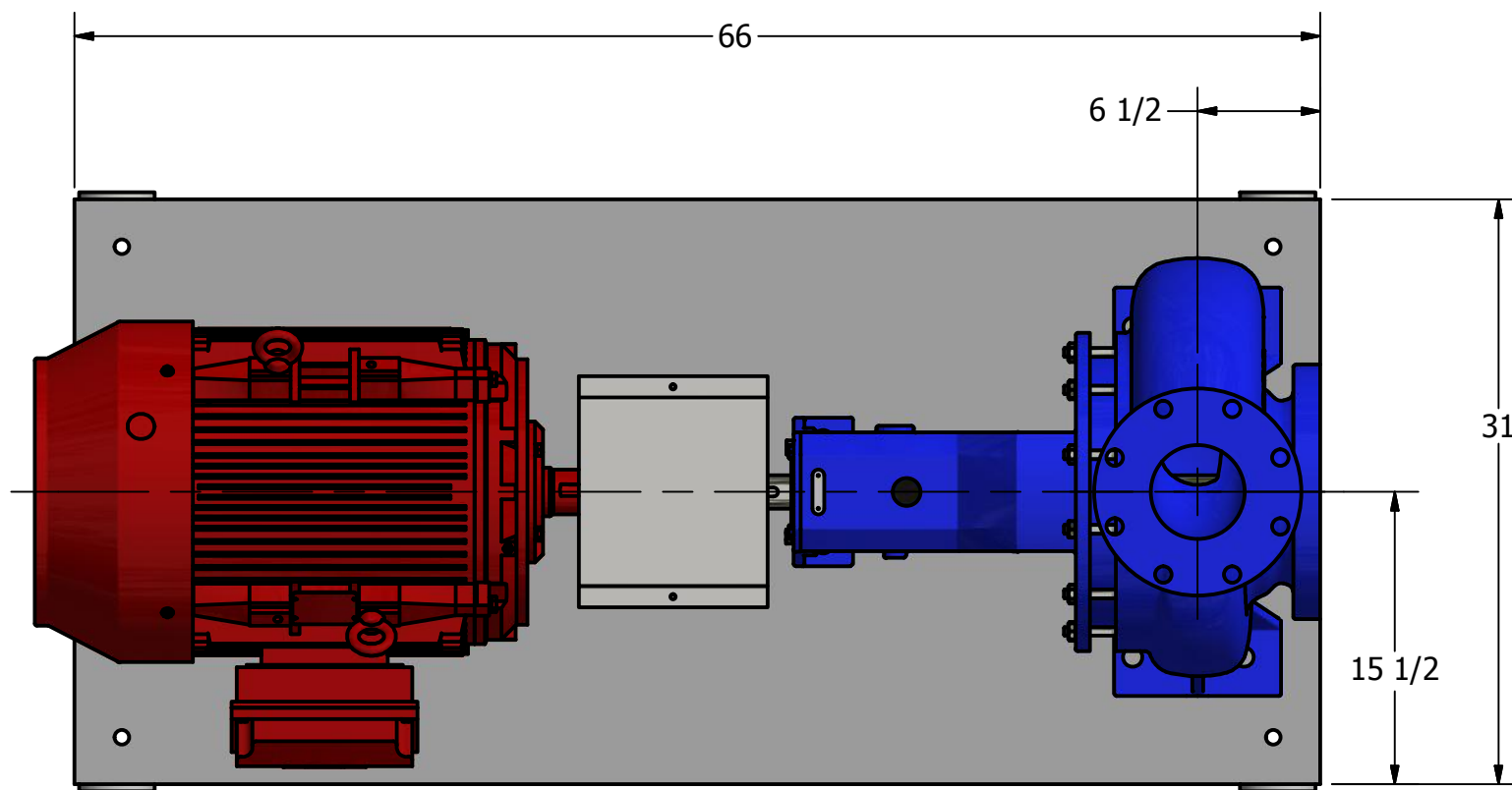
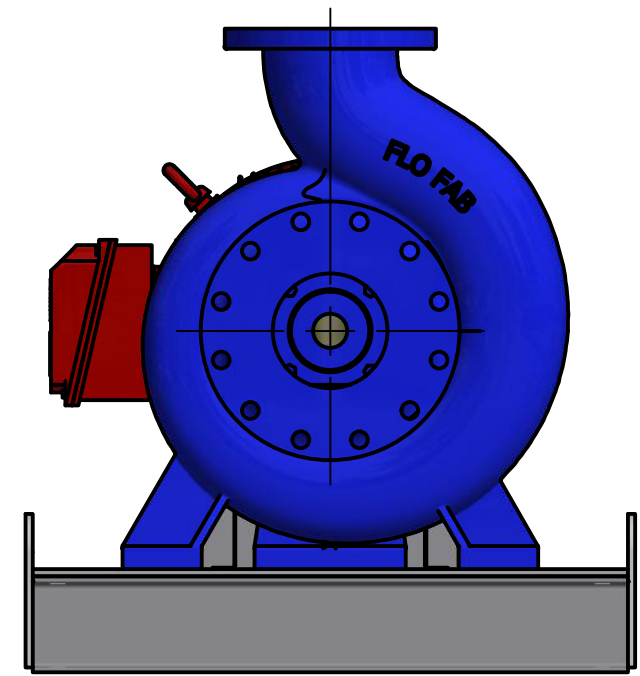
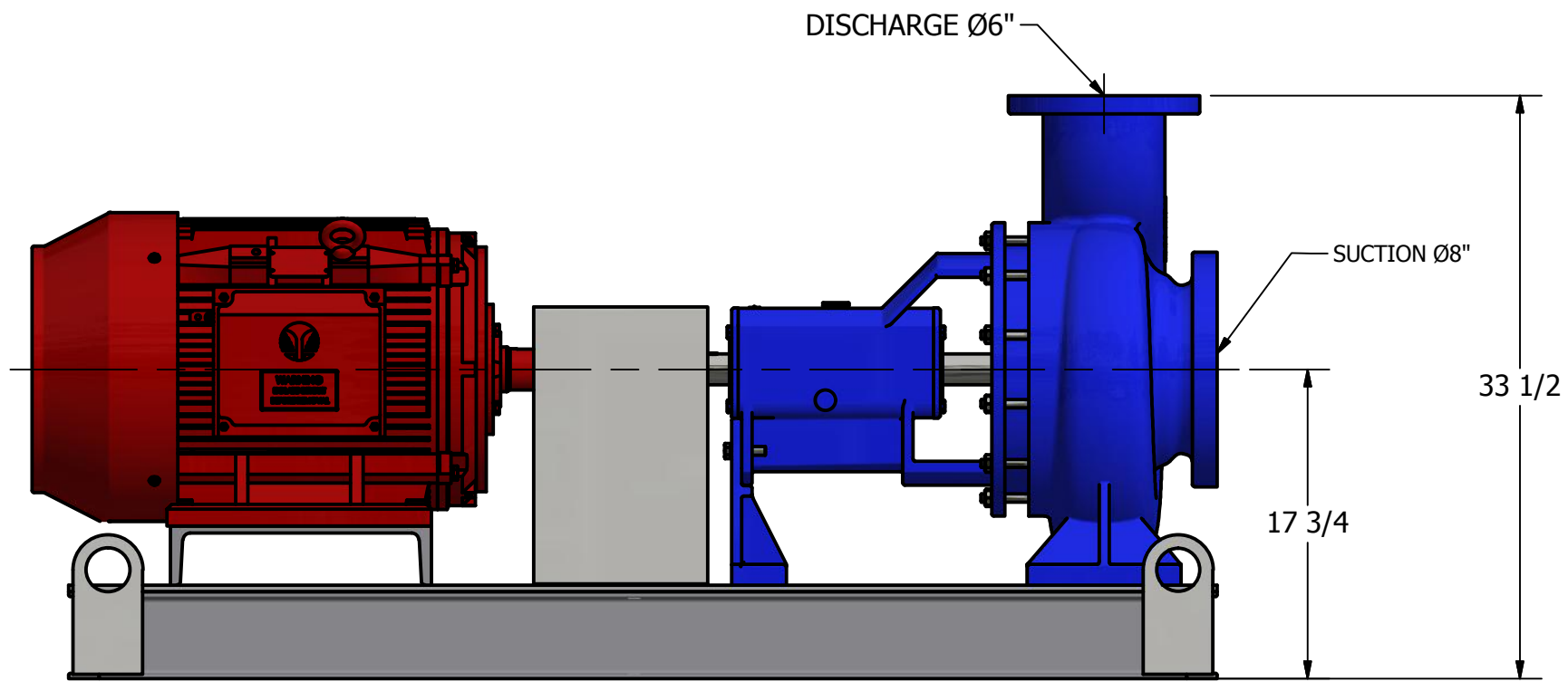


DRAWING %	
FABRICATION	
100%	X
90%	
75%	
50%	
PRELIMINARY	


REVISION HISTORY		
REV	DESCRIPTION	DATE
1	PRELIMINARY DRAWINGS	05-APR-2016
THIS DRAWING MUST BE SENT WITH PURCHASE ORDER		
DESIGNER B.FEVEREIRO	DATE 04/05/2016	TITLE / TITRE 2300 PUMP ASSEMBLY
PROJECT / PROJET		
CUSTOMER / CLIENT		
QUOTE	TAG	
DWG NO.		REV 1
SCALE / ECHELLE 0.13		JOB NO.
WWW.FLOFAB.COM		SHEET 1 OF 2



MONTREAL, (QC), CANADA
TORONTO, (ON), CANADA
LAKE WORTH, (FL), USA
WWW.FLOFAB.COM



ANCHOR BOLT PATTERN
SCALE 1/16

THIS DRAWING MUST BE SENT WITH PURCHASE ORDER			
DESIGNER B.FEVEREIRO	DATE 04/05/2016	TITLE / TITRE 2300 PUMP ASSEMBLY	
		PROJECT / PROJET	
		CUSTOMER / CLIENT	
MONTREAL, (QC), CANADA TORONTO, (ON), CANADA LAKE WORTH, (FL), USA WWW.FLOFAB.COM		QUOTE	TAG
SCALE / ECHELLE 1/10		JOB NO.	REV 1
			SHEET 2 OF 2