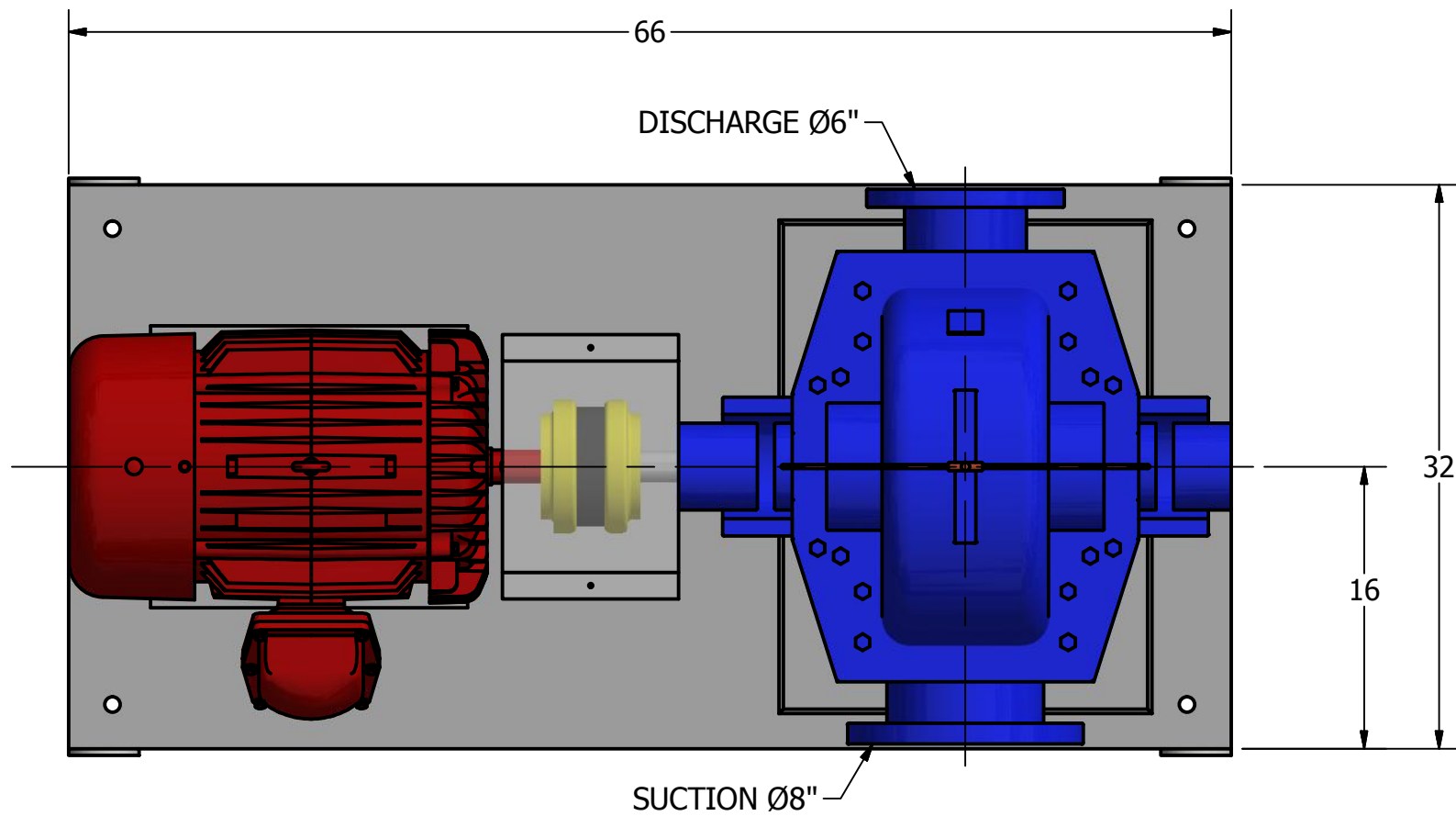
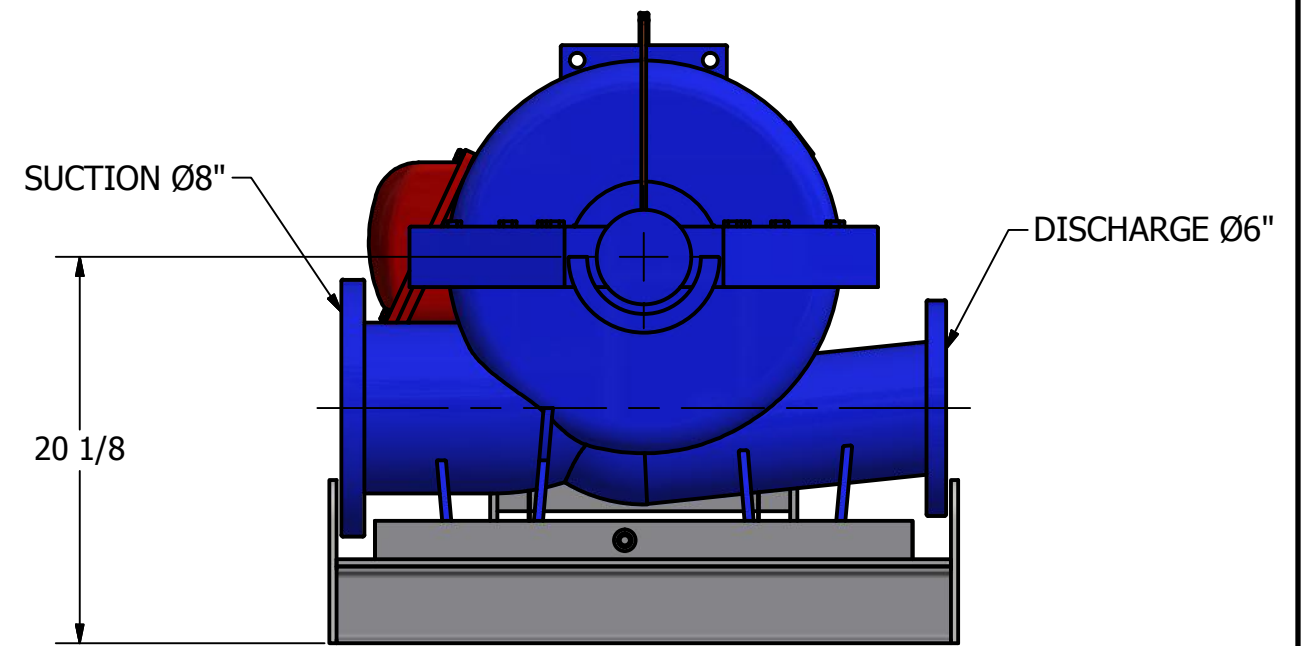
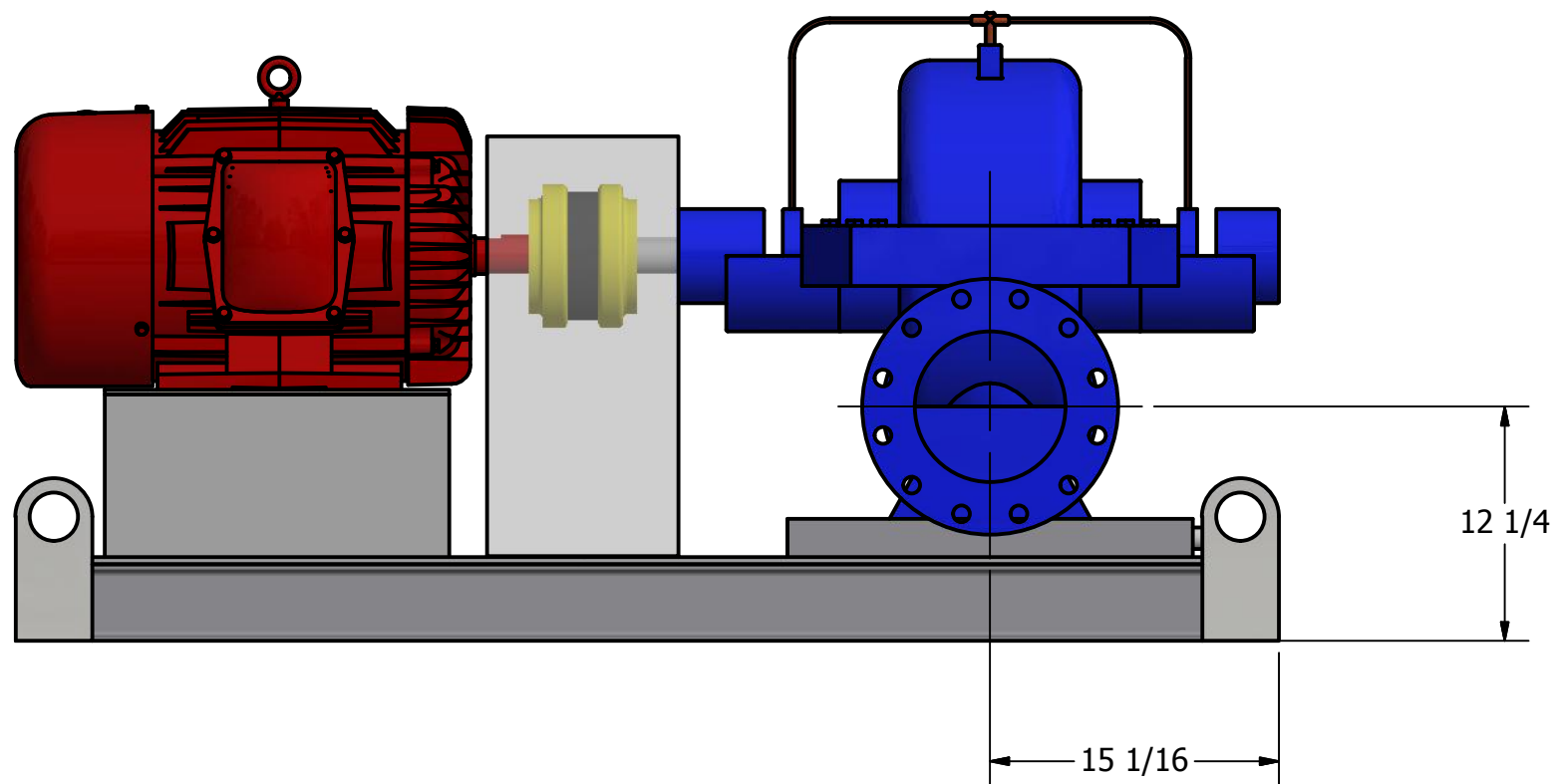



PARTS LIST		
ITEM	QTY	DESCRIPTION
1	1	SKID
2	1	PUMP 4800-8X6-10.94 CW
3	1	MOTOR 15HP/1150RPM/284T/380-400/3/60
4	1	MOTOR BASE
5	1	COUPLING INSERT
6	1	COUPLING GUARD
7	1	DRAIN DRIP PAN

NOTE:
 - VFD SHIP LOOSE
 - 304 (18-8) STAINLESS STEEL SHAFT SLEEVE
 - TO BE SUBMITTED CERTIFIED PUMP PERFORMANCE TEST CURVE
 - MOTOR MADE IN U.S.A.

DRAWING %	
FABRICATION	
100%	
90%	
75%	
50%	
PRELIMINARY	X

REVISION HISTORY		
REV	DESCRIPTION	DATE
1	PRELIMINARY DRAWINGS (G.B.)	06/03/2016
THIS DRAWING MUST BE SENT WITH PURCHASE ORDER		
DESIGNER G. BOLDUC	DATE 06/03/2016	TITLE / TITRE 4800 HORIZONTAL PUMP ASSEMBLY
PROJECT / PROJET		
CUSTOMER / CLIENT		
QUOTE		TAG
DWG NO.		REV 1
SCALE / ECHELLE 1/7		JOB NO.
MONTREAL, (QC), CANADA TORONTO, (ON), CANADA LAKE WORTH, (FL), USA WWW.FLOFAB.COM		SHEET 1 OF 2



THIS DRAWING MUST BE SENT WITH PURCHASE ORDER			
DESIGNER G. BOLDUC	DATE 06/03/2016	TITLE / TITRE 4800 HORIZONTAL PUMP ASSEMBLY	
		PROJECT / PROJET	
		CUSTOMER / CLIENT	
MONTREAL, (QC), CANADA TORONTO, (ON), CANADA LAKE WORTH, (FL), USA WWW.FLOFAB.COM		QUOTE	TAG
SCALE / ECHELLE 1/10		DWG NO.	REV 1
		JOB NO.	SHEET 2 OF 2