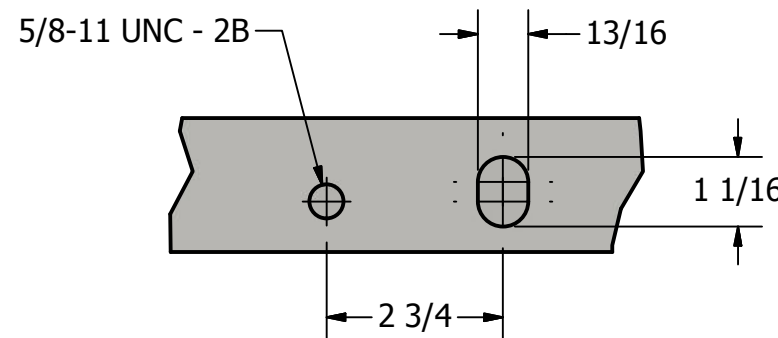
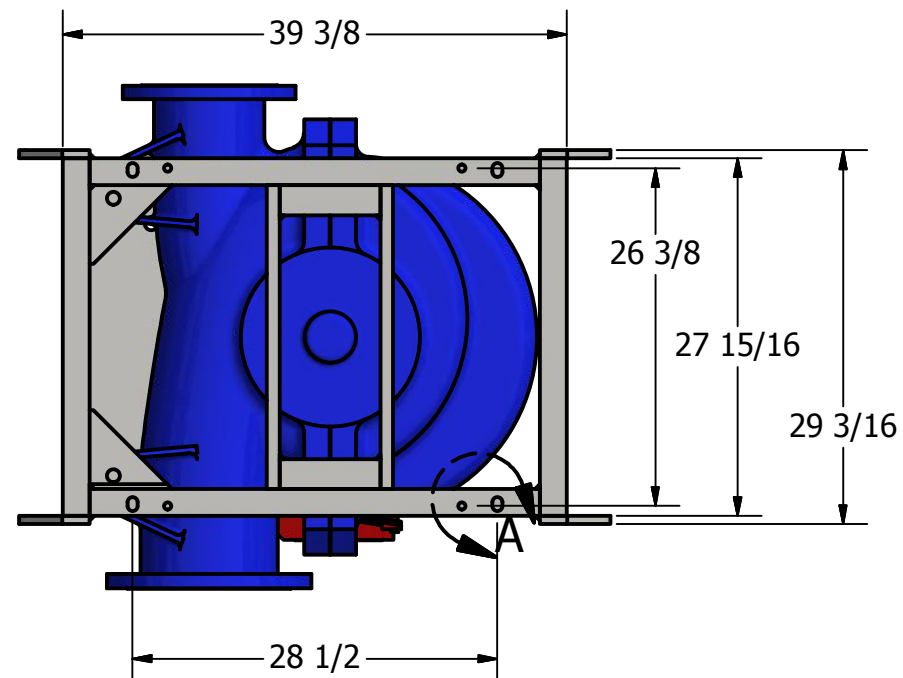
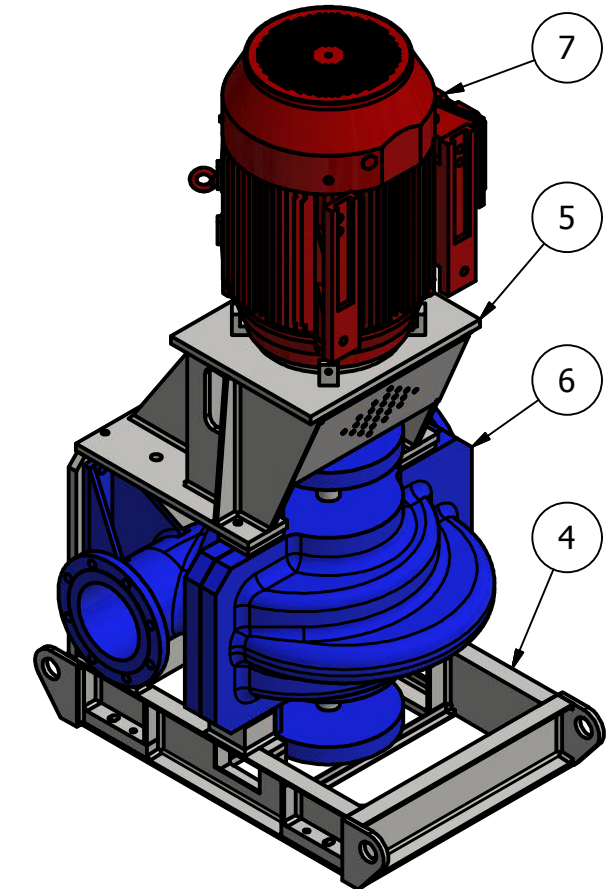
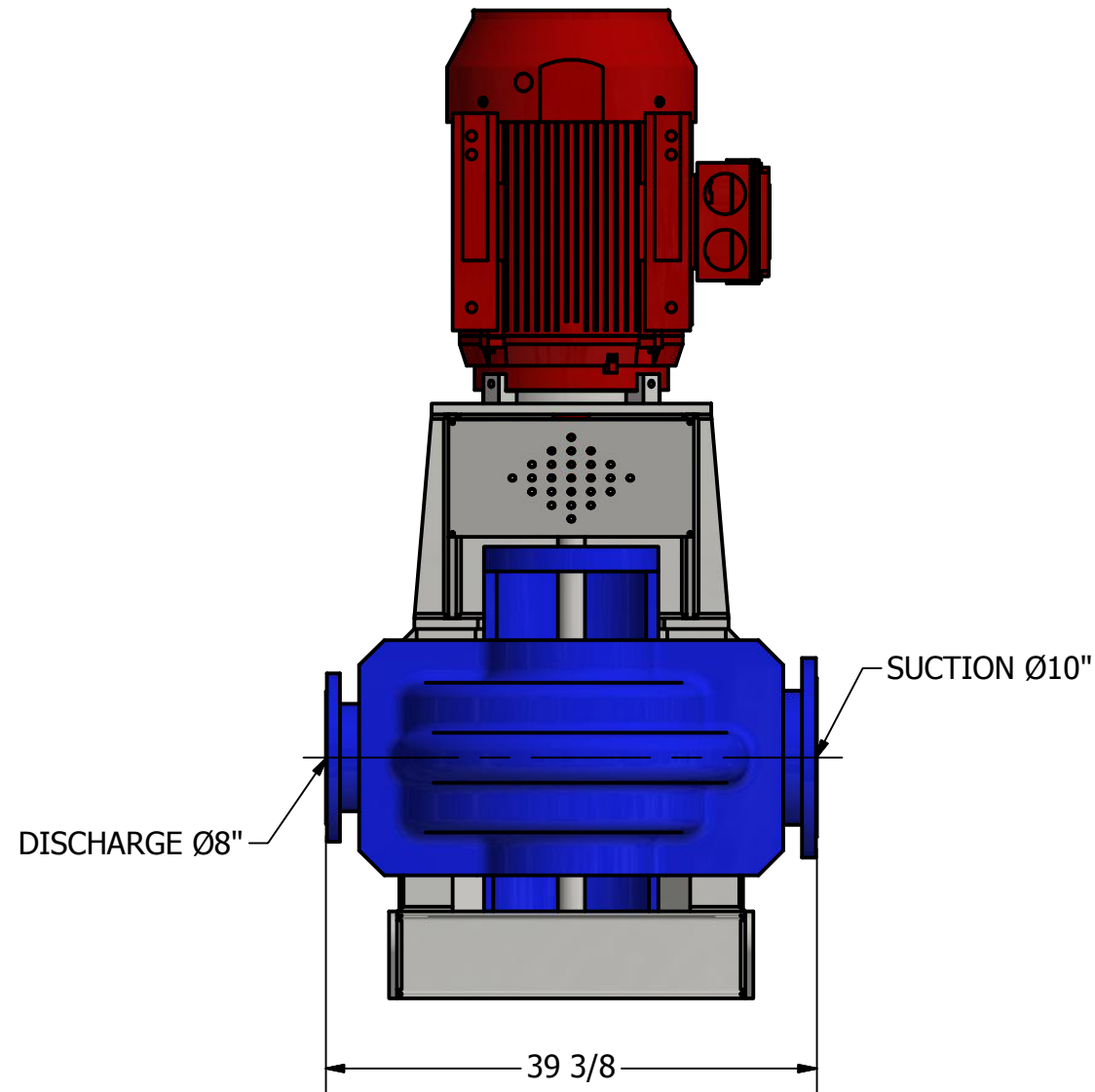
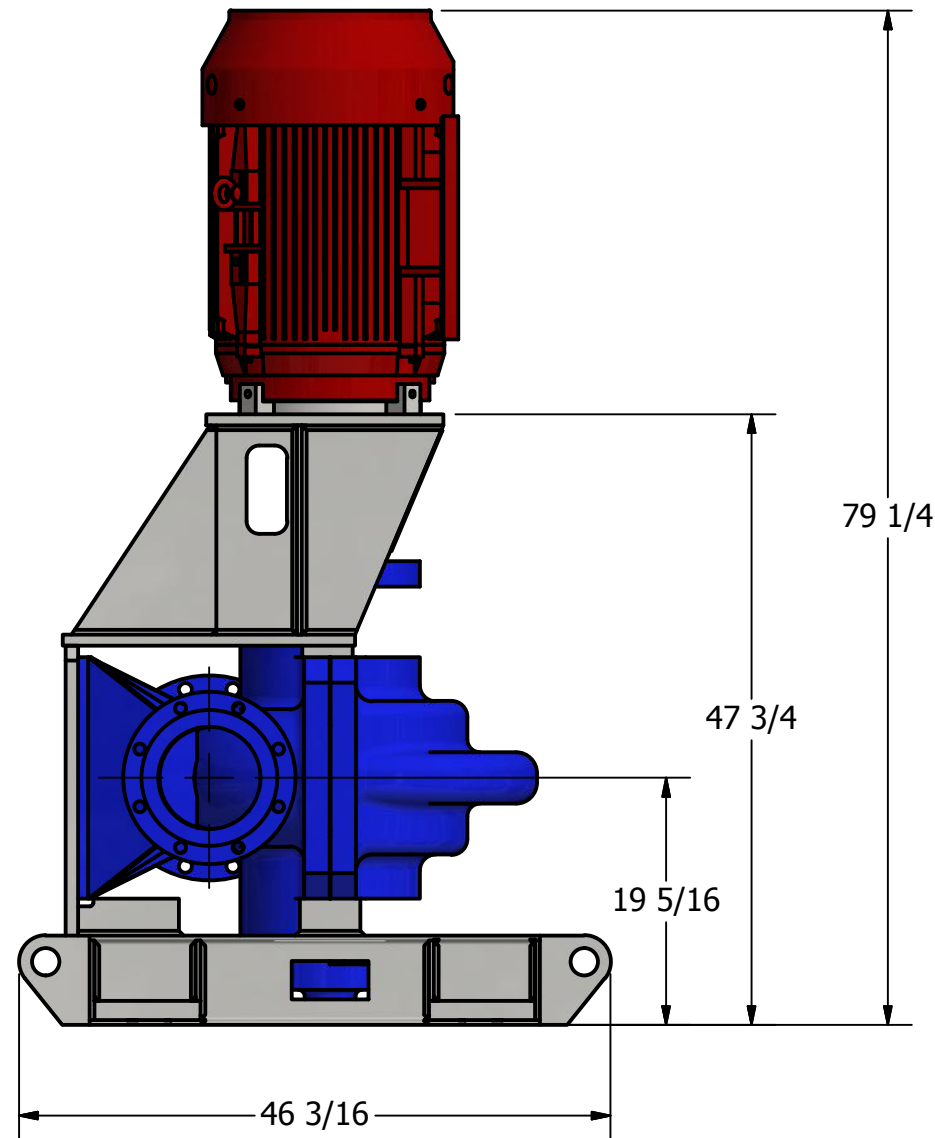


PARTS LIST		
ITEM	QTY	DESCRIPTION
4	1	SKID BASE FRAME
5	1	MOTOR FRAME SUPPORT
8	1	105518_PCWP-1,2_001
6	1	PUMP 4900 10X8-16.3
7	1	MOTOR 60-1185-460-3-60-404TC



DETAIL A
SCALE 1/3

DRAWING %	FABRICATION
100%	
90%	X
75%	
50%	
PRELIMINARY	

REVISION HISTORY		
REV	DESCRIPTION	DATE
1	PRELIMINARY DRAWINGS	5 MAR 2015
THIS DRAWING MUST BE SENT WITH PURCHASE ORDER		
DESIGNER B.FEVEREIRO	DATE 02/24/2016	TITLE / TITRE 4800 V SHAPE PUMP ASSEMBLY
PROJECT / PROJET		
CUSTOMER / CLIENT		
QUOTE	TAG	
DWG NO.	REV 1	
SCALE / ECHELLE 1/15	JOB NO.	SHEET 1 OF 1



MONTREAL, (QC), CANADA
TORONTO, (ON), CANADA
LAKE WORTH, (FL), USA
WWW.FLOFAB.COM