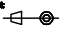
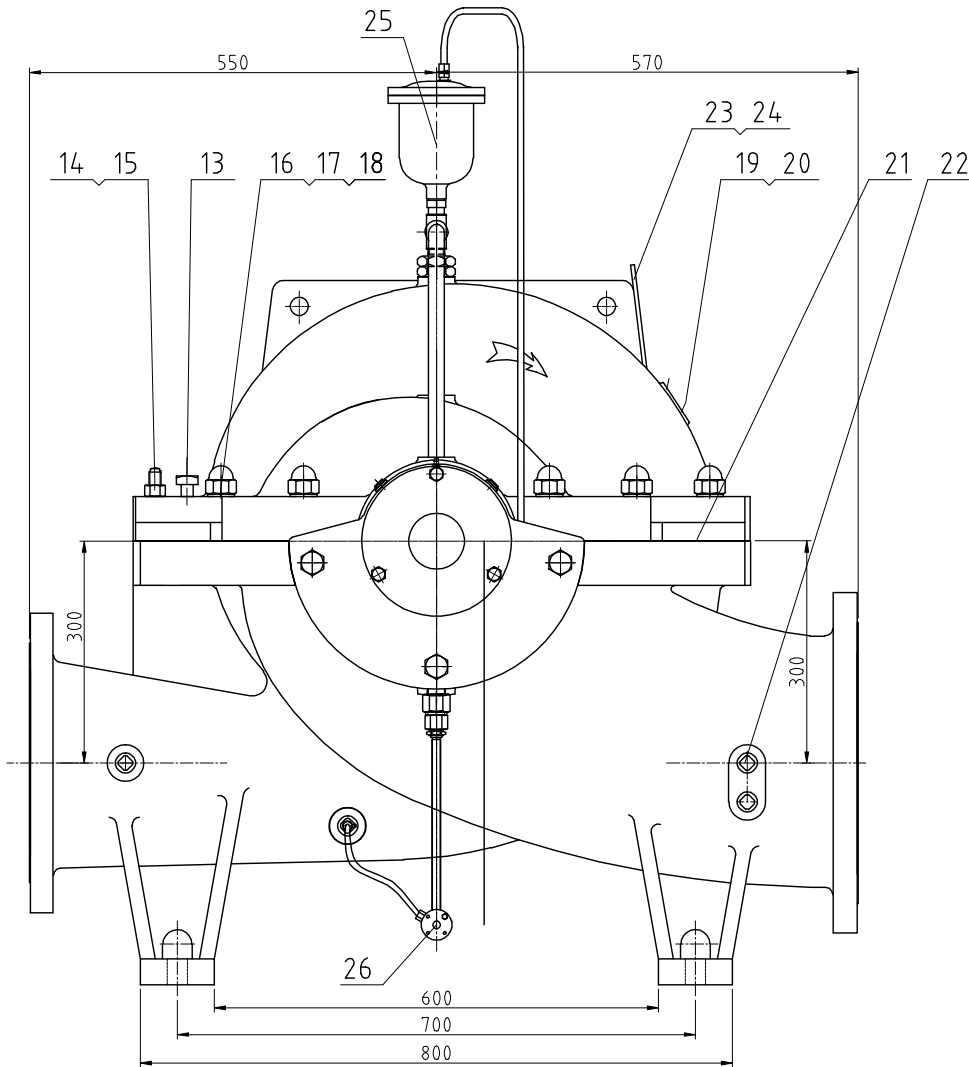
		FLO FAB - MANUFACTURER OF PUMPS, TANKS, HEAT EXCHANGERS & ACCESSORIES		REV A
DR BY: _____	DATE _____	NAME GENERAL ASSEMBLY DRAWING	PROJECTIONS 	UNITS MM
CK BY: _____	DATE _____	MODEL No 4900-12-10-490	PROJECT	
APPROVED: _____	DATE _____	PART No	SCALE 1:1	PAGE OF 1 2
		MANUF: _____		



26		Blow-off Pipe	1		NPT1/2
25		ARVX	1	CLN025A (A48)	NPT1/2
24	GB/T13306	Nameplate	1	S S	100X100
23	GB/T70.3	Plug	2	S S	M6X10
22	GB/T3287	Plug	10	S S	NPT1/2
21		Casing gasket	1	Fish Paper	0.3mm
20		Logo	1	S S	
19	GB/T827	Rivet	4	1812	2.5X6
18	GB/T97.1	Flat Washer	20	S S	27
17	GB/T923	Cap nut	24	S S	M27
16	GB/T898	Stud	24	S S	AM27X90
15	GB/T881	Taper Pin	2	1045	16X100
14	GB/T6170	Nut	2	A570Gr.D	M16
13	DS-00	Top thread	4	1045	M20X60
12	GB/T93	Spring Washer	6	1066	20
11	GB/T5780	Bolt	6	A570Gr.D	M20x60
10	GB/T879.1	Spring Pin	4	1066	8X20
9	GB/T894.1	Shaft Circlip	1	1066	75
8	NS-700.00F	Flushing Pipe	1		
7	NS-307.00-ZZ-6315	Bearing Assembly(NDS)	1		
6	NS-207.00-ZZ-6315	Bearing Assembly(DE)	1		
5	NS-401.00-90B	Packing Seal Assembly	2		
4	B2106-72A-296x315x30	Casing Wear Ring	2	Bronze	296X315X30
3	4900-12-10-490-0100	Rotor Assembly	1		
2	4900-12-10-490-0002	Upper Casing	1	70-50-05	
1	4900-12-10-490-0001	Lower Casing	1	70-50-05	
No.	Part No.	Part Name	Qty	Material(ASTM)	Remark



FLO FAB - MANUFACTURER OF PUMPS,
TANKS, HEAT EXCHANGERS & ACCESSORIES

REV
A
UNITS
MM

DR BY:	DATE	NAME	PROJECTION:	
CK BY:	DATE	GENERAL ASSEMBLY DRAWING MODEL : 4900-12-10-490	PROJECT	
APPROVED:	DATE	PART No	SCALE	PAGE
		MATERIAL:	1:3	2