

Model: FF2727B1F

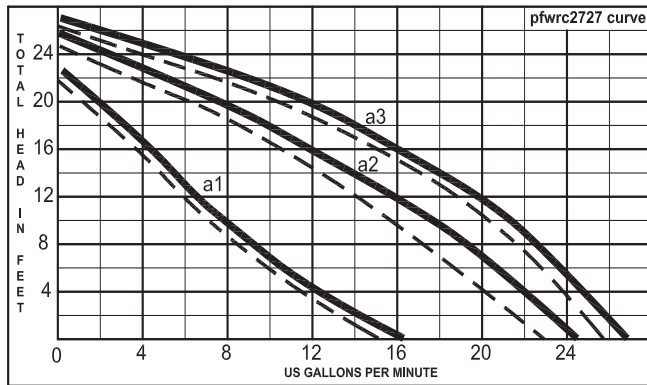


Features:

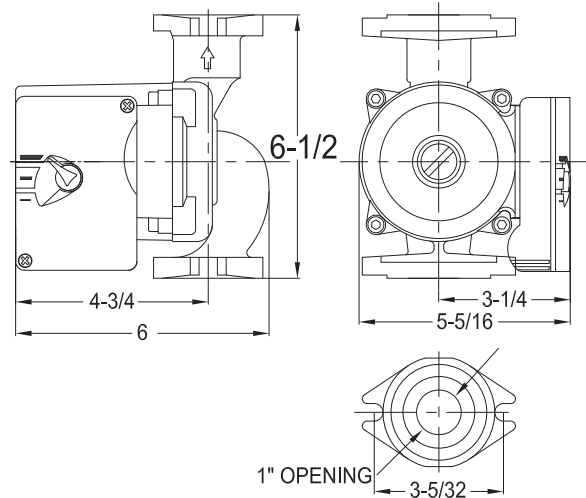
Flo-Fab circulator pumps are low noise, low leakage, reliable operation and easy installation. Single and three speed compact, efficient wet rotor circulators for closed loop (cast iron volute) hydronic heating and cooling circulation and open loop (bronze and stainless steel) domestic water recirculation applications. FOR INDOOR USE ONLY.

- **MOTOR:** 2-pole, 3600rpm, single phase, PSC with Thermal protection
- **LIQUID TEMPERATURE:** 32°F - 230°F
- **MAX. SYSTEM PRESSURE:** 145 PSI
- **INSULATION:** Class H
- **VOLUTE:** Lead free Bronze
- **CONNECTION:** Flange with two 1/2" Dia. Bolt Holes
- **WARRANTY:** 3 year

Wet Rotor Circulator Pumps Three Speed Open System type



"___" without check valve, "___" with check valve



MODEL/PART NUMBER	VOLTS/ PHASE	AMPS	WATTS	CURVE	CAPACITOR	WT. lbs
PFWRC2727B1F	115/1	1.6/1.5/1.3	185/170/135	a3/ a2/ a1	20mfd/450V	11.25

PF	WRC	21	20	Volute Material C, B, S	Motor Voltage 1 or 2	Connection Type F, S, U
Flo-Fab	Wet Rotor Circulator	Shut Off Head (ft)	Max Flow (Gal)	C = Cast Iron B = Lead Free Bronze S = Stainless Steel	1 = 115 V 2 = 230V/1P	F = Flanged S = Copper Sweat U = Union

EXAMPLE: PFWRC2120C1F - Flo Fab Pumps - Wet Rotor Circulator - 21' Shut Off Head - 20 GPM Max Flow - Cast Iron Volute - 115 Volt, Flanged Connection.