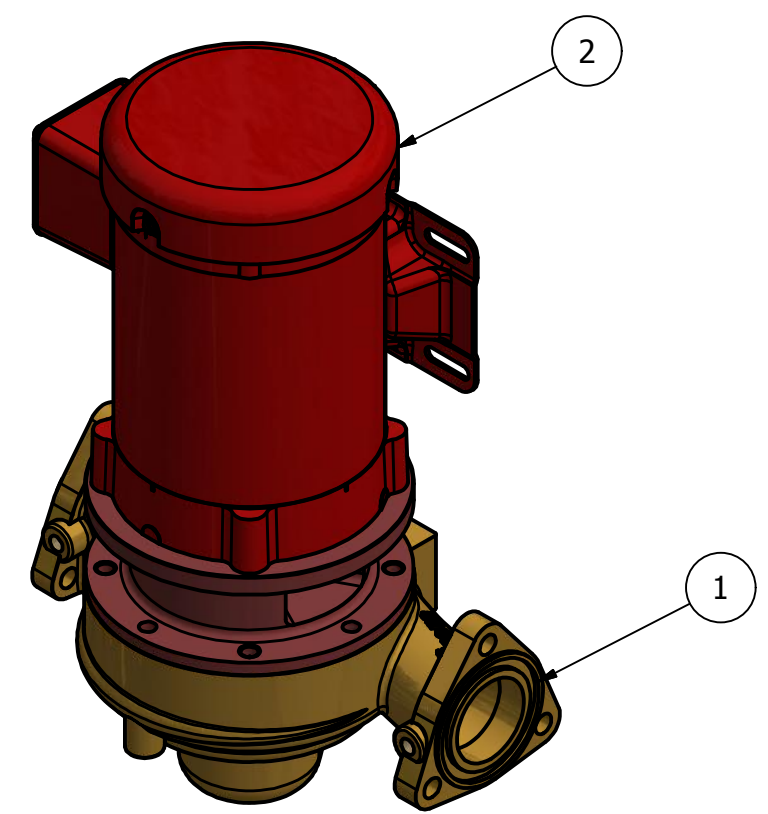
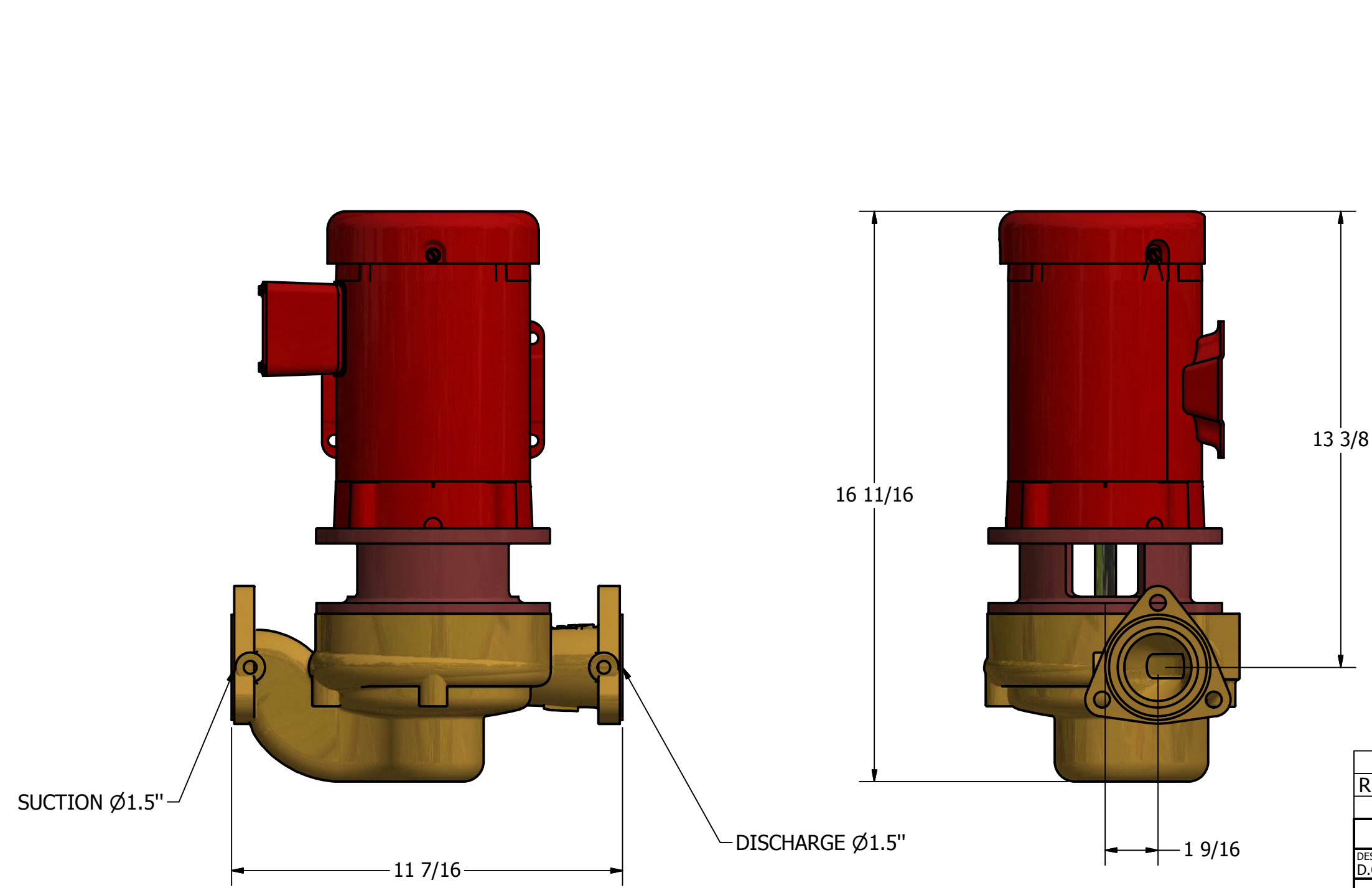


PARTS LIST		
ITEM	QTY	DESCRIPTION
1	1	600-1.5X1.5-5-3 CASING
2	1	MOTOR 0.75HP,1750RPM,3PH,60HZ,56C,3420M,TEFC



DRAWING %	
FABRICATION	
100%	X
90%	
75%	
50%	
PRELIMINARY	

REVISION HISTORY		
REV	DESCRIPTION	DATE
1	INITIAL DRAWINGS	04/01/2016

**THIS DRAWING MUST BE SENT WITH PURCHASE ORDER**

DESIGNER D.GERMAIN	DATE 04/01/2016	TITLE / TITRE 600 PUMP ASSEMBLY
PROJECT / PROJET		
CUSTOMER / CLIENT		
QUOTE	TAG	
DWG NO.	REV 1	
SCALE / ECHELLE 2/7	JOB NO.	SHEET 1 OF 1

**FLOFAB**  
MONTREAL, (QC), CANADA  
TORONTO, (ON), CANADA  
LAKE WORTH, (FL), USA  
WWW.FLOFAB.COM