

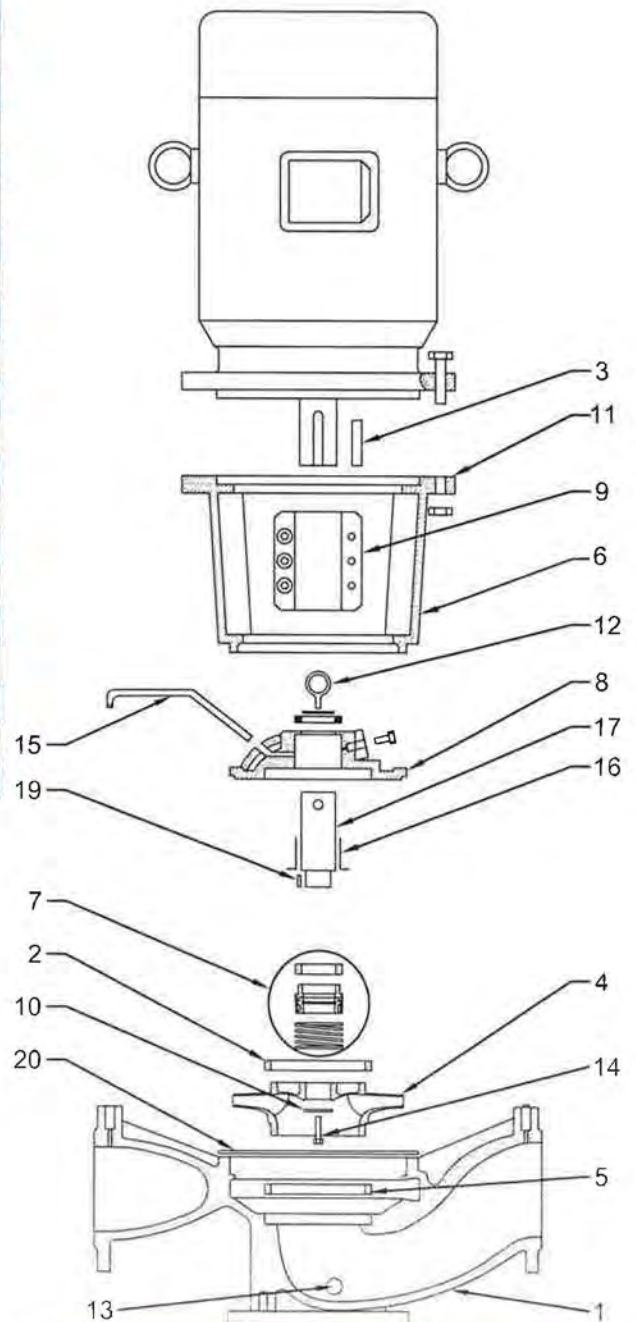


**SERIES 840SC
PARTS LIST**

VERTICAL IN-LINE WITH SPILT COUPLING 840SC				
**	#	PARTS	STANDARD	OPTIONS
	1	CASING	CAST IRON A48 CL30	BRONZE ASTM B584C87500
**	2-1	IMPELLER WEARING	CAST IRON A48 CL30	*****
**	2-2	IMPELLER WEARING	*****	BRASS
**	2-3	IMPELLER WEARING	*****	BRONZE ASTM B584C87500
**	2-4	IMPELLER WEARING	*****	STAINLESS STEEL 18-8
	3	MOTOR SHAFT KEY	CARBON STEEL - 1045	*****
**	4	IMPELLER	BRONZE ASTM B584C87500	CAST IRON A48 CL30
**	5-1	CASING WEARING	CAST IRON A48 CL30	*****
**	5-2	CASING WEARING	*****	BRASS
**	5-3	CASING WEARING	*****	BRONZE ASTM B584C87500
**	5-4	CASING WEARING	*****	STAINLESS STEEL 18-8
	6	BRACKET	CAST IRON A48 CL30	*****
**	7	MECHANICAL SEAL	VITON /CERAMIC VS CARBON W / STAINLESS STEEL SPRING	VARIOUS (FOR ASSEMBLY)
	8	MECHANICAL SEAL COVER	CAST IRON A48 CL30	*****
	9	SPLIT COUPLING	CAST IRON A48 CL30	*****
	10	IMPELLER WASHER	STAINLESS STEEL 18-8 OPEN DESIGNATION	*****
	11	MOTOR CONNECTION FLANGE	STEEL	*****
	12	HOLDING BOLT & WASHER	STEEL	*****
	13	PLUG	STEEL	*****
	14	IMPELLER BOLT	STAINLESS STEEL 18-8 OPEN DESIGNATION	*****
	15	FLUSH LINE	*****	*****
**	16	BEARING BUSHING	*****	*****
**	17	PUMP SHAFT	CARBON STEEL 4340 CLEAR ZINC PLATED	*****
	18	*****	*****	*****
	19	PUMP SHAFT KEY	*****	*****
**	20	CASING GASKET	FIBER GASKET (VELLUMOID)	*****

** RECOMMENDED SPARE PARTS

DATE: 2011/08/05





SPARE PARTS CODE FOR SERIES 840SC PUMP

√	MODEL & SIZE	CODE
	4X4-8	125V200
	4X4-10	125V250
	4X4-12	125V315
	6X6-8.5	150V200
	6X6-10.2	150V250
	6X6-12.79	150V315
	6X6-15.5	150V400
	8X8-8.5	200V200
	8X8-10.2	200V250
	8X8-12.79	200V315
	8X8-15.94	200V400
	10X10-13.7	250V315
	10X10-17	250V400
	12X12-16.5	300V235
	12X12-17.4	300V300
	12X12-11	300V315
	12X12-22.8	300V380
	12X12-17	300V400
	14X14-13	350V300
	14X14-16	350V400

DATE: 2011/05/04

*	recommended spares				PAGE 1 OF 1
Series	840SC model 4X4X8 125V200				
NO	PARTS NAME	PART NUMBER	STANDARD MATERIAL	PART NUMBER	OPTIONAL MATERIAL
1	volute casing	125V200-01	cast iron ASTMA48CL 30		bronze ASTMB584C87400
1.1	volute casing				stainless steel 304
1.2	volute casing				ductile iron 300 PSI GGG50
1.3	volute casing				cast steel ASTMA216WCB
*2.1	impeller wearing	125V200-02-1	cast iron ASTMA48CL 30		
*2.2	impeller wearing			125V200-02-2	brass
*2.3	impeller wearing			125V200-02-3	bronze ASTMB584C87400
*2.4	impeller wearing			125V200-02-4	stainless steel 304
3	motor shaft key	125V200-03	steel		
*4	impeller	125V200-04-1	cast iron ASTMA48CL 30	125V200-04-2	brass
4	impeller			125V200-04-3	bronze ASTMB584C87400
4	impeller			125V200-04-4	stainless steel 304
*5	casing wearing	125V200-05-1	cast iron ASTMA48CL 30	125V200-05-2	brass
5	casing wearing			125V200-05-3	bronze ASTMB584C87400
5	casing wearing			125V200-05-4	stainless steel 18-8 open designation
6	bracket	125V200-06	cast iron ASTMA48CL 30 (advise motor frame)		
*7	mechanical seal	125V200-07	buna/silicone carbide w/stainless steel		clients choice
8	mechanical seal cover	125V200-08	cast iron ASTMA48CL 30		
*9	split coupling	125V200-09	cast iron ASTMA48CL 30 (advise motor frame)		
10	washer	125V200-10	stainless steel		
11	motor connection flange	125V200-11	cast iron ASTMA48CL 30		
12	holding bolt and washer	125V200-12	steel		
13	drain plug	125V200-13	steel		
14	impeller bolt	125V200-14	stainless steel		
15	flush line	125V200-15	stainless steel		
*16	bearing bushing	125V200-16	bronze ASTMB584C87400		
*17	pump shaft	125V200-17	stainless steel		
19	pump shaft key	125V200-19	steel		
*20	casing gasket	125V200-20	fiber gasket vellumoid		

*	recommended spares				PAGE 1 OF 1
Series	840SC model 4X4X10 125V250				
NO	PARTS NAME	PART NUMBER	STANDARD MATERIAL	PART NUMBER	OPTIONAL MATERIAL
1	volute casing	125V250-01	cast iron ASTMA48CL 30		bronze ASTMB584C87400
1.1	volute casing				stainless steel 304
1.2	volute casing				ductile iron 300 PSI GGG50
1.3	volute casing				cast steel ASTMA216WCB
*2.1	impeller wearing	125V250-02-1	cast iron ASTMA48CL 30		
*2.2	impeller wearing			125V250-02-2	brass
*2.3	impeller wearing			125V250-02-3	bronze ASTMB584C87400
*2.4	impeller wearing			125V250-02-4	stainless steel 304
3	motor shaft key	125V250-03	steel		
*4	impeller	125V250-04-1	cast iron ASTMA48CL 30	125V250-04-2	brass
4	impeller			125V250-04-3	bronze ASTMB584C87400
4	impeller			125V250-04-4	stainless steel 304
*5	casing wearing	125V250-05-1	cast iron ASTMA48CL 30	125V250-05-2	brass
5	casing wearing			125V250-05-3	bronze ASTMB584C87400
5	casing wearing			125V250-05-4	stainless steel 18-8 open designation
6	bracket	125V250-06	cast iron ASTMA48CL 30 (advise motor frame)		
*7	mechanical seal	125V250-07	buna/silicone carbide w/stainless steel		clients choice
8	mechanical seal cover	125V250-08	cast iron ASTMA48CL 30		
*9	split coupling	125V250-09	cast iron ASTMA48CL 30 (advise motor frame)		
10	washer	125V250-10	stainless steel		
11	motor connection flange	125V250-11	cast iron ASTMA48CL 30		
12	holding bolt and washer	125V250-12	steel		
13	drain plug	125V250-13	steel		
14	impeller bolt	125V250-14	stainless steel		
15	flush line	125V250-15	stainless steel		
*16	bearing bushing	125V250-16	bronze ASTMB584C87400		
*17	pump shaft	125V250-17	stainless steel		
19	pump shaft key	125V250-19	steel		
*20	casing gasket	125V250-20	fiber gasket vellumoid		

*	recommended spares				PAGE 1 OF 1
Series	3405C model 4X4X12 125V315				
NO	PARTS NAME	PART NUMBER	STANDARD MATERIAL	PART NUMBER	OPTIONAL MATERIAL
1	volute casing	125V315-01	cast iron ASTMA48CL 30		bronze ASTMB584C87400
1.1	volute casing				stainless steel 304
1.2	volute casing				ductile iron 300 PSI GGG50
1.3	volute casing				cast steel ASTMA216WCB
*2.1	impeller wearing	125V315-02-1	cast iron ASTMA48CL 30		
*2.2	impeller wearing			125V315-02-2	brass
*2.3	impeller wearing			125V315-02-3	bronze ASTMB584C87400
*2.4	impeller wearing			125V315-02-4	stainless steel 304
3	motor shaft key	125V315-03	steel		
*4	impeller	125V315-04-1	cast iron ASTMA48CL 30	125V315-04-2	brass
4	impeller			125V315-04-3	bronze ASTMB584C87400
4	impeller			125V315-04-4	stainless steel 304
*5	casing wearing	125V315-05-1	cast iron ASTMA48CL 30	125V315-05-2	brass
5	casing wearing			125V315-05-3	bronze ASTMB584C87400
5	casing wearing			125V315-05-4	stainless steel 18-8 open designation
6	bracket	125V315-06	cast iron ASTMA48CL 30 (advise motor frame)		
*7	mechanical seal	125V315-07	buna/silicone carbide w/stainless steel		clients choice
8	mechanical seal cover	125V315-08	cast iron ASTMA48CL 30		
*9	split coupling	125V315-09	cast iron ASTMA48CL 30 (advise motor frame)		
10	washer	125V315-10	stainless steel		
11	motor connection flange	125V315-11	cast iron ASTMA48CL 30		
12	holding bolt and washer	125V315-12	steel		
13	drain plug	125V315-13	steel		
14	impeller bolt	125V315-14	stainless steel		
15	flush line	125V315-15	stainless steel		
*16	bearing bushing	125V315-16	bronze ASTMB584C87400		
*17	pump shaft	125V315-17	stainless steel		
19	pump shaft key	125V315-19	steel		
*20	casing gasket	125V315-20	fiber gasket vellumoid		

*	recommended spares				PAGE 1 OF 1
Series	8405C model EX0X8.5 150V200				
NO	PARTS NAME	PART NUMBER	STANDARD MATERIAL	PART NUMBER	OPTIONAL MATERIAL
1	volute casing	150V200-01	cast iron ASTMA48CL 30		bronze ASTMB584C87400
1.1	volute casing				stainless steel 304
1.2	volute casing				ductile iron 300 PSI GGG50
1.3	volute casing				cast steel ASTMA216WCB
*2.1	impeller wearing	150V200-02-1	cast iron ASTMA48CL 30		
*2.2	impeller wearing			150V200-02-2	brass
*2.3	impeller wearing			150V200-02-3	bronze ASTMB584C87400
*2.4	impeller wearing			150V200-02-4	stainless steel 304
3	motor shaft key	150V200-03	steel		
*4	impeller	150V200-04-1	cast iron ASTMA48CL 30	150V200-04-2	brass
4	impeller			150V200-04-3	bronze ASTMB584C87400
4	impeller			150V200-04-4	stainless steel 304
*5	casing wearing	150V200-05-1	cast iron ASTMA48CL 30	150V200-05-2	brass
5	casing wearing			150V200-05-3	bronze ASTMB584C87400
5	casing wearing			150V200-05-4	stainless steel 18-8 open designation
6	bracket	150V200-06	cast iron ASTMA48CL 30 (advise motor frame)		
*7	mechanical seal	150V200-07	buna/silicone carbide w/stainless steel		clients choice
8	mechanical seal cover	150V200-08	cast iron ASTMA48CL 30		
*9	split coupling	150V200-09	cast iron ASTMA48CL 30 (advise motor frame)		
10	washer	150V200-10	stainless steel		
11	motor connection flange	150V200-11	cast iron ASTMA48CL 30		
12	holding bolt and washer	150V200-12	steel		
13	drain plug	150V200-13	steel		
14	impeller bolt	150V200-14	stainless steel		
15	flush line	150V200-15	stainless steel		
*16	bearing bushing	150V200-16	bronze ASTMB584C87400		
*17	pump shaft	150V200-17	stainless steel		
19	pump shaft key	150V200-19	steel		
*20	casing gasket	150V200-20	fiber gasket vellumoid		

*	recommended spares				PAGE 1 OF 1
Series	840SC model 6X6X10 2 150V250				
NO	PARTS NAME	PART NUMBER	STANDARD MATERIAL	PART NUMBER	OPTIONAL MATERIAL
1	volute casing	150V250-01	cast iron ASTMA48CL 30		bronze ASTMB584C87400
1.1	volute casing				stainless steel 304
1.2	volute casing				ductile iron 300 PSI GGG50
1.3	volute casing				cast steel ASTMA216WCB
*2.1	impeller wearing	150V250-02-1	cast iron ASTMA48CL 30		
*2.2	impeller wearing			150V250-02-2	brass
*2.3	impeller wearing			150V250-02-3	bronze ASTMB584C87400
*2.4	impeller wearing			150V250-02-4	stainless steel 304
3	motor shaft key	150V250-03	steel		
*4	impeller	150V250-04-1	cast iron ASTMA48CL 30	150V250-04-2	brass
4	impeller			150V250-04-3	bronze ASTMB584C87400
4	impeller			150V250-04-4	stainless steel 304
*5	casing wearing	150V250-05-1	cast iron ASTMA48CL 30	150V250-05-2	brass
5	casing wearing			150V250-05-3	bronze ASTMB584C87400
5	casing wearing			150V250-05-4	stainless steel 18-8 open designation
6	bracket	150V250-06	cast iron ASTMA48CL 30 (advise motor frame)		
*7	mechanical seal	150V250-07	buna/silicone carbide w/stainless steel		clients choice
8	mechanical seal cover	150V250-08	cast iron ASTMA48CL 30		
*9	split coupling	150V250-09	cast iron ASTMA48CL 30 (advise motor frame)		
10	washer	150V250-10	stainless steel		
11	motor connection flange	150V250-11	cast iron ASTMA48CL 30		
12	holding bolt and washer	150V250-12	steel		
13	drain plug	150V250-13	steel		
14	impeller bolt	150V250-14	stainless steel		
15	flush line	150V250-15	stainless steel		
*16	bearing bushing	150V250-16	bronze ASTMB584C87400		
*17	pump shaft	150V250-17	stainless steel		
19	pump shaft key	150V250-19	steel		
*20	casing gasket	150V250-20	fiber gasket vellumoid		

*	recommended spares				PAGE 1 OF 1
Series	440SC model 6XEX1C-9 150V315				
NO	PARTS NAME	PART NUMBER	STANDARD MATERIAL	PART NUMBER	OPTIONAL MATERIAL
1	volute casing	150V315-01	cast iron ASTMA48CL 30		bronze ASTMB584C87400
1.1	volute casing				stainless steel 304
1.2	volute casing				ductile iron 300 PSI GGG50
1.3	volute casing				cast steel ASTMA216WCB
*2.1	impeller wearing	150V315-02-1	cast iron ASTMA48CL 30		
*2.2	impeller wearing			150V315-02-2	brass
*2.3	impeller wearing			150V315-02-3	bronze ASTMB584C87400
*2.4	impeller wearing			150V315-02-4	stainless steel 304
3	motor shaft key	150V315-03	steel		
*4	impeller	150V315-04-1	cast iron ASTMA48CL 30	150V315-04-2	brass
4	impeller			150V315-04-3	bronze ASTMB584C87400
4	impeller			150V315-04-4	stainless steel 304
*5	casing wearing	150V315-05-1	cast iron ASTMA48CL 30	150V315-05-2	brass
5	casing wearing			150V315-05-3	bronze ASTMB584C87400
5	casing wearing			150V315-05-4	stainless steel 18-8 open designation
6	bracket	150V315-06	cast iron ASTMA48CL 30 (advise motor frame)		
*7	mechanical seal	150V315-07	buna/silicone carbide w/stainless steel		clients choice
8	mechanical seal cover	150V315-08	cast iron ASTMA48CL 30		
*9	split coupling	150V315-09	cast iron ASTMA48CL 30 (advise motor frame)		
10	washer	150V315-10	stainless steel		
11	motor connection flange	150V315-11	cast iron ASTMA48CL 30		
12	holding bolt and washer	150V315-12	steel		
13	drain plug	150V315-13	steel		
14	impeller bolt	150V315-14	stainless steel		
15	flush line	150V315-15	stainless steel		
*16	bearing bushing	150V315-16	bronze ASTMB584C87400		
*17	pump shaft	150V315-17	stainless steel		
19	pump shaft key	150V315-19	steel		
*20	casing gasket	150V315-20	fiber gasket vellumoid		

*	recommended spares				PAGE 1 OF 1
Series	840SC model 5X6X15 S 150V400				
NO	PARTS NAME	PART NUMBER	STANDARD MATERIAL	PART NUMBER	OPTIONAL MATERIAL
1	volute casing	150V400-01	cast iron ASTMA48CL 30		bronze ASTMB584C87400
1.1	volute casing				stainless steel 304
1.2	volute casing				ductile iron 300 PSI GGG50
1.3	volute casing				cast steel ASTMA216WCB
*2.1	impeller wearing	150V400-02-1	cast iron ASTMA48CL 30		
*2.2	impeller wearing			150V400-02-2	brass
*2.3	impeller wearing			150V400-02-3	bronze ASTMB584C87400
*2.4	impeller wearing			150V400-02-4	stainless steel 304
3	motor shaft key	150V400-03	steel		
*4	impeller	150V400-04-1	cast iron ASTMA48CL 30	150V400-04-2	brass
4	impeller			150V400-04-3	bronze ASTMB584C87400
4	impeller			150V400-04-4	stainless steel 304
*5	casing wearing	150V400-05-1	cast iron ASTMA48CL 30	150V400-05-2	brass
5	casing wearing			150V400-05-3	bronze ASTMB584C87400
5	casing wearing			150V400-05-4	stainless steel 18-8 open designation
6	bracket	150V400-06	cast iron ASTMA48CL 30 (advise motor frame)		
*7	mechanical seal	150V400-07	buna/silicone carbide w/stainless steel		clients choice
8	mechanical seal cover	150V400-08	cast iron ASTMA48CL 30		
*9	split coupling	150V400-09	cast iron ASTMA48CL 30 (advise motor frame)		
10	washer	150V400-10	stainless steel		
11	motor connection flange	150V400-11	cast iron ASTMA48CL 30		
12	holding bolt and washer	150V400-12	steel		
13	drain plug	150V400-13	steel		
14	impeller bolt	150V400-14	stainless steel		
15	flush line	150V400-15	stainless steel		
*16	bearing bushing	150V400-16	bronze ASTMB584C87400		
*17	pump shaft	150V400-17	stainless steel		
19	pump shaft key	150V400-19	steel		
*20	casing gasket	150V400-20	fiber gasket vellumoid		

*	recommended spares				PAGE 1 OF 1
Series	340SC model BX BX 5 200V200				
NO	PARTS NAME	PART NUMBER	STANDARD MATERIAL	PART NUMBER	OPTIONAL MATERIAL
1	volute casing	200V200-01	cast iron ASTMA48CL 30		bronze ASTMB584C87400
1.1	volute casing				stainless steel 304
1.2	volute casing				ductile iron 300 PSI GGG50
1.3	volute casing				cast steel ASTMA216WCB
*2.1	impeller wearing	200V200-02-1	cast iron ASTMA48CL 30		
*2.2	impeller wearing			200V200-02-2	brass
*2.3	impeller wearing			200V200-02-3	bronze ASTMB584C87400
*2.4	impeller wearing			200V200-02-4	stainless steel 304
3	motor shaft key	200V200-03	steel		
*4	impeller	200V200-04-1	cast iron ASTMA48CL 30	200V200-04-2	brass
4	impeller			200V200-04-3	bronze ASTMB584C87400
4	impeller			200V200-04-4	stainless steel 304
*5	casing wearing	200V200-05-1	cast iron ASTMA48CL 30	200V200-05-2	brass
5	casing wearing			200V200-05-3	bronze ASTMB584C87400
5	casing wearing			200V200-05-4	stainless steel 18-8 open designation
6	bracket	200V200-06	cast iron ASTMA48CL 30 (advise motor frame)		
*7	mechanical seal	200V200-07	buna/silicone carbide w/stainless steel		clients choice
8	mechanical seal cover	200V200-08	cast iron ASTMA48CL 30		
*9	split coupling	200V200-09	cast iron ASTMA48CL 30 (advise motor frame)		
10	washer	200V200-10	stainless steel		
11	motor connection flange	200V200-11	cast iron ASTMA48CL 30		
12	holding bolt and washer	200V200-12	steel		
13	drain plug	200V200-13	steel		
14	impeller bolt	200V200-14	stainless steel		
15	flush line	200V200-15	stainless steel		
*16	bearing bushing	200V200-16	bronze ASTMB584C87400		
*17	pump shaft	200V200-17	stainless steel		
19	pump shaft key	200V200-19	steel		
*20	casing gasket	200V200-20	fiber gasket vellumoid		

*	recommended spares				PAGE 1 OF 1
Series	9405C model 8X5X10 / 200V250				
NO	PARTS NAME	PART NUMBER	STANDARD MATERIAL	PART NUMBER	OPTIONAL MATERIAL
1	volute casing	200V250-01	cast iron ASTMA48CL 30		bronze ASTMB584C87400
1.1	volute casing				stainless steel 304
1.2	volute casing				ductile iron 300 PSI GGG50
1.3	volute casing				cast steel ASTMA216WCB
*2.1	impeller wearing	200V250-02-1	cast iron ASTMA48CL 30		
*2.2	impeller wearing			200V250-02-2	brass
*2.3	impeller wearing			200V250-02-3	bronze ASTMB584C87400
*2.4	impeller wearing			200V250-02-4	stainless steel 304
3	motor shaft key	200V250-03	steel		
*4	impeller	200V250-04-1	cast iron ASTMA48CL 30	200V250-04-2	brass
4	impeller			200V250-04-3	bronze ASTMB584C87400
4	impeller			200V250-04-4	stainless steel 304
*5	casing wearing	200V250-05-1	cast iron ASTMA48CL 30	200V250-05-2	brass
5	casing wearing			200V250-05-3	bronze ASTMB584C87400
5	casing wearing			200V250-05-4	stainless steel 18-8 open designation
6	bracket	200V250-06	cast iron ASTMA48CL 30 (advise motor frame)		
*7	mechanical seal	200V250-07	buna/silicone carbide w/stainless steel		clients choice
8	mechanical seal cover	200V250-08	cast iron ASTMA48CL 30		
*9	split coupling	200V250-09	cast iron ASTMA48CL 30 (advise motor frame)		
10	washer	200V250-10	stainless steel		
11	motor connection flange	200V250-11	cast iron ASTMA48CL 30		
12	holding bolt and washer	200V250-12	steel		
13	drain plug	200V250-13	steel		
14	impeller bolt	200V250-14	stainless steel		
15	flush line	200V250-15	stainless steel		
*16	bearing bushing	200V250-16	bronze ASTMB584C87400		
*17	pump shaft	200V250-17	stainless steel		
19	pump shaft key	200V250-19	steel		
*20	casing gasket	200V250-20	fiber gasket vellumoid		

*	recommended spares				PAGE 1 OF 1
Series	340SC model 8X3X12 T9 200V315				
NO	PARTS NAME	PART NUMBER	STANDARD MATERIAL	PART NUMBER	OPTIONAL MATERIAL
1	volute casing	200V315-01	cast iron ASTMA48CL 30		bronze ASTMB584C87400
1.1	volute casing				stainless steel 304
1.2	volute casing				ductile iron 300 PSI GGG50
1.3	volute casing				cast steel ASTMA216WCB
*2.1	impeller wearing	200V315-02-1	cast iron ASTMA48CL 30		
*2.2	impeller wearing			200V315-02-2	brass
*2.3	impeller wearing			200V315-02-3	bronze ASTMB584C87400
*2.4	impeller wearing			200V315-02-4	stainless steel 304
3	motor shaft key	200V315-03	steel		
*4	impeller	200V315-04-1	cast iron ASTMA48CL 30	200V315-04-2	brass
4	impeller			200V315-04-3	bronze ASTMB584C87400
4	impeller			200V315-04-4	stainless steel 304
*5	casing wearing	200V315-05-1	cast iron ASTMA48CL 30	200V315-05-2	brass
5	casing wearing			200V315-05-3	bronze ASTMB584C87400
5	casing wearing			200V315-05-4	stainless steel 18-8 open designation
6	bracket	200V315-06	cast iron ASTMA48CL 30 (advise motor frame)		
*7	mechanical seal	200V315-07	buna/silicone carbide w/stainless steel		clients choice
8	mechanical seal cover	200V315-08	cast iron ASTMA48CL 30		
*9	split coupling	200V315-09	cast iron ASTMA48CL 30 (advise motor frame)		
10	washer	200V315-10	stainless steel		
11	motor connection flange	200V315-11	cast iron ASTMA48CL 30		
12	holding bolt and washer	200V315-12	steel		
13	drain plug	200V315-13	steel		
14	impeller bolt	200V315-14	stainless steel		
15	flush line	200V315-15	stainless steel		
*16	bearing bushing	200V315-16	bronze ASTMB584C87400		
*17	pump shaft	200V315-17	stainless steel		
19	pump shaft key	200V315-19	steel		
*20	casing gasket	200V315-20	fiber gasket vellumoid		

	recommended spares				PAGE 3 OF 4
Series	84050 model XXX15 04 200V400				
NO	PARTS NAME	PART NUMBER	STANDARD MATERIAL	PART NUMBER	OPTIONAL MATERIAL
1	volute casing	200V400-01	cast iron ASTMA48CL 30		bronze ASTMB584C87400
1.1	volute casing				stainless steel 304
1.2	volute casing				ductile iron 300 PSI GGG50
1.3	volute casing				cast steel ASTMA216WCB
*2.1	impeller wearing	200V400-02-1	cast iron ASTMA48CL 30		
*2.2	impeller wearing			200V400-02-2	brass
*2.3	impeller wearing			200V400-02-3	bronze ASTMB584C87400
*2.4	impeller wearing			200V400-02-4	stainless steel 304
3	motor shaft key	200V400-03	steel		
*4	impeller	200V400-04-1	cast iron ASTMA48CL 30	200V400-04-2	brass
4	impeller			200V400-04-3	bronze ASTMB584C87400
4	impeller			200V400-04-4	stainless steel 304
*5	casing wearing	200V400-05-1	cast iron ASTMA48CL 30	200V400-05-2	brass
5	casing wearing			200V400-05-3	bronze ASTMB584C87400
5	casing wearing			200V400-05-4	stainless steel 18-8 open designation
6	bracket	200V400-06	cast iron ASTMA48CL 30 (advise motor frame)		
*7	mechanical seal	200V400-07	buna/silicone carbide w/stainless steel		clients choice
8	mechanical seal cover	200V400-08	cast iron ASTMA48CL 30		
*9	split coupling	200V400-09	cast iron ASTMA48CL 30 (advise motor frame)		
10	washer	200V400-10	stainless steel		
11	motor connection flange	200V400-11	cast iron ASTMA48CL 30		
12	holding bolt and washer	200V400-12	steel		
13	drain plug	200V400-13	steel		
14	impeller bolt	200V400-14	stainless steel		
15	flush line	200V400-15	stainless steel		
*16	bearing bushing	200V400-16	bronze ASTMB584C87400		
*17	pump shaft	200V400-17	stainless steel		
19	pump shaft key	200V400-19	steel		
*20	casing gasket	200V400-20	fiber gasket vellumoid		

*	recommended spares				PAGE 1 OF 1
Series	R408C model 10X10X 117 250V315				
NO	PARTS NAME	PART NUMBER	STANDARD MATERIAL	PART NUMBER	OPTIONAL MATERIAL
1	volute casing	250V315-01	cast iron ASTMA48CL 30		bronze ASTMB584C87400
1.1	volute casing				stainless steel 304
1.2	volute casing				ductile iron 300 PSI GGG50
1.3	volute casing				cast steel ASTMA216WCB
*2.1	impeller wearing	250V315-02-1	cast iron ASTMA48CL 30		
*2.2	impeller wearing			250V315-02-2	brass
*2.3	impeller wearing			250V315-02-3	bronze ASTMB584C87400
*2.4	impeller wearing			250V315-02-4	stainless steel 304
3	motor shaft key	250V315-03	steel		
*4	impeller	250V315-04-1	cast iron ASTMA48CL 30	250V315-04-2	brass
4	impeller			250V315-04-3	bronze ASTMB584C87400
4	impeller			250V315-04-4	stainless steel 304
*5	casing wearing	250V315-05-1	cast iron ASTMA48CL 30	250V315-05-2	brass
5	casing wearing			250V315-05-3	bronze ASTMB584C87400
5	casing wearing			250V315-05-4	stainless steel 18-8 open designation
6	bracket	250V315-06	cast iron ASTMA48CL 30 (advise motor frame)		
*7	mechanical seal	250V315-07	buna/silicone carbide w/stainless steel		clients choice
8	mechanical seal cover	250V315-08	cast iron ASTMA48CL 30		
*9	split coupling	250V315-09	cast iron ASTMA48CL 30 (advise motor frame)		
10	washer	250V315-10	stainless steel		
11	motor connection flange	250V315-11	cast iron ASTMA48CL 30		
12	holding bolt and washer	250V315-12	steel		
13	drain plug	250V315-13	steel		
14	impeller bolt	250V315-14	stainless steel		
15	flush line	250V315-15	stainless steel		
*16	bearing bushing	250V315-16	bronze ASTMB584C87400		
*17	pump shaft	250V315-17	stainless steel		
19	pump shaft key	250V315-19	steel		
*20	casing gasket	250V315-20	fiber gasket vellumoid		

*	recommended spares				PAGE 1 OF 1
Series	840SC model 10X10X17 250V400				
NO	PARTS NAME	PART NUMBER	STANDARD MATERIAL	PART NUMBER	OPTIONAL MATERIAL
1	volute casing	250V400-01	cast iron ASTMA48CL 30		bronze ASTMB584C87400
1.1	volute casing				stainless steel 304
1.2	volute casing				ductile iron 300 PSI GGG50
1.3	volute casing				cast steel ASTMA216WCB
*2.1	impeller wearing	250V400-02-1	cast iron ASTMA48CL 30		
*2.2	impeller wearing			250V400-02-2	brass
*2.3	impeller wearing			250V400-02-3	bronze ASTMB584C87400
*2.4	impeller wearing			250V400-02-4	stainless steel 304
3	motor shaft key	250V400-03	steel		
*4	impeller	250V400-04-1	cast iron ASTMA48CL 30	250V400-04-2	brass
4	impeller			250V400-04-3	bronze ASTMB584C87400
4	impeller			250V400-04-4	stainless steel 304
*5	casing wearing	250V400-05-1	cast iron ASTMA48CL 30	250V400-05-2	brass
5	casing wearing			250V400-05-3	bronze ASTMB584C87400
5	casing wearing			250V400-05-4	stainless steel 18-8 open designation
6	bracket	250V400-06	cast iron ASTMA48CL 30 (advise motor frame)		
*7	mechanical seal	250V400-07	buna/silicone carbide w/stainless steel		clients choice
8	mechanical seal cover	250V400-08	cast iron ASTMA48CL 30		
*9	split coupling	250V400-09	cast iron ASTMA48CL 30 (advise motor frame)		
10	washer	250V400-10	stainless steel		
11	motor connection flange	250V400-11	cast iron ASTMA48CL 30		
12	holding bolt and washer	250V400-12	steel		
13	drain plug	250V400-13	steel		
14	impeller bolt	250V400-14	stainless steel		
15	flush line	250V400-15	stainless steel		
*16	bearing bushing	250V400-16	bronze ASTMB584C87400		
*17	pump shaft	250V400-17	stainless steel		
19	pump shaft key	250V400-19	steel		
*20	casing gasket	250V400-20	fiber gasket vellumoid		

*	recommended spares				PAGE 1 OF 1
Series	BMOSC Model 12X 12X 1 300V315				
NO	PARTS NAME	PART NUMBER	STANDARD MATERIAL	PART NUMBER	OPTIONAL MATERIAL
1	volute casing	300V315-01	cast iron ASTMA48CL 30		bronze ASTMB584C87400
1.1	volute casing				stainless steel 304
1.2	volute casing				ductile iron 300 PSI GGG50
1.3	volute casing				cast steel ASTMA216WCB
*2.1	impeller wearing	300V315-02-1	cast iron ASTMA48CL 30		
*2.2	impeller wearing			300V315-02-2	brass
*2.3	impeller wearing			300V315-02-3	bronze ASTMB584C87400
*2.4	impeller wearing			300V315-02-4	stainless steel 304
3	motor shaft key	300V315-03	steel		
*4	impeller	300V315-04-1	cast iron ASTMA48CL 30	300V315-04-2	brass
4	impeller			300V315-04-3	bronze ASTMB584C87400
4	impeller			300V315-04-4	stainless steel 304
*5	casing wearing	300V315-05-1	cast iron ASTMA48CL 30	300V315-05-2	brass
5	casing wearing			300V315-05-3	bronze ASTMB584C87400
5	casing wearing			300V315-05-4	stainless steel 18-8 open designation
6	bracket	300V315-06	cast iron ASTMA48CL 30 (advise motor frame)		
*7	mechanical seal	300V315-07	buna/silicone carbide w/stainless steel		clients choice
8	mechanical seal cover	300V315-08	cast iron ASTMA48CL 30		
*9	split coupling	300V315-09	cast iron ASTMA48CL 30 (advise motor frame)		
10	washer	300V315-10	stainless steel		
11	motor connection flange	300V315-11	cast iron ASTMA48CL 30		
12	holding bolt and washer	300V315-12	steel		
13	drain plug	300V315-13	steel		
14	impeller bolt	300V315-14	stainless steel		
15	flush line	300V315-15	stainless steel		
*16	bearing bushing	300V315-16	bronze ASTMB584C87400		
*17	pump shaft	300V315-17	stainless steel		
19	pump shaft key	300V315-19	steel		
*20	casing gasket	300V3015-20	fiber gasket vellumoid		

*	recommended spares				PAGE 1 OF 1
Series	2405C model 12X12X15.5 300V235				
NO	PARTS NAME	PART NUMBER	STANDARD MATERIAL	PART NUMBER	OPTIONAL MATERIAL
1	volute casing	300V235-01	cast iron ASTMA48CL 30		bronze ASTMB584C87400
1.1	volute casing				stainless steel 304
1.2	volute casing				ductile iron 300 PSI GGG50
1.3	volute casing				cast steel ASTMA216WCB
*2.1	impeller wearing	300V235-02-1	cast iron ASTMA48CL 30		
*2.2	impeller wearing			300V235-02-2	brass
*2.3	impeller wearing			300V235-02-3	bronze ASTMB584C87400
*2.4	impeller wearing			300V235-02-4	stainless steel 304
3	motor shaft key	300V235-03	steel		
*4	impeller	300V235-04-1	cast iron ASTMA48CL 30	300V235-04-2	brass
4	impeller			300V235-04-3	bronze ASTMB584C87400
4	impeller			300V235-04-4	stainless steel 304
*5	casing wearing	300V235-05-1	cast iron ASTMA48CL 30	300V235-05-2	brass
5	casing wearing			300V235-05-3	bronze ASTMB584C87400
5	casing wearing			300V235-05-4	stainless steel 18-8 open designation
6	bracket	300V235-06	cast iron ASTMA48CL 30 (advise motor frame)		
*7	mechanical seal	300V235-07	buna/silicone carbide w/stainless steel		clients choice
8	mechanical seal cover	300V235-08	cast iron ASTMA48CL 30		
*9	split coupling	300V235-09	cast iron ASTMA48CL 30 (advise motor frame)		
10	washer	300V235-10	stainless steel		
11	motor connection flange	300V235-11	cast iron ASTMA48CL 30		
12	holding bolt and washer	300V235-12	steel		
13	drain plug	300V235-13	steel		
14	impeller bolt	300V235-14	stainless steel		
15	flush line	300V235-15	stainless steel		
*16	bearing bushing	300V235-16	bronze ASTMB584C87400		
*17	pump shaft	300V235-17	stainless steel		
19	pump shaft key	300V235-19	steel		
*20	casing gasket	300V235-20	fiber gasket vellumoid		

*	recommended spares				PAGE 1 OF 4
Serial	840SC model 12X12X1 300V400				
NO	PARTS NAME	PART NUMBER	STANDARD MATERIAL	PART NUMBER	OPTIONAL MATERIAL
1	volute casing	300V400-01	cast iron ASTMA48CL 30		bronze ASTMB584C87400
1.1	volute casing				stainless steel 304
1.2	volute casing				ductile iron 300 PSI GGG50
1.3	volute casing				cast steel ASTMA216WCB
*2.1	impeller wearing	300V400-02-1	cast iron ASTMA48CL 30		
*2.2	impeller wearing			300V400-02-2	brass
*2.3	impeller wearing			300V400-02-3	bronze ASTMB584C87400
*2.4	impeller wearing			300V400-02-4	stainless steel 304
3	motor shaft key	300V400-03	steel		
*4	impeller	300V400-04-1	cast iron ASTMA48CL 30	300V400-04-2	brass
4	impeller			300V400-04-3	bronze ASTMB584C87400
4	impeller			300V400-04-4	stainless steel 304
*5	casing wearing	300V400-05-1	cast iron ASTMA48CL 30	300V400-05-2	brass
5	casing wearing			300V400-05-3	bronze ASTMB584C87400
5	casing wearing			300V400-05-4	stainless steel 18-8 open designation
6	bracket	300V400-06	cast iron ASTMA48CL 30 (advise motor frame)		
*7	mechanical seal	300V400-07	buna/silicone carbide w/stainless steel		clients choice
8	mechanical seal cover	300V400-08	cast iron ASTMA48CL 30		
*9	split coupling	300V400-09	cast iron ASTMA48CL 30 (advise motor frame)		
10	washer	300V400-10	stainless steel		
11	motor connection flange	300V400-11	cast iron ASTMA48CL 30		
12	holding bolt and washer	300V400-12	steel		
13	drain plug	300V400-13	steel		
14	impeller bolt	300V400-14	stainless steel		
15	flush line	300V400-15	stainless steel		
*16	bearing bushing	300V400-16	bronze ASTMB584C87400		
*17	pump shaft	300V400-17	stainless steel		
19	pump shaft key	300V400-19	steel		
*20	casing gasket	300V400-20	fiber gasket vellumoid		

*	recommended spares				PAGE 1 OF 1
Series	MQSC model 120 2X 1 4 300V300				
NO	PARTS NAME	PART NUMBER	STANDARD MATERIAL	PART NUMBER	OPTIONAL MATERIAL
1	volute casing	300V300-01	cast iron ASTMA48CL 30		bronze ASTMB584C87400
1.1	volute casing				stainless steel 304
1.2	volute casing				ductile iron 300 PSI GGG50
1.3	volute casing				cast steel ASTMA216WCB
*2.1	impeller wearing	300V300-02-1	cast iron ASTMA48CL 30		
*2.2	impeller wearing			300V300-02-2	brass
*2.3	impeller wearing			300V300-02-3	bronze ASTMB584C87400
*2.4	impeller wearing			300V300-02-4	stainless steel 304
3	motor shaft key	300V300-03	steel		
*4	impeller	300V300-04-1	cast iron ASTMA48CL 30	300V300-04-2	brass
4	impeller			300V300-04-3	bronze ASTMB584C87400
4	impeller			300V300-04-4	stainless steel 304
*5	casing wearing	300V300-05-1	cast iron ASTMA48CL 30	300V300-05-2	brass
5	casing wearing			300V300-05-3	bronze ASTMB584C87400
5	casing wearing			300V300-05-4	stainless steel 18-8 open designation
6	bracket	300V300-06	cast iron ASTMA48CL 30 (advise motor frame)		
*7	mechanical seal	300V300-07	buna/silicone carbide w/stainless steel		clients choice
8	mechanical seal cover	300V300-08	cast iron ASTMA48CL 30		
*9	split coupling	300V300-09	cast iron ASTMA48CL 30 (advise motor frame)		
10	washer	300V300-10	stainless steel		
11	motor connection flange	300V300-11	cast iron ASTMA48CL 30		
12	holding bolt and washer	300V300-12	steel		
13	drain plug	300V300-13	steel		
14	impeller bolt	300V300-14	stainless steel		
15	flush line	300V300-15	stainless steel		
*16	bearing bushing	300V300-16	bronze ASTMB584C87400		
*17	pump shaft	300V300-17	stainless steel		
19	pump shaft key	300V300-19	steel		
*20	casing gasket	300V300-20	fiber gasket vellumoid		

*	recommended spares				PAGE 1 OF *
Series	9405C model 12X12X22 # 300V380				
NO	PARTS NAME	PART NUMBER	STANDARD MATERIAL	PART NUMBER	OPTIONAL MATERIAL
1	volute casing	300V380-01	cast iron ASTMA48CL 30		bronze ASTMB584C87400
1.1	volute casing				stainless steel 304
1.2	volute casing				ductile iron 300 PSI GGG50
1.3	volute casing				cast steel ASTMA216WCB
*2.1	impeller wearing	300V380-02-1	cast iron ASTMA48CL 30		
*2.2	impeller wearing			300V380-02-2	brass
*2.3	impeller wearing			300V380-02-3	bronze ASTMB584C87400
*2.4	impeller wearing			300V380-02-4	stainless steel 304
3	motor shaft key	300V380-03	steel		
*4	impeller	300V380-04-1	cast iron ASTMA48CL 30	300V380-04-2	brass
4	impeller			300V380-04-3	bronze ASTMB584C87400
4	impeller			300V380-04-4	stainless steel 304
*5	casing wearing	300V380-05-1	cast iron ASTMA48CL 30	300V380-05-2	brass
5	casing wearing			300V380-05-3	bronze ASTMB584C87400
5	casing wearing			300V380-05-4	stainless steel 18-8 open designation
6	bracket	300V380-06	cast iron ASTMA48CL 30 (advise motor frame)		
*7	mechanical seal	300V380-07	buna/silicone carbide w/stainless steel		clients choice
8	mechanical seal cover	300V380-08	cast iron ASTMA48CL 30		
*9	split coupling	300V380-09	cast iron ASTMA48CL 30 (advise motor frame)		
10	washer	300V380-10	stainless steel		
11	motor connection flange	300V380-11	cast iron ASTMA48CL 30		
12	holding bolt and washer	300V380-12	steel		
13	drain plug	300V380-13	steel		
14	impeller bolt	300V380-14	stainless steel		
15	flush line	300V380-15	stainless steel		
*16	bearing bushing	300V380-16	bronze ASTMB584C87400		
*17	pump shaft	300V380-17	stainless steel		
19	pump shaft key	300V380-19	steel		
*20	casing gasket	300V380-20	fiber gasket vellumoid		

	recommended spares				PAGE 1 OF 1
Series	MACSC model 14X14X13 350V300				
NO	PARTS NAME	PART NUMBER	STANDARD MATERIAL	PART NUMBER	OPTIONAL MATERIAL
1	volute casing	350V300-01	cast iron ASTMA48CL 30		bronze ASTMB584C87400
1.1	volute casing				stainless steel 304
1.2	volute casing				ductile iron 300 PSI GGG50
1.3	volute casing				cast steel ASTMA216WCB
*2.1	impeller wearing	350V300-02-1	cast iron ASTMA48CL 30		
*2.2	impeller wearing			350V300-02-2	brass
*2.3	impeller wearing			350V300-02-3	bronze ASTMB584C87400
*2.4	impeller wearing			350V300-02-4	stainless steel 304
3	motor shaft key	350V300-03	steel		
*4	impeller	350V300-04-1	cast iron ASTMA48CL 30	350V300-04-2	brass
4	impeller			350V300-04-3	bronze ASTMB584C87400
4	impeller			350V300-04-4	stainless steel 304
*5	casing wearing	350V300-05-1	cast iron ASTMA48CL 30	350V300-05-2	brass
5	casing wearing			350V300-05-3	bronze ASTMB584C87400
5	casing wearing			350V300-05-4	stainless steel 18-8 open designation
6	bracket	350V300-06	cast iron ASTMA48CL 30 (advise motor frame)		
*7	mechanical seal	350V300-07	buna/silicone carbide w/stainless steel		clients choice
8	mechanical seal cover	350V300-08	cast iron ASTMA48CL 30		
*9	split coupling	350V300-09	cast iron ASTMA48CL 30 (advise motor frame)		
10	washer	350V300-10	stainless steel		
11	motor connection flange	350V300-11	cast iron ASTMA48CL 30		
12	holding bolt and washer	350V300-12	steel		
13	drain plug	350V300-13	steel		
14	impeller bolt	350V300-14	stainless steel		
15	flush line	350V300-15	stainless steel		
*16	bearing bushing	350V300-16	bronze ASTMB584C87400		
*17	pump shaft	350V300-17	stainless steel		
19	pump shaft key	350V300-19	steel		
*20	casing gasket	350V300-20	fiber gasket vellumoid		

*	recommended spares				PAGE 1 OF 1
Series	840SC model 14X14X16 350V400				
NO	PARTS NAME	PART NUMBER	STANDARD MATERIAL	PART NUMBER	OPTIONAL MATERIAL
1	volute casing	350V400-01	cast iron ASTMA48CL 30		bronze ASTMB584C87400
1.1	volute casing				stainless steel 304
1.2	volute casing				ductile iron 300 PSI GGG50
1.3	volute casing				cast steel ASTMA216WCB
*2.1	impeller wearing	350V400-02-1	cast iron ASTMA48CL 30		
*2.2	impeller wearing			350V400-02-2	brass
*2.3	impeller wearing			350V400-02-3	bronze ASTMB584C87400
*2.4	impeller wearing			350V400-02-4	stainless steel 304
3	motor shaft key	350V400-03	steel		
*4	impeller	350V400-04-1	cast iron ASTMA48CL 30	350V400-04-2	brass
4	impeller			350V400-04-3	bronze ASTMB584C87400
4	impeller			350V400-04-4	stainless steel 304
*5	casing wearing	350V400-05-1	cast iron ASTMA48CL 30	350V400-05-2	brass
5	casing wearing			350V400-05-3	bronze ASTMB584C87400
5	casing wearing			350V400-05-4	stainless steel 18-8 open designation
6	bracket	350V400-06	cast iron ASTMA48CL 30 (advise motor frame)		
*7	mechanical seal	350V400-07	buna/silicone carbide w/stainless steel		clients choice
8	mechanical seal cover	350V400-08	cast iron ASTMA48CL 30		
*9	split coupling	350V400-09	cast iron ASTMA48CL 30 (advise motor frame)		
10	washer	350V400-10	stainless steel		
11	motor connection flange	350V400-11	cast iron ASTMA48CL 30		
12	holding bolt and washer	350V400-12	steel		
13	drain plug	350V400-13	steel		
14	impeller bolt	350V400-14	stainless steel		
15	flush line	350V400-15	stainless steel		
*16	bearing bushing	350V400-16	bronze ASTMB584C87400		
*17	pump shaft	350V400-17	stainless steel		
19	pump shaft key	350V400-19	steel		
*20	casing gasket	350V400-20	fiber gasket vellumoid		

*	recommended spares				PAGE 1 OF 1
Series	8405C model 10X16 500V355				
NO	PARTS NAME	PART NUMBER	STANDARD MATERIAL	PART NUMBER	OPTIONAL MATERIAL
1	volute casing	500V355-01	cast iron ASTMA48CL 30		bronze ASTMB584C87400
1.1	volute casing				stainless steel 304
1.2	volute casing				ductile iron 300 PSI GGG50
1.3	volute casing				cast steel ASTMA216WCB
*2.1	impeller wearing	500V355-02-1	cast iron ASTMA48CL 30		
*2.2	impeller wearing			500V355-02-2	brass
*2.3	impeller wearing			500V355-02-3	bronze ASTMB584C87400
*2.4	impeller wearing			500V355-02-4	stainless steel 304
3	motor shaft key	500V355-03	steel		
*4	impeller	500V355-04-1	cast iron ASTMA48CL 30	500V355-04-2	brass
4	impeller			500V355-04-3	bronze ASTMB584C87400
4	impeller			500V355-04-4	stainless steel 304
*5	casing wearing	500V355-05-1	cast iron ASTMA48CL 30	500V355-05-2	brass
5	casing wearing			500V355-05-3	bronze ASTMB584C87400
5	casing wearing			500V355-05-4	stainless steel 18-8 open designation
6	bracket	500V355-06	cast iron ASTMA48CL 30 (advise motor frame)		
*7	mechanical seal	500V355-07	buna/silicone carbide w/stainless steel		clients choice
8	mechanical seal cover	500V355-08	cast iron ASTMA48CL 30		
*9	split coupling	500V355-09	cast iron ASTMA48CL 30 (advise motor frame)		
10	washer	500V355-10	stainless steel		
11	motor connection flange	500V355-11	cast iron ASTMA48CL 30		
12	holding bolt and washer	500V355-12	steel		
13	drain plug	500V355-13	steel		
14	impeller bolt	500V355-14	stainless steel		
15	flush line	500V355-15	stainless steel		
*16	bearing bushing	500V355-16	bronze ASTMB584C87400		
*17	pump shaft	500V355-17	stainless steel		
19	pump shaft key	500V355-19	steel		
*20	casing gasket	500V355-20	fiber gasket vellumoid		

*	recommended spares				PAGE 1 OF 3
Series:	540SC model 16X16 500V400				
NO	PARTS NAME	PART NUMBER	STANDARD MATERIAL	PART NUMBER	OPTIONAL MATERIAL
1	volute casing	500V400-01	cast iron ASTMA48CL 30		bronze ASTMB584C87400
1.1	volute casing				stainless steel 304
1.2	volute casing				ductile iron 300 PSI GGG50
1.3	volute casing				cast steel ASTMA216WCB
*2.1	impeller wearing	500V400-02-1	cast iron ASTMA48CL 30		
*2.2	impeller wearing			500V400-02-2	brass
*2.3	impeller wearing			500V400-02-3	bronze ASTMB584C87400
*2.4	impeller wearing			500V400-02-4	stainless steel 304
3	motor shaft key	500V400-03	steel		
*4	impeller	500V400-04-1	cast iron ASTMA48CL 30	500V400-04-2	brass
4	impeller			500V400-04-3	bronze ASTMB584C87400
4	impeller			500V400-04-4	stainless steel 304
*5	casing wearing	500V400-05-1	cast iron ASTMA48CL 30	500V400-05-2	brass
5	casing wearing			500V400-05-3	bronze ASTMB584C87400
5	casing wearing			500V400-05-4	stainless steel 18-8 open designation
6	bracket	500V400-06	cast iron ASTMA48CL 30 (advise motor frame)		
*7	mechanical seal	500V400-07	buna/silicone carbide w/stainless steel		clients choice
8	mechanical seal cover	500V400-08	cast iron ASTMA48CL 30		
*9	split coupling	500V400-09	cast iron ASTMA48CL 30 (advise motor frame)		
10	washer	500V400-10	stainless steel		
11	motor connection flange	500V400-11	cast iron ASTMA48CL 30		
12	holding bolt and washer	500V400-12	steel		
13	drain plug	500V400-13	steel		
14	impeller bolt	500V400-14	stainless steel		
15	flush line	500V400-15	stainless steel		
*16	bearing bushing	500V400-16	bronze ASTMB584C87400		
*17	pump shaft	500V400-17	stainless steel		
19	pump shaft key	500V400-19	steel		
*20	casing gasket	500V400-20	fiber gasket vellumoid		

**SERIES 840SC
PARTS LIST**

VERTICAL IN-LINE WITH SPILT COUPLING 840SC				
**	#	PARTS	STANDARD	OPTIONS
	1	CASING	CAST IRON A48 CL30	BRONZE ASTM B584C87500
	2	IMPELLER WEARING	BRONZE ASTM B584C87500	STAINLESS STEEL 18-8 OPEN DESIGNATION
	3	MOTOR SHAFT KEY	CARBON STEEL - 1045	-----
	4	IMPELLER	BRONZE ASTM B584C87500	CAST IRON A48 CL30
	5	CASING WEARING	BRONZE ASTM B584C87500	STAINLESS STEEL 18-8 OPEN DESIGNATION
	6	BRACKET	CAST IRON A48 CL30	-----
	7	MECHANICAL SEAL	VITON /CERAMIC VS CARBON W / STAINLESS STEEL SPRING	VARIOUS (FOR ASSEMBLY)
	8	MECHANICAL SEAL COVER	CAST IRON A48 CL30	-----
	9	SPLIT COUPLING	CAST IRON A48 CL30	-----
	10	IMPELLER WASHER	STAINLESS STEEL 18-8 OPEN DESIGNATION	-----
	11	SHAFT SLEEVE	BRONZE ASTM B584C87500	-----
	12	HOLDING BOLT & WASHER	STEEL	-----
	13	PLUG	STEEL	-----
	14	IMPELLER BOLT	STAINLESS STEEL 18-8 OPEN DESIGNATION	-----
	15	FLUSH LINE	-----	-----
	16	BEARING BUSHING	-----	-----
	17	PUMP SHAFT	CARBON STEEL 4340 CLEAR ZINC PLATED	-----
	18	-----	-----	-----
	19	PUMP SHAFT KEY	-----	-----
	20	CASING GASKET	FIBER GASKET (VELLUMOID)	-----

** RECOMMENDED SPARE PARTS

DATE: 2011/05/04

