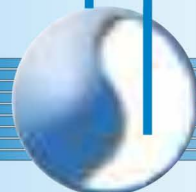


# FLO FAB



Go  
with the  
**FLO**



880RI



880



840

## Vertical In-line Pump Series "800"

Manufacturer of Pumps, Tanks, Heat Exchangers & Accessories  
for HVAC Market After-Sales Parts and Services

Vertical In-line Pump Series "800"

[www.flofab.com](http://www.flofab.com)

FLO FAB INC  
LAKE WORTH,  
FLORIDA, USA



## Series 840SC - 880 - 880RI

FLO FAB In-Line pumps series 840SC, 880, 880RI and 890 are specifically designed for heating, air conditioning and industrial applications.

Suction and discharge nozzles are located 180 Deg apart on the same centerline for mounting directly in a pipe line. This eliminates critical pipe alignment for assembly and minimum pipe strain. The need for costly foundation is eliminated which guarantees minimum space requirements. The motor and bracket assembly can be removed from the casing without disturbing the piping, on some of the above series. The impeller, mechanical seal, bronze shaft sleeve and wearings are therefore accessible for easy maintenance. Mechanical seals and bronze wearings are supplied as standard on all series pumps. A built-in purge system assures proper flushing and venting of seals Standard NEMA frame motors with JM, TC, TD or HP shafts on all models and specially designed for mechanical seal applications. Controlled tolerances and adequate bearings assure long life. Quick disconnect feature simplifies maintenance and saves time. Remove a few bolts from the motor bracket and the motor, bracket and all moving parts can be lifted free of the pump housing. Inspection or maintenance can be performed without disturbing the pump casing or the pipe flanges. The entire units are built according to the quality control specifications of Flo Fab.

### Features

- Completely Assembled
- For Heating, Air conditioning and Industrial Applications.
- Flows up to 14 000 USGPM
- Head up to 650 feet
- Maximum working pressure 150 PSI
- Maximum Temperature 250F.

**In General** The FLO FAB vertical in-line pumps have been developed to give long lasting service with minimum required repairs. The units provides for applications where space is at a minimum and where an economically price rugged unit is required.

**Testing** Pumps are completely tested and data reports are recorded.

**Efficiency** FLO FAB pumps are of high efficiency and have non-overloading characteristics.

**Pump** Vertical in-line bronze fitted pump with closed coupled flanged cast iron casing, leak-proof mechanical shaft seal, large diameter corrosion resistant steel motor shaft, and bronze casing wearing. The mechanical seal permits handling temperatures up to 250oF. The pump is provided with an axial flow impeller enclosed within a cast bronze construction. The entire rotating assembly can be removed without disturbing the piping on some series. Pump motors are built accordingly to the quality control specifications of FLO FAB.

**Motor** Totally enclosed motor is standard. Explosion-proof and open-drip proof motors are available in NEMA standard construction. Motor bearings are sealed and factory greased for extra long trouble-free operation. Single phase fractional Hp motors include built-in thermal overload protection. Motors are available at 1150, 1750 and 3450 RPM. Motor can also be invertor duty type for variable speed applications.



## Series 840SC - 880 - 880RI

Automatic Purge System Liquid flows from high pressure side of impeller across the seal face to the low pressure side of the eye of the impeller. Assures proper lubrication, venting and self cleaning.

Casing Close grained cast iron, heavy section volute type, containing both suction and discharge connections. Casing is machined to register for perfect alignment with coverplate.

\*\*\* Casings are all hydrostatically tested prior to shipment \*\*\*

Flanges Standard 125 pounds ANSI Flanges with pressure gauge tapings.

Shaft Sleeve Bronze with short length minimizing deflection under load conditions.

Impeller One piece enclosed type, bronze, cast iron or stainless steel, high efficiency, precision balanced and accurately bored. The impeller is fastened to the shaft by a key, washers, and stainless steel cap screws.

Full servicing Easy and quick removal to service the impeller and seal.(on series 880RI)

Wear Ring On all models, bronze, easily removable, to protect casing and/or impeller against wear.

Manual Vent Plug To insure positive lubrication at start-up.

Mechanical Seal John Crane suitable for particular service specified. Carbon rotating face, and ceramic seal up to 250°F. A flushing connection can be supplied on request.

Pressure Gauges Connections at the suction and discharge flange.  
Tappings

Drain Plug Is provided for complete draining and flushing of pump.

Motor Quiet Nema JM, TC, TD or HP, TEFC standard or Open-Drip Proof available on most pump models. Can be rotated at 90° intervals for convenient junction box location.

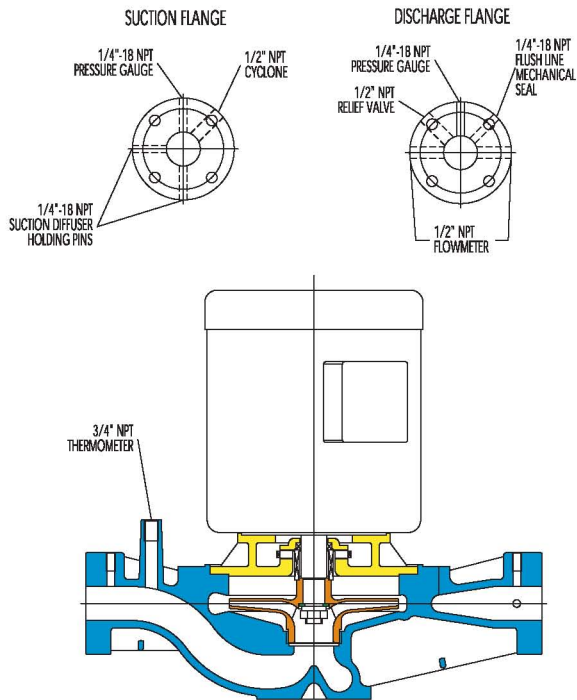
Speeds 3450, 1750 and 1150 RPM

Motor Bracket Closed grained cast iron, heavy section, machined to register for perfect alignment.



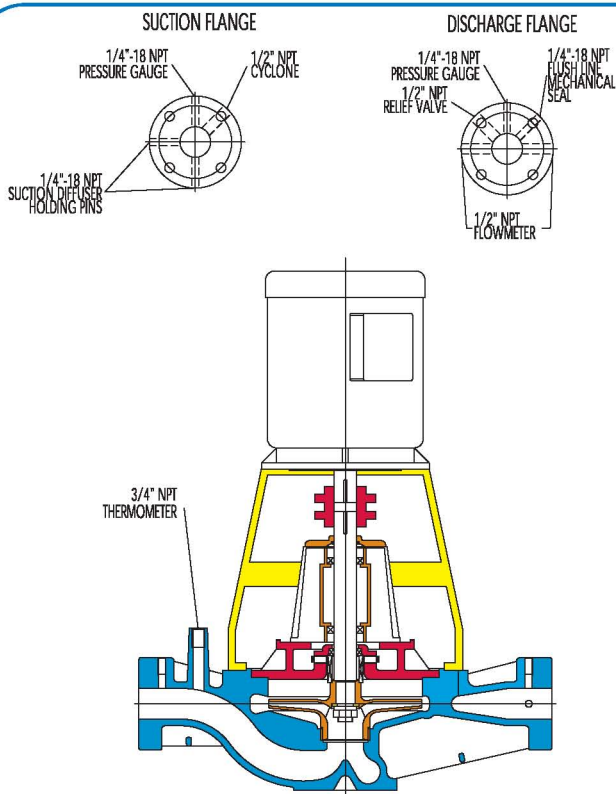


## SERIES 880 & 880RI



### 880

JM large motor shaft directly assembled to the pump and to the motor bracket



### 880RI

A closed grained cast iron coupling is furnished and machined for perfect alignment of the TC motor and pump shaft.

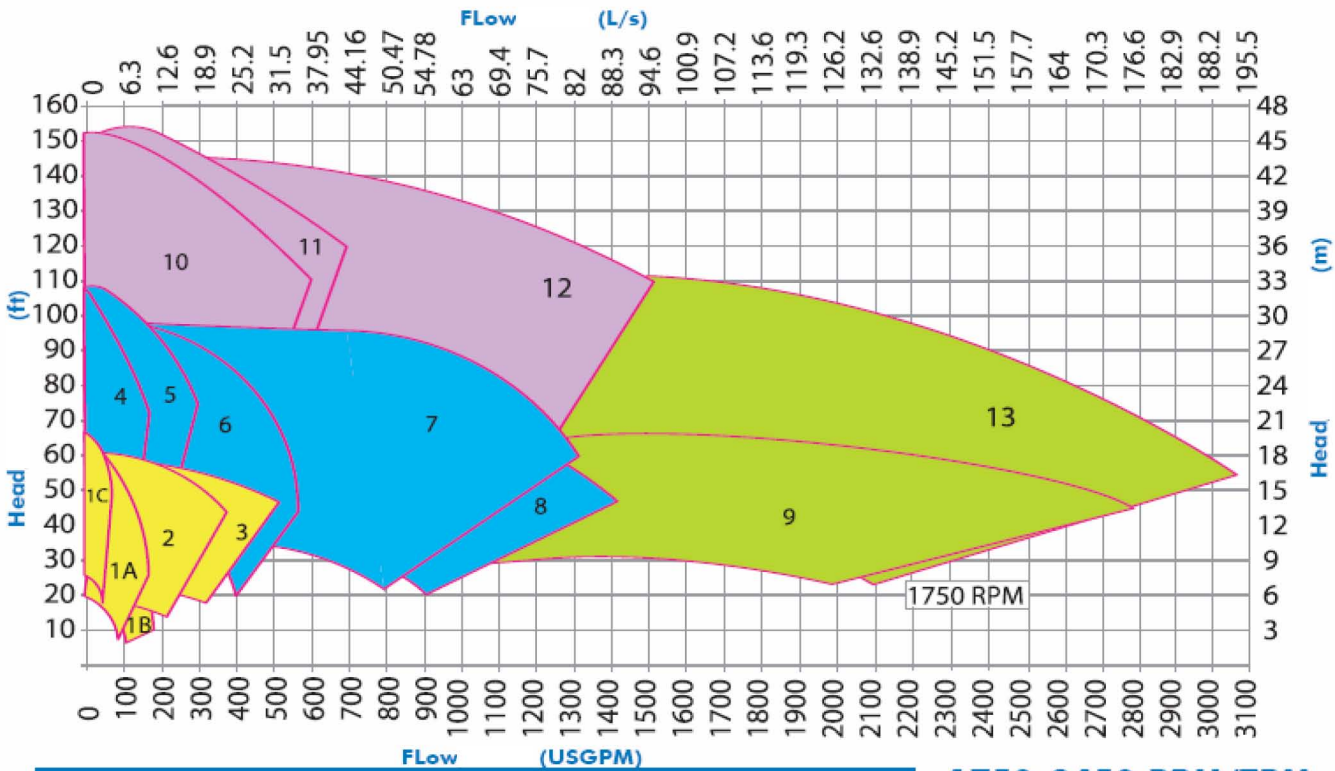
Coupling is easily dismantled for removal and replacement of the mechanical shaft seal, the pump impeller and casing wearings without removing the pump or the motor from the installation.



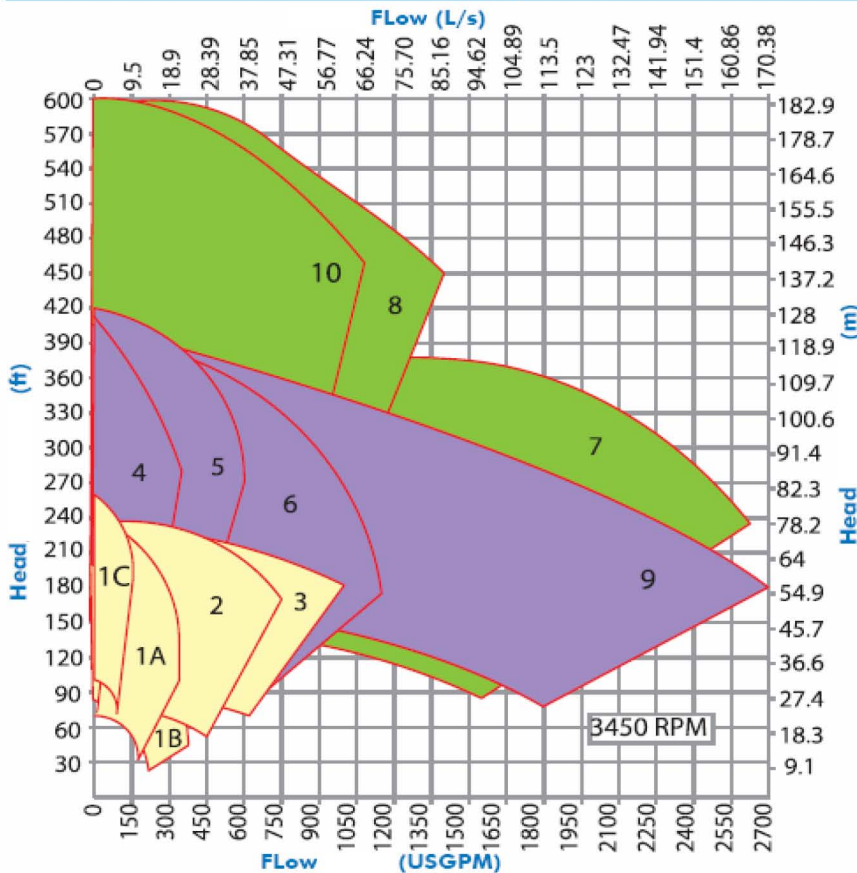


SUBMITTAL DATA SHEET  
 ISSUE DATE: MAY 2008  
 REVISION DATE: MAY 2008

## Performance Curves Serie 880 - 880 RI



### 1750-3450 RPM/TPM Pump Models and Sizes

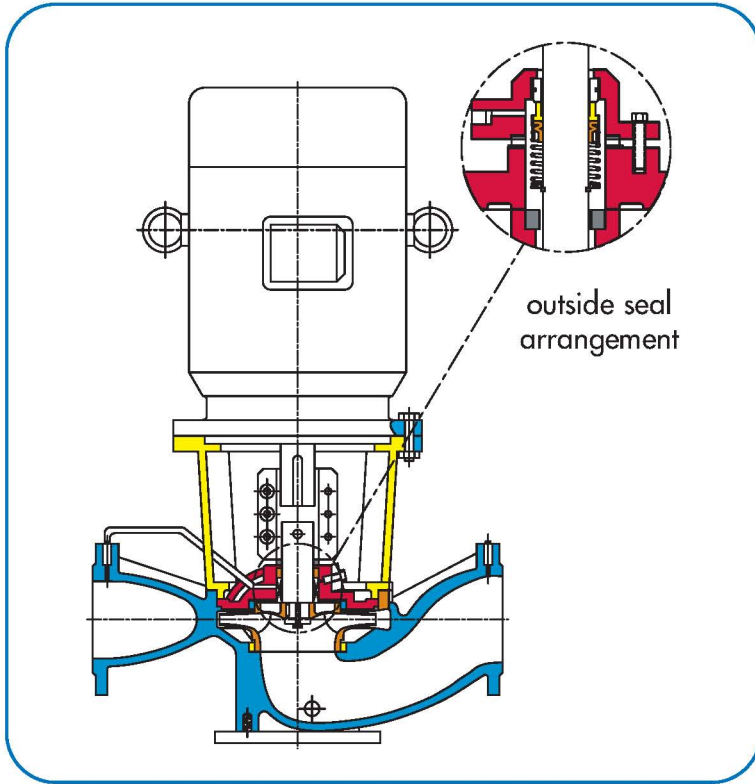


- |    |              |    |             |
|----|--------------|----|-------------|
| 1A | 2 x 2 - 8    | 11 | 4 x 4 - 12  |
| 1B | 2 x 2 - 8B   | 12 | 6 x 6 - 12  |
| 1C | 2 x 2 - 8 LF | 13 | 8 x 8 - 12i |
| 2  | 3 x 3 - 8    |    |             |
| 3  | 4 x 4 - 8    |    |             |
| 4  | 2 x 2 - 10   |    |             |
| 5  | 3 x 3 - 10   |    |             |
| 6  | 4 x 4 - 10   |    |             |
| 7  | 6 x 6 - 10   |    |             |
| 8  | 6 x 6 - 10P  |    |             |
| 9  | 8 x 8 - 10i  |    |             |
| 10 | 3 x 3 - 12   |    |             |
- = Not Available in 880 RI**





## Series 840SC



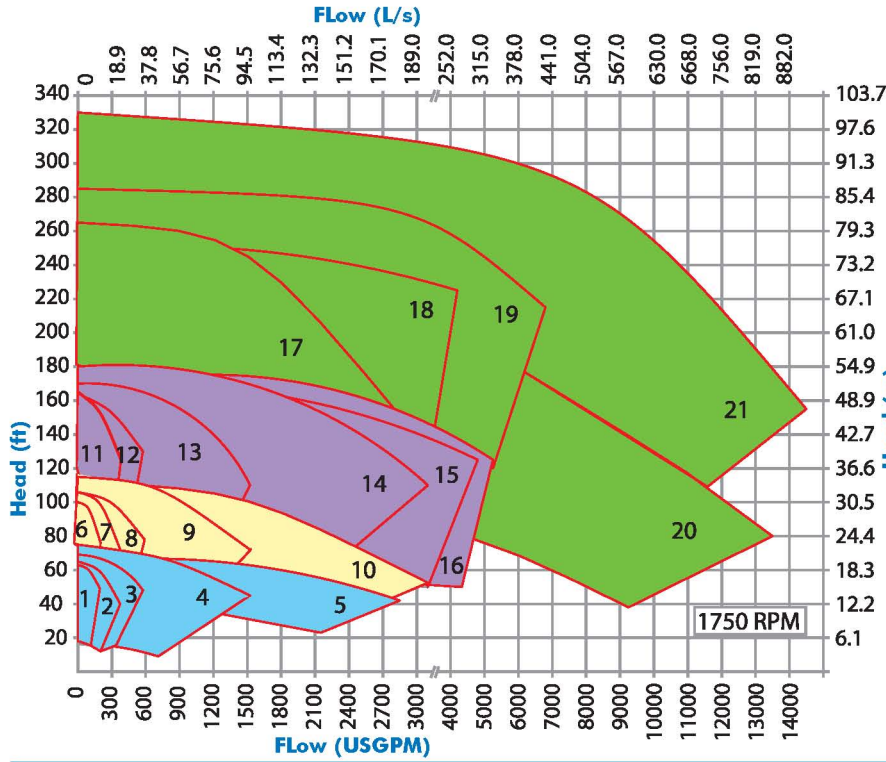
### 840SC

A closed grained cast iron split coupling is furnished and machined for perfect alignment of the HP motor and pump stub shaft. Coupling is easily dismantled for removal and replacement of the mechanical shaft seal without removing the pump or the motor from the installation. Sizes 12" and larger are double suction design.



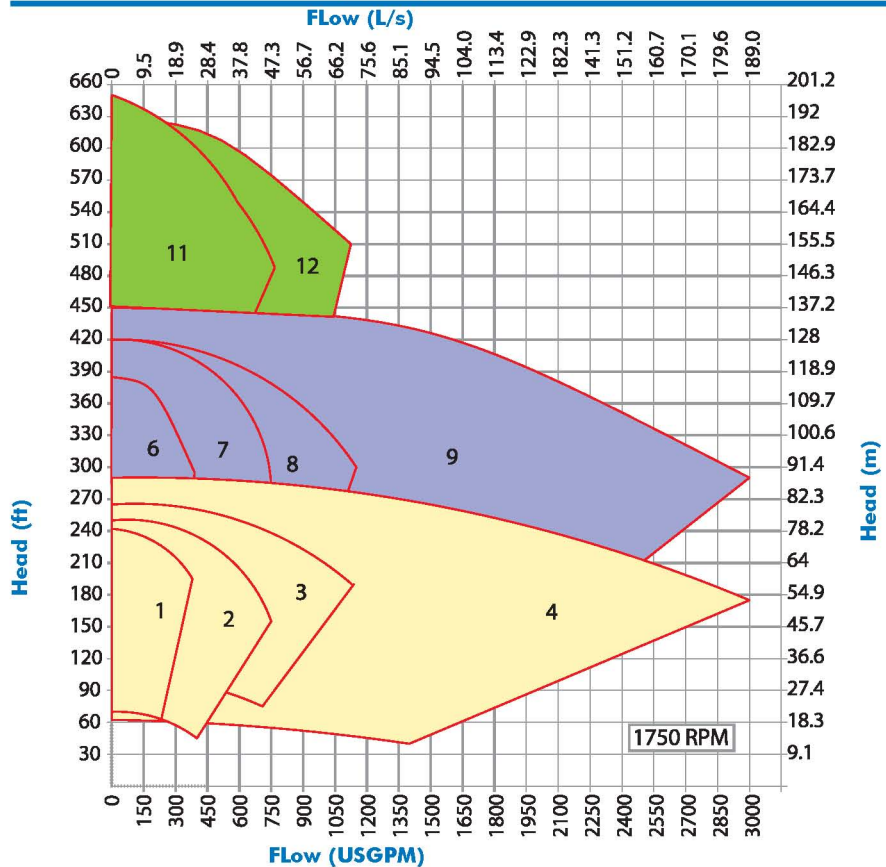
## Performance Curves Series 840SC

SUBMITTAL DATA SHEET  
 ISSUE DATE: MAY 2008  
 REVISION DATE: MAY 2008



### 1750 - 3450 RPM/TPM Pump Models and Sizes

- 1 2 x 2 - 8
- 2 3 x 3 - 8
- 3 4 x 4 - 8
- 4 6 x 6 - 8
- 5 8 x 8 - 8
- 6 2 x 2 - 10
- 7 3 x 3 - 10
- 8 4 x 4 - 10
- 9 6 x 6 - 10
- 10 8 x 8 - 10
- 11 3 x 3 - 12
- 12 4 x 4 - 12
- 13 6 x 6 - 12
- 14 8 x 8 - 12
- 15 10 x 10 - 12
- 16 12 x 12 - 12
- 17 8 x 8 - 16
- 18 10 x 10 - 16
- 19 12 x 12 - 16
- 20 16 x 16 - 15
- 21 16 x 16 - 19



FF

# FLO FAB



**Manufacturer of Pumps, Tanks, Heat Exchangers & Accessories  
for HVAC Market After-Sales Parts and Services**

[www.flofab.com](http://www.flofab.com)

FLO-FAB INC  
LAKE WORTH,  
FLORIDA, USA

SEPTEMBER 2009