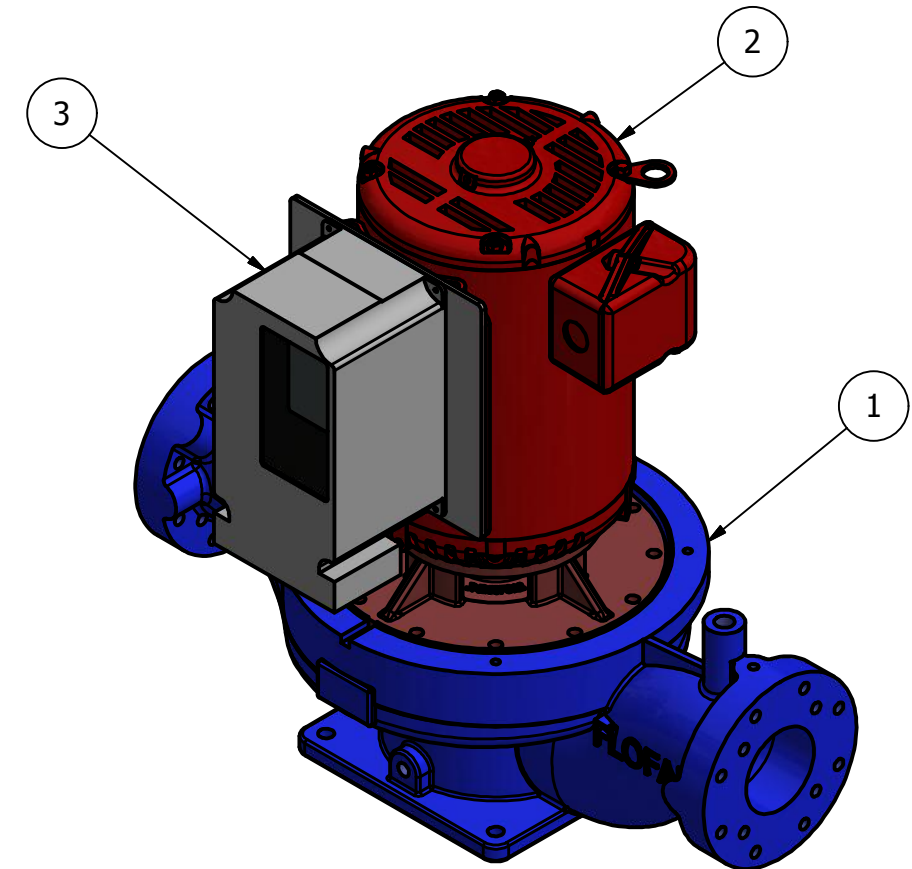
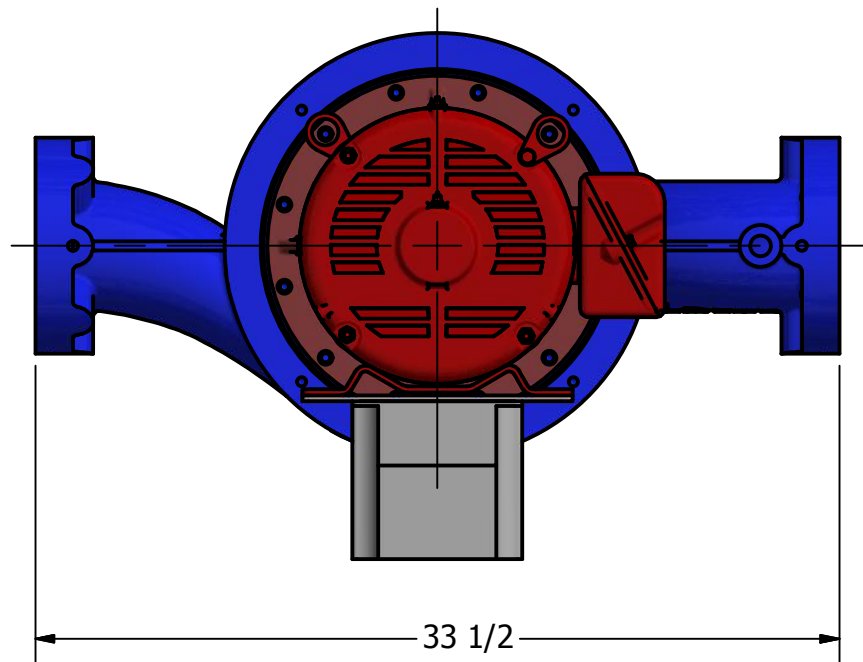
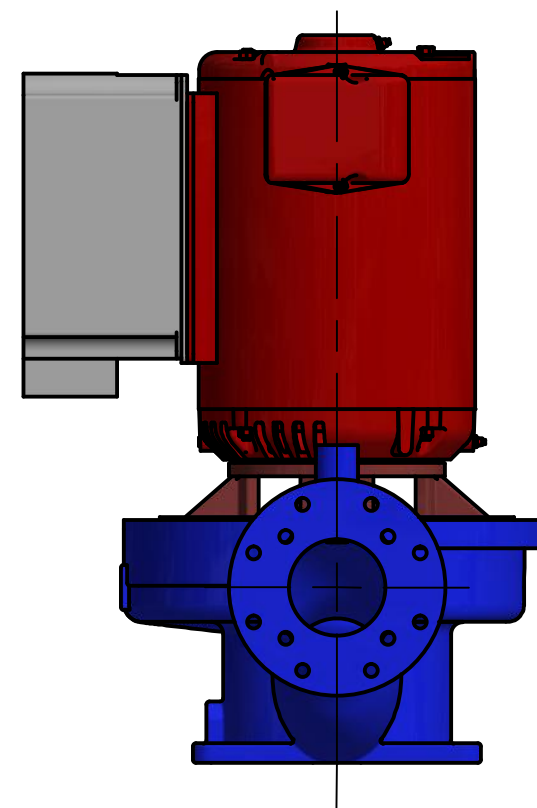
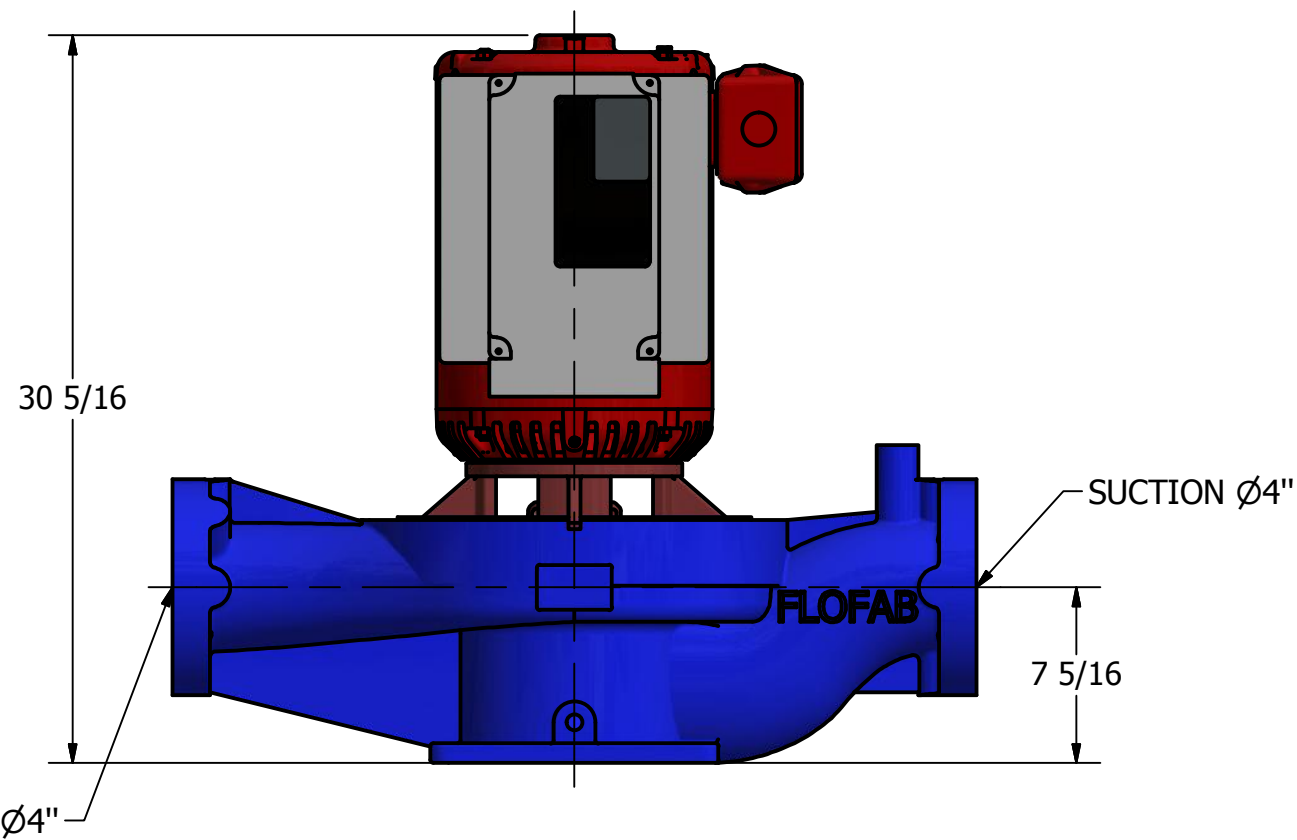


PARTS LIST		
ITE	QTY	DESCRIPTION
1	1	PUMP MODEL: 880-4X4-12
2	1	MOTOR 20HP,1750RPM,3PH,60HZ,256TC,ODP
3	1	VFD - IQP1000-4A0031FAANEMA1



DRAWING %	
FABRICATION	
100%	X
90%	
75%	
50%	
PRELIMINARY	



REVISION HISTORY		
REV	DESCRIPTION	DATE
1	INITIAL DRAWING	02/04/2016
THIS DRAWING MUST BE SENT WITH PURCHASE ORDER		
DESIGNER D.GERMAIN	DATE 02/04/2016	TITLE / TITRE 880 PUMP ASSEMBLY
PROJECT / PROJET		
CUSTOMER / CLIENT		
QUOTE	TAG	
DWG NO.	REV 1	
SCALE / ECHELLE 1:8	JOB NO.	SHEET 1 OF 3



MONTREAL, (QC), CANADA
TORONTO, (ON), CANADA
LAKE WORTH, (FL), USA
WWW.FLOFAB.COM