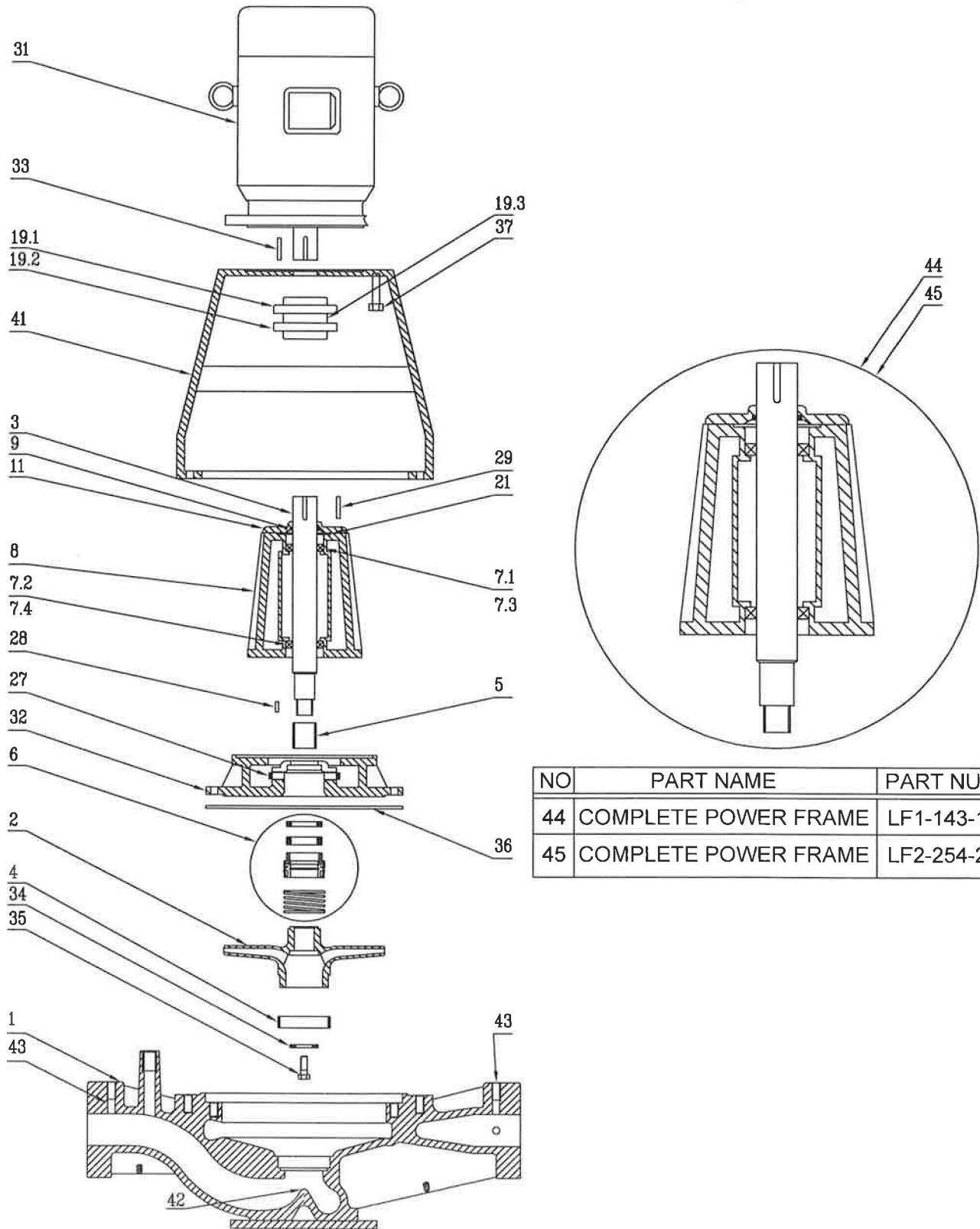



SERIES 880RI PARTS LIST



NO	PART NAME	PART NUMBER
44	COMPLETE POWER FRAME	LF1-143-184JM
45	COMPLETE POWER FRAME	LF2-254-256JM

SERIAL # : _____	TYPE : _____	ID. : _____	 FLO FAB 880, boul. Industriel, Bois-des-Filion, Qc J6Z 4V7 (450) 621-2995
SERIES : <u>880RI</u>	MODEL : _____	DATE : <u>03-05-2011</u>	

* recommended spares					
Series	880RI model 2 X 2 X 8				
NO	PART NAME	PART NUMBER	STANDARD MATERIAL	PART NUMBER	OPTIONAL MATERIAL
1	volute casing	2687414	cast iron ASTMA48CL 30	2687414-B	bronze ASTMB584C87400
1.1	volute casing			2687414-SS	stainless steel 304
1.2	volute casing			2687414-DI	ductile iron 300 PSI GGG50
1.3	volute casing			2687414-CS	cast steel ASTMA216WCB
*2.1	impeller 7/8	V1735-449	bronze ASTMB584C87400	V1735-491	cast iron ASTMA48CL30
*2.2	impeller 7/8			V1735-SS	stainless steel 304
*2.3	impeller 1 1/4	V3289-449	bronze ASTMB584C87400	V3289-491	cast iron ASTMA48CL30
*2.4	impeller 1 1/4			V3289-SS	stainless steel 304
3	pump shaft	SHAFTLF1	stainless steel 304		
3.1	pump shaft	SHAFTLF2	stainless steel 304		
*4	casing wearing	2684006	bronze ASTMB584C87400	2684006-SS	stainless steel 18-8 open designation
*5.1	shaft sleeve 143-215	SLJM1.250B	bronze ASTMB584C87400	SLJM1.250SS	stainless steel 18-8 open designation
*5.2	shaft sleeve 354-326	SLJM1.500B	bronze ASTMB584C87400	SLJM1.500SS	stainless steel 18-8 open designation
*6.1	mechanical seal 143-215	011-S125-21-per	viton/ceramic vs carbon w/stainless steel spring	011-S125-dirt	viton/silicone carbide w/stainless steel
*6.2	mechanical seal 354-326	011-S150-21-per	viton/ceramic vs carbon w/stainless steel spring	011-S150-dirt	viton/silicone carbide w/stainless steel
*7.1	ball bearing outboard F1	002-B62062RS			
*7.2	ball bearing inboard F1	002-B62072Z-NR			
*7.3	ball bearing outboard F2	002-B62092RS			
*7.4	ball bearing inboard F2	002-B62082RS-NR			
8	bearing housing F1	01-BH01	cast iron ASTMA48CL 30		
8.1	bearing housing F2	02-BH02	cast iron ASTMA48CL 30		
*9	radial shaft seal ring	01-SR01	buna N O' ring		
11	bearing cover	01-BC01	cast iron ASTMA48CL 30		
*19.1	half coupling motor side		depending on motor HP		
*19.2	half coupling pump side		depending on pump shaft		
*19.3	coupling insert		depending on coupling size		
*21	gasket bearing housing cover	01-GBC01	fiber gasket vellumoid		
27	air vent valve plug				
28	impeller key		carbon steel ASTMA108G10800		
29	pump shaft key		carbon steel ASTMA108G10800		
SEE PAGE 2 OF 2 FOR MORE PARTS					

* recommended spares
 Series 830RI model 2 X 2 X 3

NO	PART NAME	PART NUMBER	STANDARD MATERIAL	PART NUMBER	OPTIONAL MATERIAL
31	motor				
32.1	bracket 143-215	2683879	cast iron ASTMA48CL 30	2683879-B	bronze ASTMB584C87400
32.2	bracket 143-215			2683879-SS	stainless steel 304
32.3	bracket 143-215			2683879-DI	ductile iron 300 PSI GGG50
32.4	bracket 143-215			2683879-CS	cast steel ASTMA216WCB
32.5	bracket 254-256	2683880	cast iron ASTMA48CL 30	2683880-B	bronze ASTMB584C87400
32.6	bracket 254-256			2683880-SS	stainless steel 304
32.7	bracket 254-256			2683880-DI	ductile iron 300 PSI GGG50
32.8	bracket 254-256			2683880-CS	cast steel ASTMA216WCB
32.9	bracket 284-326	2683882	cast iron ASTMA48CL 30	2683882-B	bronze ASTMB584C87400
32.10	bracket 284-326			2683882-SS	stainless steel 304
32.11	bracket 284-326			2683882-DI	ductile iron 300 PSI GGG50
32.12	bracket 284-326			2683882-CS	cast steel ASTMA216WCB
33	motor shaft key		carbon steel - 1045		stainless steel 18-8 open designation
34.1	impeller washer no 1	WF1-SS	stainless steel 18-8 open designation		
34.2	impeller washer no 2	WF2-SS	stainless steel 18-8 open designation		
35.1	impeller bolt no 1	LBF1-SS	stainless steel 18-8 open designation		
35.2	impeller bolt no 2	LBF2-SS	stainless steel 18-8 open designation		
*36	casing gasket	G-8P	fiber gasket vellumoid		
37	motor bolts		carbon steel ASTMA108G10800		
41	motor bracket 143-215	B8143256TC	cast iron ASTMA48CL 30		
41.1	motor bracket 284-286	B8284286TC	cast iron ASTMA48CL 30		
41.2	motor bracket 324-449	B8324449TC	cast iron ASTMA48CL 30		
42	drain connection		carbon steel ASTMA108G10800		
43	gauge tappings		steel plugs		
*44	complete power frame	LF1-143-184JM	cast iron ASTMA48CL 30		
*45	complete power frame	LF2-254-256JM	cast iron ASTMA48CL 30		

NO	PART NAME	PART NUMBER	STANDARD MATERIAL	PART NUMBER	OPTIONAL MATERIAL
*	recommended spares				
Series	880RI model 3 X 3 X 8				
1	volute casing	2687418	cast iron ASTMA48CL 30	2687418-B	bronze ASTMB584C87400
1.1	volute casing			2687418-SS	stainless steel 304
1.2	volute casing			2687418-DI	ductile iron 300 PSI GGG50
1.3	volute casing			2687418-CS	cast steel ASTMA216WCB
*2.1	impeller 7/8	2683739-449	bronze ASTMB584C87400	2683739-491	cast iron ASTMA48CL30
*2.2	impeller 7/8			2683739-SS	stainless steel 304
*2.3	impeller 1 1/4	2683747-449	bronze ASTMB584C87500	2683747-491	cast iron ASTMA48CL30
*2.4	impeller 1 1/4			2683747-SS	stainless steel 304
3	pump shaft	SHAFTLF1	stainless steel 304		
3.1	pump shaft	SHAFTLF2	stainless steel 304		
*4	casing wearing	V1811	bronze ASTMB584C87400	V1811-SS	stainless steel 18-8 open designation
*5.1	shaft sleeve 143-215	SLJM1.250B	bronze ASTMB584C87400	SLJM1.250SS	stainless steel 18-8 open designation
*5.2	shaft sleeve 354-326	SLJM1.500B	bronze ASTMB584C87400	SLJM1.500SS	stainless steel 18-8 open designation
*6.1	mechanical seal 143-215	011-S125-21-per	viton/ceramic vs carbon w/stainless steel spring	011-S125-dirt	viton/silicone carbide w/stainless steel
*6.2	mechanical seal 354-326	011-S150-21-per	viton/ceramic vs carbon w/stainless steel spring	011-S150-dirt	viton/silicone carbide w/stainless steel
*7.1	ball bearing outboard F1	002-B62062RS			
*7.2	ball bearing inboard F1	002-B62072Z-NR			
*7.3	ball bearing outboard F2	002-B62092RS			
*7.4	ball bearing inboard F2	002-B62082RS-NR			
8	bearing housing F1	01-BH01	cast iron ASTMA48CL 30		
8.1	bearing housing F2	02-BH02	cast iron ASTMA48CL 30		
*9	radial shaft seal ring	01-SR01	buna N O' ring		
11	bearing cover	01-BC01	cast iron ASTMA48CL 30		
*19.1	half coupling motor side		depending on motor HP		
*19.2	half coupling pump side		depending on pump shaft		
*19.3	coupling insert		depending on coupling size		
*21	gasket bearing housing cover	01-GBC01	fiber gasket vellumoid		
27	air vent valve plug				
28	impeller key		carbon steel ASTMA108G10800		
29	pump shaft key		carbon steel ASTMA108G10800		
			SEE PAGE 2 OF 2 FOR MORE PARTS		

* recommended spares					
Series	880R1 model 3 X 3 X 8				
NO	PART NAME	PART NUMBER	STANDARD MATERIAL	PART NUMBER	OPTIONAL MATERIAL
31	motor				
32.1	bracket 143-215	2683879	cast iron ASTMA48CL 30	2683879-B	bronze ASTMB584C87400
32.2	bracket 143-215			2683879-SS	stainless steel 304
32.3	bracket 143-215			2683879-DI	ductile iron 300 PSI GGG50
32.4	bracket 143-215			2683879-CS	cast steel ASTMA216WCB
32.5	bracket 254-256	2683880	cast iron ASTMA48CL 30	2683880-B	bronze ASTMB584C87400
32.6	bracket 254-256			2683880-SS	stainless steel 304
32.7	bracket 254-256			2683880-DI	ductile iron 300 PSI GGG50
32.8	bracket 254-256			2683880-CS	cast steel ASTMA216WCB
32.9	bracket 284-326	2683882	cast iron ASTMA48CL 30	2683882-B	bronze ASTMB584C87400
32.10	bracket 284-326			2683882-SS	stainless steel 304
32.11	bracket 284-326			2683882-DI	ductile iron 300 PSI GGG50
32.12	bracket 284-326			2683882-CS	cast steel ASTMA216WCB
33	motor shaft key		carbon steel - 1045		stainless steel 18-8 open designation
34.1	impeller washer no 1	WF1-SS	stainless steel 18-8 open designation		
34.2	impeller washer no 2	WF2-SS	stainless steel 18-8 open designation		
35.1	impeller bolt no 1	LBF1-SS	stainless steel 18-8 open designation		
35.2	impeller bolt no 2	LBF2-SS	stainless steel 18-8 open designation		
*36	casing gasket	G-8P	fiber gasket vellumoid		
37	motor bolts		carbon steel		
41	motor bracket 143-215	B8143256TC	cast iron ASTMA48CL 30		
41.1	motor bracket 284-286	B8284286TC	cast iron ASTMA48CL 30		
41.2	motor bracket 324-449	B8324449TC	cast iron ASTMA48CL 30		
42	drain connection		carbon steel ASTMA108G10800		
43	gauge tappings		steel plugs		
*44	complete power frame	LF1-143-184JM	cast iron ASTMA48CL 30		
*45	complete power frame	LF2-254-256JM	cast iron ASTMA48CL 30		

* recommended spares					
Series	880R1	model 4 X 4 X 8			
NO	PART NAME	PART NUMBER	STANDARD MATERIAL	PART NUMBER	OPTIONAL MATERIAL
1	volute casing	2687420	cast iron ASTMA48CL 30	2687420-B	bronze ASTMB584C87400
1.1	volute casing			2687420-SS	stainless steel 304
1.2	volute casing			2687420-DI	ductile iron 300 PSI GGG50
1.3	volute casing			2687420-CS	cast steel ASTMA216WCB
*2.1	impeller 7/8	2680864-449	bronze ASTMB584C87400	2680864-491	cast iron ASTMA48CL30
*2.2	impeller 7/8			2680864-SS	stainless steel 304
*2.3	impeller 1 1/4	2680863-449	bronze ASTMB584C87400	2680863-491	cast iron ASTMA48CL30
*2.4	impeller 1 1/4			2680863-SS	stainless steel 304
3	pump shaft	SHAFTLF1	stainless steel 304		
3.1	pump shaft	SHAFTLF2	stainless steel 304		
*4	casing wearing	2691670	bronze ASTMB584C87400	2691670-SS	stainless steel 18-8 open designation
*5.1	shaft sleeve 143-215	SLJM1.250B	bronze ASTMB584C87400	SLJM1.250SS	stainless steel 18-8 open designation
*5.2	shaft sleeve 354-326	SLJM1.500B	bronze ASTMB584C87400	SLJM1.500SS	stainless steel 18-8 open designation
*6.1	mechanical seal 143-215	011-S125-21-per	viton/ceramic vs carbon w/stainless steel spring	011-S125-dirt	viton/silicone carbide w/stainless steel
*6.2	mechanical seal 354-326	011-S150-21-per	viton/ceramic vs carbon w/stainless steel spring	011-S150-dirt	viton/silicone carbide w/stainless steel
*7.1	ball bearing outboard F1	002-B62062RS			
*7.2	ball bearing inboard F1	002-B62072Z-NR			
*7.3	ball bearing outboard F2	002-B62092RS			
*7.4	ball bearing inboard F2	002-B62082RS-NR			
8	bearing housing F1	01-BH01	cast iron ASTMA48CL 30		
8.1	bearing housing F2	02-BH02	cast iron ASTMA48CL 30		
*9	radial shaft seal ring	01-SR01	buna N O' ring		
11	bearing cover	01-BC01	cast iron ASTMA48CL 30		
*19.1	half coupling motor side		depending on motor HP		
*19.2	half coupling pump side		depending on pump shaft		
*19.3	coupling insert		depending on coupling size		
*21	gasket bearing housing cover	01-GBC01	fiber gasket vellumoid		
27	air vent valve plug				
28	impeller key		carbon steel ASTMA108G10800		
29	pump shaft key		carbon steel ASTMA108G10800		
			SEE PAGE 2 OF 2 FOR MORE PARTS		

NO	PART NAME	PART NUMBER	STANDARD MATERIAL	PART NUMBER	OPTIONAL MATERIAL
*	recommended spares				
Series	880Rl model 4 X 4 X 6				
31	motor				
32.1	bracket 143-215	2683879	cast iron ASTMA48CL 30	2683879-B	bronze ASTMB584C87400
32.2	bracket 143-215			2683879-SS	stainless steel 304
32.3	bracket 143-215			2683879-DI	ductile iron 300 PSI GGG50
32.4	bracket 143-215			2683879-CS	cast steel ASTMA216WCB
32.5	bracket 254-256	2683880	cast iron ASTMA48CL 30	2683880-B	bronze ASTMB584C87400
32.6	bracket 254-256			2683880-SS	stainless steel 304
32.7	bracket 254-256			2683880-DI	dustile iron 300 PSI GGG50
32.8	bracket 254-256			2683880-CS	cast steel ASTMA216WCB
32.9	bracket 284-326	2683882	cast iron ASTMA48CL 30	2683882-B	bronze ASTMB584C87400
32.10	bracket 284-326			2683882-SS	stainless steel 304
32.11	bracket 284-326			2683882-DI	ductile iron 300 PSI GGG50
32.12	bracket 284-326			2683882-CS	cast steel ASTMA216WCB
33	motor shaft key		carbon steel - 1045		stainless steel 18-8 open designation
34.1	impeller washer no 1	WF1-SS	stainless steel 18-8 open designation		
34.2	impeller washer no 2	WF2-SS	stainless steel 18-8 open designation		
35.1	impeller bolt no 1	LBF1-SS	stainless steel 18-8 open designation		
35.2	impeller bolt no 2	LBF2-SS	stainless steel 18-8 open designation		
*36	casing gasket	G-8P	fiber gasket vellumoid		
37	motor bolts		carbon steel		
41	motor bracket 143-215	B8143256TC	cast iron ASTMA48CL 30		
41.1	motor bracket 284-286	B8284286TC	cast iron ASTMA48CL 30		
41.2	motor bracket 324-449	B8324449TC	cast iron ASTMA48CL 30		
42	drain connections		carbon steel ASTMA108G10800		
43	gauge tappings		steel plugs		
*44	complete power frame	LF1-143-184JM	cast iron ASTMA48CL 30		
*45	complete power frame	LF2-254-256JM	cast iron ASTMA48CL 30		

* recommended spares					
Series	880RI model 2 X 2 X 10				
NO	PART NAME	PART NUMBER	STANDARD MATERIAL	PART NUMBER	OPTIONAL MATERIAL
1	volute casing	2687422	cast iron ASTMA48CL 30	2687422-B	bronze ASTMB584C87400
1.1	volute casing			2687422-SS	stainless steel 304
1.2	volute casing			2687422-DI	ductile iron 300 PSI GGG50
1.3	volute casing			2687422-CS	cast steel ASTMA216WCB
*2.1	impeller 7/8	2680869-449	bronze ASTMB584C87400	2680869-491	cast iron ASTMA48CL30
*2.2	impeller 7/8			2680869-SS	stainless steel 304
*2.3	impeller 1 1/4	2680870-449	bronze ASTMB584C87400	2680870-491	cast iron ASTMA48CL30
*2.4	impeller 1 1/4			2680870-SS	stainless steel 304
3	pump shaft	SHAFTLF1	stainless steel 304		
3.1	pump shaft	SHAFTLF2	stainless steel 304		
*4	casing wearing	2684006	bronze ASTMB584C87400	2684006-SS	stainless steel 18-8 open designation
*5.1	shaft sleeve 143-215	SLJM1.250B	bronze ASTMB584C87400	SLJM1.250SS	stainless steel 18-8 open designation
*5.2	shaft sleeve 354-326	SLJM1.500B	bronze ASTMB584C87400	SLJM1.500SS	stainless steel 18-8 open designation
*6.1	mechanical seal 143-215	011-S125-21-per	viton/ceramic vs carbon w/stainless steel spring	011-S125-dirt	viton/silicone carbide w/stainless steel
*6.2	mechanical seal 354-326	011-S150-21-per	viton/ceramic vs carbon w/stainless steel spring	011-S150-dirt	viton/silicone carbide w/stainless steel
*7.1	ball bearing outboard F1	002-B62062RS			
*7.2	ball bearing inboard F1	002-B62072Z-NR			
*7.3	ball bearing outboard F2	002-B62092RS			
*7.4	ball bearing inboard F2	002-B62082RS-NR			
8	bearing housing F1	01-BH01	cast iron ASTMA48CL 30		
8.1	bearing housing F2	02-BH02	cast iron ASTMA48CL 30		
*9	radial shaft seal ring	01-SR01	buna N O' ring		
11	bearing cover	01-BC01	cast iron ASTMA48CL 30		
*19.1	half coupling motor side		depending on motor HP		
*19.2	half coupling pump side		depending on pump shaft		
*19.3	coupling insert		depending on coupling size		
*21	gasket bearing housing cover	01-GBC01	fiber gasket vellumoid		
27	air vent valve plug				
28	impeller key		carbon steel ASTMA108G10800		
29	pump shaft key		carbon steel ASTMA108G10800		
SEE PAGE 2 OF 2 FOR MORE PARTS					

* recommended spares					
NO	PART NAME	PART NUMBER	STANDARD MATERIAL	PART NUMBER	OPTIONAL MATERIAL
31	motor				
32.1	bracket 143-215	2683883	cast iron ASTMA48CL 30 F1	2683883-B	bronze ASTMB584C87400
32.2	bracket 143-215			2683883-SS	stainless steel 304
32.3	bracket 143-215			2683883-DI	ductile iron 300 PSI GGG50
32.4	bracket 143-215			2683883-CS	cast steel ASTMA216WCB
32.5	bracket 254-256	2683884	cast iron ASTMA48CL 30 F2	2683884-B	bronze ASTMB584C87400
32.6	bracket 254-256			2683884-SS	stainless steel 304
32.7	bracket 254-256			2683884-DI	ductile iron 300 PSI GGG50
32.8	bracket 254-256			2683884-CS	cast steel ASTMA216WCB
32.9	bracket 284-326	2691995	cast iron ASTMA48CL 30 F2	2691995-B	bronze ASTMB584C87400
32.10	bracket 284-326			2691995-SS	stainless steel 304
32.11	bracket 284-326			2691995-DI	ductile iron 300 PSI GGG50
32.12	bracket 284-326			2691995-CS	cast steel ASTMA216WCB
33	motor shaft key		carbon steel - 1045		stainless steel 18-8 open designation
34.1	impeller washer no 1	WF1-SS	stainless steel 18-8 open designation		
34.2	impeller washer no 2	WF2-SS	stainless steel 18-8 open designation		
35.1	impeller bolt no 1	LBF1-SS	stainless steel 18-8 open designation		
35.2	impeller bolt no 2	LBF2-SS	stainless steel 18-8 open designation		
*36	casing gasket	G-10P	fiber gasket vellumoid		
37	motor bolts		carbon steel		
41	motor bracket 143-215	B10143256TC	cast iron ASTMA48CL 30		
41.1	motor bracket 284-286	B10284286TC	cast iron ASTMA48CL 30		
41.2	motor bracket 324-449	B10324449TC	cast iron ASTMA48CL 30		
42	drain connection		carbon steel ASTMA108G10800		
43	gauge tappings		steel plugs		
*44	complete power frame	LF1-143-184JM	cast iron ASTMA48CL 30		
*45	complete power frame	LF2-254-256JM	cast iron ASTMA48CL 30		

* recommended spares					
Series	380R/ model 3 X 3 X 10				
NO	PART NAME	PART NUMBER	STANDARD MATERIAL	PART NUMBER	OPTIONAL MATERIAL
1	volute casing	2687424	cast iron ASTMA48CL 30	2687424-B	bronze ASTMB584C87400
1.1	volute casing			2687424-SS	stainless steel 304
1.2	volute casing			2687424-DI	ductile iron 300 PSI GGG50
1.3	volute casing			2687424-CS	cast steel ASTMA216WCB
*2.1	impeller 7/8	2684314-449	bronze ASTMB584C87400	2684314-491	cast iron ASTMA48CL30
*2.2	impeller 7/8			2684314-SS	stainless steel 304
*2.3	impeller 1 1/4	2684354-449	bronze ASTMB584C87400	2684354-491	cast iron ASTMA48CL30
*2.4	impeller 1 1/4			2684354-SS	stainless steel 304
3	pump shaft	SHAFTLF1	stainless steel 304		
3.1	pump shaft	SHAFTLF2	stainless steel 304		
*4	casing wearing	V1810-brz	bronze ASTMB584C87400	V1810-SS	stainless steel 18-8 open designation
*5.1	shaft sleeve 143-215	SLJM1.250B	bronze ASTMB584C87400	SLJM1.250SS	stainless steel 18-8 open designation
*5.2	shaft sleeve 354-326	SLJM1.500B	bronze ASTMB584C87400	SLJM1.500SS	stainless steel 18-8 open designation
*6.1	mechanical seal 143-215	011-S125-21-per	viton/ceramic vs carbon w/stainless steel spring	011-S125-dirt	viton/silicone carbide w/stainless steel
*6.2	mechanical seal 354-326	011-S150-21-per	viton/ceramic vs carbon w/stainless steel spring	011-S150-dirt	viton/silicone carbide w/stainless steel
*7.1	ball bearing outboard F1	002-B62062RS			
*7.2	ball bearing inboard F1	002-B62072Z-NR			
*7.3	ball bearing outboard F2	002-B62092RS			
*7.4	ball bearing inboard F2	002-B62082RS-NR			
8	bearing housing F1	01-BH01	cast iron ASTMA48CL 30		
8.1	bearing housing F2	02-BH02	cast iron ASTMA48CL 30		
*9	radial shaft seal ring	01-SR01	buna N O' ring		
11	bearing cover	01-BC01	cast iron ASTMA48CL 30		
*19.1	half coupling motor side		depending on motor HP		
*19.2	half coupling pump side		depending on pump shaft		
*19.3	coupling insert		depending on coupling size		
*21	gasket bearing housing cover	01-GBC01	fiber gasket vellumoid		
27	air vent valve plug				
28	impeller key		carbon steel ASTMA108G10800		
29	pump shaft key		carbon steel ASTMA108G10800		
SEE PAGE 2 FOR MORE PARTS					

* recommended spares					
Series	880RI 3 X 3 X 10				
NO	PART NAME	PART NUMBER	STANDARD MATERIAL	PART NUMBER	OPTIONAL MATERIAL
31	motor				
32.1	bracket 143-215	2683883	cast iron ASTMA48CL 30 F1	2683883-B	bronze ASTMB584C87400
32.2	bracket 143-215			2683883-SS	stainless steel 304
32.3	bracket 143-215			2683883-DI	ductile iron 300 PSI GGG50
32.4	bracket 143-215			2683883-CS	cast steel ASTMA216WCB
32.5	bracket 254-256	2683884	cast iron ASTMA48CL 30 F2	2683884-B	bronze ASTMB584C87400
32.6	bracket 254-256			2683884-SS	stainless steel 304
32.7	bracket 254-256			2683884-DI	ductile iron 300 PSI GGG50
32.8	bracket 254-256			2683884-CS	cast steel ASTMA216WCB
32.9	bracket 284-326	2691995	cast iron ASTMA48CL 30 F2	2691995-B	bronze ASTMB584C87400
32.10	bracket 284-326			2691995-SS	stainless steel 304
32.11	bracket 284-326			2691995-DI	ductile iron 300 PSI GGG50
32.12	bracket 284-326			2691995-CS	cast steel ASTMA216WCB
33	motor shaft key		carbon steel - 1045		stainless steel 18-8 open designation
34.1	impeller washer no 1	WF1-SS	stainless steel 18-8 open designation		
34.2	impeller washer no 2	WF2-SS	stainless steel 18-8 open designation		
35.1	impeller bolt no 1	LBF1-SS	stainless steel 18-8 open designation		
35.2	impeller bolt no 2	LBF2-SS	stainless steel 18-8 open designation		
*36	casing gasket	G-10P	fiber gasket vellumoid		
37	motor bolts		carbon steel		
41	motor bracket 143-215	B10143256TC	cast iron ASTMA48CL 30		
41.1	motor bracket 284-286	B10284286TC	cast iron ASTMA48CL 30		
41.2	motor bracket 324-449	B10324449TC	cast iron ASTMA48CL 30		
42	drain connection		carbon steel ASTMA108G10800		
43	gauge tappings		steel plugs		
*44	complete power frame	LF1-143-184JM	cast iron ASTMA48CL 30		
*45	complete power frame	LF2-254-256JM	cast iron ASTMA48CL 30		

* recommended spares					
Series	880RI model 4 X 4 X 10				
NO	PART NAME	PART NUMBER	STANDARD MATERIAL	PART NUMBER	OPTIONAL MATERIAL
1	volute casing	2687426	cast iron ASTMA48CL 30	2687426-B	bronze ASTMB584C87400
1.1	volute casing			2687426-SS	stainless steel 304
1.2	volute casing			2687426-DI	ductile iron 300 PSI GGG50
1.3	volute casing			26857426-CS	cast steel ASTMA216WCB
*2.1	impeller 7/8	2684315-449	bronze ASTMB584C87400	2684315-491	cast iron ASTMA48CL30
*2.2	impeller 7/8			2684315-SS	stainless steel 304
*2.3	impeller 1 1/4	2684353-449	bronze ASTMB584C87400	2684353-491	cast iron ASTMA48CL30
*2.4	impeller 1 1/4			2684353-SS	stainless steel 304
3	pump shaft	SHAFTLF1	stainless steel 304		
3.1	pump shaft	SHAFTLF2	stainless steel 304		
*4	casing wearing	V1811	bronze ASTMB584C87400	V1811-SS	stainless steel 18-8 open designation
*5.1	shaft sleeve 143-215	SLJM1.250B	bronze ASTMB584C87400	SLJM1.250SS	stainless steel 18-8 open designation
*5.2	shaft sleeve 354-326	SLJM1.500B	bronze ASTMB584C87400	SLJM1.500SS	stainless steel 18-8 open designation
*6.1	mechanical seal 143-215	011-S125-21-per	viton/ceramic vs carbon w/stainless steel spring	011-S125-dirt	viton/silicone carbide w/stainless steel
*6.2	mechanical seal 354-326	011-S150-21-per	viton/ceramic vs carbon w/stainless steel spring	011-S150-dirt	viton/silicone carbide w/stainless steel
*7.1	ball bearing outboard F1	002-B62062RS			
*7.2	ball bearing inboard F1	002-B62072Z-NR			
*7.3	ball bearing outboard F2	002-B62092RS			
*7.4	ball bearing inboard F2	002-B62082RS-NR			
8	bearing housing F1	01-BH01	cast iron ASTMA48CL 30		
8.1	bearing housing F2	02-BH02	cast iron ASTMA48CL 30		
*9	radial shaft seal ring	01-SR01	buna N O' ring		
11	bearing cover	01-BC01	cast iron ASTMA48CL 30		
*19.1	half coupling motor side		depending on motor HP		
*19.2	half coupling pump side		depending on pump shaft		
*19.3	coupling insert		depending on coupling size		
*21	gasket bearing housing cover	01-GBC01	fiber gasket vellumoid		
27	air vent valve plug				
28	impeller key		carbon steel ASTMA108G10800		
29	pump shaft key		carbon steel ASTMA108G10800		
			SEE PAGE 2 OF 2 FOR MORE SPARES		

* recommended spares					
Series	880RI model 4 X 4 X 10				
NO	PART NAME	PART NUMBER	STANDARD MATERIAL	PART NUMBER	OPTIONAL MATERIAL
31	motor				
32.1	bracket 143-215	2683883	cast iron ASTMA48CL 30 F1	2683883-B	bronze ASTMB584C87400
32.2	bracket 143-215			2683883-SS	stainless steel 304
32.3	bracket 143-215			2683883-DI	ductile iron 300 PSI GGG50
32.4	bracket 143-215			2683883-CS	cast steel ASTMA216WCB
32.5	bracket 254-256	2683884	cast iron ASTMA48CL 30 F2	2683884-B	bronze ASTMB584C87400
32.6	bracket 254-256			2683884-SS	stainless steel 304
32.7	bracket 254-256			2683884-DI	ductile iron 300 PSI GGG50
32.8	bracket 254-256			2683884-CS	cast steel ASTMA216WCB
32.9	bracket 284-326	2691995	cast iron ASTMA48CL 30 F2	2691995-B	bronze ASTMB584C87400
32.10	bracket 284-326			2691995-SS	stainless steel 304
32.11	bracket 284-326			2691995-DI	ductile iron 300 PSI GGG50
32.12	bracket 284-326			2691995-CS	cast steel ASTMA216WCB
33	motor shaft key		carbon steel - 1045		stainless steel 18-8 open designation
34.1	impeller washer no 1	WF1-SS	stainless steel 18-8 open designation		
34.2	impeller washer no 2	WF2-SS	stainless steel 18-8 open designation		
35.1	impeller bolt no 1	LBF1-SS	stainless steel 18-8 open designation		
35.2	impeller bolt no 2	LBF2-SS	stainless steel 18-8 open designation		
*36	casing gasket	G-10P	fiber gasket vellumoid		
37	motor bolts		carbon steel		
41	motor bracket 143-215	B10143256TC	cast iron ASTMA48CL 30		
41.1	motor bracket 284-286	B10284286TC	cast iron ASTMA48CL 30		
41.2	motor bracket 324-449	B10324449TC	cast iron ASTMA48CL 30		
42	drain connection		carbon steel ASTMA108G10800		
43	gauge tappings		steel plugs		
*44	complete power frame	LF1-143-184JM	cast iron ASTMA48CL 30		
*45	complete power frame	LF2-254-256JM	cast iron ASTMA48CL 30		

* recommended spares					
Series	880RI model 6 X 8 X 10				
NO	PART NAME	PART NUMBER	STANDARD MATERIAL	PART NUMBER	OPTIONAL MATERIAL
1	volute casing	2687430	cast iron ASTMA48CL 30	2687430-B	bronze ASTMB584C87400
1.1	volute casing			2687430-BB	stainless steel 304
1.2	volute casing			2687430-DI	ductile iron 300 PSI GGG50
1.3	volute casing			2687430-CS	cast steel ASTMA216WCB
*2.1	impeller 7/8	2691939-449	bronze ASTMB584C87400	2691939-491	cast iron ASTMA48CL30
*2.2	impeller 7/8			2691939-SS	stainless steel 304
*2.3	impeller 1 1/4	2689502-449	bronze ASTMB584C87400	2689502-491	cast iron ASTMA48CL30
*2.4	impeller 1 1/4			2689502-SS	stainless steel 304
3	pump shaft	SHAFTLF1	stainless steel 304		
3.1	pump shaft	SHAFTLF2	stainless steel 304		
*4	casing wearing	2691672	bronze ASTMB584C87400	2691672-SS	stainless steel 18-8 open designation
*5.1	shaft sleeve 143-215	SLJM1.250B	bronze ASTMB584C87400	SLJM1.250SS	stainless steel 18-8 open designation
*5.2	shaft sleeve 354-326	SLJM1.500B	bronze ASTMB584C87400	SLJM1.500SS	stainless steel 18-8 open designation
*6.1	mechanical seal 143-215	011-S125-21-per	viton/ceramic vs carbon w/stainless steel spring	011-S125-dirt	viton/silicone carbide w/stainless steel
*6.2	mechanical seal 354-326	011-S150-21-per	viton/ceramic vs carbon w/stainless steel spring	011-S150-dirt	viton/silicone carbide w/stainless steel
*7.1	ball bearing outboard F1	002-B62062RS			
*7.2	ball bearing inboard F1	002-B62072Z-NR			
*7.3	ball bearing outboard F2	002-B62092RS			
*7.4	ball bearing inboard F2	002-B62082RS-NR			
8	bearing housing F1	01-BH01	cast iron ASTMA48CL 30		
8.1	bearing housing F2	02-BH02	cast iron ASTMA48CL 30		
*9	radial shaft seal ring	01-SR01	buna N O' ring		
11	bearing cover	01-BC01	cast iron ASTMA48CL 30		
*19.1	half coupling motor side		depending on motor HP		
*19.2	half coupling pump side		depending on pump shaft		
*19.3	coupling insert		depending on coupling size		
*21	gasket bearing housing cover	01-GBC01	fiber gasket vellumoid		
27	air vent valve plug				
28	impeller key		carbon steel ASTMA108G10800		
29	pump shaft key		carbon steel ASTMA108G10800		
SEE PAGE 2 OF 2 FOR MORE PARTS					

*	recommended spares				
Series	880RI model 6 X 8 X 10				
NO	PART NAME	PART NUMBER	STANDARD MATERIAL	PART NUMBER	OPTIONAL MATERIAL
31	motor				
32.1	bracket 143-215	2683883	cast iron ASTMA48CL 30 F1	2683883-B	bronze ASTMB584C87400
32.2	bracket 143-215			2683883-SS	stainless steel 304
32.3	bracket 143-215			2683883-DI	ductile iron 300 PSI GGG50
32.4	bracket 143-215			2683883-CS	cast steel ASTMA216WCB
32.5	bracket 254-256	2683884	cast iron ASTMA48CL 30 F2	2683884-B	bronze ASTMB584C87400
32.6	bracket 254-256			2683884-SS	stainless steel 304
32.7	bracket 254-256			2683884-DI	ductile iron 300 PSI GGG50
32.8	bracket 254-256			2683884-CS	cast steel ASTMA216WCB
32.9	bracket 284-326	2691995	cast iron ASTMA48CL 30 F2	2691995-B	bronze ASTMB584C87400
32.10	bracket 284-326			2691995-SS	stainless steel 304
32.11	bracket 284-326			2691995-DI	ductile iron 300 PSI GGG50
32.12	bracket 284-326			2691995-CS	cast steel ASTMA216WCB
33	motor shaft key		carbon steel - 1045		stainless steel 18-8 open designation
34.1	impeller washer no 1	WF1-SS	stainless steel 18-8 open designation		
34.2	impeller washer no 2	WF2-SS	stainless steel 18-8 open designation		
35.1	impeller bolt no 1	LBF1-SS	stainless steel 18-8 open designation		
35.2	impeller bolt no 2	LBF2-SS	stainless steel 18-8 open designation		
*36	casing gasket	G-10P	fiber gasket vellumoid		
37	motor bolts		carbon steel		
41	motor bracket 143-215	B10143256TC	cast iron ASTMA48CL 30		
41.1	motor bracket 284-286	B10284286TC	cast iron ASTMA48CL 30		
41.2	motor bracket 324-449	B10324449TC	cast iron ASTMA48CL 30		
42	drain connection		carbon steel ASTMA108G10800		
43	gauge tappings		steel plugs		
*44	complete power frame	LF1-143-184JM	cast iron ASTMA48CL 30		
*45	complete power frame	LF2-254-256JM	cast iron ASTMA48CL 30		

* recommended spares					
NO	PART NAME	PART NUMBER	STANDARD MATERIAL	PART NUMBER	OPTIONAL MATERIAL
1	volute casing	2687434	cast iron ASTMA48CL 30	2687434-B	bronze ASTMB584C87400
1.1	volute casing			2687434-BB	stainless steel 304
1.2	volute casing			2691991-DI	ductile iron 300 PSI GGG50
1.3	volute casing			2691991-CS	cast steel ASTMA216WCB
*2.1	impeller 1 1/4	2685595-449	bronze ASTMB584C87400	2689502-491	cast iron ASTMA48CL30
*2.2	impeller 1 1/4			2689502-SS	stainless steel 304
3	pump shaft	SHAFTLF1	stainless steel 304		
3.1	pump shaft	SHAFTLF2	stainless steel 304		
*4	casing wearing	2691672	bronze ASTMB584C87400	2691672-SS	stainless steel 18-8 open designation
*5.1	shaft sleeve 143-215	SLJM1.250B	bronze ASTMB584C87400	SLJM1.250SS	stainless steel 18-8 open designation
*5.2	shaft sleeve 354-326	SLJM1.500B	bronze ASTMB584C87400	SLJM1.500SS	stainless steel 18-8 open designation
*6.1	mechanical seal 143-215	011-S125-21-per	viton/ceramic vs carbon w/stainless steel spring	011-S125-dirt	viton/silicone carbide w/stainless steel
*6.2	mechanical seal 354-326	011-S150-21-per	viton/ceramic vs carbon w/stainless steel spring	011-S150-dirt	viton/silicone carbide w/stainless steel
*7.1	ball bearing outboard F1	002-B62062RS			
*7.2	ball bearing inboard F1	002-B62072Z-NR			
*7.3	ball bearing outboard F2	002-B62092RS			
*7.4	ball bearing inboard F2	002-B62082RS-NR			
8	bearing housing F1	01-BH01	cast iron ASTMA48CL 30		
8.1	bearing housing F2	02-BH02	cast iron ASTMA48CL 30		
*9	radial shaft seal ring	01-SR01	buna N O' ring		
11	bearing cover	01-BC01	cast iron ASTMA48CL 30		
*19.1	half coupling motor side		depending on motor HP		
*19.2	half coupling pump side		depending on pump shaft		
*19.3	coupling insert		depending on coupling size		
*21	gasket bearing housing cover	01-GBC01	fiber gasket vellumoid		
27	air vent valve plug				
28	impeller key		carbon steel ASTMA108G10800		
29	pump shaft key		carbon steel ASTMA108G10800		
			SEE PAGE 2 OF 2 FOR MORE PARTS		

* recommended spares					
Series 880RI model 8 X 8 X10					
NO	PART NAME	PART NUMBER	STANDARD MATERIAL	PART NUMBER	OPTIONAL MATERIAL
31	motor				
32.1	bracket 143-215	2683883	cast iron ASTMA48CL 30 F1	2683883-B	bronze ASTMB584C87400
32.2	bracket 143-215			2683883-SS	stainless steel 304
32.3	bracket 143-215			2683883-DI	ductile iron 300 PSI GGG50
32.4	bracket 143-215			2683883-CS	cast steel ASTMA216WCB
32.5	bracket 254-256	2683884	cast iron ASTMA48CL 30 F2	2683884-B	bronze ASTMB584C87400
32.6	bracket 254-256			2683884-SS	stainless steel 304
32.7	bracket 254-256			2683884-DI	ductile iron 300 PSI GGG50
32.8	bracket 254-256			2683884-CS	cast steel ASTMA216WCB
32.9	bracket 284-326	2691995	cast iron ASTMA48CL 30 F2	2691995-B	bronze ASTMB584C87400
32.10	bracket 284-326			2691995-SS	stainless steel 304
32.11	bracket 284-326			2691995-DI	ductile iron 300 PSI GGG50
32.12	bracket 284-326			2691995-CS	cast steel ASTMA216WCB
33	motor shaft key		carbon steel - 1045		stainless steel 18-8 open designation
34.1	impeller washer no 1	WF1-SS	stainless steel 18-8 open designation		
34.2	impeller washer no 2	WF2-SS	stainless steel 18-8 open designation		
35.1	impeller bolt no 1	LBF1-SS	stainless steel 18-8 open designation		
35.2	impeller bolt no 2	LBF2-SS	stainless steel 18-8 open designation		
*36	casing gasket	G-10P	fiber gasket vellumoid		
37	motor bolts		carbon steel		
41	motor bracket 143-215	B10143256TC	cast iron ASTMA48CL 30		
41.1	motor bracket 284-286	B10284286TC	cast iron ASTMA48CL 30		
41.2	motor bracket 324-449	B10324449TC	cast iron ASTMA48CL 30		
42	drain connection		carbon steel ASTMA108G10800		
43	gauge tappings		steel plugs		
*44	complete power frame	LF1-143-184JM	cast iron ASTMA48CL 30		
*45	complete power frame	LF2-254-256JM	cast iron ASTMA48CL 30		

* recommended spares					
Series 880R1 model 4 x 4 x 12					
NO	PART NAME	PART NUMBER	STANDARD MATERIAL	PART NUMBER	OPTIONAL MATERIAL
1	volute casing	2687428	cast iron ASTMA48CL 30	2687428-B	bronze ASTMB584C87400
1.1	volute casing			2687428-SS	stainless steel 304
1.2	volute casing			2687428-DI	ductile iron 300 PSI GGG50
1.3	volute casing			2687428-CS	cast steel ASTMA216WCB
*2.1	impeller 1 1/4	2685580-449	bronze ASTMB584C87400	2685580-491	cast iron ASTMA48CL30
*2.2	impeller 1 1/4			2685580-SS	stainless steel 304
3	pump shaft	SHAFTLF1	stainless steel 304		
3.1	pump shaft	SHAFTLF2	stainless steel 304		
*4	casing wearing	2691669	bronze ASTMB584C87400	2691669-SS	stainless steel 18-8 open designation
*5.1	shaft sleeve 354-326	SLJM1.500B	bronze ASTMB584C87400	SLJM1.500SS	stainless steel 18-8 open designation
*6.1	mechanical seal 354-326	011-S150-21-per	viton/ceramic vs carbon w/stainless steel spring	011-S150-dirt	viton/silicone carbide w/stainless steel
*7.1	ball bearing outboard F1	002-B62062RS			
*7.2	ball bearing inboard F1	002-B62072Z-NR			
*7.3	ball bearing outboard F2	002-B62092RS			
*7.4	ball bearing inboard F2	002-B62082RS-NR			
8	bearing housing F1	01-BH01	cast iron ASTMA48CL 30		
8.1	bearing housing F2	02-BH02	cast iron ASTMA48CL 30		
*9	radial shaft seal ring	01-SR01	buna N O' ring		
11	bearing cover	01-BC01	cast iron ASTMA48CL 30		
*19.1	half coupling motor side		depending on motor HP		
*19.2	half coupling pump side		depending on pump shaft		
*19.3	coupling insert		depending on coupling size		
*21	gasket bearing housing cover	01-GBC01	fiber gasket vellumoid		
27	air vent valve plug				
28	impeller key		carbon steel ASTMA108G10800		
29	pump shaft key		carbon steel ASTMA108G10800		
SEE PAGE 2 OF 2 FOR MORE PARTS					

NO	PART NAME	PART NUMBER	STANDARD MATERIAL	PART NUMBER	OPTIONAL MATERIAL
*	recommended spares				
Series	880R1 model 4 X 4 X 12				
31	motor				
32.1	bracket 143-215	2687811	cast iron ASTMA48CL 30 F1	2687811-B	bronze ASTMB584C87400
32.2	bracket 143-215			2687811-SS	stainless steel 304
32.3	bracket 143-215			2687811-DI	ductile iron 300 PSI GGG50
32.4	bracket 143-215			2687811-CS	cast steel ASTMA216WCB
32.5	bracket 254-256	2687812	cast iron ASTMA48CL 30 F2	2687812-B	bronze ASTMB584C87400
32.6	bracket 254-256			2687812-SS	stainless steel 304
32.7	bracket 254-256			2687812-DI	ductile iron 300 PSI GGG50
32.8	bracket 254-256			2687812-CS	cast steel ASTMA216WCB
32.9	bracket 284-326	2687813	cast iron ASTMA48CL 30 F2	2687813-B	bronze ASTMB584C87400
32.10	bracket 284-326			2687813-SS	stainless steel 304
32.11	bracket 284-326			2687813-DI	ductile iron 300 PSI GGG50
32.12	bracket 284-326			2687813-CS	cast steel ASTMA216WCB
33	motor shaft key		carbon steel - 1045		stainless steel 18-8 open designation
34.1	impeller washer no 1	WF1-SS	stainless steel 18-8 open designation		
34.2	impeller washer no 2	WF2-SS	stainless steel 18-8 open designation		
35.1	impeller bolt no 1	LBF1-SS	stainless steel 18-8 open designation		
35.2	impeller bolt no 2	LBF2-SS	stainless steel 18-8 open designation		
*36	casing gasket	G-12P	fiber gasket vellumoid		
37	motor bolts		carbon steel		
41	motor bracket 143-215	B12143256TC	cast iron ASTMA48CL 30		
41.1	motor bracket 284-286	B12284286TC	cast iron ASTMA48CL 30		
41.2	motor bracket 324-449	B10324449TC	cast iron ASTMA48CL 30		
42	drain connection		carbon steel ASTMA108G10800		
43	gauge tappings		steel plugs		
*44	complete power frame	LF1-143-184JM	cast iron ASTMA48CL 30		
*45	complete power frame	LF2-254-256JM	cast iron ASTMA48CL 30		

* recommended spares					
Series	880R1 model 6 X 6 X 12				
NO	PART NAME	PART NUMBER	STANDARD MATERIAL	PART NUMBER	OPTIONAL MATERIAL
1	volute casing	2687432	cast iron ASTMA48CL 30	2687432-B	bronze ASTMB584C87400
1.1	volute casing			2687432-SS	stainless steel 304
1.2	volute casing			2687432-DI	ductile iron 300 PSI GGG50
1.3	volute casing			2687432-CS	cast steel ASTMA216WCB
*2.1	impeller 1 1/4	2685593-449	bronze ASTMB584C87400	2685593-491	cast iron ASTMA48CL30
*2.2	impeller 1 1/4			2685593-SS	stainless steel 304
3	pump shaft	SHAFTLF1	stainless steel 304		
3.1	pump shaft	SHAFTLF2	stainless steel 304		
*4	casing wearing	2691671-1	bronze ASTMB584C87400	2691671-1SS	stainless steel 18-8 open designation
*5.1	shaft sleeve 354-326	SLJM1.500B	bronze ASTMB584C87400	SLJM1.500SS	stainless steel 18-8 open designation
*6.1	mechanical seal 354-326	011-S150-21-per	viton/ceramic vs carbon w/stainless steel spring	011-S150-dirt	viton/silicone carbide w/stainless steel
*7.1	ball bearing outboard F1	002-B62062RS			
*7.2	ball bearing inboard F1	002-B62072Z-NR			
*7.3	ball bearing outboard F2	002-B62092RS			
*7.4	ball bearing inboard F2	002-B62082RS-NR			
8	bearing housing F1	01-BH01	cast iron ASTMA48CL 30		
8.1	bearing housing F2	02-BH02	cast iron ASTMA48CL 30		
*9	radial shaft seal ring	01-SR01	buna N O' ring		
11	bearing cover	01-BC01	cast iron ASTMA48CL 30		
*19.1	half coupling motor side		depending on motor HP		
*19.2	half coupling pump side		depending on pump shaft		
*19.3	coupling insert		depending on coupling size		
*21	gasket bearing housing cover	01-GBC01	fiber gasket vellumoid		
27	air vent valve plug				
28	impeller key		carbon steel ASTMA108G10800		
29	pump shaft key		carbon steel ASTMA108G10800		
SEE PAGE 2 OF 2 FOR MORE PARTS					

* recommended spares					
Series	880R1 model 6 X 6 X 12				
NO	PART NAME	PART NUMBER	STANDARD MATERIAL	PART NUMBER	OPTIONAL MATERIAL
31	motor				
32.1	bracket 143-215	2687811	cast iron ASTMA48CL 30 F1	2687811-B	bronze ASTMB584C87400
32.2	bracket 143-215			2687811-SS	stainless steel 304
32.3	bracket 143-215			2687811-DI	ductile iron 300 PSI GGG50
32.4	bracket 143-215			2687811-CS	cast steel ASTMA216WCB
32.5	bracket 254-256	2687812	cast iron ASTMA48CL 30 F2	2687812-B	bronze ASTMB584C87400
32.6	bracket 254-256			2687812-SS	stainless steel 304
32.7	bracket 254-256			2687812-DI	ductile iron 300 PSI GGG50
32.8	bracket 254-256			2687812-CS	cast steel ASTMA216WCB
32.9	bracket 284-326	2687813	cast iron ASTMA48CL 30 F2	2687813-B	bronze ASTMB584C87400
32.10	bracket 284-326			2687813-SS	stainless steel 304
32.11	bracket 284-326			2687813-DI	ductile iron 300 PSI GGG50
32.12	bracket 284-326			2687813-CS	cast steel ASTMA216WCB
33	motor shaft key		carbon steel - 1045		stainless steel 18-8 open designation
34.1	impeller washer no 1	WF1-SS	stainless steel 18-8 open designation		
34.2	impeller washer no 2	WF2-SS	stainless steel 18-8 open designation		
35.1	impeller bolt no 1	LBF1-SS	stainless steel 18-8 open designation		
35.2	impeller bolt no 2	LBF2-SS	stainless steel 18-8 open designation		
*36	casing gasket	G-12P	fiber gasket vellumoid		
37	motor bolts		carbon steel		
41	motor bracket 143-215	B12143256TC	cast iron ASTMA48CL 30		
41.1	motor bracket 284-286	B12284286TC	cast iron ASTMA48CL 30		
41.2	motor bracket 324-449	B12324449TC	cast iron ASTMA48CL 30		
42	drain connection		carbon steel ASTMA108G10800		
43	gauge tapings		steel plugs		
*44	complete power frame	LF1-143-184JM	cast iron ASTMA48CL 30		
*45	complete power frame	LF2-254-256JM	cast iron ASTMA48CL 30		

* recommended spares					
Series	680RI model 8 X 8 X 12				
NO	PART NAME	PART NUMBER	STANDARD MATERIAL	PART NUMBER	OPTIONAL MATERIAL
31	motor.				
32.1	bracket 143-215	2687811	cast iron ASTMA48CL 30 F1	2687811-B	bronze ASTMB584C87400
32.2	bracket 143-215			2687811-SS	stainless steel 304
32.3	bracket 143-215			2687811-DI	ductile iron 300 PSI GGG50
32.4	bracket 143-215			2687811-CS	cast steel ASTMA216WCB
32.5	bracket 254-256	2687812	cast iron ASTMA48CL 30 F2	2687812-B	bronze ASTMB584C87400
32.6	bracket 254-256			2687812-SS	stainless steel 304
32.7	bracket 254-256			2687812-DI	ductile iron 300 PSI GGG50
32.8	bracket 254-256			2687812-CS	cast steel ASTMA216WCB
32.9	bracket 284-326	2687813	cast iron ASTMA48CL 30 F2	2687813-B	bronze ASTMB584C87400
32.10.	bracket 284-326			2687813-SS	stainless steel 304
32.11	bracket 284-326			2687813-DI	ductile iron 300 PSI GGG50
32.12	bracket 284-326			2687813-CS	cast steel ASTMA216WCB
33	motor shaft key		carbon steel - 1045		stainless steel 18-8 open designation
34.1	impeller washer no 1	WF1-SS	stainless steel 18-8 open designation		
34.2	impeller washer no 2	WF2-SS	stainless steel 18-8 open designation		
35.1	impeller bolt no 1	LBF1-SS	stainless steel 18-8 open designation		
35.2	impeller bolt no 2	LBF2-SS	stainless steel 18-8 open designation		
*36	casing gasket	G-12P	fiber gasket vellumoid		
37	motor bolts		carbon steel		
41	motor bracket 143-215	B12143256TC	cast iron ASTMA48CL 30		
41.1	motor bracket 284-286	B12284286TC	cast iron ASTMA48CL 30		
41.2	motor bracket 324-449	B12324449TC	cast iron ASTMA48CL 30		
42	drain connection		carbon steel ASTMA108G10800		
43	gauge tappings		steel plugs		
*44	complete power frame	LF1-143-184JM	cast iron ASTMA48CL 30		
*45	complete power frame	LF2-254-256JM	cast iron ASTMA48CL 30		

* recommended spares					
NO	PART NAME	PART NUMBER	STANDARD MATERIAL	PART NUMBER	OPTIONAL MATERIAL
1	volute casing	2687435	cast iron ASTMA48CL 30	2687435-B	bronze ASTMB584C87400
1.1	volute casing			2687435-SS	stainless steel 304
1.2	volute casing			2687435-DI	ductile iron 300 PSI GGG50
1.3	volute casing			2687435-CS	cast steel ASTMA216WCB
*2.1	impeller 1 1/4	2685596-449	bronze ASTMB584C87400		cast iron ASTMA48CL30
*2.2	impeller 1 1/4				stainless steel 304
3	pump shaft	SHAFTLF1	stainless steel 304		
3.1	pump shaft	SHAFTLF2	stainless steel 304		
*4	casing wearing	2691670	bronze ASTMB584C87400	2691670-SS	stainless steel 18-8 open designation
*5.1	shaft sleeve 354-326	SLJM1.500B	bronze ASTMB584C87400	SLJM1.500SS	stainless steel 18-8 open designation
*6.1	mechanical seal 354-326	011-S150-21-per	viton/ceramic vs carbon w/stainless steel spring	011-S150-dirt	viton/silicone carbide w/stainless steel
*7.1	ball bearing outboard F1	002-B62062RS			
*7.2	ball bearing inboard F1	002-B62072Z-NR			
*7.3	ball bearing outboard F2	002-B62092RS			
*7.4	ball bearing inboard F2	002-B62082RS-NR			
8	bearing housing F1	01-BH01	cast iron ASTMA48CL 30		
8.1	bearing housing F2	02-BH02	cast iron ASTMA48CL 30		
*9	radial shaft seal ring	01-SR01	buna N O' ring		
11	bearing cover	01-BC01	cast iron ASTMA48CL 30		
*19.1	half coupling motor side		depending on motor HP		
*19.2	half coupling pump side		depending on pump shaft		
*19.3	coupling insert		depending on coupling size		
*21	gasket bearing housing cover	01-GBC01	fiber gasket vellumoid		
27	air vent valve plug				
28	impeller key		carbon steel ASTMA108G10800		
29	pump shaft key		carbon steel ASTMA108G10800		
SEE PAGE 2 OF 2 FOR MORE PARTS					