

PARTS LIST		
ITEM	QTY	DESCRIPTION
1	2	INLINE PUMP MODEL 880RI-2X2-8
2	2	MOTOR 10HP/3500RPM/3PH/215TC
3	2	VFD - IQP1000-4A0018FAANEMA1
4	2	MULTI-FUNCTION VALVE 2" - CLASS 150
5	2	SUCTION DIFFUSER 2" X 2"
6	2	BUTTERFLY VALVE 2"
7	1	PUMPS BASE
8	2	VFD PLATE

DRAWING %	
FABRICATION	
100%	
90%	
75%	
50%	
PRELIMINARY	X

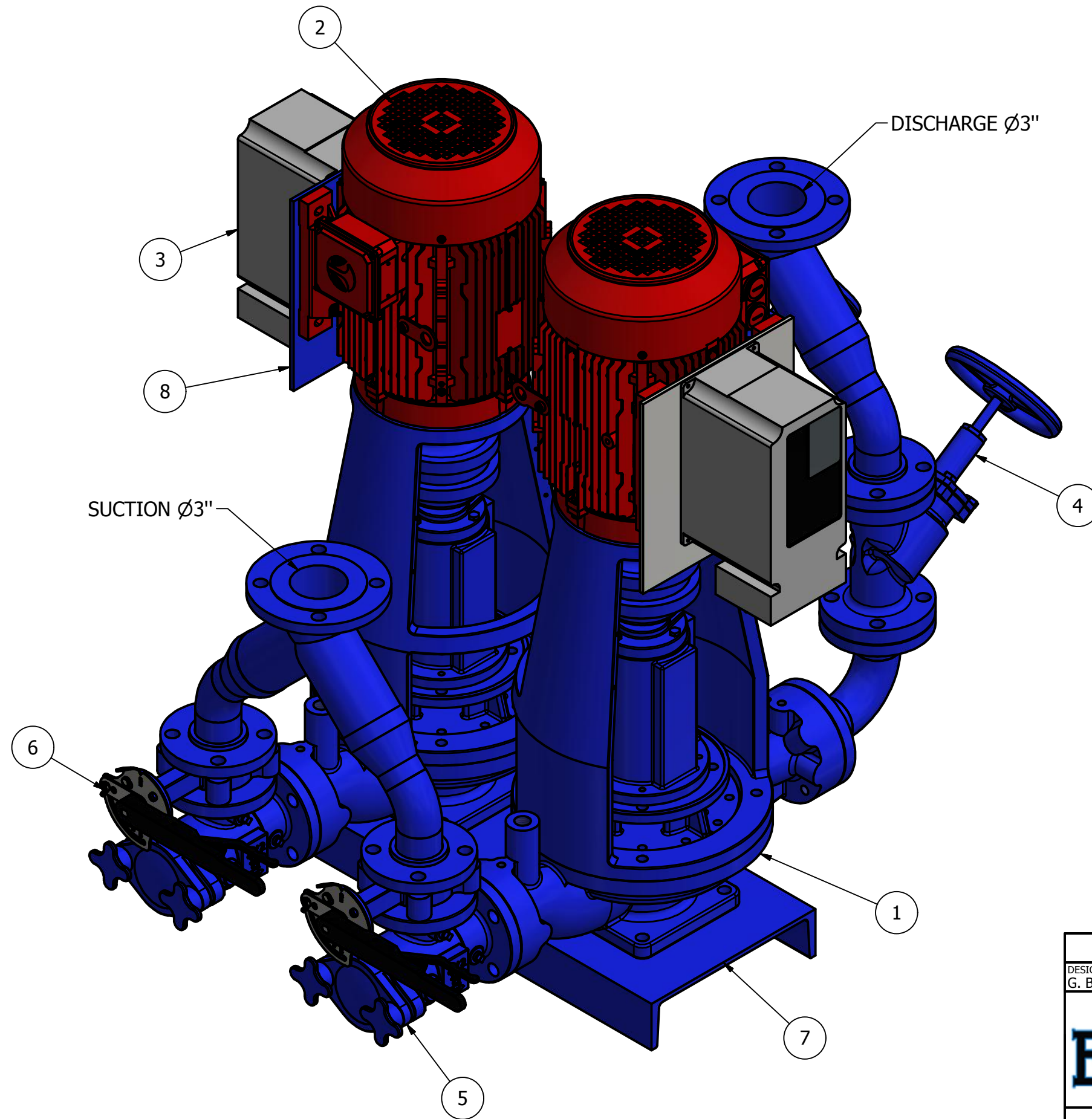
REVISION HISTORY		
REV	DESCRIPTION	DATE
1	PRELIMINARY DRAWINGS	05/31/2016
2	UPDATE (N.V.)	DEC/01/2016

THIS DRAWING MUST BE SENT WITH PURCHASE ORDER


DESIGNER G. BOLDUC	DATE 2016-05-31	TITLE / TITRE TWIN PUMPS MODEL 880RI-2X2-8
PROJECT / PROJET FT. DETRICK BOILER DECENTRALIZATION REV		CUSTOMER / CLIENT MORIN LLC
QUOTE 108860	TAG HWP-568-1	
DWG NO. 108860_HWP-568-1		REV 1
SCALE / ECHELLE 1/6		JOB NO. SHEET 1 OF 3

MONTREAL, (QC), CANADA
TORONTO, (ON), CANADA
LAKE WORTH, (FL), USA
WWW.FLOFAB.COM





PARTS LIST		
ITEM	QTY	DESCRIPTION
1	2	INLINE PUMP MODEL 880RI-2X2-8
2	2	MOTOR 10HP/3500RPM/3PH/215TC
3	2	VFD - IQP1000-4A0018FAANEMA1
4	2	MULTI-FUNCTION VALVE 2" - CLASS 150
5	2	SUCTION DIFFUSER 2" X 2"
6	2	BUTTERFLY VALVE 2"
7	1	PUMPS BASE
8	2	VFD PLATE

THIS DRAWING MUST BE SENT WITH PURCHASE ORDER			
DESIGNER G. BOLDUC	DATE 2016-05-31	TITLE / TITRE TWIN PUMPS MODEL 880RI-2X2-8	
		PROJECT / PROJET FT. DETRICK BOILER DECENTRALIZATION REV	
		CUSTOMER / CLIENT MORIN LLC	
MONTREAL, (QC), CANADA TORONTO, (ON), CANADA LAKE WORTH, (FL), USA WWW.FLOFAB.COM		QUOTE 108860	TAG HWP-568-1
DWG NO. 108860_TWINS PUMPS 880RI-2X2-8		REV 1	
SCALE / ECHELLE 1/6		JOB NO. SHEET 2 OF 3	