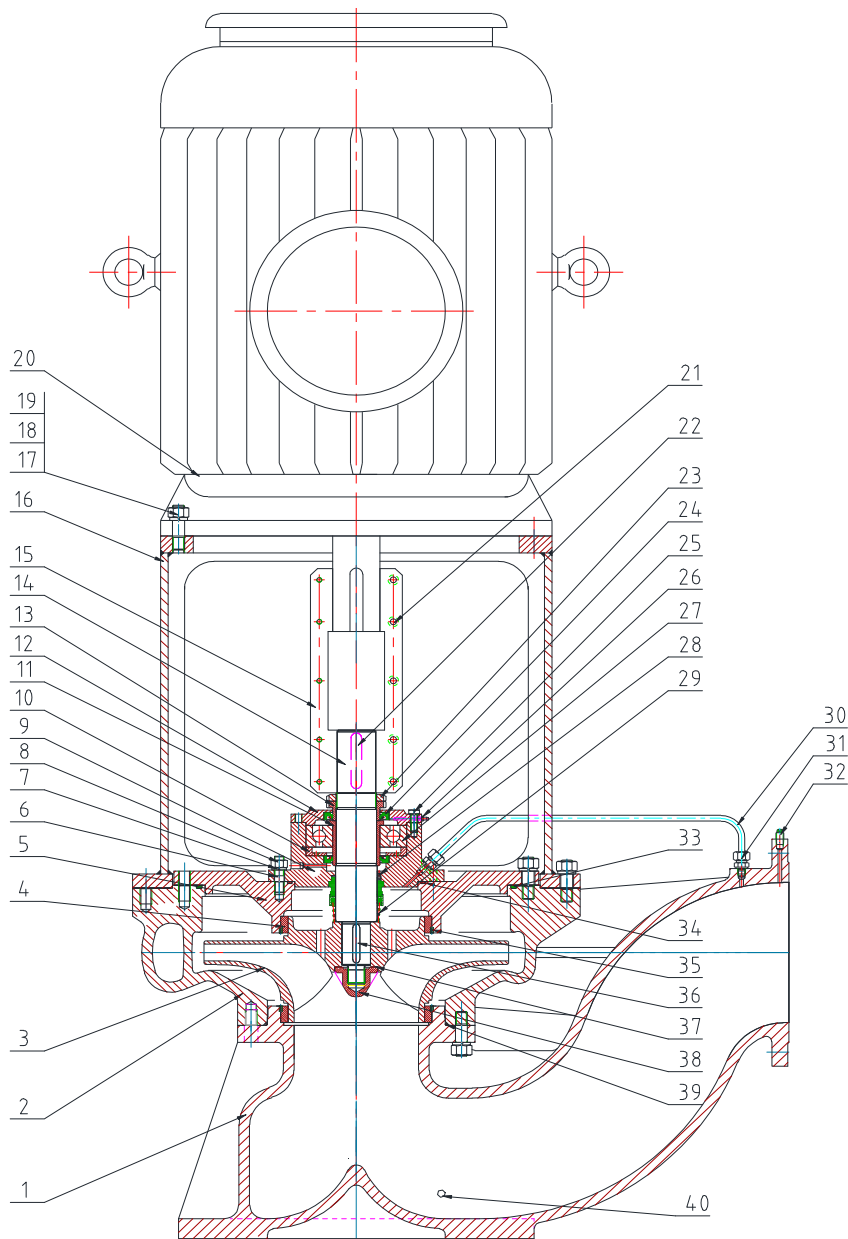


XRI structure drawing



- | | | | |
|----------------------|---------------------|----------------------------------|-----------------------|
| 1. Suction | 11. Bearing sleeve | 21. Screw | 31. Cartridge connect |
| 2. Casing | 12. Bearing cover | 22. Key | 32. Plug |
| 3. Impeller | 13. Bearing nuts | 23. Round nut | 33. O-ring |
| 4. Wear ring | 14. Shaft | 24. Lip-type seal ring | 34. O-ring |
| 5. Casing cover | 15. Coupling | 25. Hex nuts | 35. Screw |
| 6. Studs | 16. Motor baseplate | 26. Grease nipple | 36. Key |
| 7. Spring washer | 17. Studs | 27. Angular contact ball bearing | 37. Gasket. |
| 8. Hex nuts | 18. Spring washer | 28. Round pin | 38. Impeller nuts. |
| 9. Bearing baseplate | 19. Hex nut | 29. Mechanical seal | 39. O-ring |
| 10. Bearing ring | 20. Motor | 30. Seamless tube | 40. Plug |