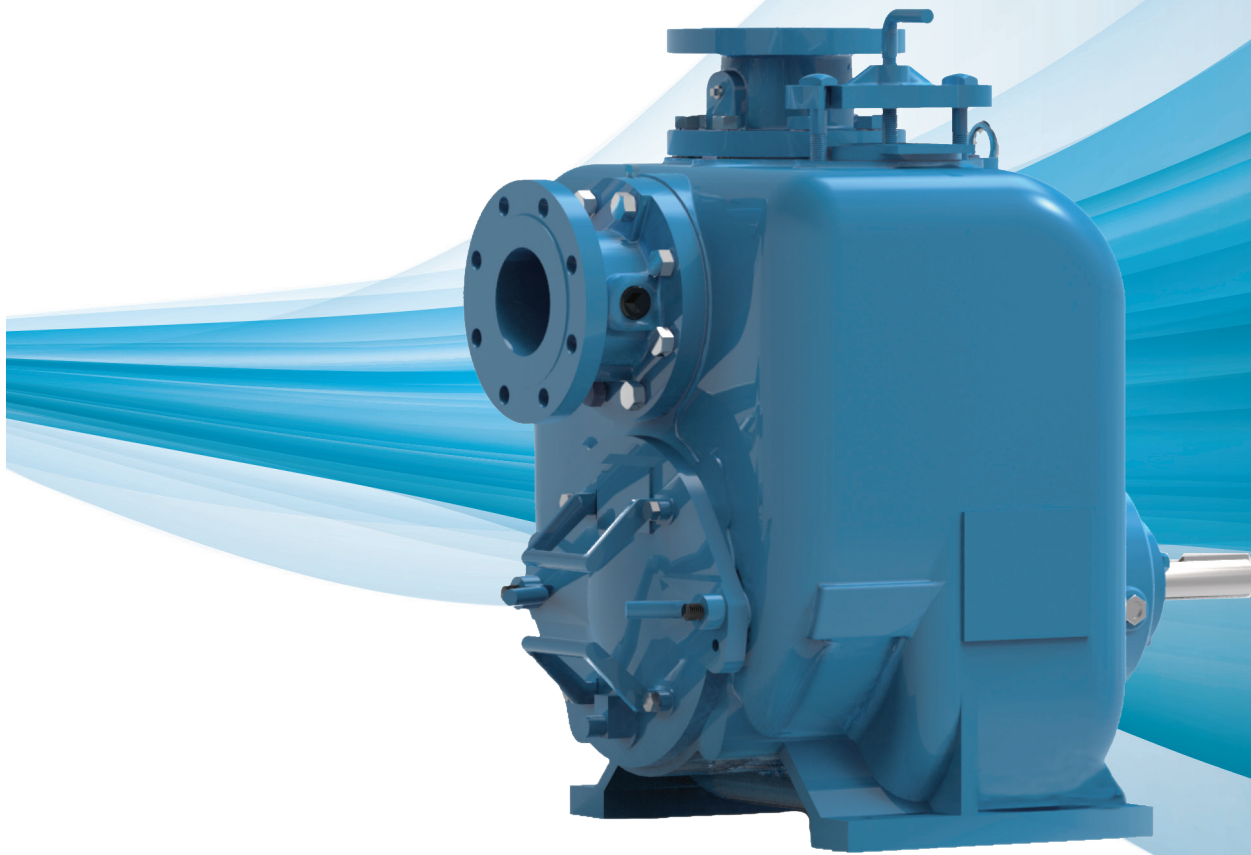




High Head Self Priming Trash Pump FFMCU Series



www.flofab.com
001-cat-2017-ffmcu

HISTORY

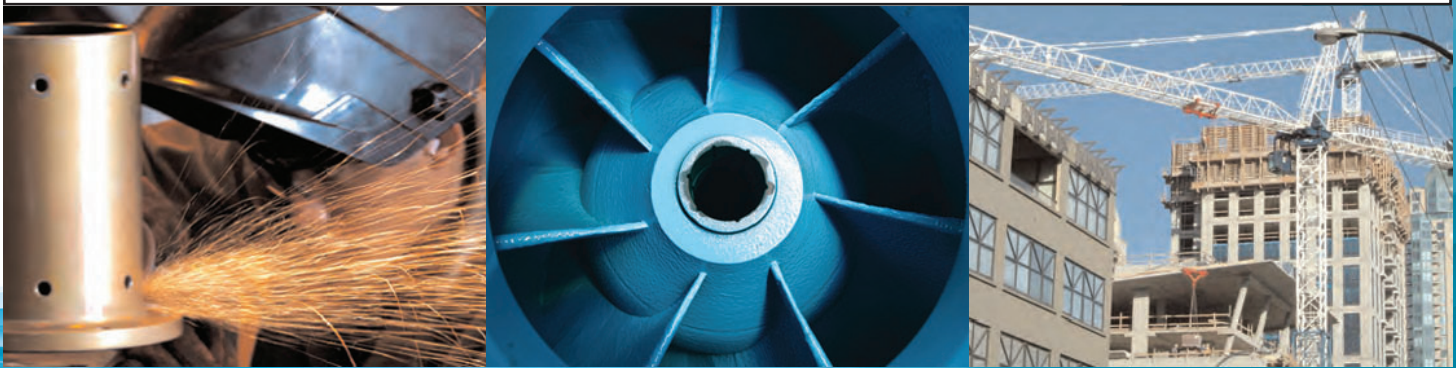
Flo Fab was established in 1981 by Denis Gauvreau who created and developed the products line and constantly being perfected by Marc Gauvreau, as well as by a team of professional engineers and designers. It's a combination of existing designs from several renowned products and the innovative ideas of a new generation professionals.

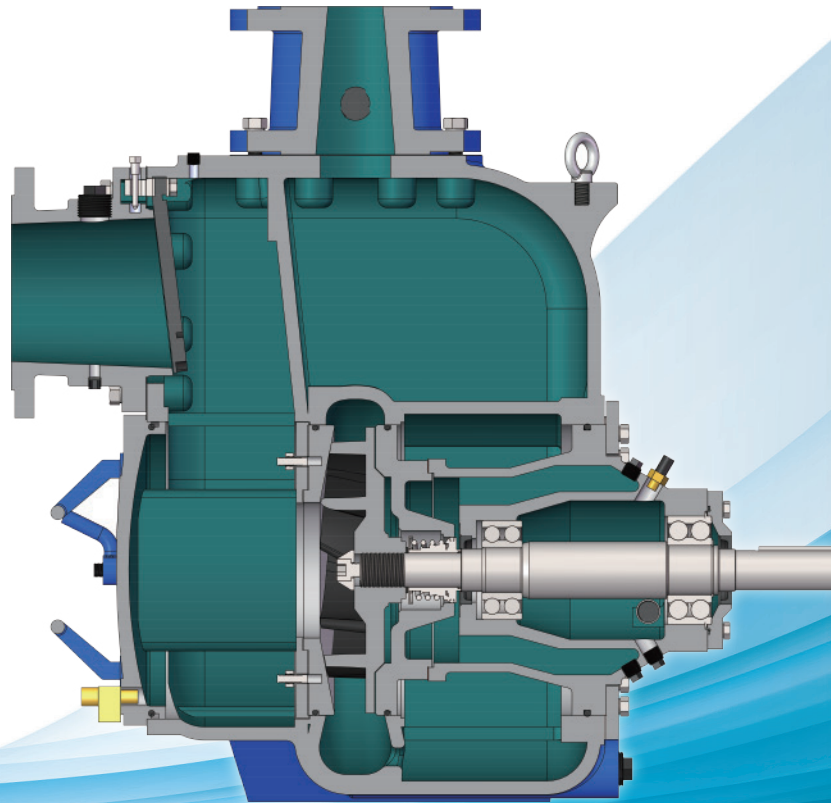
Through the years, Flo Fab has acquired several companies and service entities including : AQUA-PROFAB (ASME Tanks manufacturer), MÉNARD, LÉONARD ÉLECTRIQUE, PMA. , Furthermore Flo Fab purchased equipment, fabrication designs and patterns from IDEALCO, a manufacturer of shell and tube type heat exchangers.

The after sales services, sales, engineering, R&D, production, quality control, accounting and administration departments of all the above companies share the same location.

In December 2014, Marc Gauvreau, son of the founder, acquired all shares of The company. Flo Fab and is constantly investing in new state of the art innovations new product like the XRI series and Prefab Skid for Hydronic Heating & cooling system, pumping systems. This has allowed Flo Fab to retain competent and experienced staff of professionals with varied and specialized abilities that constantly work on improving our existing products and add new engineered solutions that exceeding customer's expectations .

Flo Fab has grown quite rapidly and now proudly offers of a wide range of products available directly from one manufacturer. This includes pumps & pump packages, tanks, heat exchangers & hydronic accessories. This allows each project stakeholders to enjoy economical savings, peace of mind, best value for their investment and optimized total cost of ownership.





FFMCU

SECTIONAL VIEW

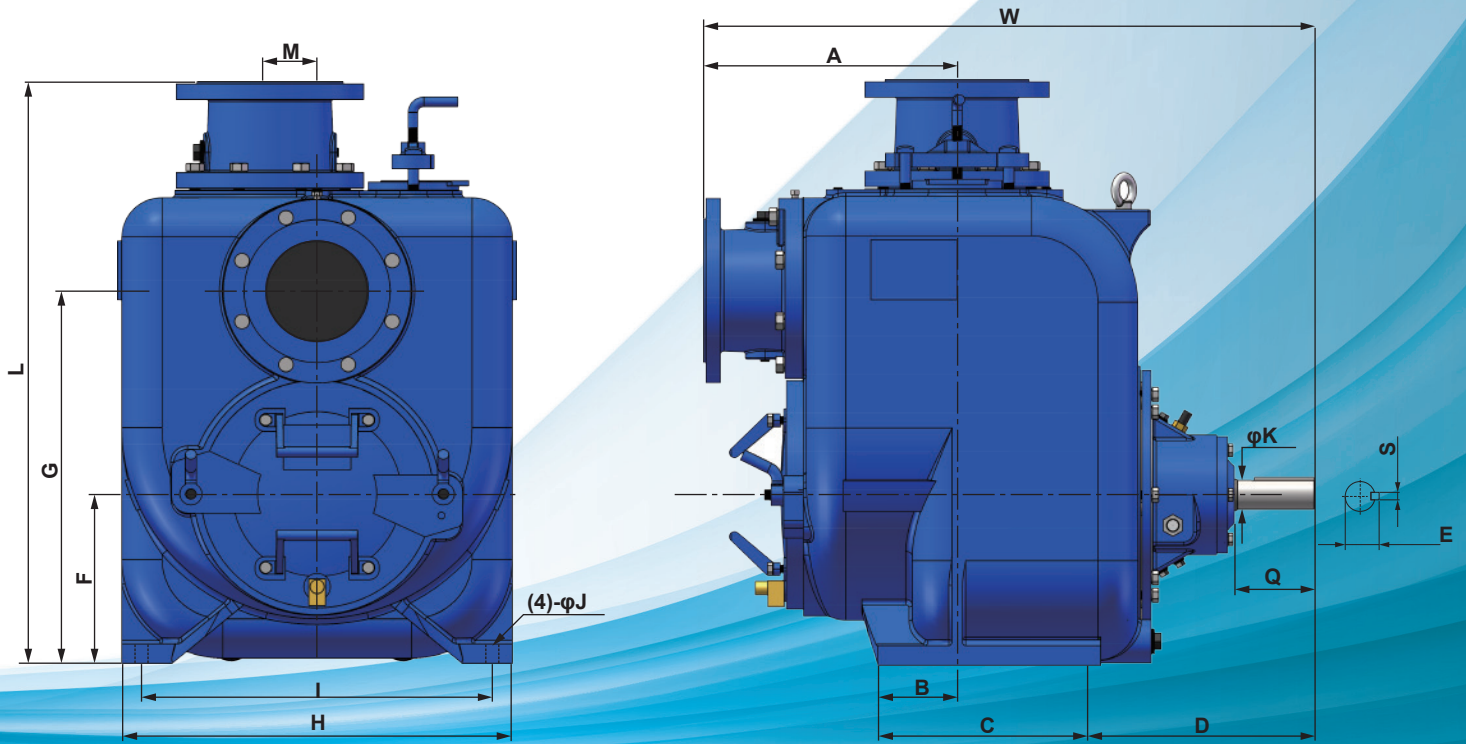
PRODUCT FEATURES

FFMCU series high head pumps are designed for economical, trouble-free operation with excellent trash handling capacity. Two-vane, semi-open solids handling impeller handles up to 3" diameter solids. The impeller, seal, wears plate and flap valve can all be accessed through the cover plate opening for inspection or service. Atmospheric barrier along with a lip seal provide additional protection of bearings, also allows external monitoring. Cartridge mechanical seal is specifically designed for abrasive and trash handling service. The entire rotating assembly can be removed without disturbing pump volute or piping .



HIGH HEAD SELF PRIMING TRASH PUMP - FFMCU SERIES

OUTLINE DIMENSIONS



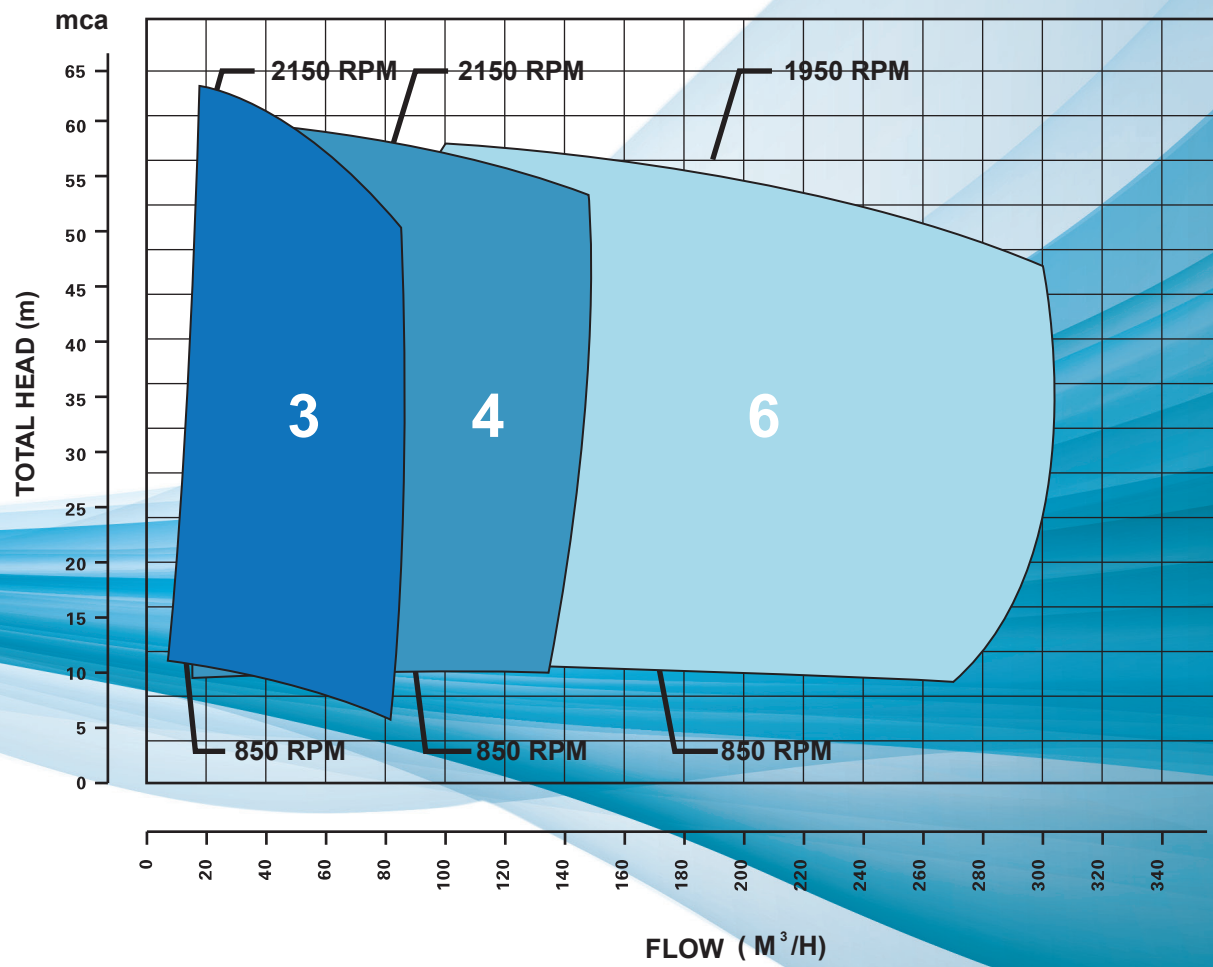
MM/IN

Pump Type	L	G	F	I	H	M	J	W	A	B	C	D	K	Q	S	E	Bare Pump Weight (kg)
FFMCU-3	690.9	431.8	190.5	393.7	438.0	69.9	18.0	733.8	295.7	76.2	228.6	285.7	38.1	101.6	9.53	42.6	281
FFMCU-4	758.2	508.0	222.3	457.2	510.0	69.9	18.0	798.6	318.6	96.8	279.4	297.4	38.1	127.0	9.53	42.6	350
FFMCU-6	883.7	568.3	257.2	527.1	580.0	69.9	18.0	945.2	406.0	77.7	279.4	337.5	44.5	117.5	9.53	48.9	580

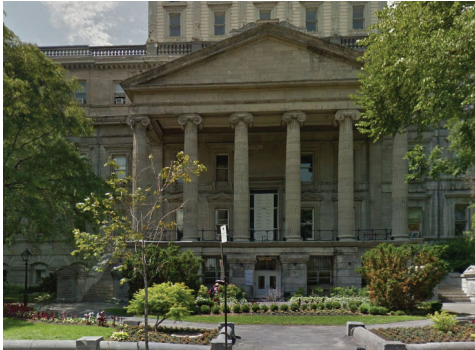
Pump Type	L	G	F	I	H	M	J	W	A	B	C	D	K	Q	S	E	Bare Pump Weight (lbs)
FFMCU-3	27,64	17,27	7,62	15,75	17,52	2,80	0,72	29,35	11,83	3,05	9,14	11,43	1,52	4,06	0,38	1,70	619,50
FFMCU-4	30,33	20,32	8,89	18,29	20,40	2,80	0,72	31,94	12,74	3,87	11,18	11,90	1,52	5,08	0,38	1,70	771,62
FFMCU-6	35,35	22,73	10,29	21,08	23,20	2,80	0,72	37,81	16,24	3,11	11,18	13,50	1,78	4,70	0,38	1,96	1278,68



PERFORMANCE CHARTS



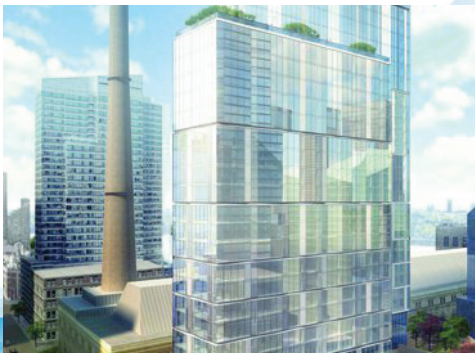
We are proud supplier for the following completed and on going projects :



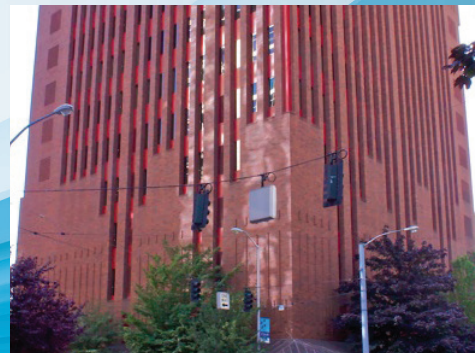
Ville de Montreal
85 Notre-Dame Street E,
Montreal, QC, CA



College de Maisonneuve
3800 Sherbrooke Street E,
Montreal, QC, CA



Riverside Center Building 5
1 West End Avenue
NY, US



Building 2101
2101 2nd Avenue, Seattle,
Washington, Belltown

Sales and Service:

Quebec, Canada
Tel. : (450) 621-2995
Fax : (450) 621-4995

Lake Worth
Florida, USA
33467-5749

Toronto, Canada
Tel. : +1 (647) 544-2995

www.flofab.com

SERVICE 24/7 : parts@flofab.com

