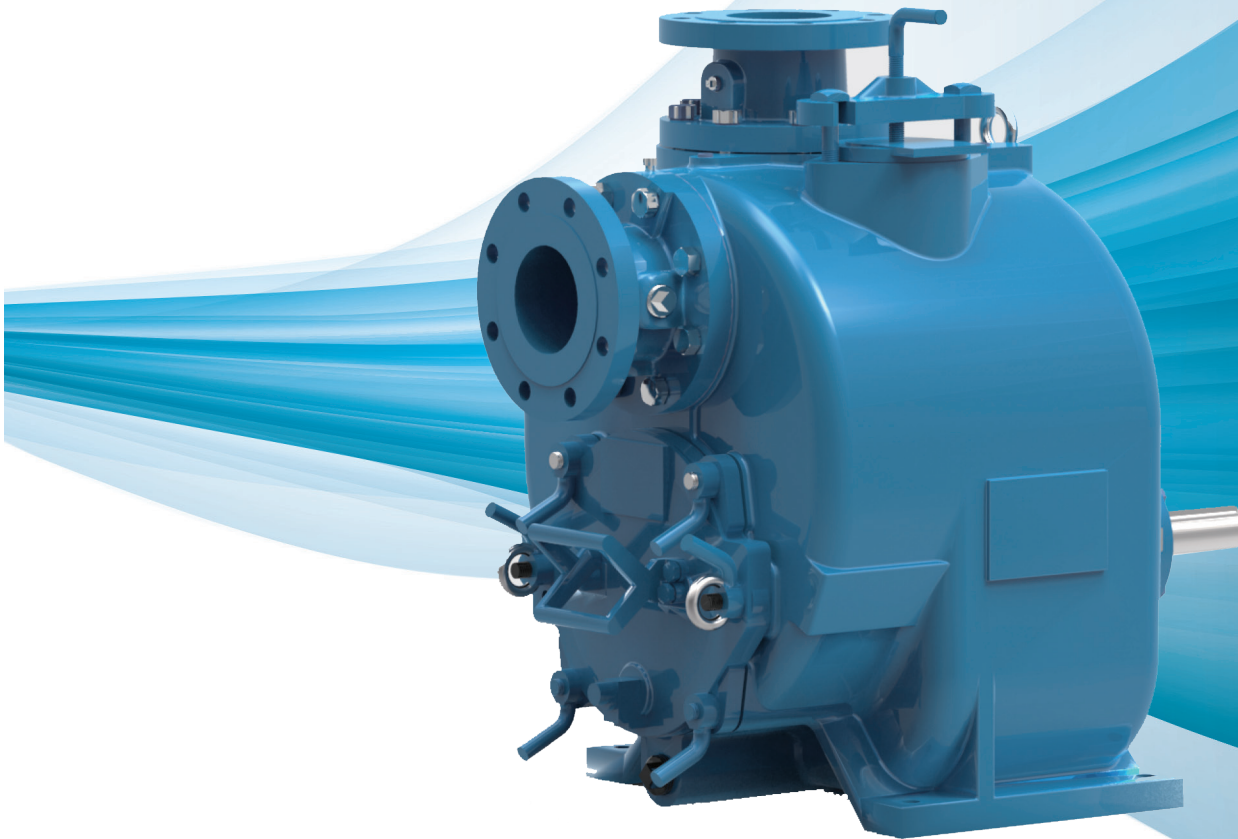




Self Priming Trash Pump FFMCST Series



www.flofab.com
001-cat-2017-ffmcst

HISTORY

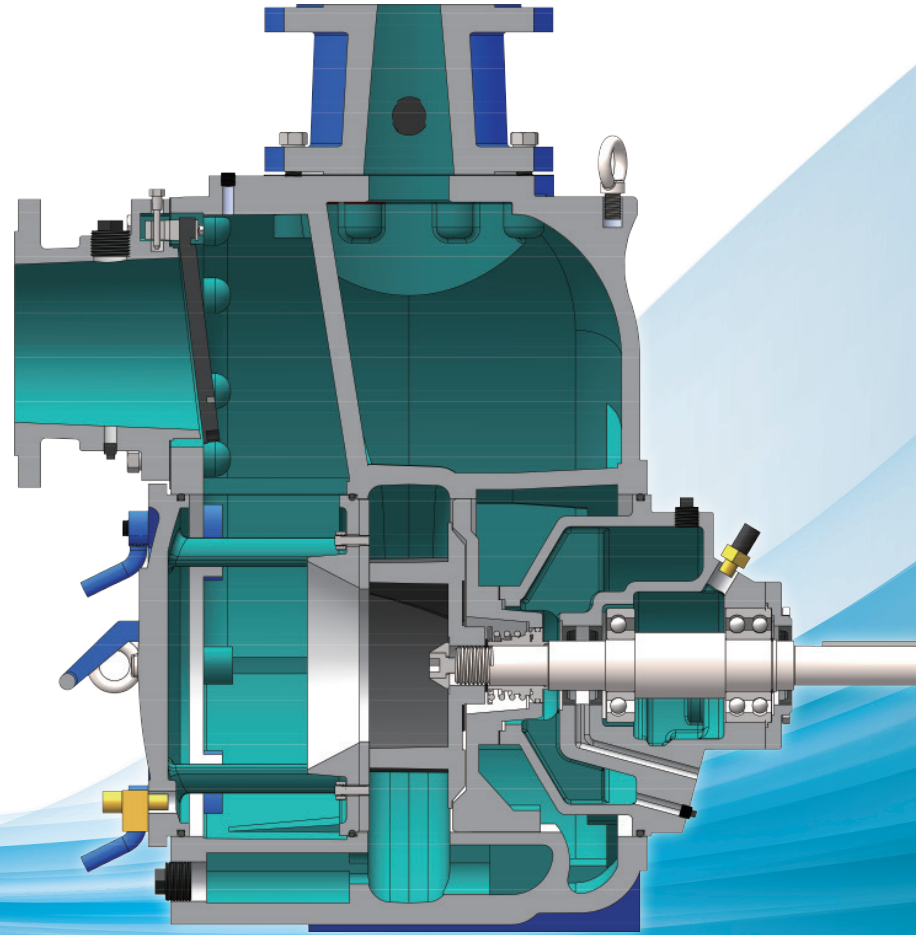
Flo Fab was established in 1981 by Denis Gauvreau who created and developed the products line and constantly being perfected by Marc Gauvreau, as well as by a team of professional engineers and designers. It's a combination of existing designs from several renowned products and the innovative ideas of a new generation professionals.

Through the years, Flo Fab has acquired several companies and service entities including : AQUA-PROFAB (ASME Tanks manufacturer), MÉNARD, LÉONARD ÉLECTRIQUE, PMA. , Furthermore Flo Fab purchased equipment, fabrication designs and patterns from IDEALCO, a manufacturer of shell and tube type heat exchangers.

The after sales services, sales, engineering, R&D, production, quality control, accounting and administration departments of all the above companies share the same location.

In December 2014, Marc Gauvreau, son of the founder, acquired all shares of The company. Flo Fab and is constantly investing in new state of the art innovations new product like the XRI series and Prefab Skid for Hydronic Heating & cooling system, pumping systems. This has allowed Flo Fab to retain competent and experienced staff of professionals with varied and specialized abilities that constantly work on improving our existing products and add new engineered solutions that exceeding customer's expectations . Flo Fab has grown quite rapidly and now proudly offers of a wide range of products available directly from one manufacturer. This includes pumps & pump packages, tanks, heat exchangers & hydronic accessories. This allows each project stakeholders to enjoy economical savings, peace of mind, best value for their investment and optimized total cost of ownership.





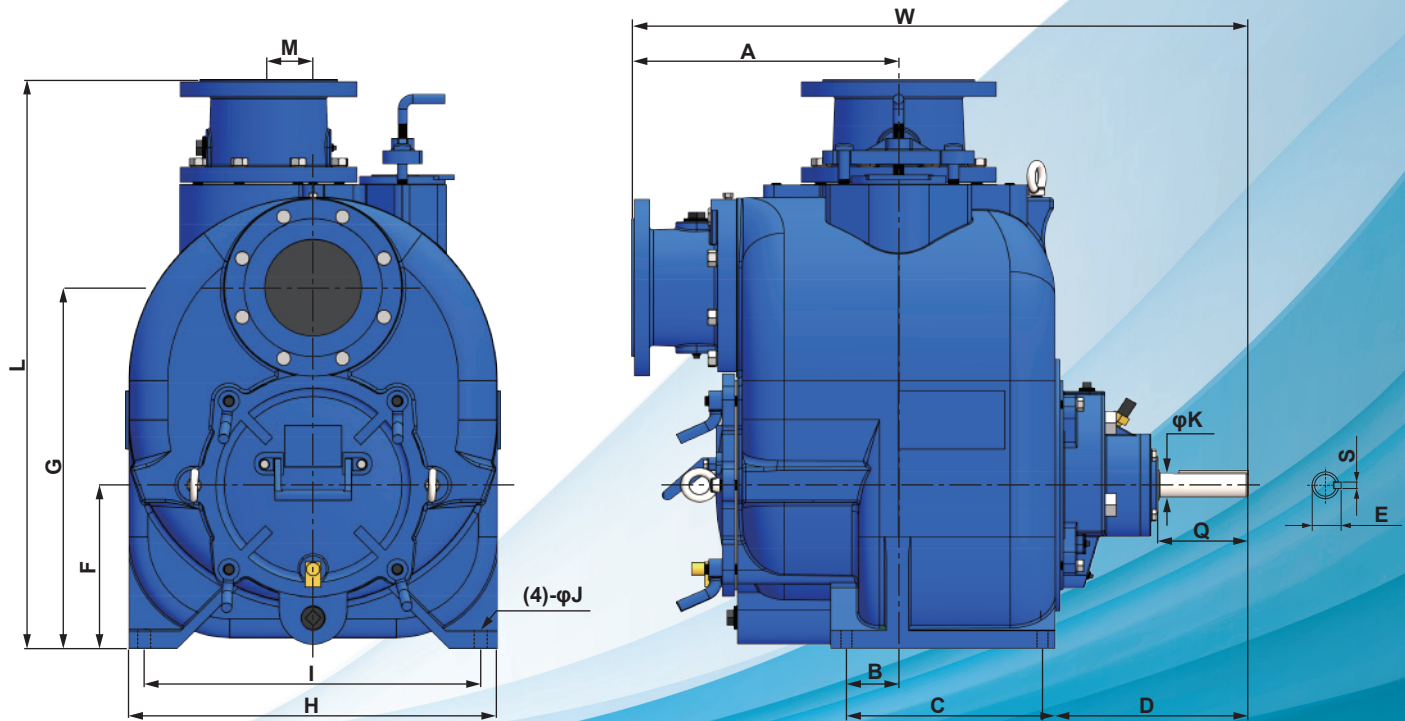
FFMCS T

SECTIONAL VIEW

PRODUCT FEATURES

FF MCST series pumps are designed for economical, trouble-free operation, the superior solids handling capabilities of the pump make it ideally suited for a variety of applications including solids-laden liquids and slurries. The impeller, seal, wears plate and flap valve can all be accessed through the cover plate opening for inspection or service. Atmospheric barrier along with a lip seal provide additional protection of bearings, also allows external monitoring. Cartridge mechanical seal is specifically designed for abrasive and or trash handling service. The entire rotating assembly can be removed without disturbing pump volute or piping .

OUTLINE DIMENSIONS

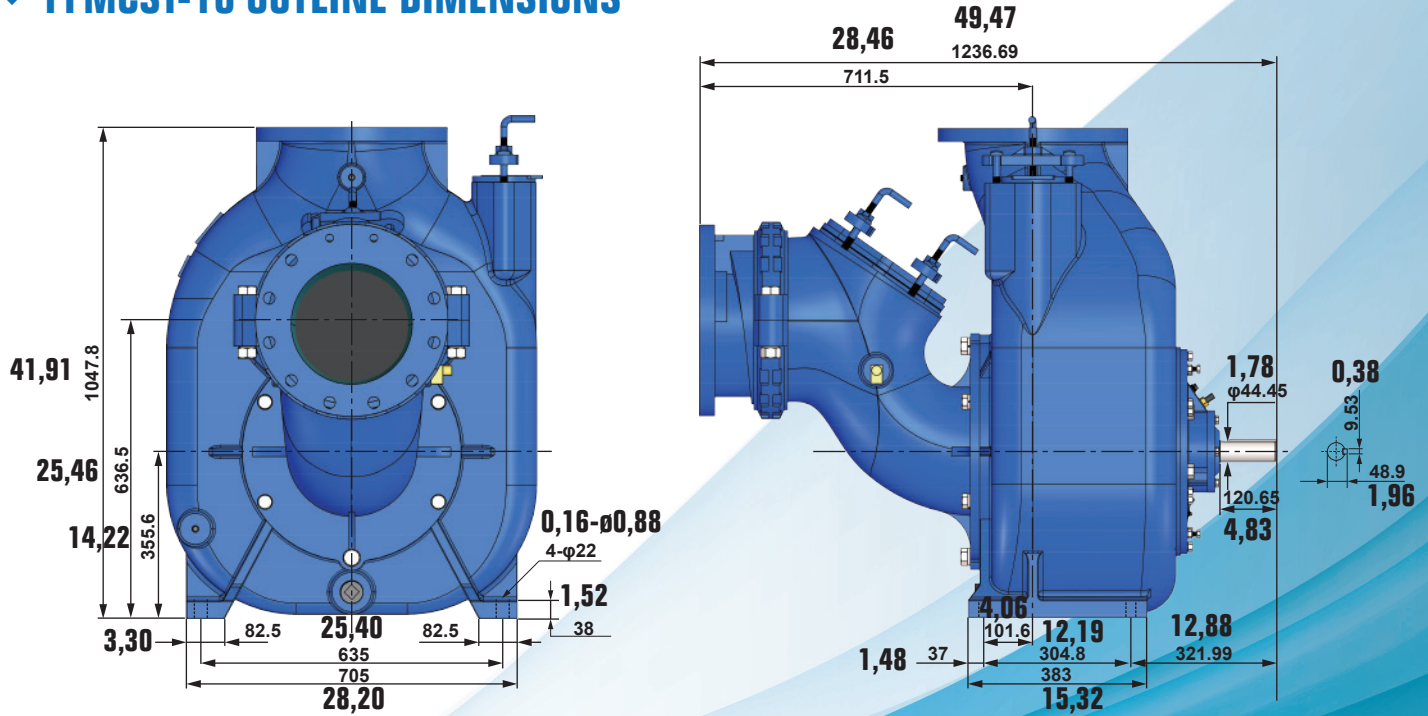


MM/IN

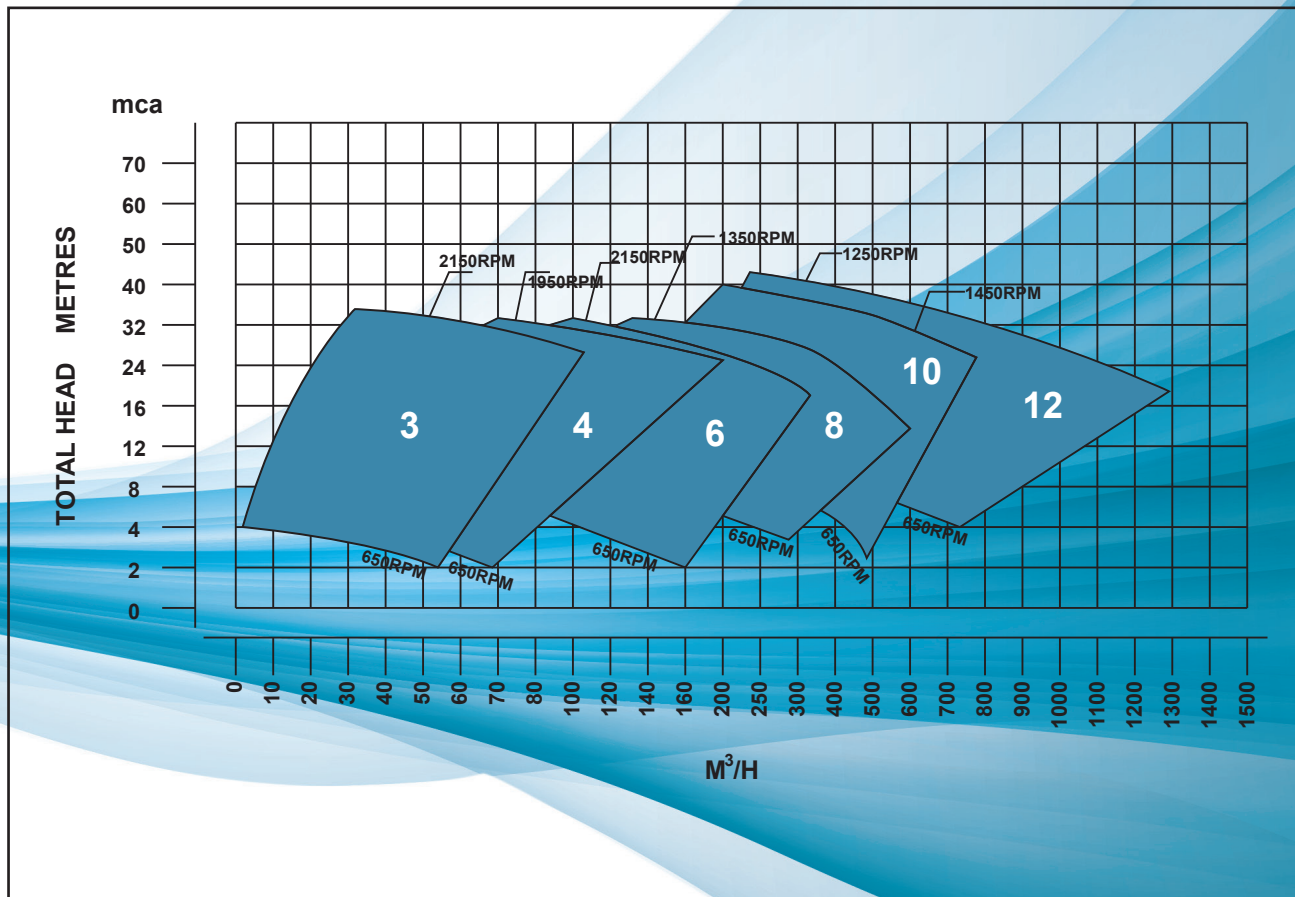
Pump Type	L	G	F	I	H	M	J	W	A	B	C	D	K	Q	S	E	Bare Pump Weight (kg)
FFMCST-3	686.8	431.8	190.5	393.7	431.8	69.9	18.0	733.6	293.1	76.2	228.6	288.1	38.1	101.6	9.53	42.6	247
FFMCST-4	742.3	495.3	222.3	457.2	505.0	69.9	18.0	813.6	316.6	76.2	279.4	293.8	38.1	127.0	9.53	42.6	324
FFMCST-6	896.6	568.5	257.2	527.1	580.0	69.9	18.0	899.7	402.9	77.8	279.4	295.2	38.1	127.0	9.53	42.6	463
FFMCST-8	1067.8	723.9	330.2	635.0	705.0	-	22.0	1028.8	411.4	101.6	304.8	414.2	44.5	168.0	9.53	48.9	730

Pump Type	L	G	F	I	H	M	J	W	A	B	C	D	K	Q	S	E	Bare Pump Weight (lbs)
FFMCST-3	27,47	17,27	7,62	15,75	17,27	2,80	0,72	29,34	11,72	3,05	9,14	11,52	1,52	4,06	0,38	1,70	544,54
FFMCST-4	29,69	19,81	8,89	18,29	20,20	2,80	0,72	32,54	12,66	3,05	11,18	11,75	1,52	5,08	0,38	1,70	714,30
FFMCST-6	35,86	22,74	10,29	21,08	23,20	2,80	0,72	35,99	16,12	3,11	11,18	11,81	1,52	5,08	0,38	1,70	1020,74
FFMCST-8	42,71	28,96	13,21	25,40	28,20	-	0,88	41,15	16,46	4,06	12,19	16,57	1,78	6,72	0,38	1,96	1609,37

▼ FFMCS T-10 OUTLINE DIMENSIONS



PERFORMANCE CHARTS



We are proud supplier for the following completed and on going projects :



75 Rockefeller Plaza
75 Rockefeller Plaza
New York, NY, USA



Zion Baptist Church
9802 76 Ave NW,
Edmonton, AB



La Malbaie Hospital
303 Saint Etienne Street,
La Malbaie, QC, CA



Catherine-de-Longpré Building
1075 Sainte-Foy Road,
15th Floor Quebec, CA

Sales and Service:

Quebec, Canada
Tel. : (450) 621-2995
Fax : (450) 621-4995

Lake Worth
Florida, USA
33467-5749

Toronto, Canada
Tel. : +1 (647) 544-2995

www.flofab.com

SERVICE 24/7 : parts@flofab.com

