



Slurry Pump

FFMCO Series



www.flofab.com

001-cat-2017-ffmco

HISTORY

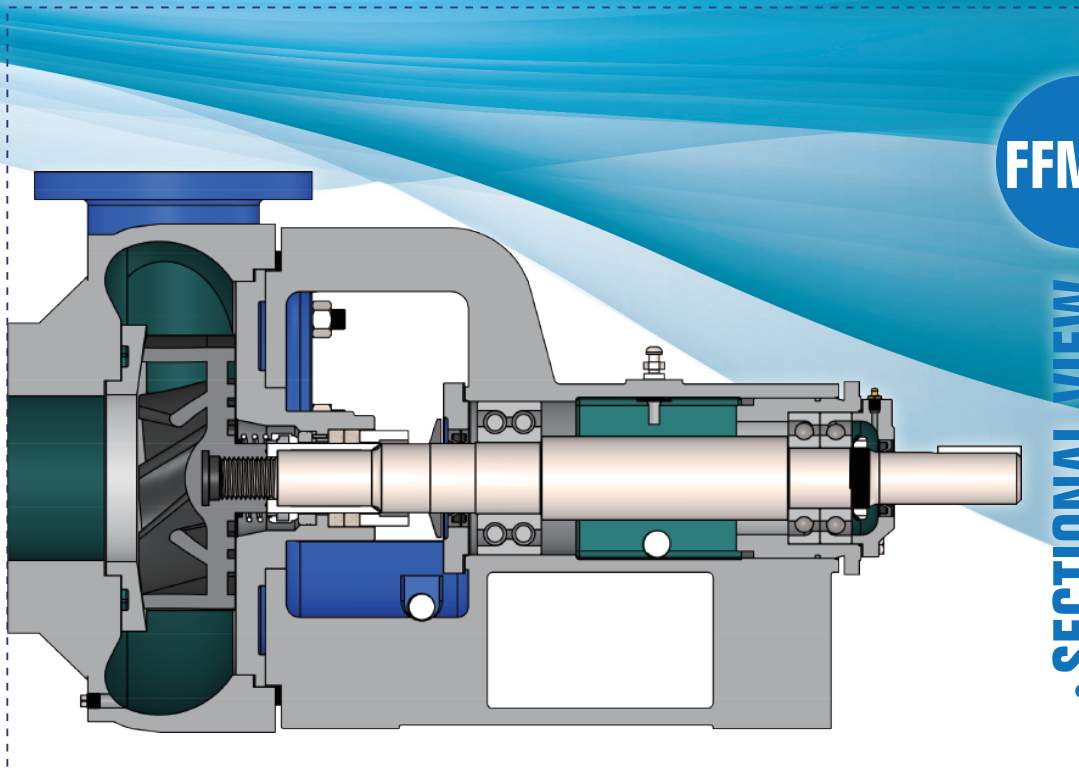
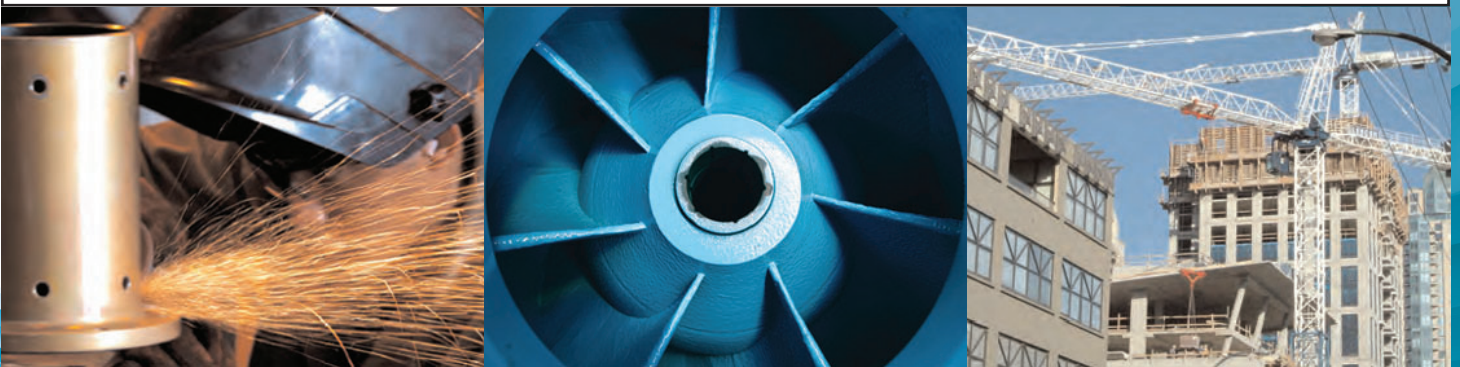
Flo Fab was established in 1981 by Denis Gauvreau who created and developed the products line and constantly being perfected by Marc Gauvreau, as well as by a team of professional engineers and designers. It's a combination of existing designs from several renowned products and the innovative ideas of a new generation professionals.

Through the years, Flo Fab has acquired several companies and service entities including : AQUA-PROFAB (ASME Tanks manufacturer), MÉNARD, LÉONARD ÉLECTRIQUE, PMA. , Furthermore Flo Fab purchased equipment, fabrication designs and patterns from IDEALCO, a manufacturer of shell and tube type heat exchangers.

The after sales services, sales, engineering, R&D, production, quality control, accounting and administration departments of all the above companies share the same location.

In December 2014, Marc Gauvreau, son of the founder, acquired all shares of The company. Flo Fab and is constantly investing in new state of the art innovations new product like the XRI series and Prefab Skid for Hydronic Heating & cooling system, pumping systems. This has allowed Flo Fab to retain competent and experienced staff of professionals with varied and specialized abilities that constantly work on improving our existing products and add new engineered solutions that exceeding customer's expectations .

Flo Fab has grown quite rapidly and now proudly offers of a wide range of products available directly from one manufacturer. This includes pumps & pump packages, tanks, heat exchangers & hydronic accessories. This allows each project stakeholders to enjoy economical savings, peace of mind, best value for their investment and optimized total cost of ownership.



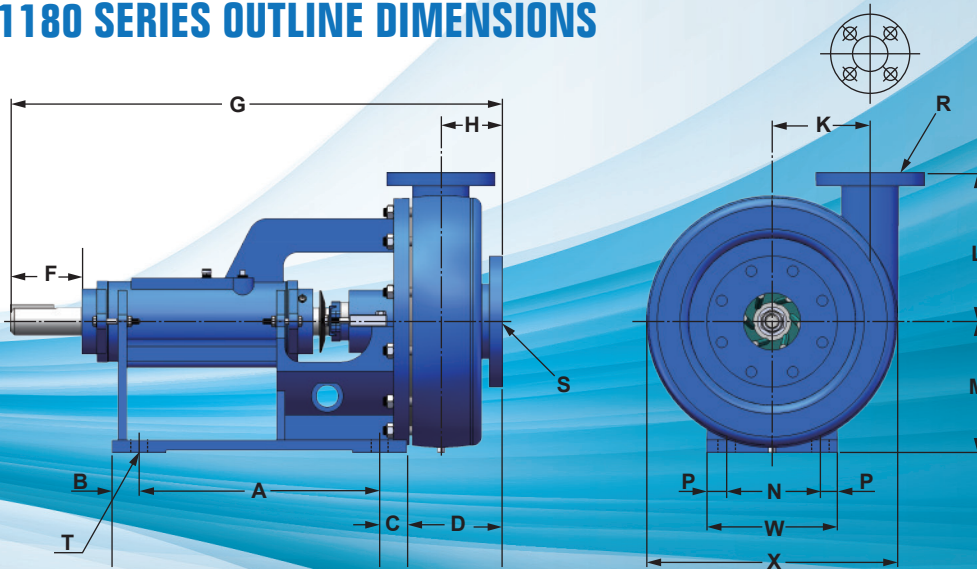
FFMCO

SECTIONAL VIEW

PRODUCT FEATURES

FFMCO series pumps are single stage centrifugal mud pump. They are applied to barite & mineral oil based drilling mud, bentonite, salt water slurry, chemical industry, etc. Thick, strong, concentric casing with replaceable casing wear pad provides extended life over conventional volute designs. Wide semi-open impeller creates lower axial thrust for improved bearing life, and semi-open design reduces the concentration of solids behind the impeller, extending the life of the mechanical seal or packing and stuffing box. There are two mechanical seal alternative, single or double mechanical seal. This stuffing box can be configured for flush lines.

▼ FFMCO 1180 SERIES OUTLINE DIMENSIONS



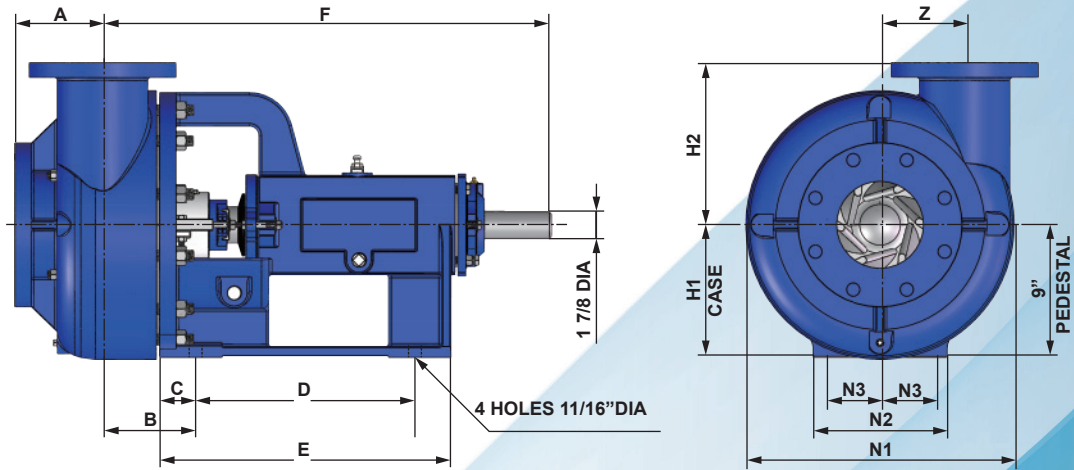
SERIES PEDESTAL, HOUSING & INSTALLATION DIMENSIONS

Pump Size	A	B	C	D	F	G	H	K	L	M	N	P	R	S	T	W	X
2x3 R & L	13	1 7/16	2 3/8	5 1/2	3 5/16	26 1/4	3 3/4	5 1/2	7 3/4	7	4 1/4	7/8	2	3	(4) 11/16	6	12
3x4 R & L	13	1 7/16	2 3/8	6 5/8	3 5/16	26 1/4	4 1/4	5	8	7	4 1/4	7/8	3	4	(4) 11/16	6	12 3/4

IN/MM

Pump Size	A	B	C	D	F	G	H	K	L	M	N	P	R	S	T	W	X
2x3 R & L	330,20	36,51	60,33	139,70	84,14	666,75	95,25	139,70	196,85	177,80	107,95	22,23	50,80	76,20	119,06	152,40	304,80
3x4 R & L	330,20	36,51	60,33	168,28	84,14	666,75	107,95	127,00	203,20	177,80	107,95	22,23	76,20	101,60	119,06	152,40	323,85

▼ FFMCO 2500 SERIES OUTLINE DIMENSIONS

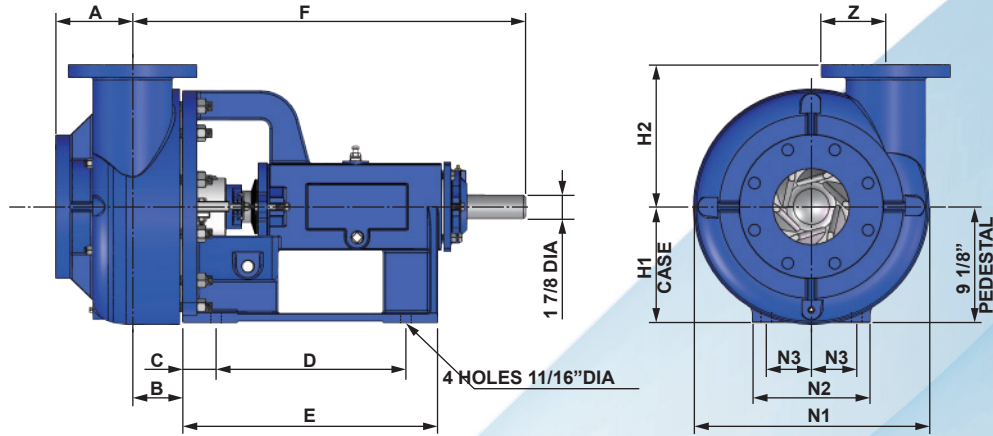


IN/MM

Pump Size	SUCT.	DISC.	A	F	H1	H2	Z	B	C	D	E	N1	N2	N3
3X2-13	3	2	3 3/4	29 1/4	8 15/16	10 1/4	7	8 3/4	2 5/16	15 7/16	19 7/16	17 7/8	9	3 1/2
4X3-13	4	3	4 1/4	29 3/8	8 15/16	10 1/4	6 3/4	9 3/8				17 7/8		
5X4-14	5	4	5	30	9 1/2	11	6 1/8	10 3/4				19		
6X5-11	6	5	5 3/4	30 11/16	9 1/16	11	6	12 1/16				17 7/8		
6X5-14	6	5	5 3/4	30 5/8	10 1/2	11	6	12 1/16				21		
8X6-11	8	6	6 1/4	31 1/4	10	14	8 3/8	13 1/4				23 7/8		
8X6-14	8	6	6 1/4	31 1/4	11 13/16	14	8 3/8	13 1/4				23 7/8		
10X8-14	10	8	6 11/16	31 1/4	11 3/16	14 3/16	8	13 11/16				22 7/8		

Pump Size	SUCT.	DISC.	A	F	H1	H2	Z	B	C	D	E	N1	N2	N3
3X2-13	3	2	95,25	742,95	227,01	260,35	177,80	222,25	58,74	392,11	493,71	454,03	228,60	88,90
4X3-13	4	3	107,95	746,13	227,01	260,35	171,45	238,13				454,03		
5X4-14	5	4	127,00	762,00	241,30	279,40	155,58	273,05				482,60		
6X5-11	6	5	146,05	779,46	230,19	279,40	152,40	306,39				454,03		
6X5-14	6	5	146,05	777,88	266,70	279,40	152,40	306,39				533,40		
8X6-11	8	6	158,75	793,75	254,00	355,60	212,73	336,55				606,43		
8X6-14	8	6	158,75	793,75	300,04	355,60	212,73	336,55				606,43		
10X8-14	10	8	169,86	793,75	284,16	360,36	203,20	347,66				581,03		

▼ FFMCO SM SERIES OUTLINE DIMENSIONS

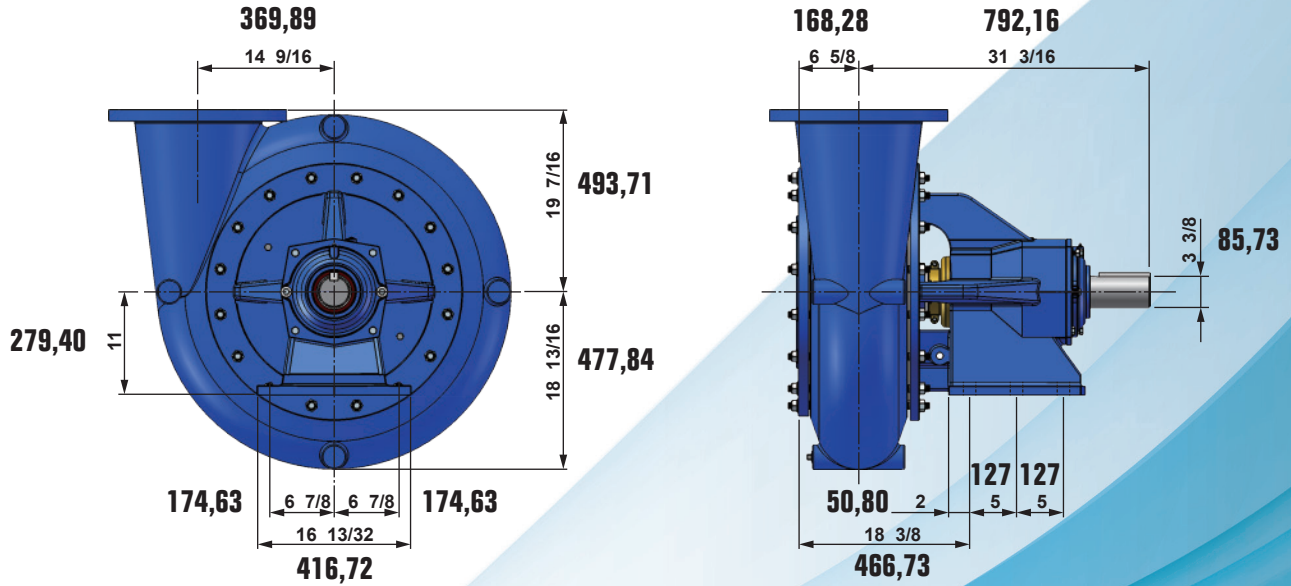


IN/MM

Pump Size	SUCT.	DISC.	A	F	H1	H2	Z	B	C	D	E	N1	N2	N3
3X2-13	3	2	3 3/4	25 1/16	8 15/16	10 1/4	7	8 3/4	4	11 1/4	17 3/4	17 7/8	15 1/4	6 9/16
4X3-13	4	3	4 1/4	25 1/8	8 15/16	10 1/4	6 3/4	9 3/8				17 7/8		
5X4-14	5	4	5	25 13/16	9 1/2	11	6 1/8	10 3/4				19		
6X5-11	6	5	5 3/4	26 3/8	9 1/16	11	6	12 1/16				17 7/8		
6X5-14	6	5	5 3/4	26 3/8	10 1/2	11	6	12 1/16				21		
8X6-11	8	6	6 1/4	27 1/16	10	14	8 3/8	13 1/4				20		
8X6-14	8	6	6 1/4	27 1/16	11 13/16	14	8 3/8	13 1/4				23 9/16		
10X8-14	10	8	6 11/16	27 1/16	11 3/16	14 3/16	8	13 11/16				22 3/8		

Pump Size	SUCT.	DISC.	A	F	H1	H2	Z	B	C	D	E	N1	N2	N3
3X2-13	3	2	95,25	636,59	227,01	260,35	177,80	222,25	101,60	285,75	450,85	454,03	387,35	166,69
4X3-13	4	3	107,95	638,18	227,01	260,35	171,45	238,13				454,03		
5X4-14	5	4	127,00	655,64	241,30	279,40	155,58	273,05				482,60		
6X5-11	6	5	146,05	669,93	230,19	279,40	152,40	306,39				454,03		
6X5-14	6	5	146,05	669,93	266,70	279,40	152,40	306,39				533,40		
8X6-11	8	6	158,75	687,39	254,00	355,60	212,73	336,55				508,00		
8X6-14	8	6	158,75	687,39	300,04	355,60	212,73	336,55				598,49		
10X8-14	10	8	169,86	687,39	284,16	360,36	203,20	347,66				568,33		

▼ FFMCO-XP SERIES OUTLINE DIMENSIONS

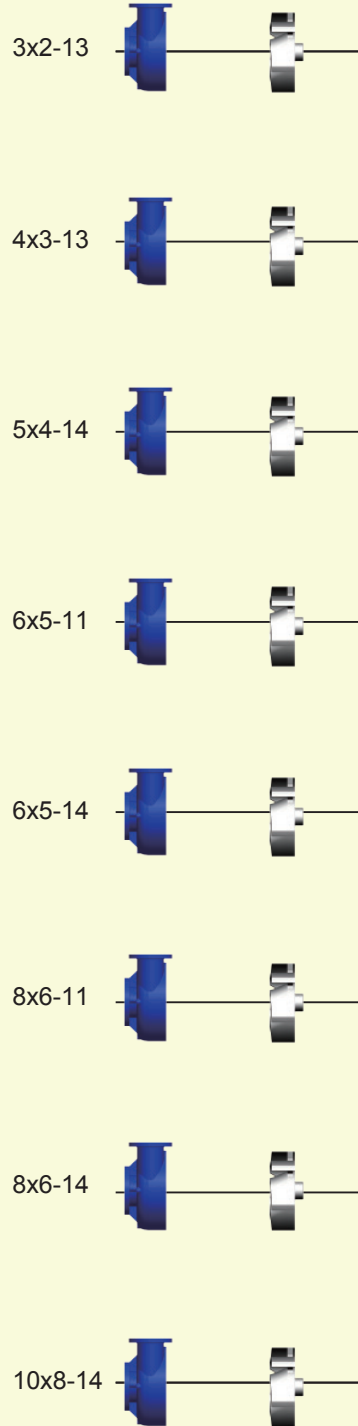
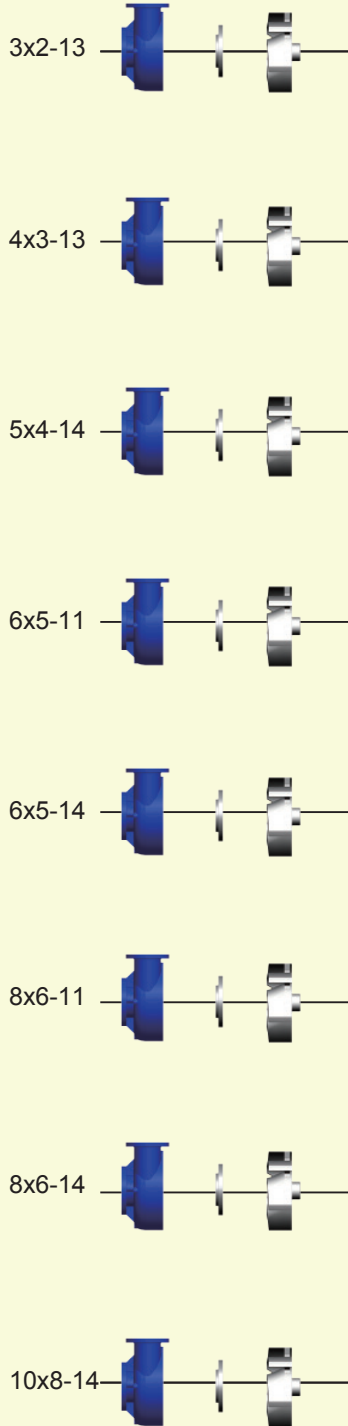


1 THE DISCHARGE FLANGE DRILLING FOR THE 14 x 12 XP HAS 12 HOLES, 10 HOLES THRU 1" DIA. & 2 HOLES TAPPED 7/8-9UNC-2B AS SHOWN, ON A 17" DIA. B.C

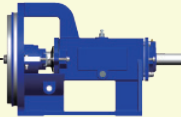
MODEL FFMCO INTERCHANGEABILITY & OUTLINE DIMENSION DRAWING

2500 Series

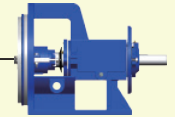
SM Series



Rotor Assembly

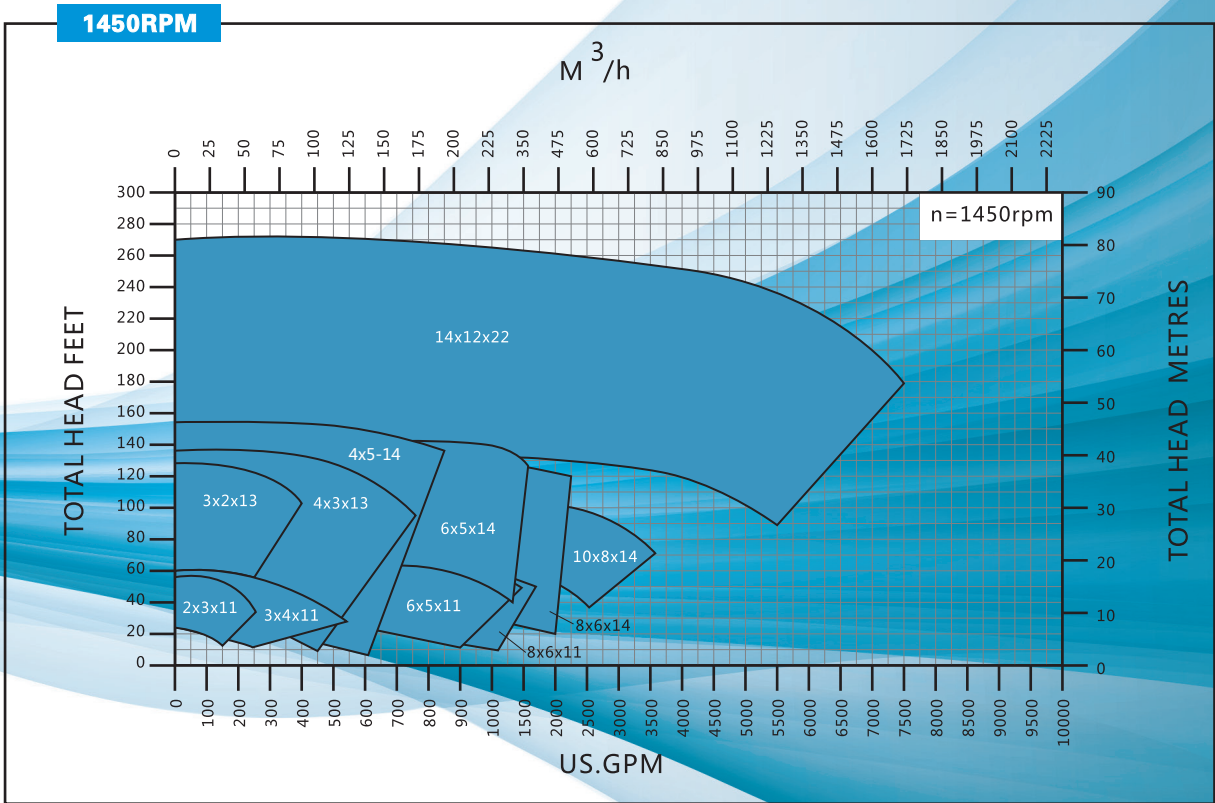


Rotor Assembly





• PERFORMANCE CHARTS •



We are proud supplier for the following completed and on going projects :



Chase Bank
60 E 42nd St, New York,
New York, USA



Physicians Regional Medical Center
1345 Avenue of the Americas, 48th Floor
New York, NY



Le St-Laurent Condos
8027 St-Laurent Boul.
Brossard,
Québec, Canada



Ericsson Montreal
8400 Boulevard Décarie,
Mont-Royal,
Québec, Canada

Sales and Service:

Quebec, Canada
Tel. : (450) 621-2995
Fax : (450) 621-4995

Lake Worth
Florida, USA
33467-5749

Toronto, Canada
Tel. : +1 (647) 544-2995

www.flofab.com

SERVICE 24/7 : parts@flofab.com

