

PSM 60Hz

**LIGHT VERTICAL MULTISTAGE CENTRIFUGAL PUMP
FOR NEMA C-FRAME MOTORS**



FLO FAB

www.flofab.com

Company profile

Flo Fab is a company which specialized in manufacturing and selling various pumps, tanks, and heat exchangers and its accessories. Our Factory occupies 30 thousand square feet, on 130 thousand square feet of land which is located in Bois-des-Filion

Quebec Canada. It

has a convenient transportation on major highways and is approximately 20 kilometers north of the city of Montreal. Our company pays great attention to product quality and the construction of quality management system. Our factory has been in business for more than 40 years.



Our company has over 50 employees including, engineering, designers, R & D and quality control department. The products manufactured are strictly in accordance to standard and every pump is guaranteed to be tested and qualified before being shipped. All tanks and heat exchangers are ASME certified and also tested before being release for shipment.

Our product range covers more than one thousand types over 15 series such as clear water supply, air conditioning, chemical, drainage, sewage handling, boiler feed, condensing, chilled water, heating pumps for municipal, power stations, chemical industry and new or existing buildings.



Our company is not only on track but finds out and designs with the new technology and new products, we devote ourselves in

developing new pumping products especially in vertical inline pumps. In recent years we are the first to launch the ZDRI and XRI horizontal, vertical pumps to easy-disassemble these pumps while not removing the pump from the pipeline and also not removing the electric motor.

We will respond to our customers with new and excellent products.





Content

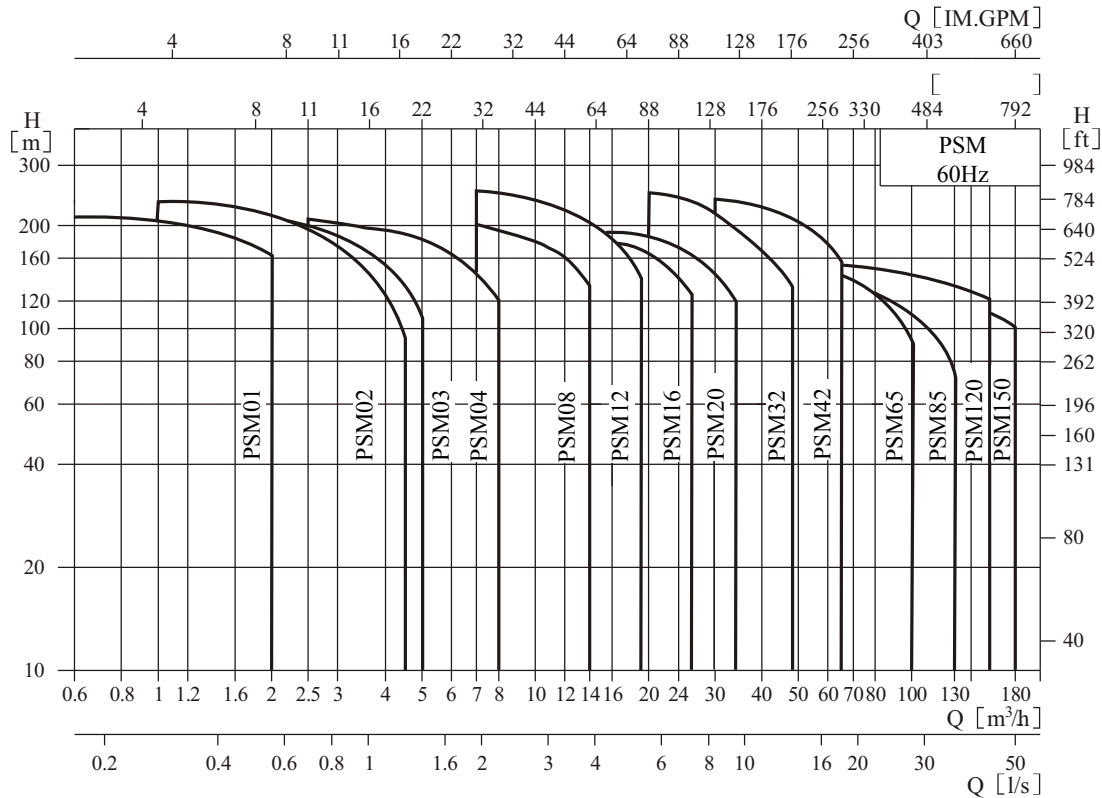
General Data

Performance scope -----	3
Product range -----	3
Pump -----	4
Max. inlet pressure -----	5
Max. working pressure -----	5
Curve illustration -----	6
Performance curve -----	6
Min. Inlet pressure NPSH -----	7
Operation in parallel -----	7
Materiel -----	8

Technical Data

PSM01--60 HZ -----	12
PSM02--60 HZ -----	14
PSM03--60 HZ -----	16
PSM04--60 HZ -----	18
PSM08--60 HZ -----	20
PSM12--60 HZ -----	22
PSM16--60 HZ -----	24
PSM20--60 HZ -----	26
PSM32--60 HZ -----	28
PSM42--60 HZ -----	30
PSM65--60 HZ -----	32
PSM85--60 HZ -----	34
PSM120--60 HZ -----	36
PSM150--60 HZ -----	38

● Performance scope



● Product range

Model	PSM01	PSM02	PSM03	PSM04	PSM08	PSM12	PSM16	PSM20	PSM32	PSM42	PSM65	PSM85	PSM120	PSM150
Rated Flow usgpm	4,4	8,8	13,2	17,6	35,2	52,8	70,4	88	140,8	184,8	286	374	52,8	660
Rated Flow (m3/h)	1	2	3	4	8	12	16	20	32	42	65	85	12	150
Rated Flow (l/s)	0,28	0,56	0,83	1,1	2,2	3,3	4,4	5,6	8,9	11,7	18	24	33	41,6
Flow Range usgpm	2.6-8	6.1-22	6.6-22	11-35.	30-62	30-83	44-114	52-150	88-211	132-286	176-440	264-572	264-704	352-792
Flow Range (m3/h)	0.6-2	1-4.5	1.5-5	2.5-8	7.14.	7,19	10.26.	12,34	20,48	30,65	40.100.	60.130.	60.160.	80.180.
Flow range (l/s)	0.17-0.56	0.28-1.25	0.42-1.4	0.7-2.2	1.9-3.9	1.9-5.3	2.8-7.2	3.3-9.4	5.5-13.3	8.3-18	11.1-27.7	16.7-36.1	16.7-44.4	22-50
Max pressure psi	323,4	345,45	338,1	308,7	294	367,5	294	294	367,5	382,2	264,6	220,5	220,5	205,8
Max pressure (bar)	22	23,5	23	21	20	25	20	20	25	26	18	15	15	14
Motor HP	0.5-5	0.75-5	0.5-5	1-7.5	1-15.	1.5-20	3-25.	3-25.	5-40.	7.5-60	10-60.	15-60	25-100	20-100
Motor power (kw)	0.37-3	0.55-4	0.37-4	0.75-5.5	0.75-11	1.1-15	2.2-18.5	2.2-18.5	3-30.	5.5-45	7.5-45	11.45.	18.5-75	15-75
Temperature F	5 @ 248													
Temperature (C)	-15 @ 120													
Max Efficiency (%)	44	46	54	59	64	63	66	69	76	78	80	81	74	73
Flange connection ANSI	1	1	1	1 1/4	1 1/2	2	2	2	2 1/2	3	4	4	5	5
Flange connection (DIN)	DN25	DN25	DN25	DN32	DN40	DN50	DN50	DN50	DN65	DN80	DN100	DN100	DN125	DN125
Flange Oval NPT	1	1	1	1 1/4	1 1/2									
Flange Oval (pipe)	G1	G1	G1	G1 1/4	G1 1/2									
Flange cutting ferrule joint	DN25	DN25	DN25	DN32	DN40	DN50	DN50	DN50						
Threaded	1	1	1	1 1/4	1 1/2									

General Data

● Pump

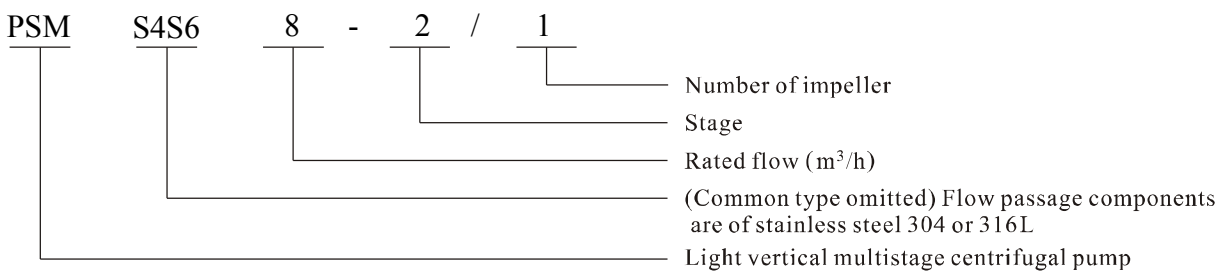
PSM is a kind of vertical non-self priming multistage centrifugal pump, which is driven by a standard electric motor. The motor output shaft directly connects with the pump shaft through a coupling. The pressure-resistant cylinder and flow passage components are fixed between pump head and inlet & outlet section with stay bolts. The inlet and outlet are located at the pump bottom at the same plane. This kind of pump can be equipped with an intelligent protector to effectively prevent it from dry-running, out-of-phase and overload.

● Motor

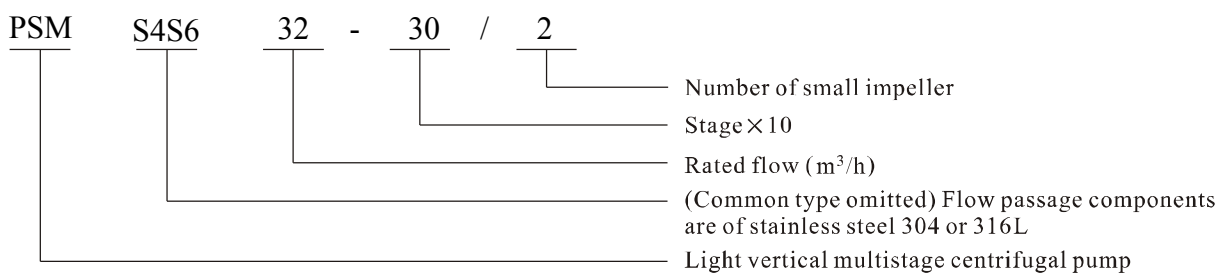
- Full-enclosed air-blast two-pole standard motor
- Protection class: IP55
- Insulation class: F
- Standard voltage: 60Hz: 3 × 200-230 / 346-400V
3 × 220-255 / 380-440V
3 × 220-277 / 380-480V

● Definition of Model

PSM01, 02, 03, 04, 08, 12, 16 and 20



PSM32, 42, 65, 85, 120 and 150



● Application

PSM is a kind of multifunctional products. It can be used to convey various medium from tap water to industrial liquid at different temperature and with different flow rate and pressure. PSM is applicable to conveying non-corrosive liquid, while PSM is suitable for slightly corrosive liquid.

- Water supply: Water filter and transport in Waterworks, boosting of main pipeline, boosting in high-rise buildings.
- Industrial boosting: Process flow water system, cleaning system, high-pressure washing system, fire fighting system.
- Industrial liquid conveying: Cooling and air-conditioning system, boiler water supply and condensing system, machine-associated purpose, acids and alkali.
- Water treatment: Ultrafiltration system, reverse osmosis system, distillation system, separator, swimming pool.
- Irrigation: Farmland irrigation, spray irrigation, drip-irrigation.

● Operation conditions

- Thin, clean, non-flammable and non-explosive liquid containing no solid granules and fibers.
- Liquid temperature:
Normal temperature type: -15°C ~ +70°C,
Hot water type: +70°C ~ +120°C
- Ambient temperature: up to +40°C
- Altitude: up to 1000m

● Max inlet pressure

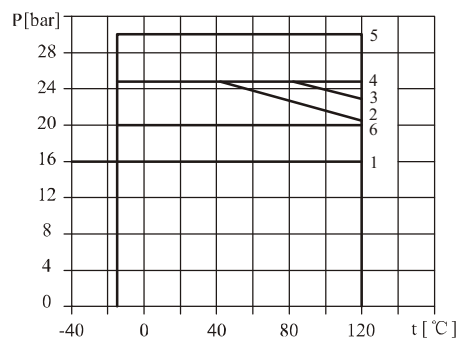
The maximum inlet pressure is shown in the table below. But the actual inlet pressure plus the valve close pressure of the pump shall be lower than the max. allowable working pressure.

MODEL	Max inlet pressure psi	Max inlet pressure Bar
PSM01		
1-2 to 1-6	88,26	6
1-7 to 1-25	147,1	10
PSM02		
2-2.	88,26	6
2-3 to 2-7	147,1	10
2-9 to 2-18	220,65	15
PSM03		
3-2 to 3-5	88,26	6
3-6 to 3-19	147,1	10
3-20 to 3-25	220,65	15
PSM04		
4-2.	88,26	6
4-3 to 4-8	147,1	10
4-10 to 4-16	220,65	15
PSM08		
8-2/1 to 8-5	88,26	6
8-6 to 8-14	147,1	10
PSM12		
12-2/1 to 12-4	88,26	6
12-5 to 12-14	147,1	10
PSM16		
16-2/1 to 16-2	88,26	6
16-3 to 16-10	147,1	10
PSM20		
20-1 to 20-2	88,26	6
20-3 to 20-10	147,1	10
PSM32		
32-10-1 to 32-30-2	58,84	4
32-30 to 32-70	147,1	10
32-80-2 to 32-100-2	220,65	15
PSM42		
42-10-1 to 42-20-2	58,84	4
42-20 to 42-40-2	147,1	10
42-40 to 42-70	220,65	15
PSM65		
65-10-1 to 65-20-2	58,84	4
65-20 to 65-30-2	147,1	10
65-30 to 65-50-2	220,65	15
PSM85		
85-10-1 to 85-10	58,84	4
85-20-2 to 85-20	147,1	10
85-30-2 to 85-40-2	220,65	15
PSM120, PSM150	220,65	15

● Max working pressure

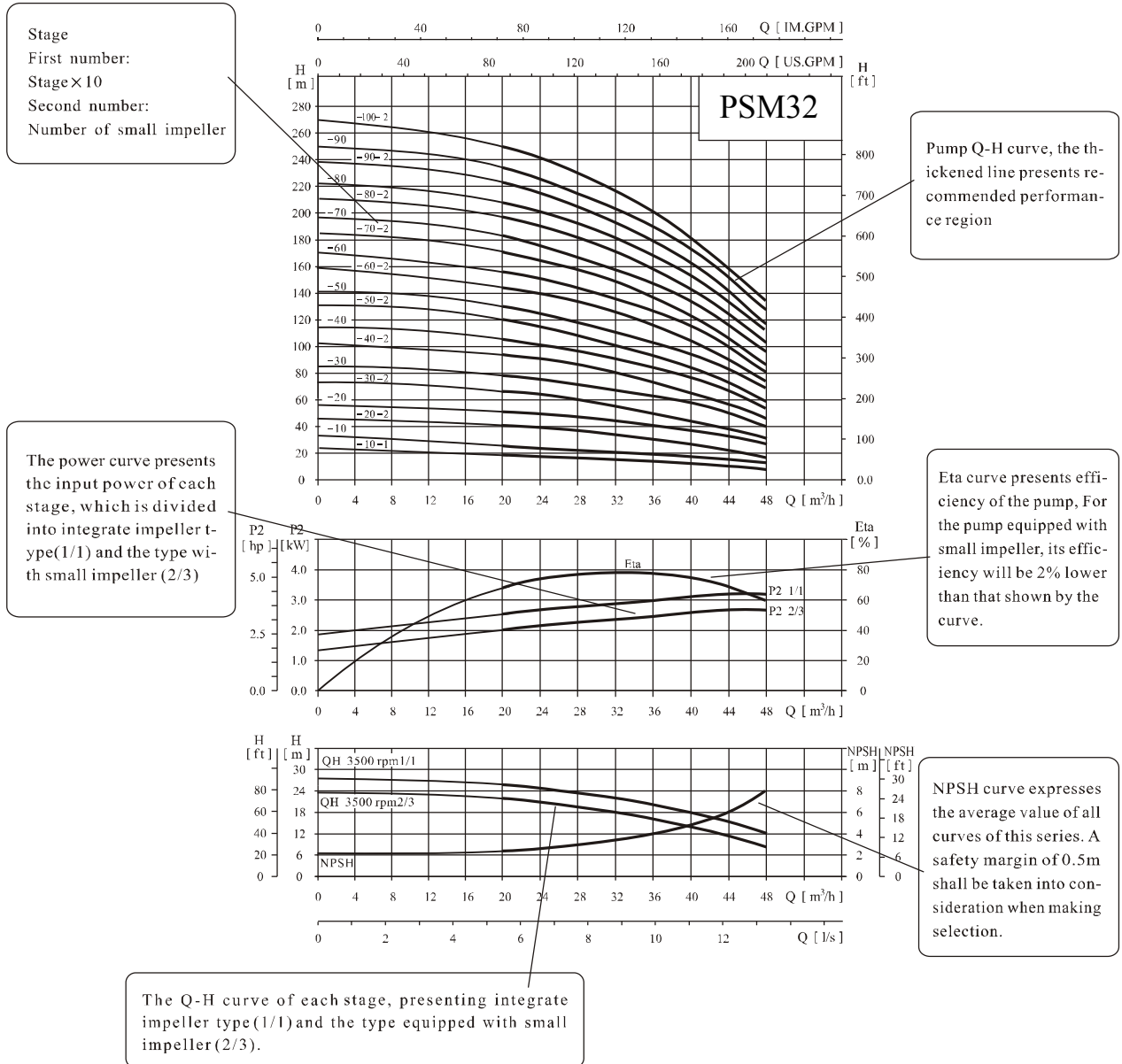
MODEL	curve number
PSM01	
1-2 to 1-17	1
1-19 to 1-25	2
PSM02	
2-2.to 2-11	1
2-13 to 2-18	2
PSM03	
3-2 to 3-15	1
3-17 to 3-25	2
PSM04	
4-2 to 4-10	1
4-12 to 4-16	2
PSM08	
8-2/1 to 8-8	1
8-10 to 8-14	3
PSM12	
12-2/1 to 12-7	1
12-8 to 12-14	3
PSM16	
16-2 to 16-6	1
16-7 to 16-10	3
PSM20	
20-1 to 20-4	1
20-5 to 20-10	3
PSM32	
32-10-1 to 32-50-2	1
32-50 to 32-90-2	4
32-90 to 32-100-2	5
PSM42	
42-10-1 to 42-30	1
42-40-2 to 42-60	4
42-70-2 to 42-70	5
PSM65	
65-10-1 to 65-30	1
65-40-2 to 65-50-2	4
PSM85	
85-10-1 to 85-30	1
85-40-2	4
PSM120, PSM150	6

The following figure shows the limitation of pressure and temperature, which shall be in the scope as shown in the figure.



General Data

Curve illustration



Performance curve

Following conditions are suitable for the performance curves shown below:

- 1、 All curves are based on the measured values of 60Hz: constant motor speed 3500 rpm or 3540rpm.
- 2、 Curve tolerance in conformity with ISO9906 Annex A.
- 3、 Measurement is done with 20°C air-free water, kinematic viscosity of 1mm²/sec.

4、 The operation of pump shall refer to the performance region indicated by the thickened curve to prevent overheating due to too small flow rate or overload of motor due to too large flow rate.

● Minimum inlet pressure NPSH

In case that the pressure in pump is lower than the steam pressure used to convey liquid, the cavitations will occur. To avoid cavitations, a minimum pressure at the inlet side of the pump shall be guaranteed. The maximum suction stroke can be calculated with following formula:

$$H = P_b \times 10.2 - \text{NPSH} - H_f - H_v - H_s$$

P_b = atmosphere pressure [bar]

(can be set as 1bar)

In a closed system, P_b means system pressure [bar]

NPSH = Net positive suction head [m]

(It can be read out from the point of possible max.

flow rate shown on NPSH curve)

H_f = Pipeline loss at the inlet [m]

H_v = Steam pressure [m]

H_s = Safety margin = Minimum 0.5m delivery head

If the calculated result H is positive, the pump may run under the max. Suction stroke H .

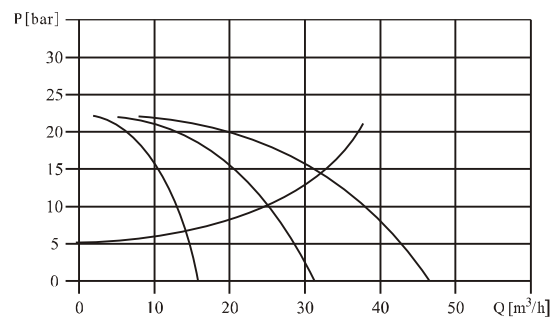
In case the calculated result H is negative, a delivery head of min. Inlet pressure is necessary.

● Operation in parallel

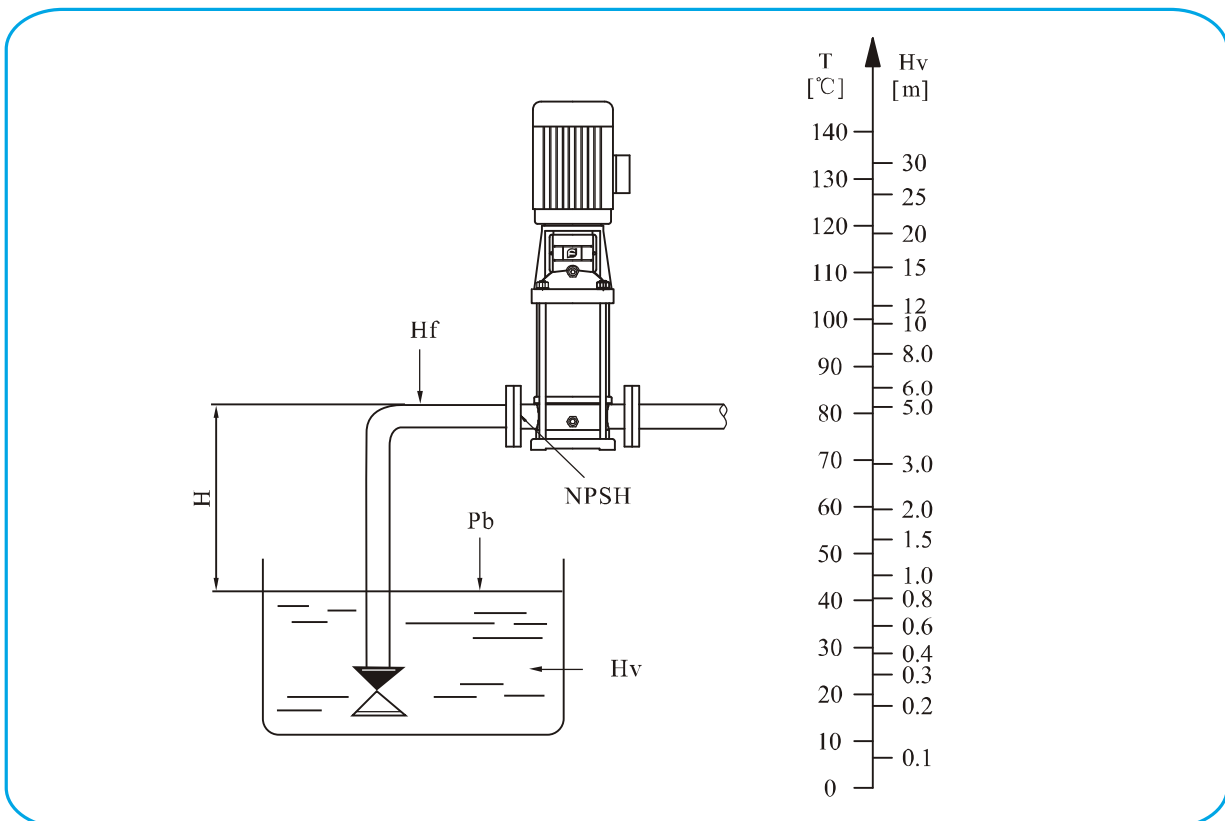
Connecting several pumps in parallel running will benefit much more than running a single large pump.

- Applicable to different working states necessary in a variable flow system.

- Increasing the possibility of water supply when the pump is in failure. Because in case of pump failure, only part of the system flow is effected.



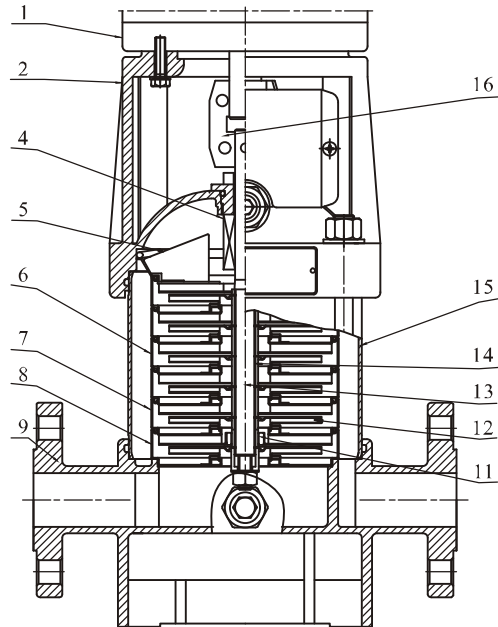
Two pumps or more can be connected in parallel running if necessary.



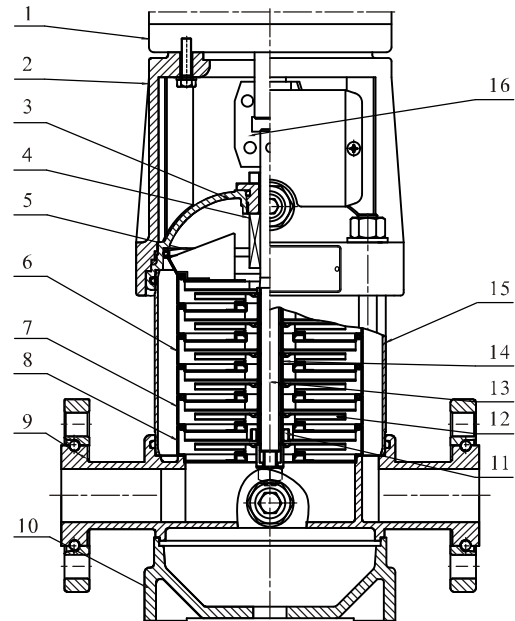
Check and ensure that the pump is not at cavitations state.

General Data

● Section Drawing PSM01, 02, 03, 04



PSM



PSMS4S6

● Material PSM01, 02, 03, 04

NO.	Name	Material	AISI/ASTM
1	Motor		
2	Pump head	Cast iron	ASTM25B
4	Mechanical seal		
5	Top diffuser	Stainless steel	AISI304
6	Diffuser	Stainless steel	AISI304
7	Support diffuser	Stainless steel	AISI304
8	Inducer	Stainless steel	AISI304
11	Bearing	Tungsten carbide	
12	Impeller	Stainless steel	AISI304
13	Shaft	Stainless steel	AISI304 AISI316L

NO.	Name	Material	AISI/ASTM
14	Impeller sleeve	Stainless steel	AISI304
15	Cylinder	Stainless steel	AISI304
16	Coupling	Carbon steel	

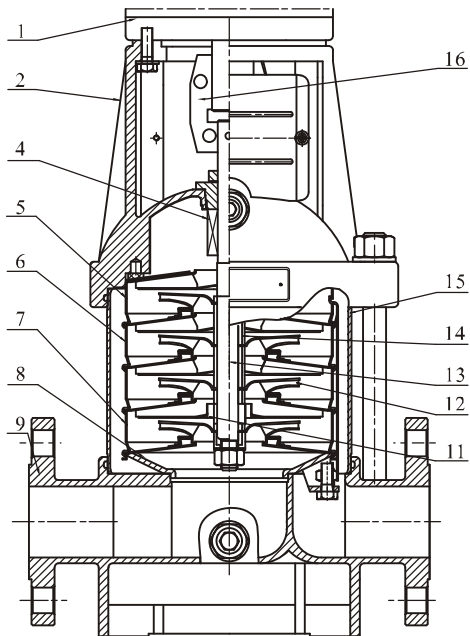
PSMS4S6

3	Seal base	Stainless steel	AISI304
9	Inlet and outlet chamber	Stainless steel	AISI304
10	Base plate	Cast iron	ASTM25B

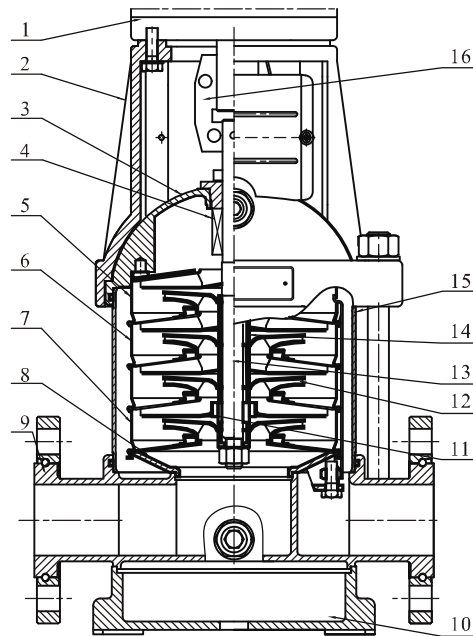
PSM

9	Inlet and outlet chamber	Cast iron	ASTM25B
---	--------------------------	-----------	---------

● Section Drawing PSM08, 12, 16, 20



PSM



PSMS4S6

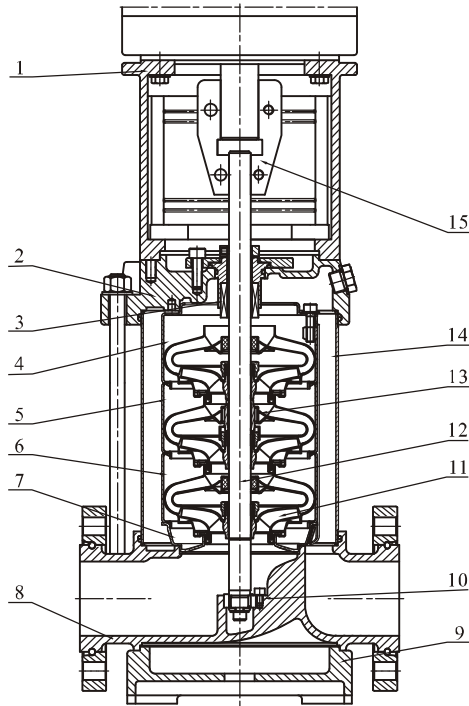
● Material PSM08, 12, 16, 20

NO.	Name	Material	AISI/ASTM
1	Motor		
2	Pump head	Cast iron	ASTM25B
4	Mechanical seal		
5	Top diffuser	Stainless steel	AISI304
6	Diffuser	Stainless steel	AISI304
7	Support diffuser	Stainless steel	AISI304
8	Inducer	Stainless steel	AISI304
11	Bearing	Tungsten carbide	
12	Impeller	Stainless steel	AISI304
13	Shaft	Stainless steel	AISI304 AISI316L

NO.	Name	Material	AISI/ASTM
14	Impeller sleeve	Stainless steel	AISI304
15	Cylinder	Stainless steel	AISI304
16	Coupling	Carbon steel	
PSMS4S6			
3	Seal base	Stainless steel	AISI304
9	Inlet and outlet chamber	Stainless steel	AISI304
10	Base plate	Cast iron	ASTM25B
PSM			
9	Inlet and outlet chamber	Cast iron	ASTM25B

General Data

● Section Drawing PSM32, 42, 65, 85



● Material PSM32, 42, 65, 85

NO.	Name	Material	AISI/ASTM
1	Bracket	Cast iron	ASTM25B
3	Mechanical seal		
4	Top diffuser	Stainless steel	AISI304
5	Support diffuser	Stainless steel	AISI304
6	Diffuser	Stainless steel	AISI304
7	Inducer	Stainless steel	AISI304
9	Base plate	Cast iron	ASTM25B
10	Bottom bearing	Tungsten carbide	
11	Impeller	Stainless steel	AISI304

NO.	Name	Material	AISI/ASTM
12	Shaft	Stainless steel	AISI316L AISI304 AISI431
13	Intermediate bearing	Tungsten carbide	
14	Cylinder	Stainless steel	AISI304
15	Coupling	Carbon steel	
	Rubber parts	NBR	

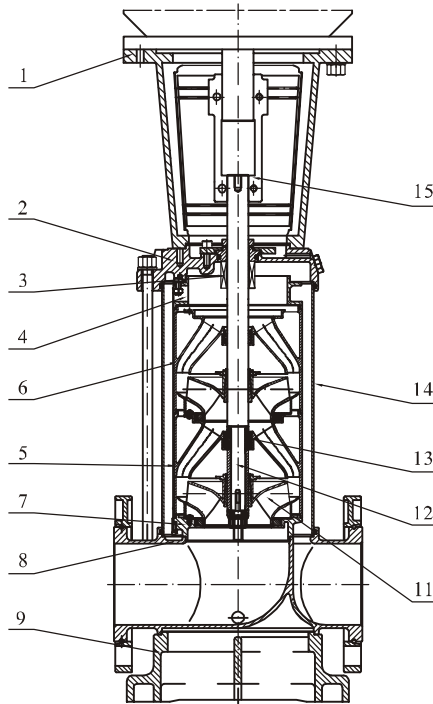
PSM

2	Pump head	Cast iron	ASTM25B
8	Inlet and outlet chamber	Cast iron	ASTM25B

PSMS4S6

2	Pump head	Stainless steel	AISI304
8	Inlet and outlet chamber	Stainless steel	AISI304

● Section Drawing PSM120, 150



● Material PSM120, 150

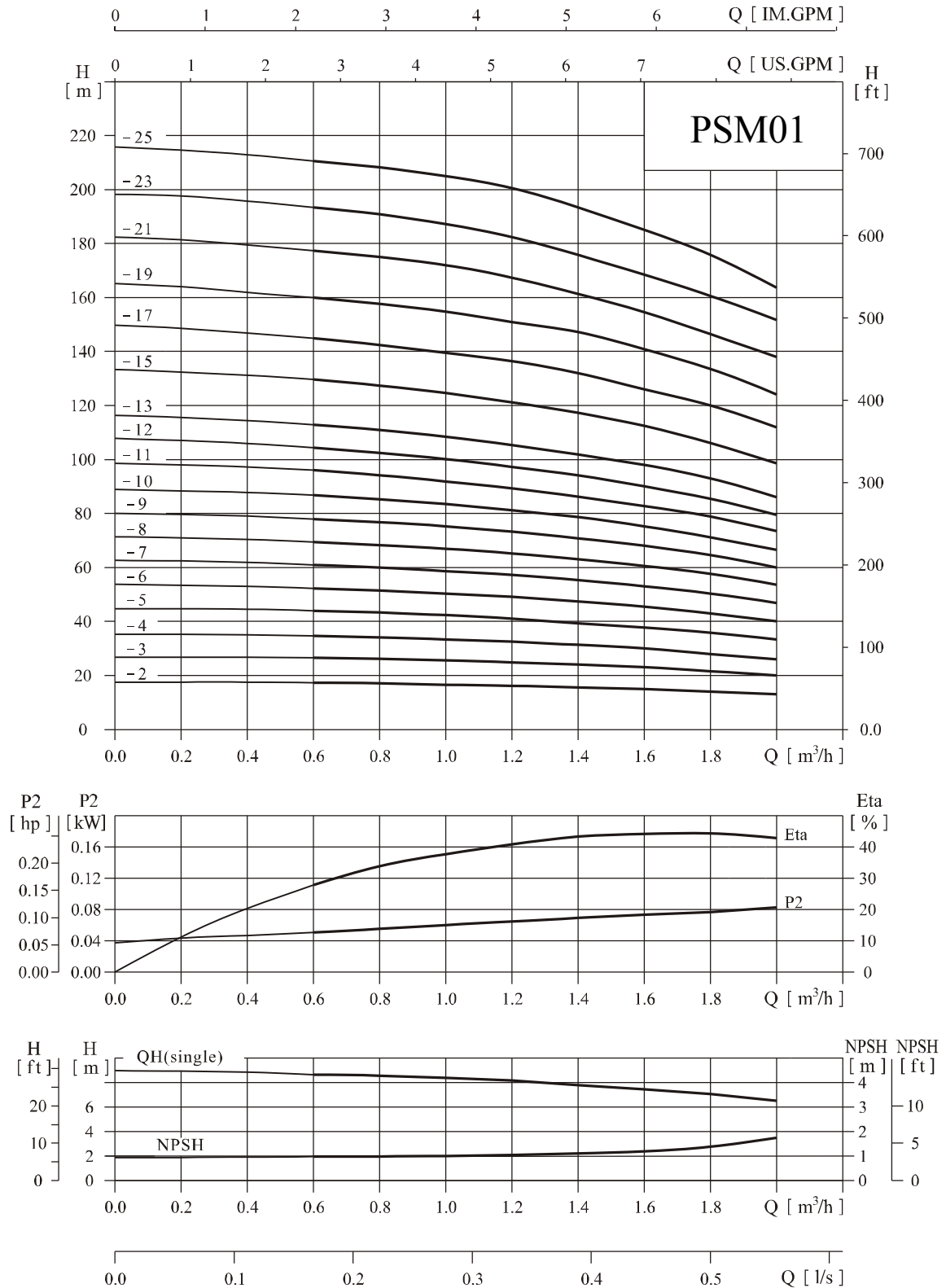
NO.	Name	Material	AISI/ASTM
1	Bracket	Cast iron	ASTM25B
3	Mechanical seal		
4	Discharge	Stainless steel	AISI304
5	Support diffuser	Stainless steel	AISI304
6	Diffuser	Stainless steel	AISI304
7	Inducer	Stainless steel	AISI304
9	Base plate	Cast iron	ASTM 80-55-06
11	Impeller	Stainless steel	AISI304
12	Shaft	Stainless steel	AISI304

NO.	Name	Material	AISI/ASTM
13	Bearing	Tungsten carbide	
14	Cylinder	Stainless steel	AISI304
15	Coupling	Carbon steel	
	Rubber parts	NBR	
PSM			
2	Pump head	Cast iron	ASTM 80-55-06
8	Inlet and outlet chamber	Cast iron	ASTM 80-55-06
PSMS4S6			
2	Pump head	Stainless steel	AISI304
8	Inlet and outlet chamber	Stainless steel	AISI304

PSM01, 60Hz

● Performance curve

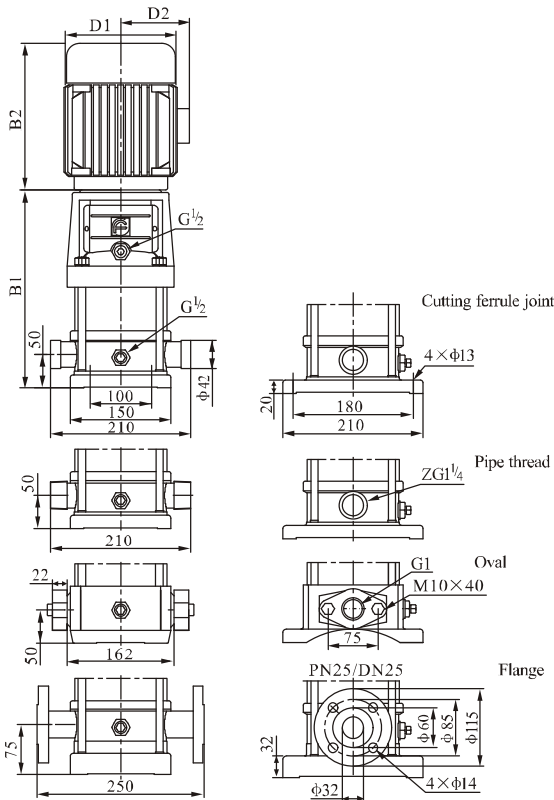
ISO9906 Annex A 3500rpm



Performance table

Model	Motor		USGPM Q (m3h)	2,64	3,52	4,4	5,28	6,16	7,04	7,92	8,8
	HP	KW		feet head	feet head	feet head	feet head	feet head	feet head	feet head	feet head
PSM01-2	0,5	0,37	H (meter)	57,4	55,76	54,12	52,48	50,84	49,2	45,92	42,64
			H (meter)	17,5	17	16,5	16	15,5	15	14	13
PSM01-3	0,5	0,37	H (meter)	86,92	85,28	82	78,72	75,44	72,16	68,88	65,6
			H (meter)	26,5	26	25	24	23	22	21	20
PSM01-4	0,5	0,37	H (meter)	114,8	111,52	108,24	104,96	101,68	98,4	91,84	85,28
			H (meter)	35	34	33	32	31	30	28	26
PSM01-5	0,75	0,55	H (meter)	114,8	111,52	108,24	104,96	101,68	98,4	91,84	85,28
			H (meter)	43	42	41	40	39	38	35	33
PSM01-6	0,75	0,55	H (meter)	170,56	167,28	164	157,44	154,16	145,9,6	141,04	127,92
			H (meter)	52	51	50	48	47	44,5	43	39
PSM01-7	1	0,75	H (meter)	196,8	193,52	190,24	183,68	180,4	170,56	164	150,88
			H (meter)	60	59	58	56	55	52	50	46
PSM01-8	1	0,75	H (meter)	223,04	219,76	213,2	209,92	203,36	193,52	186,96	173,84
			H (meter)	68	67	65	64	62	59	57	53
PSM01-9	1	0,75	H (meter)	249,28	246	242,72	239,44	232,88	216,48	209,92	196,8
			H (meter)	76	75	74	73	71	66	64	60
PSM01-10	1,5	1,1	H (meter)	278,8	275,52	272,24	265,68	255,84	242,72	236,16	219,76
			H (meter)	85	84	83	81	78	74	72	67
PSM01-11	1,5	1,1	H (meter)	311,6	305,04	295,2	285,36	278,8	265,68	255,84	239,44
			H (meter)	95	93	90	87	85	81	78	73
PSM01-12	1,5	1,1	H (meter)	337,84	334,56	321,44	314,88	301,76	288,64	282,08	259,12
			H (meter)	103	102	98	96	92	88	86	79
PSM01-13	1,5	1,1	H (meter)	367,36	360,8	350,96	344,4	328	311,6	305,04	282,08
			H (meter)	112	110	107	105	100	95	93	86
PSM01-15	2	1,5	H (meter)	416,56	410	403,44	396,88	383,76	367,36	350,96	324,72
			H (meter)	127	125	123	121	117	112	107	99
PSM01-17	2	1,5	H (meter)	472,32	462,48	455,92	449,36	432,96	406,72	393,6	367,36
			H (meter)	144	141	139	137	132	124	120	112
PSM01-19	3	2,2	H (meter)	524,8	514,96	508,4	501,84	482,16	462,48	439,52	406,72
			H (meter)	160	157	155	153	147	141	134	124
PSM01-21	3	2,2	H (meter)	580,56	570,72	564,16	551,04	531,36	501,84	482,16	452,64
			H (meter)	177	174	172	168	162	153	147	138
PSM01-23	3	2,2	H (meter)	633,04	623,2	616,64	603,52	570,72	547,76	528,08	498,56
			H (meter)	193	190	188	184	174	167	161	152
PSM01-25	5	3	H (meter)	688,8	678,96	672,4	662,56	629,76	603,52	577,28	537,92
			H (meter)	210	207	205	202	192	184	176	164

Installation sketch



PSM01-19 ~1-25 sub-connection of pipeline has no oval flange connection.

The overall dimensions of the single-phase motor and explosion-proof motor are a little different. Pls contact us for details.

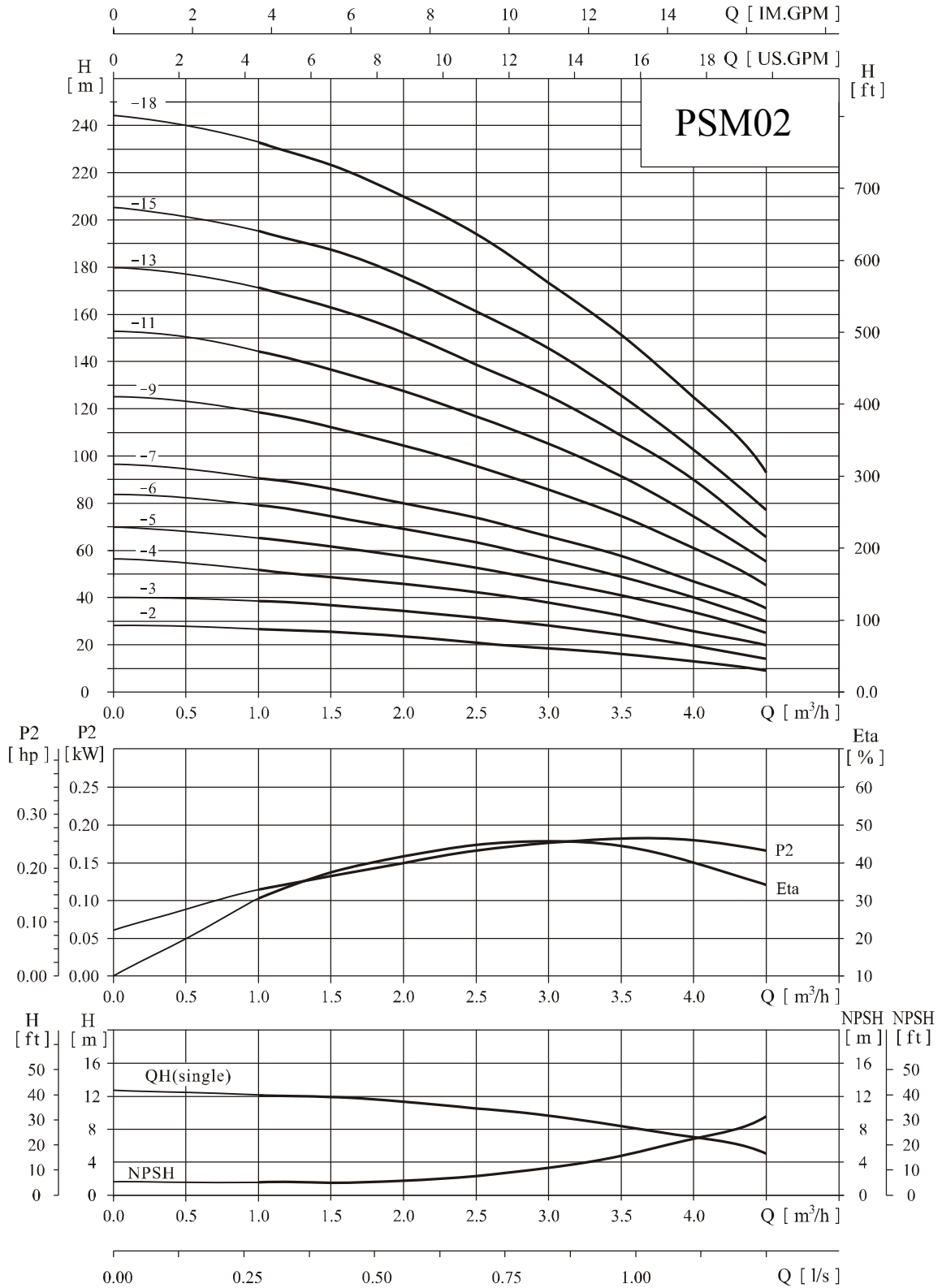
Size and weight

Model		Weight				lbs	kgs
		B1	B2	D1	D2		
PSM01-2	inches	10,062	8,19	5,772	4,563	44	20
	mm	258	210	148	117		
PSM01-3	inches	10,764	8,19	5,772	4,563	44	20
	mm	276	210	148	117		
PSM01-4	inches	11,466	8,19	5,772	4,563	44	20
	mm	294	210	148	117		
PSM01-5	inches	12,168	8,19	5,772	4,563	44	20
	mm	312	210	148	117		
PSM01-6	inches	12,87	8,19	5,772	4,563	48,4	22
	mm	330	210	148	117		
PSM01-7	inches	13,962	9,555	6,63	5,538	55	25
	mm	358	245	170	142		
PSM01-8	inches	14,664	9,555	6,63	5,538	55	25
	mm	376	245	170	142		
PSM01-9	inches	15,366	9,555	6,63	5,538	55	25
	mm	394	245	170	142		
PSM01-10	inches	16,068	9,555	6,63	5,538	61,6	28
	mm	412	245	170	142		
PSM01-11	inches	16,77	9,555	6,63	5,538	61,6	28
	mm	430	245	170	142		
PSM01-12	inches	17,472	9,555	6,63	5,538	61,6	28
	mm	448	245	170	142		
PSM01-13	inches	18,174	9,555	6,63	5,538	61,6	28
	mm	466	245	170	142		
PSM01-15	inches	19,968	11,31	7,41	6,045	66	30
	mm	512	290	190	155		
PSM01-17	inches	21,372	11,31	7,41	6,045	66	30
	mm	548	290	190	155		
PSM01-19	inches	22,776	11,31	7,41	6,045	77	35
	mm	584	290	190	155		
PSM01-21	inches	24,18	11,31	7,41	6,045	77	35
	mm	620	290	190	155		
PSM01-23	inches	25,584	11,31	7,41	6,045	88	40
	mm	656	290	190	155		
PSM01-25	inches	27,378	12,285	7,683	6,435	99	45
	mm	702	315	197	165		

PSM02, 60Hz

● Performance curve

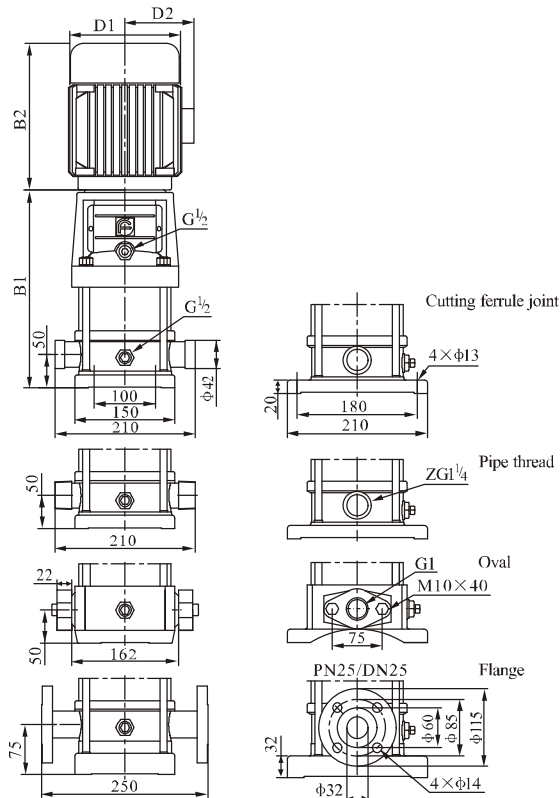
ISO9906 Annex A 3500rpm



● Performance table

Model	Motor		USGPM	4,4	6,6	8,8	11	13,2	15,4	17,6	19,8
	HP	KW	Q (m3h)	1	1,5	2	2,5	3	3,5	4	4,5
PSM02-2	0,75	0,55	feet head	85,28	78,72	72,16	68,88	59,04	52,48	39,36	29,52
			H (meter)	26	24	22	21	18	16	12	9
PSM02-3	1	0,75	feet head	127,92	118,08	108,24	101,68	88,56	78,72	62,32	49,2
			H (meter)	39	36	33	31	27	24	19	15
PSM02-4	1,5	1,1	feet head	170,56	157,44	147,6	137,76	118,08	104,96	85,28	65,6
			H (meter)	52	48	45	42	36	32	26	20
PSM02-5	1,5	1,1	feet head	213,2	196,8	186,96	170,56	150,88	134,48	104,96	82
			H (meter)	65	60	57	52	46	41	32	25
PSM02-6	1,5	1,1	feet head	255,84	242,72	226,32	206,64	183,68	160,72	131,2	98,4
			H (meter)	78	74	69	63	56	49	40	30
PSM02-7	2	1,5	feet head	298,48	282,08	265,68	242,72	216,48	186,96	154,16	114,8
			H (meter)	91	86	81	74	66	57	47	35
PSM02-9	3	2,2	feet head	383,76	364,08	341,12	311,6	282,08	246	200,08	147,6
			H (meter)	117	111	104	95	86	75	61	45
PSM02-11	3	2,2	feet head	469,04	446,08	419,84	380,48	341,12	295,2	246	183,68
			H (meter)	143	136	128	116	104	90	75	56
PSM02-13	5	3	feet head	560,88	534,64	498,56	455,92	413,28	354,24	295,2	216,48
			H (meter)	171	163	152	139	126	108	90	66
PSM02-15	5	3	feet head	639,6	610,08	577,28	524,8	465,76	410	337,84	252,56
			H (meter)	195	186	176	160	142	125	103	77
PSM02-18	5	4	feet head	767,52	747,84	695,36	639,6	560,88	495,28	413,28	308,32
			H (meter)	234	228	212	195	171	151	126	94

● Installation sketch



PSM02-13~02-18 sub-connection of pipeline has no oval flange connection.

The overall dimensions of the single-phase motor and explosion-proof motor are a little different. Pls contact us for details.

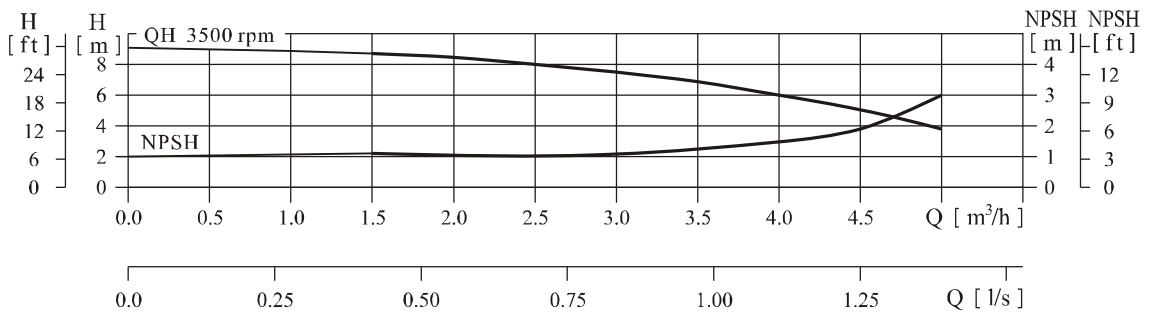
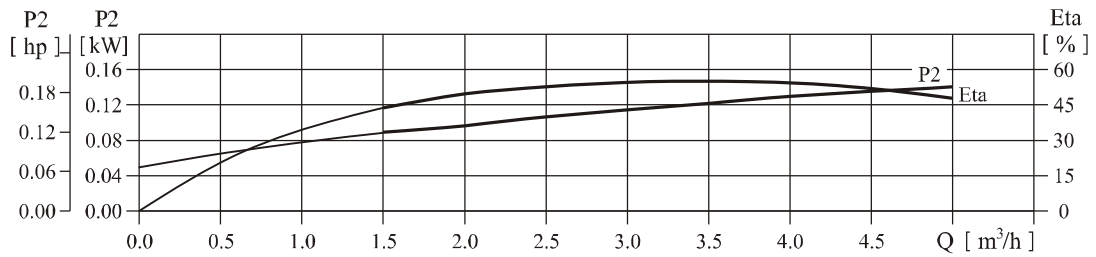
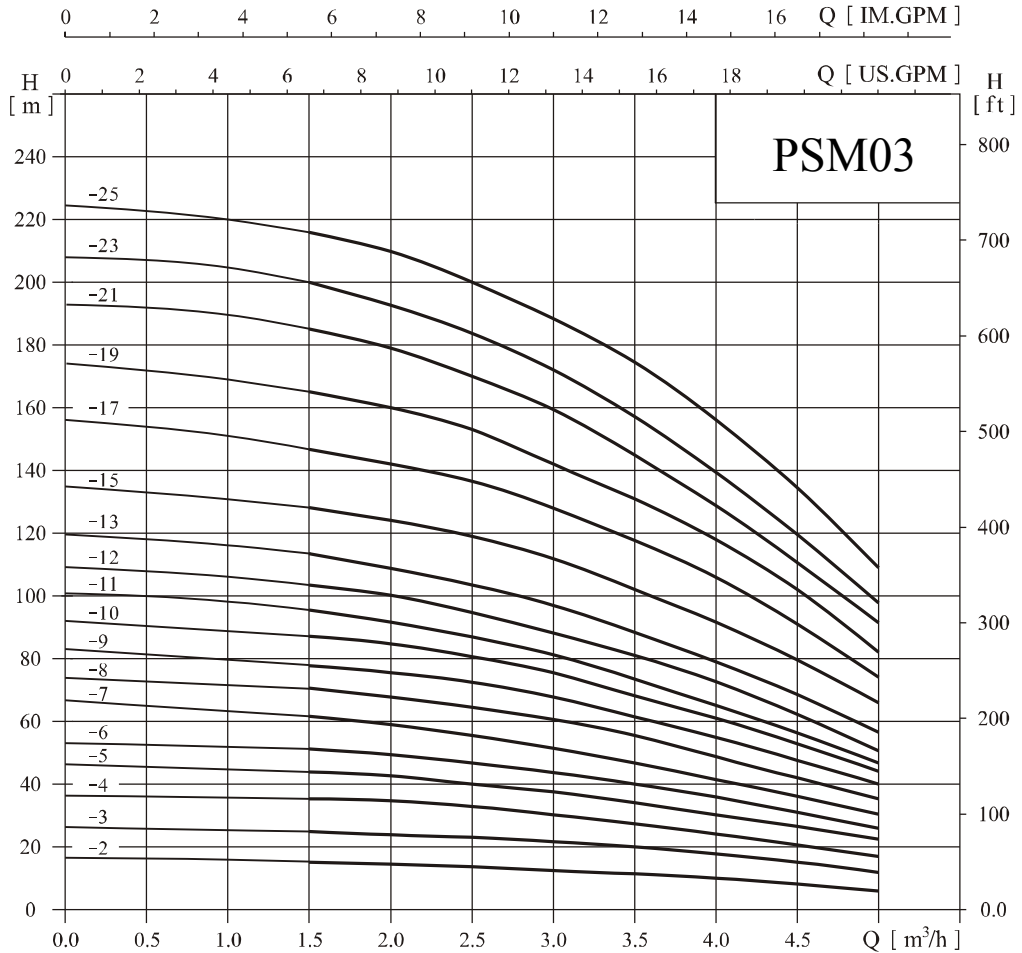
● Size and weight

Model		B1	B2	D1	D2	Weight	
						lbs	kes
PSM02-2	inches	10.062	8.19	5.772	4.563	44	20
	mm	258	210	148	117		
PSM02-3	inches	11.154	9.555	6.63	5.538	44	20
	mm	286	245	170	142		
PSM02-4	inches	11.856	9.555	6.63	5.538	55	25
	mm	304	245	170	142		
PSM02-5	inches	12.558	9.555	6.63	5.538	55	25
	mm	322	245	170	142		
PSM02-6	inches	13.26	9.555	6.63	5.538	55	25
	mm	340	245	170	142		
PSM02-7	inches	14.352	11.31	7.41	6.045	66	30
	mm	368	290	190	155		
PSM02-9	inches	15.756	11.31	7.41	6.045	77	35
	mm	404	290	190	155		
PSM02-11	inches	17.16	11.31	7.41	6.045	77	35
	mm	440	290	190	155		
PSM02-13	inches	18.954	12.285	7.683	6.435	88	40
	mm	486	315	197	165		
PSM02-15	inches	20.358	12.285	7.683	6.435	88	40
	mm	522	315	197	165		
PSM02-18	inches	22.464	13.065	8.97	7.332	99	45
	mm	576	335	230	188		

PSM03-60 HZ

● Performance curve

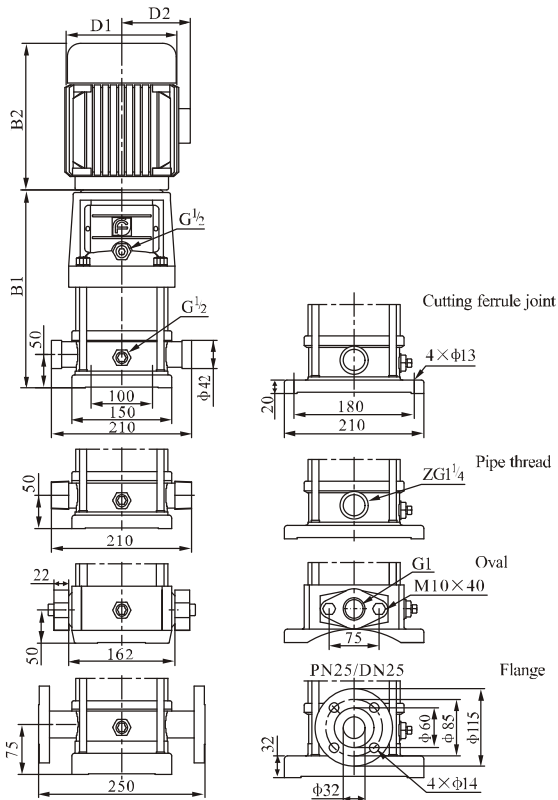
ISO9906 Annex A 3500rpm



Performance table

Model	Motor		USGPM	6,6	8,8	11	13,2	15,4	17,6	19,8
	HP	KW		O (m3h)	1,5	2	2,5	3	3,5	4
PSM03-2	0,5	0,37	feet head	57,4	52,48	49,2	45,92	42,64	36,08	29,52
			H (meter)	17,5	16	15	14	13	11	9
PSM03-3	0,75	0,55	feet head	86,92	82	78,72	75,44	65,6	59,04	49,2
			H (meter)	26,5	25	24	23	20	18	15
PSM03-4	0,75	0,55	feet head	114,8	111,52	104,96	98,4	88,56	82	65,6
			H (meter)	35	34	32	30	27	25	20
PSM03-5	1	0,75	feet head	144,32	137,76	131,2	124,64	108,24	101,68	85,28
			H (meter)	44	42	40	38	33	31	26
PSM03-6	1,5	1,1	feet head	167,28	164	157,44	147,6	131,2	121,36	104,96
			H (meter)	51	50	48	45	40	37	32
PSM03-7	1,5	1,1	feet head	200,08	193,52	183,68	170,56	150,88	141,04	124,64
			H (meter)	61	59	56	52	46	43	38
PSM03-8	1,5	1,1	feet head	229,6	219,76	209,92	200,08	173,84	160,72	144,32
			H (meter)	70	67	64	61	53	49	44
PSM03-9	2	1,5	feet head	255,84	252,56	236,16	223,04	196,8	183,68	164
			H (meter)	78	77	72	68	60	56	50
PSM03-10	2	1,5	feet head	285,36	275,52	265,68	249,28	223,04	206,64	180,4
			H (meter)	87	84	81	76	68	63	55
PSM03-11	2	1,5	feet head	314,88	301,76	285,36	268,96	242,72	226,32	193,52
			H (meter)	96	92	87	82	74	69	59
PSM03-12	3	2,2	feet head	341,12	328	314,88	295,2	259,12	239,44	206,64
			H (meter)	104	100	96	90	79	73	63
PSM03-13	3	2,2	feet head	367,36	357,52	341,12	321,44	282,08	262,4	226,32
			H (meter)	112	109	104	98	86	80	69
PSM03-15	3	2,2	feet head	423,12	413,28	393,6	367,36	324,72	305,04	265,68
			H (meter)	129	126	120	112	99	93	81
PSM03-17	3	2,2	feet head	482,16	469,04	449,36	419,84	373,92	347,68	298,48
			H (meter)	147	143	137	128	114	106	91
PSM03-19	5	3	feet head	541,2	524,8	501,84	465,76	413,28	387,04	334,56
			H (meter)	165	160	153	142	126	118	102
PSM03-21	5	3	feet head	600,24	583,84	557,6	524,8	462,48	423,12	367,36
			H (meter)	183	178	170	160	141	129	112
PSM03-23	5	3	feet head	656	636,32	606,8	570,72	505,12	465,76	400,16
			H (meter)	200	194	185	174	154	142	122
PSM03-25	5	4	feet head	711,76	692,08	662,56	613,36	547,76	505,12	439,52
			H (meter)	217	211	202	187	167	154	134

Installation sketch



Size and weight

Model		B1	B2	D1	D2	Weight	
						lbs	kg
PSM03-2	inches	10.062	8.19	5.772	4.563	44	20
	mm	258	210	148	117		
PSM03-3	inches	10.764	8.19	5.772	4.563	44	20
	mm	276	210	148	117		
PSM03-4	inches	11.466	8.19	5.772	4.563	44	20
	mm	294	210	148	117		
PSM03-5	inches	12.558	9.555	6.63	5.538	48,4	22
	mm	322	245	170	142		
PSM03-6	inches	13.26	9.555	6.63	5.538	55	25
	mm	340	245	170	142		
PSM03-7	inches	13.962	9.555	6.63	5.538	55	25
	mm	358	245	170	142		
PSM03-8	inches	14.664	9.555	6.63	5.538	55	25
	mm	376	245	170	142		
PSM03-9	inches	15.756	11.31	7.41	6.045	66	30
	mm	404	290	190	155		
PSM03-10	inches	16.458	11.31	7.41	6.045	66	30
	mm	422	290	190	155		
PSM03-11	inches	17.16	11.31	7.41	6.045	66	30
	mm	440	290	190	155		
PSM03-12	inches	17.862	11.31	7.41	6.045	77	35
	mm	458	290	190	155		
PSM03-13	inches	18.564	11.31	7.41	6.045	77	35
	mm	476	290	190	155		
PSM03-15	inches	19.968	11.31	7.41	6.045	77	35
	mm	512	290	190	155		
PSM03-17	inches	21.372	11.31	7.41	6.045	77	35
	mm	548	290	190	155		
PSM03-19	inches	23.166	12.285	7.683	6.435	88	40
	mm	594	315	197	165		
PSM03-21	inches	24.57	12.285	7.683	6.435	88	40
	mm	630	315	197	165		
PSM03-23	inches	25.974	12.285	7.683	6.435	88	40
	mm	666	315	197	165		
PSM03-25	inches	27.378	13.065	8.97	7.332	110	50
	mm	702	335	230	188		

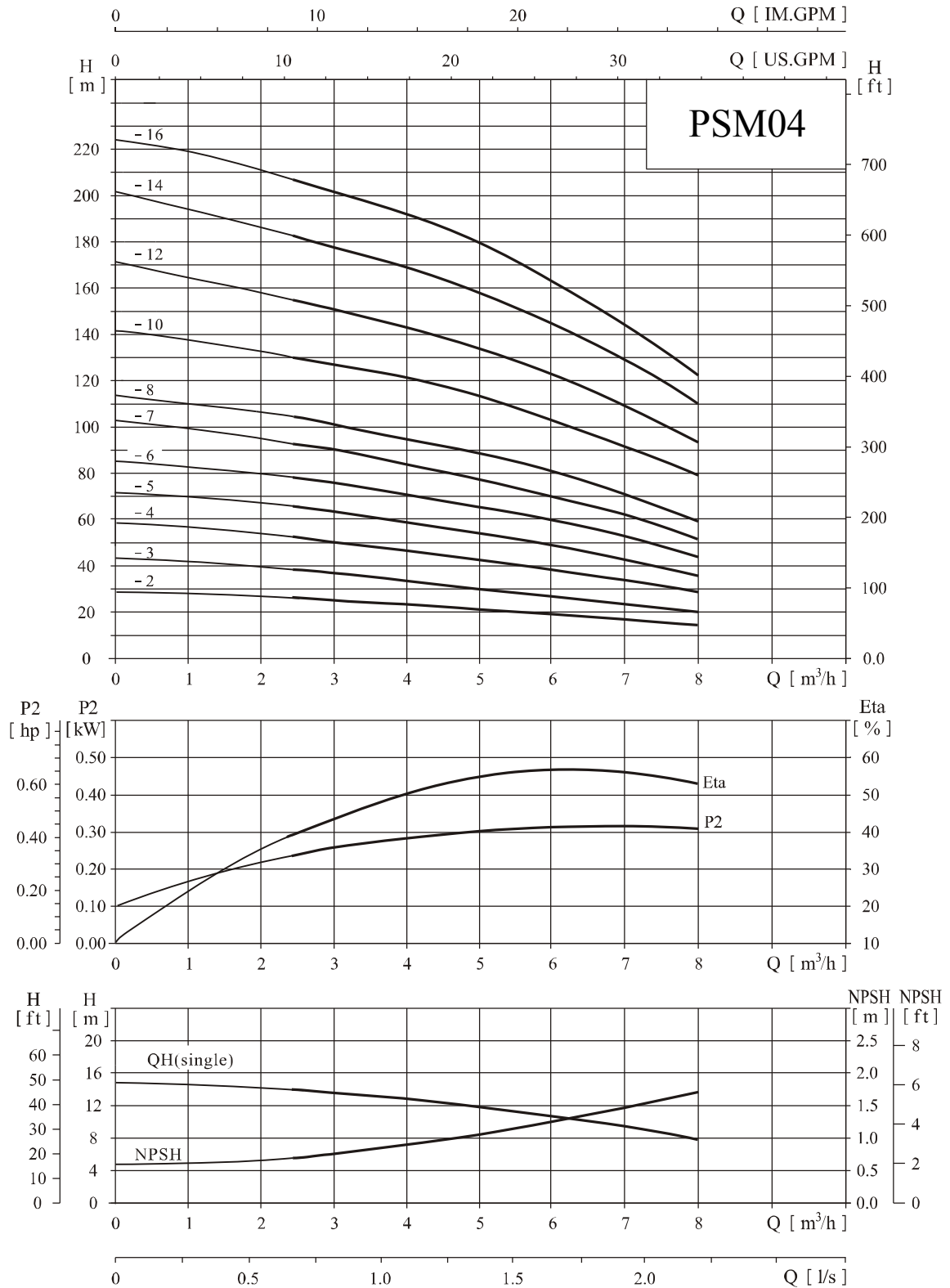
PSM03-17~03-25 sub-connection of pipeline has no oval flange connection.

The overall dimensions of the single-phase motor and explosion-proof motor are a little different. Pls contact us for details.

PSM04, 60Hz

● Performance curve

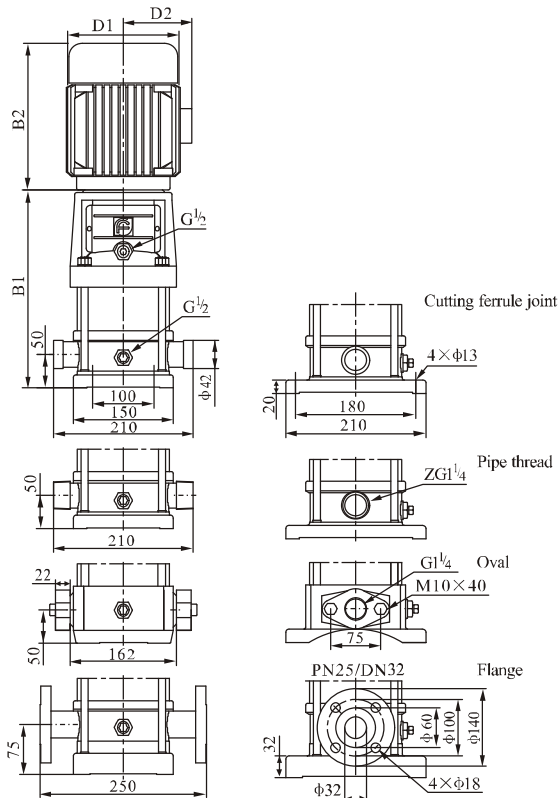
ISO9906 Annex A 3500rpm



● Performance table

Model	Motor		USGPM	11	13,2	17,6	22	26,4	30,8	35,2
	HP	KW	Q (m3h)	2,5	3	4	5	6	7	8
PSM04-2	1	0,75	feet head	85,28	82	75,44	68,88	62,32	52,48	45,92
			H (meter)	26	25	23	21	19	16	14
PSM04-3	1,5	1,1	feet head	127,92	124,64	118,08	104,96	91,84	78,72	68,88
			H (meter)	39	38	36	32	28	24	21
PSM04-4	2	1,5	feet head	170,56	164	157,44	144,32	124,64	114,8	101,68
			H (meter)	52	50	48	44	38	35	31
PSM04-5	3	2,2	feet head	213,2	203,36	196,8	180,4	160,72	144,32	127,92
			H (meter)	65	62	60	55	49	44	39
PSM04-6	3	2,2	feet head	255,84	246	236,16	219,76	193,52	177,12	154,16
			H (meter)	78	75	72	67	59	54	47
PSM04-7	5	3	feet head	301,76	288,64	275,52	255,84	226,32	203,36	180,4
			H (meter)	92	88	84	78	69	62	55
PSM04-8	5	3	feet head	341,12	328	311,6	295,2	259,12	236,16	206,64
			H (meter)	104	100	95	90	79	72	63
PSM04-10	5	4	feet head	426,4	410	393,6	370,64	334,56	295,2	262,4
			H (meter)	130	125	120	113	102	90	80
PSM04-12	5	4	feet head	511,68	492	475,6	446,08	400,16	357,52	314,88
			H (meter)	156	150	145	136	122	109	96
PSM04-14	7,5	5,5	feet head	596,96	577,28	557,6	521,52	475,6	423,12	367,36
			H (meter)	182	176	170	159	145	129	112
PSM04-16	7,5	5,5	feet head	678,96	659,28	642,88	600,24	541,2	478,88	419,84
			H (meter)	207	201	196	183	165	146	128

● Installation sketch



PSM04-12~04-16 sub-connection of pipeline has no oval flange connection.

The overall dimensions of the single-phase motor and explosion-proof motor are a little different. Pls contact us for details.

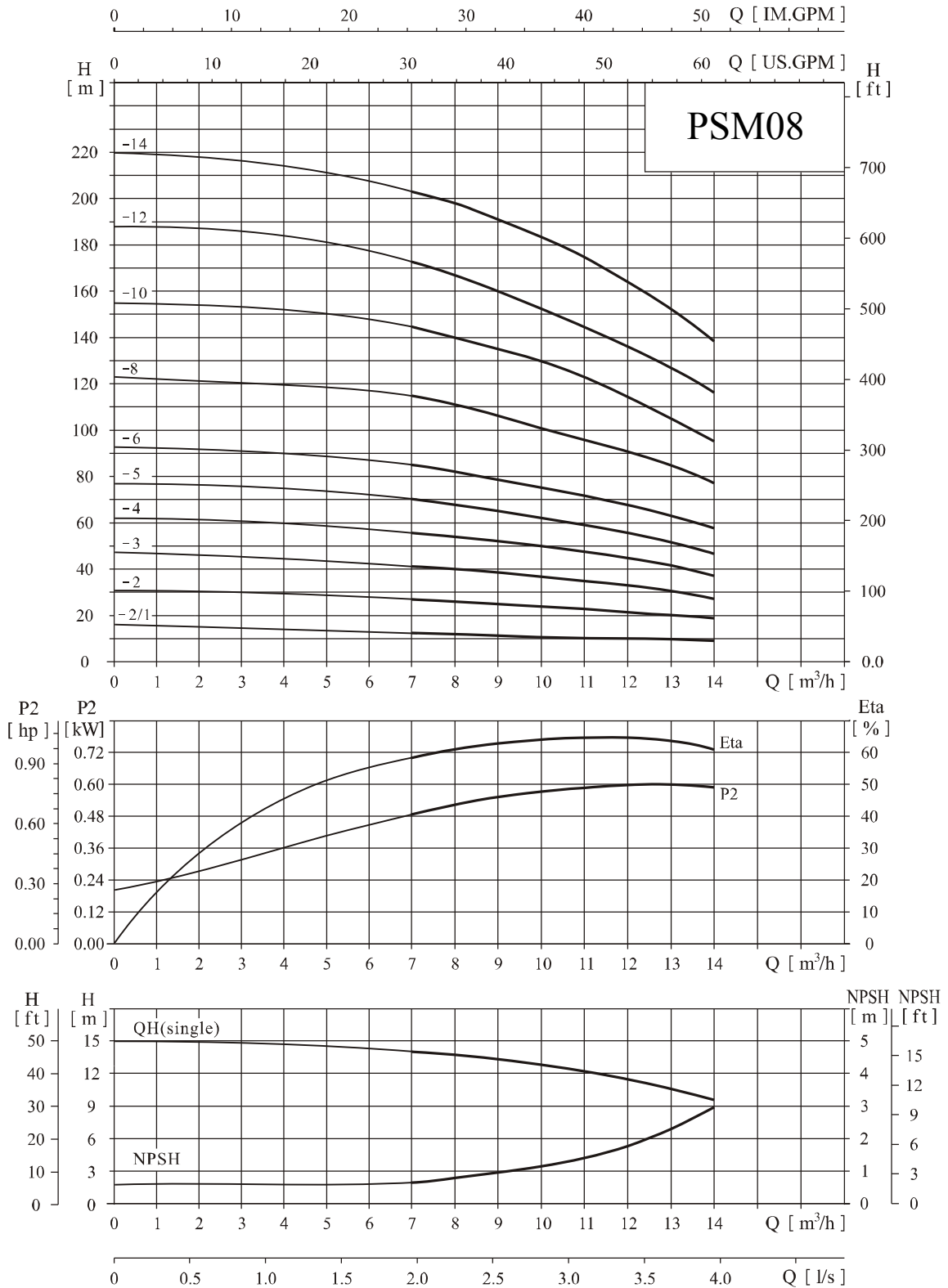
● Size and weight

Model		B1	B2	D1	D2	Weight	
						lbs	kgs
PSM04-2	inches	11,15	9,56	6,63	5,54	44	20
	mm	286	245	170	142		
PSM04-3	inches	12,21	9,56	6,63	5,54	44	20
	mm	313	245	170	142		
PSM04-4	inches	13,65	11,31	7,41	6,05	55	25
	mm	350	290	190	155		
PSM04-5	inches	14,66	11,31	7,41	6,05	66	30
	mm	376	290	190	155		
PSM04-6	inches	15,76	11,31	7,41	6,05	77	35
	mm	404	290	190	155		
PSM04-7	inches	17,20	12,29	7,68	6,44	88	40
	mm	441	315	197	165		
PSM04-8	inches	18,25	12,29	7,68	6,44	88	40
	mm	468	315	197	165		
PSM04-10	inches	20,36	13,07	8,97	7,33	99	45
	mm	522	335	230	188		
PSM04-12	inches	22,46	13,07	8,97	7,33	99	45
	mm	576	335	230	188		
PSM04-14	inches	25,35	16,77	10,14	8,11	154	70
	mm	650	430	260	208		
PSM04-16	inches	27,46	16,77	10,14	8,11	154	70
	mm	704	430	260	208		

PSM08, 60Hz

● Performance curve

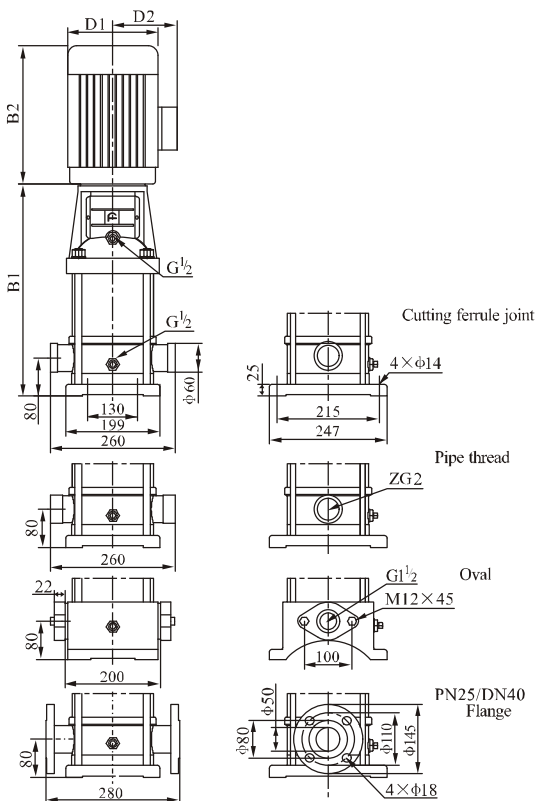
ISO9906 Annex A 3500rpm



● Performance table

Model	Motor		USGPM	30,8	35,2	39,6	44	48,4	52,8	57,2	61,6
	HP	KW	Q (m3h)	7	8	9	10	11	12	13	14
PSM08-2/1	1	0,75	feet head	42,64	39,36	37,72	36,08	34,44	32,8	31,16	29,52
			H (meter)	13	12	11,5	11	10,5	10	9,5	9
PSM08-2	2	1,5	feet head	88,56	85,28	82	78,72	75,44	72,16	65,6	59,04
			H (meter)	27	26	25	24	23	22	20	18
PSM08-3	3	2,2	feet head	134,48	131,2	124,64	121,36	114,8	108,24	98,4	91,84
			H (meter)	41	40	38	37	35	33	30	28
PSM08-4	5	3	feet head	180,4	177,12	170,56	164	154,16	147,6	134,48	124,64
			H (meter)	55	54	52	50	47	45	41	38
PSM08-5	5	3	feet head	229,6	223,04	213,2	206,64	193,52	183,68	170,56	154,16
			H (meter)	70	68	65	63	59	56	52	47
PSM08-6	5	4	feet head	278,8	268,96	255,84	249,28	236,16	223,04	203,36	186,96
			H (meter)	85	82	78	76	72	68	62	57
PSM08-8	7,5	5,5	feet head	377,2	360,8	344,4	331,28	318,16	298,48	275,52	246
			H (meter)	115	110	105	101	97	91	84	75
PSM08-10	10	7,5	feet head	475,6	459,2	432,96	413,28	400,16	377,2	344,4	311,6
			H (meter)	145	140	132	126	122	115	105	95
PSM08-12	10	7,5	feet head	567,44	547,76	524,8	498,56	482,16	432,96	410	377,2
			H (meter)	173	167	160	152	147	132	125	115
PSM08-14	15	11	feet head	662,56	639,6	616,64	587,12	570,72	534,64	482,16	442,8
			H (meter)	202	195	188	179	174	163	147	135

● Installation sketch



PSM08-10~08-14 sub-connection of pipeline has no oval flange connection.

The overall dimensions of the single-phase motor and explosion-proof motor are a little different. Pls contact us for details.

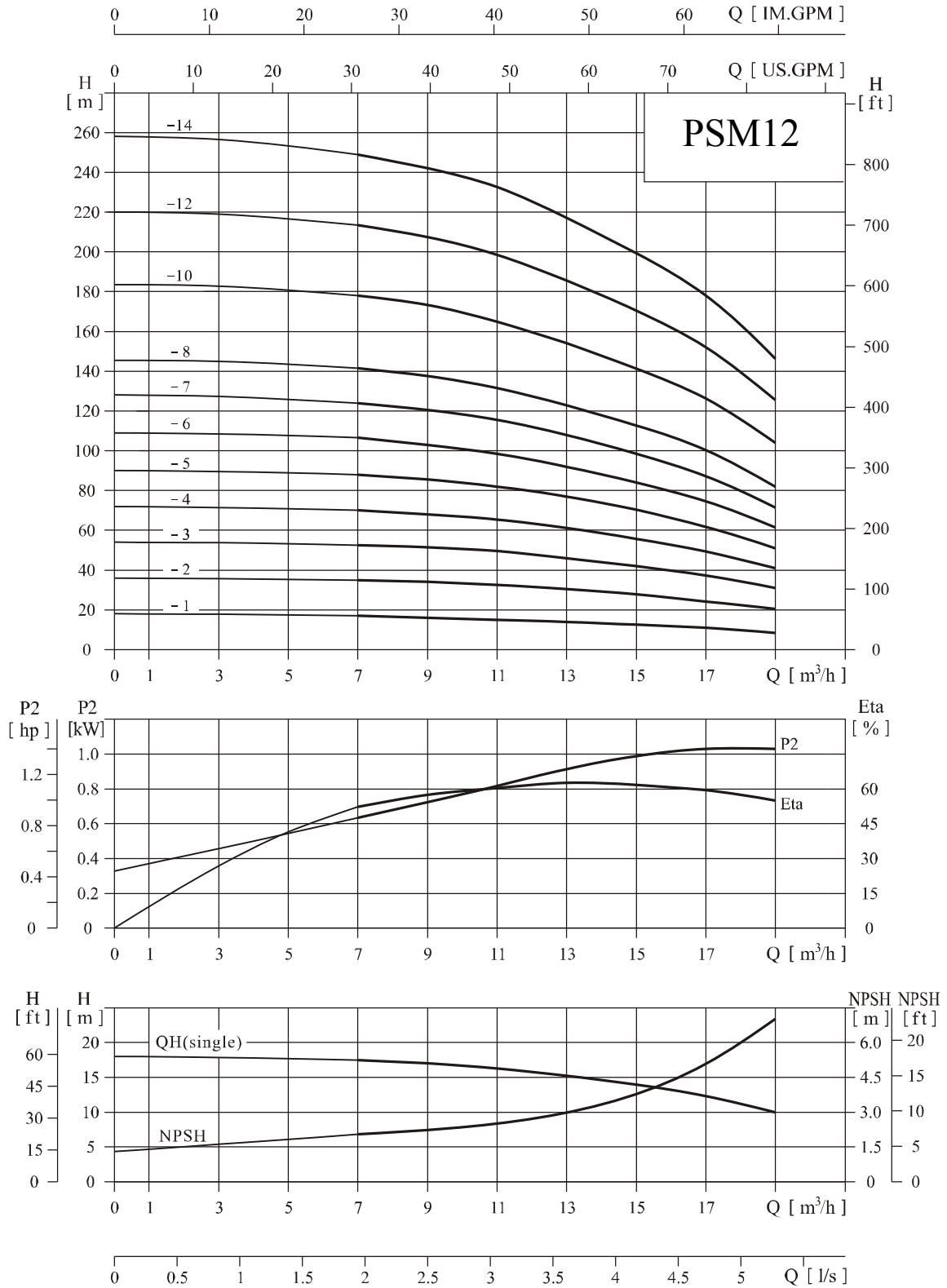
● Size and weight

Model						Weight	
		B1	B2	D1	D2	lbs	kgs
PSM08-2/1	inches	13.53	9.56	6.63	5.54	59,4	27
	mm	347	245	170	142		
PSM08-2	inches	13.92	11.31	7.41	6.05	70,4	32
	mm	357	290	190	155		
PSM08-3	inches	15.09	11.31	7.41	6.05	81,4	37
	mm	387	290	190	155		
PSM08-4	inches	16.65	12.29	7.68	6.44	92	42
	mm	427	315	197	165		
PSM08-5	inches	17.82	12.29	7.68	6.44	103,4	47
	mm	457	315	197	165		
PSM08-6	inches	18.99	13.07	8.97	7.33	114,4	52
	mm	487	335	230	188		
PSM08-8	inches	22.11	16.77	10.14	8.11	169,4	77
	mm	567	430	260	208		
PSM08-10	inches	24.45	16.77	10.14	8.11	191,4	87
	mm	627	430	260	208		
PSM08-12	inches	26.79	16.77	10.14	8.11	191,4	87
	mm	687	430	260	208		
PSM08-14	inches	32.57	19.11	12.87	9.95	290,4	132
	mm	835	490	330	255		

PSM12, 60Hz

● Performance curve

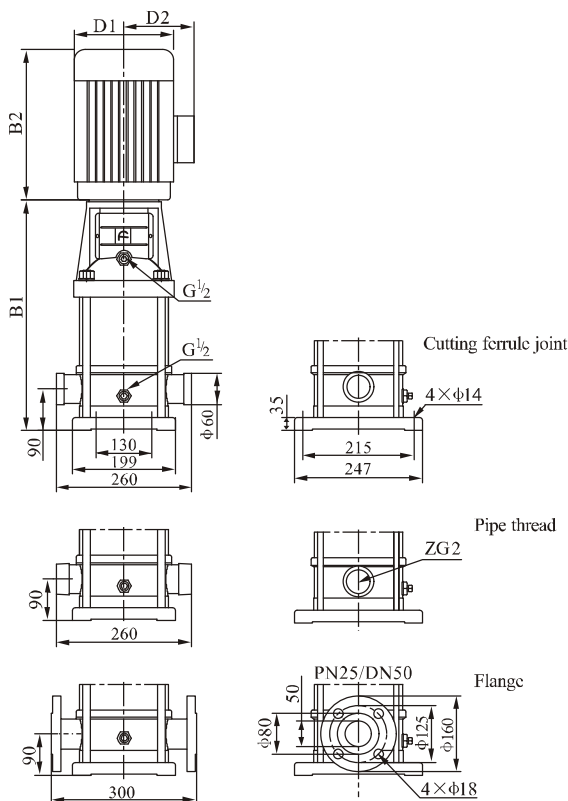
ISO9906 Annex A 3500rpm



● Performance table

Model	Motor		USGPM	30,8	39,6	48,4	52,8	57,2	66	74,8	83,6
	HP	KW	Q (m3h)	7	9	11	12	13	15	17	19
PSM12-1	1,5	1,1	feet head	55,76	52,48	49,2	47,56	45,92	41	36,08	27,88
			H (meter)	17	16	15	14,5	14	12,5	11	8,5
PSM12-2	3	2,2	feet head	114,8	111,52	106,6	104,96	100,04	88,56	80,36	67,24
			H (meter)	35	34	32,5	32	30,5	27	24,5	20,5
PSM12-3	5	4	feet head	172,2	168,92	164	157,44	150,88	136,12	123	101,68
			H (meter)	52,5	51,5	50	48	46	41,5	37,5	31
PSM12-4	7,5	5,5	feet head	229,6	223,04	214,84	209,92	201,72	180,4	162,36	134,48
			H (meter)	70	68	65,5	64	61,5	55	49,5	41
PSM12-5	7,5	5,5	feet head	288,64	282,08	268,96	262,4	252,56	229,6	203,36	167,28
			H (meter)	88	86	82	80	77	70	62	51
PSM12-6	10	7,5	feet head	350,96	337,84	324,72	314,88	301,76	275,52	246	200,08
			H (meter)	107	103	99	96	92	84	75	61
PSM12-7	10	7,5	feet head	406,72	396,88	380,48	367,36	350,96	318,16	288,64	232,88
			H (meter)	124	121	116	112	107	97	88	71
PSM12-8	15	11	feet head	462,48	449,36	432,96	419,84	400,16	364,08	331,28	268,96
			H (meter)	141	137	132	128	122	111	101	82
PSM12-10	15	11	feet head	583,84	567,44	544,48	528,08	501,84	459,2	419,84	341,12
			H (meter)	178	173	166	161	153	140	128	104
PSM12-12	20	15	feet head	698,64	682,24	652,72	633,04	606,8	554,32	505,12	410
			H (meter)	213	208	199	193	185	169	154	125
PSM12-14	20	15	feet head	816,72	793,76	764,24	738	708,48	649,44	590,4	475,6
			H (meter)	249	242	233	225	216	198	180	145

● Installation sketch



● Size and weight

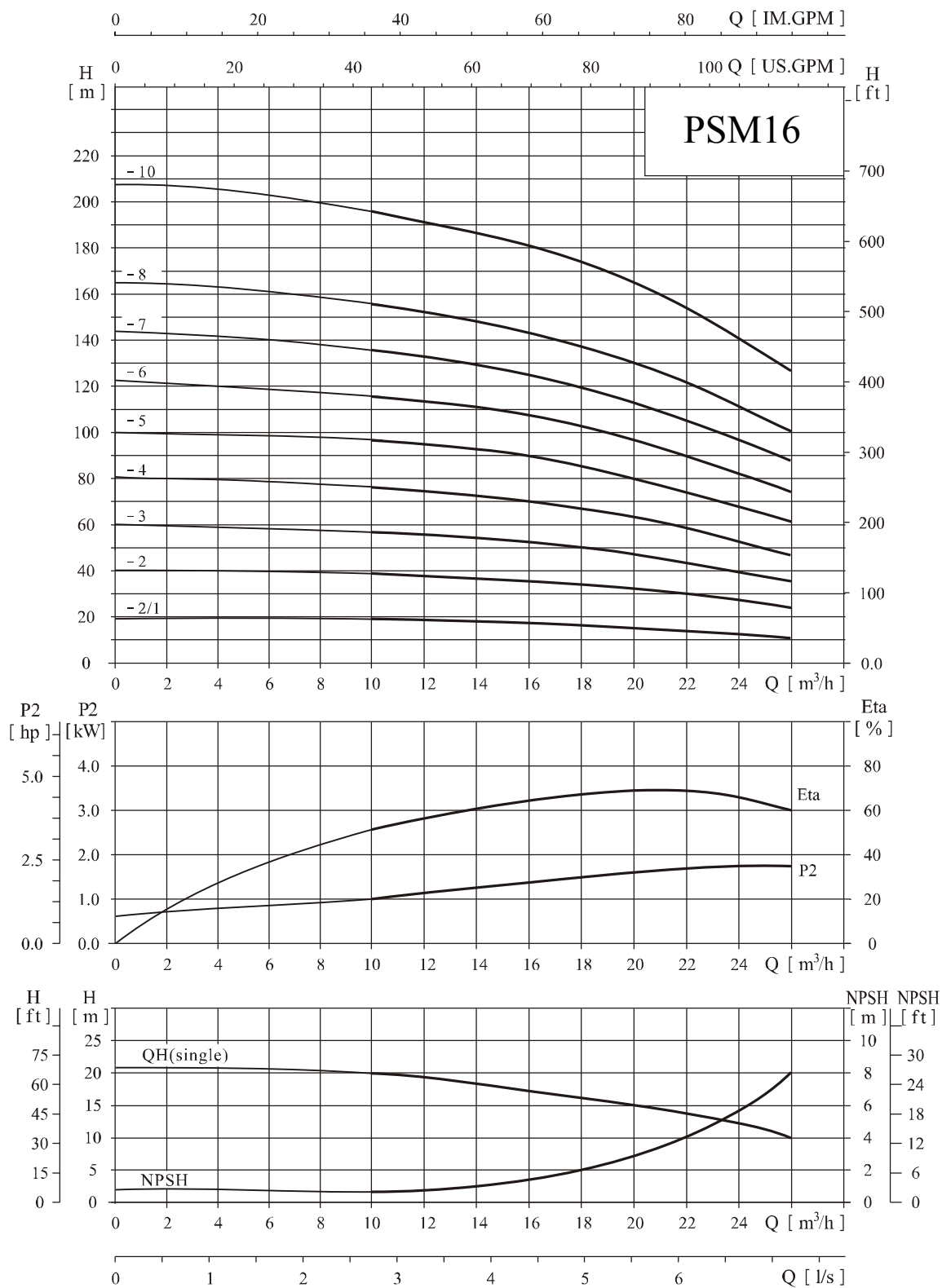
Model						Weight	
		B1	B2	D1	D2	lbs	kgs
PSM12-1	inches	13,923	9,555	6,63	5,538	66	30
	mm	357	245	170	142		
PSM12-2	inches	14,313	11,31	7,41	6,045	83,6	38
	mm	367	290	190	155		
PSM12-3	inches	15,873	13,065	8,97	7,332	121	55
	mm	407	335	230	188		
PSM12-4	inches	17,823	16,77	10,14	8,112	158,4	72
	mm	457	430	260	208		
PSM12-5	inches	18,993	16,77	10,14	8,112	158,4	72
	mm	487	430	260	208		
PSM12-6	inches	20,163	16,77	10,14	8,112	165	75
	mm	517	430	260	208		
PSM12-7	inches	21,333	16,77	10,14	8,112	165	75
	mm	547	430	260	208		
PSM12-8	inches	25,935	19,11	12,87	9,945	319	145
	mm	665	490	330	255		
PSM12-10	inches	28,275	19,11	12,87	9,945	323,4	147
	mm	725	490	330	255		
PSM12-12	inches	30,615	19,11	12,87	9,945	352	160
	mm	785	490	330	255		
PSM12-14	inches	32,955	19,11	12,87	9,945	356,4	162
	mm	845	490	330	255		

The overall dimensions of the single-phase motor and explosion-proof motor are a little different. Pls contact us for details.

PSM16, 60Hz

● Performance curve

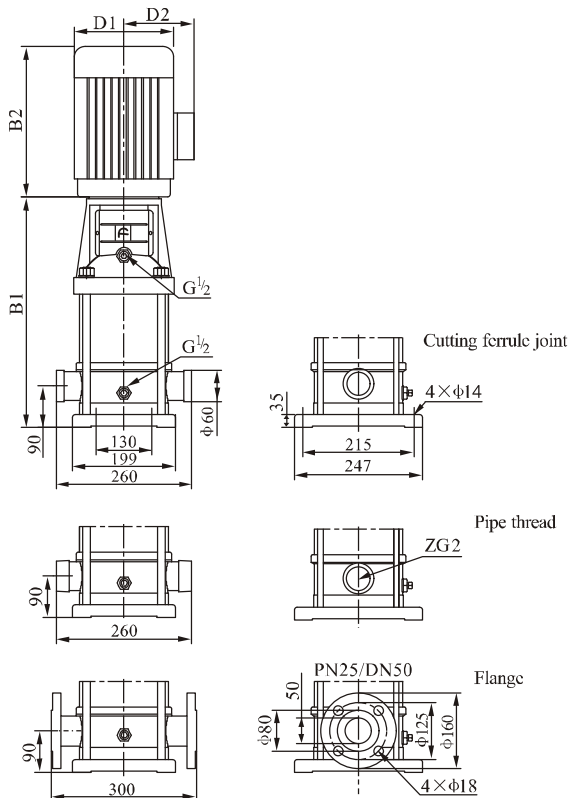
ISO9906 Annex A 3500rpm



● Performance table

Model	Motor		USGPM Q (m3h)	44	52,8	61,6	70,4	79,2	88	96,8	105,6	114,4
	HP	KW		10	12	14	16	18	20	22	24	26
PSM16-2/1	3	2,2	feet head	62,32	60,68	59,04	55,76	52,48	49,2	45,92	42,64	36,08
			H (meter)	19	18,5	18	17	16	15	14	13	11
PSM16-2	5	4	feet head	124,64	121,36	118,08	114,8	111,52	104,96	98,4	88,56	78,72
			H (meter)	38	37	36	35	34	32	30	27	24
PSM16-3	7,5	5,5	feet head	186,96	183,68	180,4	177,12	167,28	157,44	147,6	131,2	118,08
			H (meter)	57	56	55	54	51	48	45	40	36
PSM16-4	10	7,5	feet head	249,28	246	239,44	236,16	223,04	209,92	196,8	177,12	160,72
			H (meter)	76	75	73	72	68	64	60	54	49
PSM16-5	15	11	feet head	314,88	308,32	301,76	295,2	278,8	262,4	246	223,04	203,36
			H (meter)	96	94	92	90	85	80	75	68	62
PSM16-6	15	11	feet head	377,2	370,64	364,08	354,24	334,56	314,88	298,48	268,96	246
			H (meter)	115	113	111	108	102	96	91	82	75
PSM16-7	20	15	feet head	442,8	432,96	423,12	413,28	390,32	370,64	347,68	314,88	288,64
			H (meter)	135	132	129	126	119	113	106	96	88
PSM16-8	20	15	feet head	508,4	498,56	485,44	472,32	449,36	426,4	400,16	364,08	331,28
			H (meter)	155	152	148	144	137	130	122	111	101
PSM16-10	25	18,5	feet head	646,16	629,76	613,36	593,68	570,72	541,2	501,84	455,92	416,56
			H (meter)	197	192	187	181	174	165	153	139	127

● Installation sketch



● Size and weight

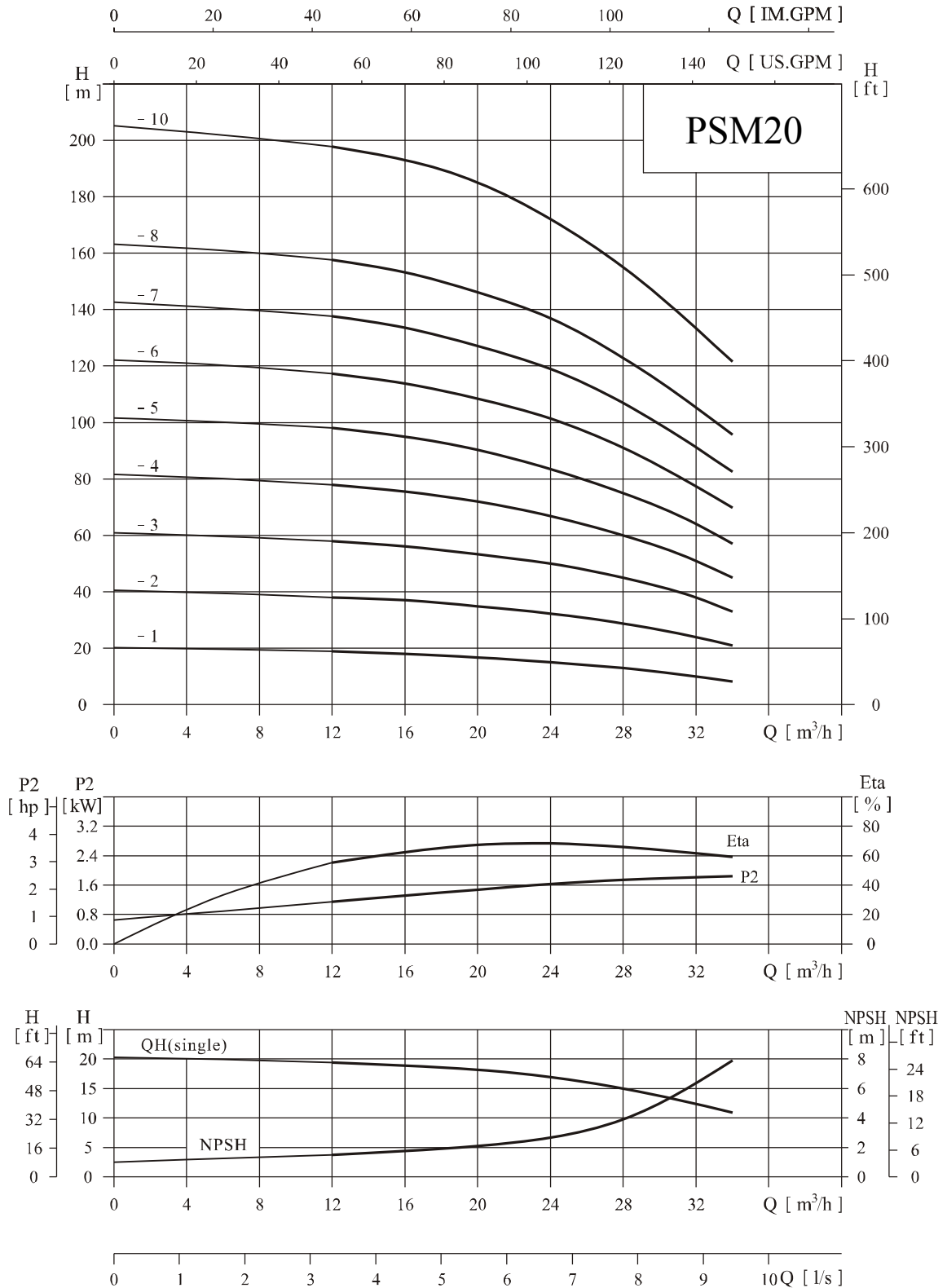
Model						Weight	
		B1	B2	D1	D2	lbs	kg
PSM16-2/1	inches	15,483	11,31	7,41	6,045	92,4	42
	mm	397	290	190	155		
PSM16-2	inches	15,873	13,065	8,97	7,332	114,4	52
	mm	407	335	230	188		
PSM16-3	inches	18,408	16,77	10,14	8,112	158,4	72
	mm	472	430	260	208		
PSM16-4	inches	20,163	16,77	10,14	8,112	180,4	82
	mm	517	430	260	208		
PSM16-5	inches	25,35	19,11	12,87	9,945	312,4	142
	mm	650	490	330	2550		
PSM16-6	inches	27,105	19,11	12,87	9,945	323,4	147
	mm	695	490	330	255		
PSM16-7	inches	28,86	19,11	12,87	9,945	356,4	162
	mm	740	490	330	255		
PSM16-8	inches	30,615	19,11	12,87	9,945	356,4	162
	mm	785	490	330	255		
PSM16-10	inches	34,125	21,45	12,87	9,945	422,4	192
	mm	875	550	330	255		

The overall dimensions of the single-phase motor and explosion-proof motor are a little different. Pls contact us for details.

PSM20, 60Hz

● Performance curve

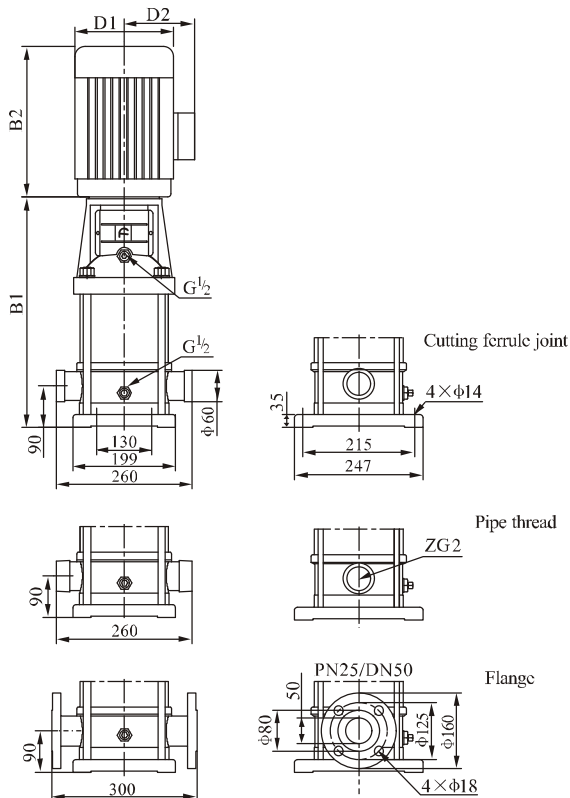
ISO9906 Annex A 3500rpm



● Performance table

Model	Motor		USGPM Q (m3h)	52,8	70,4	88	105,6	123,2	140,8	149,6
	HP	KW		12	16	20	24	28	32	34
PSM20-1	3	2,2	feet head	62,32	59,04	55,76	49,2	42,64	32,8	27,88
			H (meter)	19	18	17	15	13	10	8,5
PSM20-2	5	4	feet head	124,64	121,36	114,8	104,96	95,12	78,72	68,88
			H (meter)	38	37	35	32	29	24	21
PSM20-3	7,5	5,5	feet head	190,24	183,68	173,84	164	147,6	124,64	108,24
			H (meter)	58	56	53	50	45	38	33
PSM20-4	10	7,5	feet head	255,84	246	236,16	219,76	196,8	167,28	147,6
			H (meter)	78	75	72	67	60	51	45
PSM20-5	15	11	feet head	321,44	308,32	295,2	278,8	246	209,92	186,96
			H (meter)	98	94	90	85	75	64	57
PSM20-6	15	11	feet head	387,04	370,64	354,24	334,56	298,48	252,56	229,6
			H (meter)	118	113	108	102	91	77	70
PSM20-7	20	15	feet head	452,64	436,24	416,56	390,32	350,96	298,48	272,24
			H (meter)	138	133	127	119	107	91	83
PSM20-8	20	15	feet head	518,24	501,84	478,88	449,36	403,44	344,4	314,88
			H (meter)	158	153	146	137	123	105	96
PSM20-10	25	18,5	feet head	649,44	633,04	606,8	564,16	508,4	436,24	400,16
			H (meter)	198	193	185	172	155	133	122

● Installation sketch



● Size and weight

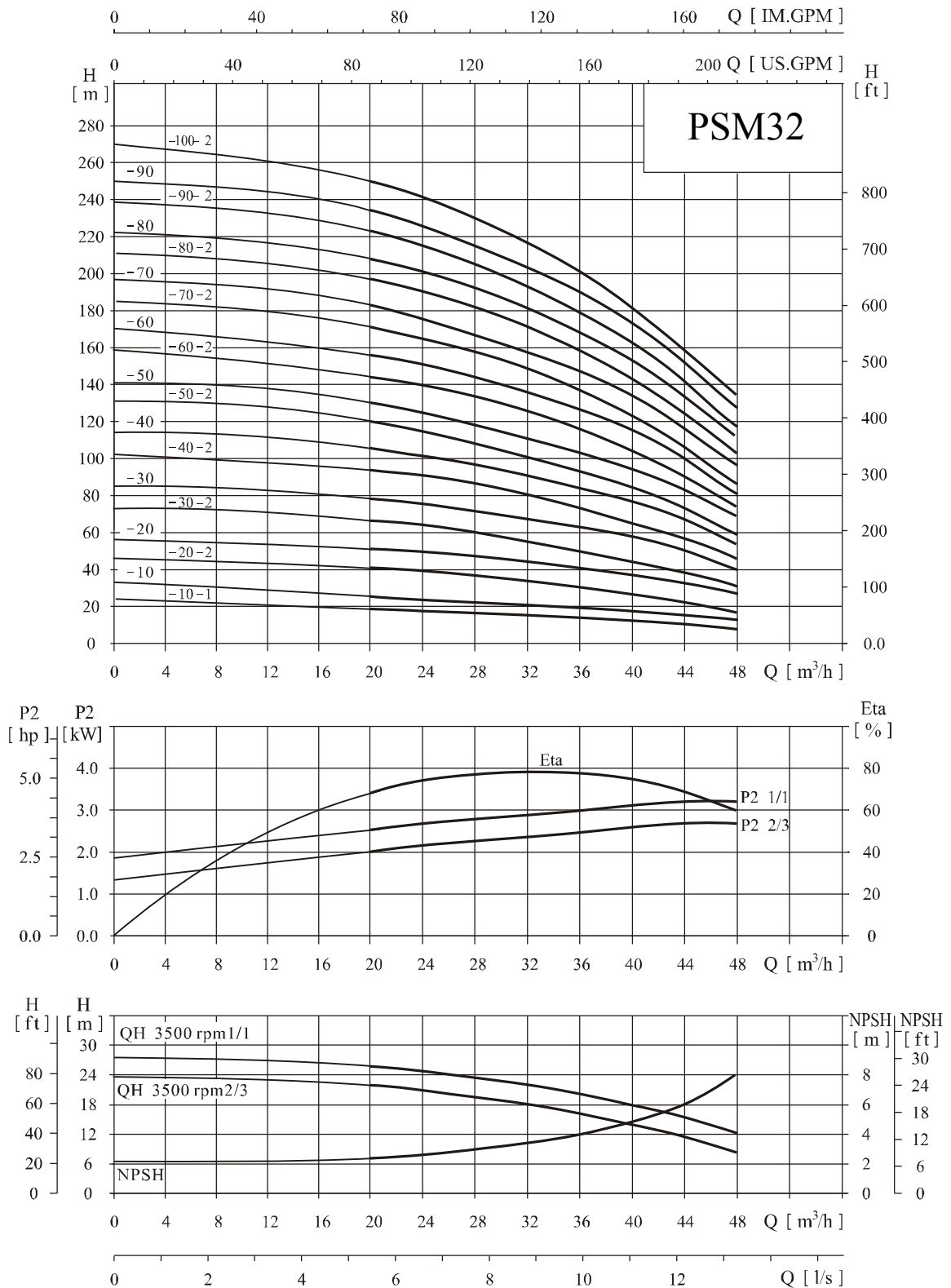
Model		B1	B2	D1	D2	Weight	
						lbs	kg
PSM20-1	inches	15,483	11,31	7,41	6,045	92,4	42
	mm	397	290	190	155		
PSM20-2	inches	15,873	13,065	8,97	7,332	114,4	52
	mm	407	335	230	188		
PSM20-3	inches	18,408	16,77	10,14	8,112	158,4	72
	mm	472	430	260	208		
PSM20-4	inches	20,163	16,77	10,14	8,112	180,4	82
	mm	517	430	260	208		
PSM20-5	inches	25,35	19,11	12,87	9,945	312,4	142
	mm	650	490	330	255		
PSM20-6	inches	27,105	19,11	12,87	9,945	323,4	147
	mm	695	490	330	255		
PSM20-7	inches	28,86	19,11	12,87	9,945	356,4	162
	mm	740	490	330	255		
PSM20-8	inches	30,615	19,11	12,87	9,945	356,4	162
	mm	785	490	330	255		
PSM20-10	inches	34,125	21,45	12,87	9,945	422,4	192
	mm	875	550	330	255		

The overall dimensions of the single-phase motor and explosion-proof motor are a little different. Pls contact us for details.

PSM32, 60Hz

● Performance curve

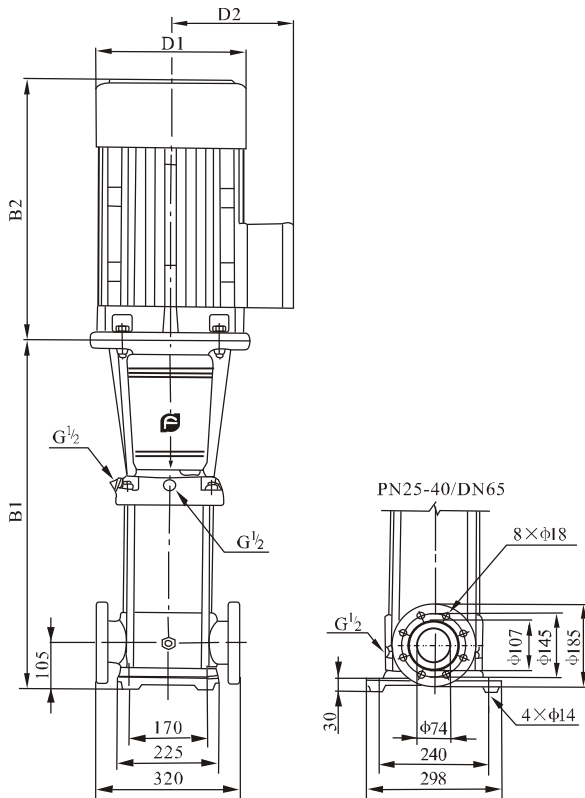
ISO9906 Annex A 3500rpm



Performance table

Model	Motor		USGPM	88	105.6	123.2	140.8	158.4	176	193.6	211.2
	HP	KW		O (m3h)	20	24	28	32	36	40	44
PSM32-10-1	5	3	feet head	65.6	62.32	59.04	55.76	49.2	42.64	32.8	22.96
			H (meter)	20	19	18	17	15	13	10	7
PSM32-10	5	4	feet head	85.28	82	78.72	75.44	68.88	62.32	55.76	45.92
			H (meter)	26	25	24	23	21	19	17	14
PSM32-20-2	7.5	5.5	feet head	134.48	131.2	124.64	114.8	101.68	88.56	72.16	55.76
			H (meter)	41	40	38	35	31	27	22	17
PSM32-20	10	7.5	feet head	170.56	164	157.44	147.6	134.48	121.36	108.24	88.56
			H (meter)	52	50	48	45	41	37	33	27
PSM32-30-2	10	7.5	feet head	219.76	209.92	200.08	186.96	170.56	150.88	127.92	101.68
			H (meter)	67	64	61	57	52	46	39	31
PSM32-30	15	11	feet head	255.84	246	232.88	219.76	203.36	183.68	164	131.2
			H (meter)	78	75	71	67	62	56	50	40
PSM32-40-2	15	11	feet head	308.32	298.48	285.36	265.68	239.44	213.2	183.68	147.6
			H (meter)	94	91	87	81	73	65	56	45
PSM32-40	20	15	feet head	341.12	331.28	314.88	298.48	272.24	246	216.48	180.4
			H (meter)	104	101	96	91	83	75	66	55
PSM32-50-2	20	15	feet head	390.32	377.2	357.52	334.56	308.32	275.52	239.44	193.52
			H (meter)	119	115	109	102	94	84	73	59
PSM32-50	25	18.5	feet head	426.4	410	390.32	367.36	341.12	308.32	272.24	226.32
			H (meter)	130	125	119	112	104	94	83	69
PSM32-60-2	25	18.5	feet head	475.6	459.2	439.52	413.28	380.48	341.12	295.2	242.72
			H (meter)	145	140	134	126	116	104	90	74
PSM32-60	25	18.5	feet head	508.4	492	472.32	446.08	413.28	373.92	328	265.68
			H (meter)	155	150	144	136	126	114	100	81
PSM32-70-2	30	22	feet head	564.16	544.48	518.24	488.72	449.36	403.44	347.68	282.08
			H (meter)	172	166	158	149	137	123	106	86
PSM32-70	30	22	feet head	596.96	577.28	551.04	521.52	485.44	436.24	387.04	318.16
			H (meter)	182	176	168	159	148	133	118	97
PSM32-80-2	30	22	feet head	642.88	623.2	596.96	564.16	521.52	469.04	406.72	334.56
			H (meter)	196	190	182	172	159	143	124	102
PSM32-80	40	30	feet head	682.24	659.28	629.76	593.68	547.76	498.56	432.96	364.08
			H (meter)	208	201	192	181	167	152	132	111
PSM32-90-2	40	30	feet head	731.44	708.48	675.68	636.32	587.12	531.36	465.76	383.76
			H (meter)	223	216	206	194	179	162	142	117
PSM32-90	40	30	feet head	767.52	741.28	708.48	669.12	619.92	564.16	498.56	416.56
			H (meter)	234	226	216	204	189	172	152	127
PSM32-100-2	40	30	feet head	813.44	790.48	757.68	711.76	659.28	593.68	521.52	436.24
			H (meter)	248	241	231	217	201	181	159	133

Installation sketch



Size and weight

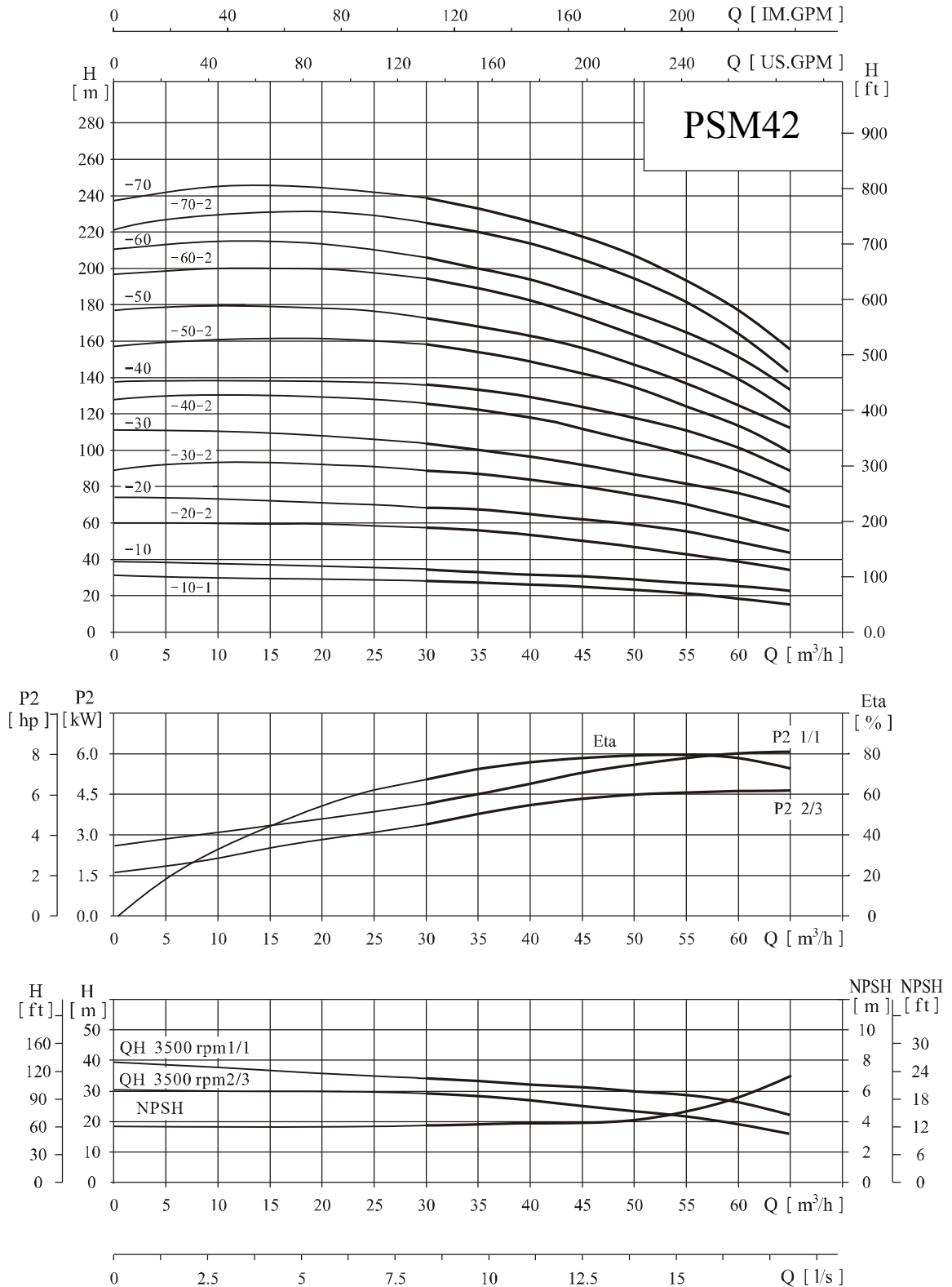
Model		B1	B2	D1	D2	Weight	
						lbs	kgs
PSM32-10-1	inches	19.695	12.285	7.683	6.435	187	85
	mm	505	315	197	165		
PSM32-10	inches	19.695	13.065	8.97	7.332	209	95
	mm	505	335	230	188		
PSM32-20-2	inches	22.425	16.77	10.14	8.112	231	105
	mm	575	430	260	208		
PSM32-20	inches	22.425	16.77	10.14	8.112	253	115
	mm	575	430	260	208		
PSM32-30-2	inches	25.155	19.11	12.87	9.945	264	120
	mm	645	490	330	255		
PSM32-30	inches	29.25	19.11	12.87	9.945	385	175
	mm	750	490	330	255		
PSM32-40-2	inches	31.98	19.11	12.87	9.945	396	180
	mm	820	490	330	255		
PSM32-40	inches	31.98	19.11	12.87	9.945	462	210
	mm	820	490	330	255		
PSM32-50-2	inches	34.71	19.11	12.87	9.945	484	220
	mm	890	490	330	255		
PSM32-50	inches	34.71	21.45	12.87	9.945	528	240
	mm	890	550	330	255		
PSM32-60-2	inches	37.44	21.45	12.87	9.945	550	250
	mm	960	550	330	255		
PSM32-60	inches	37.44	21.45	12.87	9.945	550	250
	mm	960	550	330	255		
PSM32-70-2	inches	40.17	23.01	14.04	11.115	627	285
	mm	1030	590	360	285		
PSM32-70	inches	40.17	23.01	14.04	11.115	627	285
	mm	1030	590	360	285		
PSM32-80-2	inches	42.9	23.01	15.6	12.09	638	290
	mm	1100	590	400	310		
PSM32-80	inches	42.9	25.74	15.6	12.09	726	330
	mm	1100	660	400	310		
PSM32-90-2	inches	45.63	25.74	15.6	12.09	748	340
	mm	1170	660	400	310		
PSM32-90	inches	45.63	25.74	15.6	12.09	748	340
	mm	1170	660	400	310		
PSM32-100-2	inches	48.36	25.74	15.6	12.09	770	350
	mm	1240	660	400	310		

The overall dimensions of the single-phase motor and explosion-proof motor are a little different. Pls contact us for details.

PSM42, 60Hz

● Performance curve

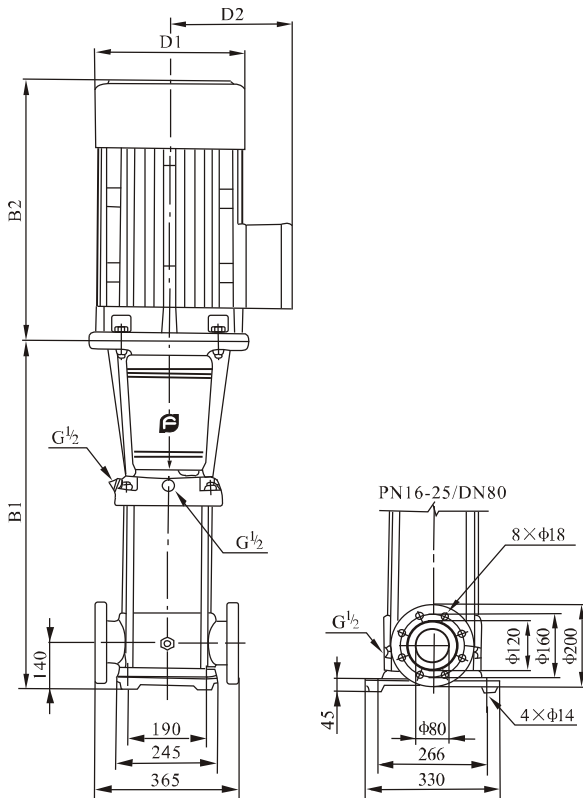
ISO9906 Annex A 3500rpm



● Performance table

Model	Motor		USGPM O (m3h)	132	154	176	184.8	198	220	242	264	286
	HP	KW		30	35	40	42	45	50	55	60	65
PSM42-10-1	7,5	5,5	feet head	95,12	91,84	88,56	85,28	82	75,44	68,88	62,32	52,48
			H (meter)	29	28	27	26	25	23	21	19	16
PSM42-10	10	7,5	feet head	111,52	108,24	104,96	103,32	98,4	95,12	88,56	82	72,16
			H (meter)	34	33	32	31,5	30	29	27	25	22
PSM42-20-2	15	11	feet head	186,96	180,4	173,84	170,56	160,72	150,88	141,04	124,64	108,24
			H (meter)	57	55	53	52	49	46	43	38	33
PSM42-20	20	15	feet head	226,32	219,76	213,2	206,64	200,08	193,52	180,4	164	144,32
			H (meter)	69	67	65	63	61	59	55	50	44
PSM42-30-2	25	18,5	feet head	295,2	288,64	278,8	272,24	262,4	246	236,16	206,64	180,4
			H (meter)	90	88	85	83	80	75	72	63	55
PSM42-30	25	18,5	feet head	334,56	328	318,16	311,6	301,76	288,64	268,96	249,28	223,04
			H (meter)	102	100	97	95	92	88	82	76	68
PSM42-40-2	30	22	feet head	410	396,88	387,04	377,2	367,36	344,4	321,44	291,92	255,84
			H (meter)	125	121	118	115	112	105	98	89	78
PSM42-40	40	30	feet head	446,08	436,24	423,12	413,28	403,44	383,76	367,36	334,56	291,92
			H (meter)	136	133	129	126	123	117	112	102	89
PSM42-50-2	40	30	feet head	521,52	505,12	488,72	478,88	465,76	439,52	396,88	377,2	324,72
			H (meter)	159	154	149	146	142	134	121	115	99
PSM42-50	40	30	feet head	560,88	544,48	528,08	518,24	505,12	475,6	452,64	413,28	367,36
			H (meter)	171	166	161	158	154	145	138	126	112
PSM42-60-2	50	37	feet head	636,32	616,64	596,96	583,84	567,44	534,64	508,4	455,92	400,16
			H (meter)	194	188	182	178	173	163	155	139	122
PSM42-60	50	37	feet head	672,4	656	633,04	623,2	610,08	577,28	544,48	498,56	439,52
			H (meter)	205	200	193	190	186	176	166	152	134
PSM42-70-2	60	45	feet head	744,56	721,6	698,64	688,8	672,4	633,04	596,96	541,2	472,32
			H (meter)	227	220	213	210	205	193	182	165	144
PSM42-70	60	45	feet head	783,92	760,96	741,28	724,88	708,48	669,12	636,32	583,84	514,96
			H (meter)	239	232	226	221	216	204	194	178	157

● Installation sketch



● Size and weight

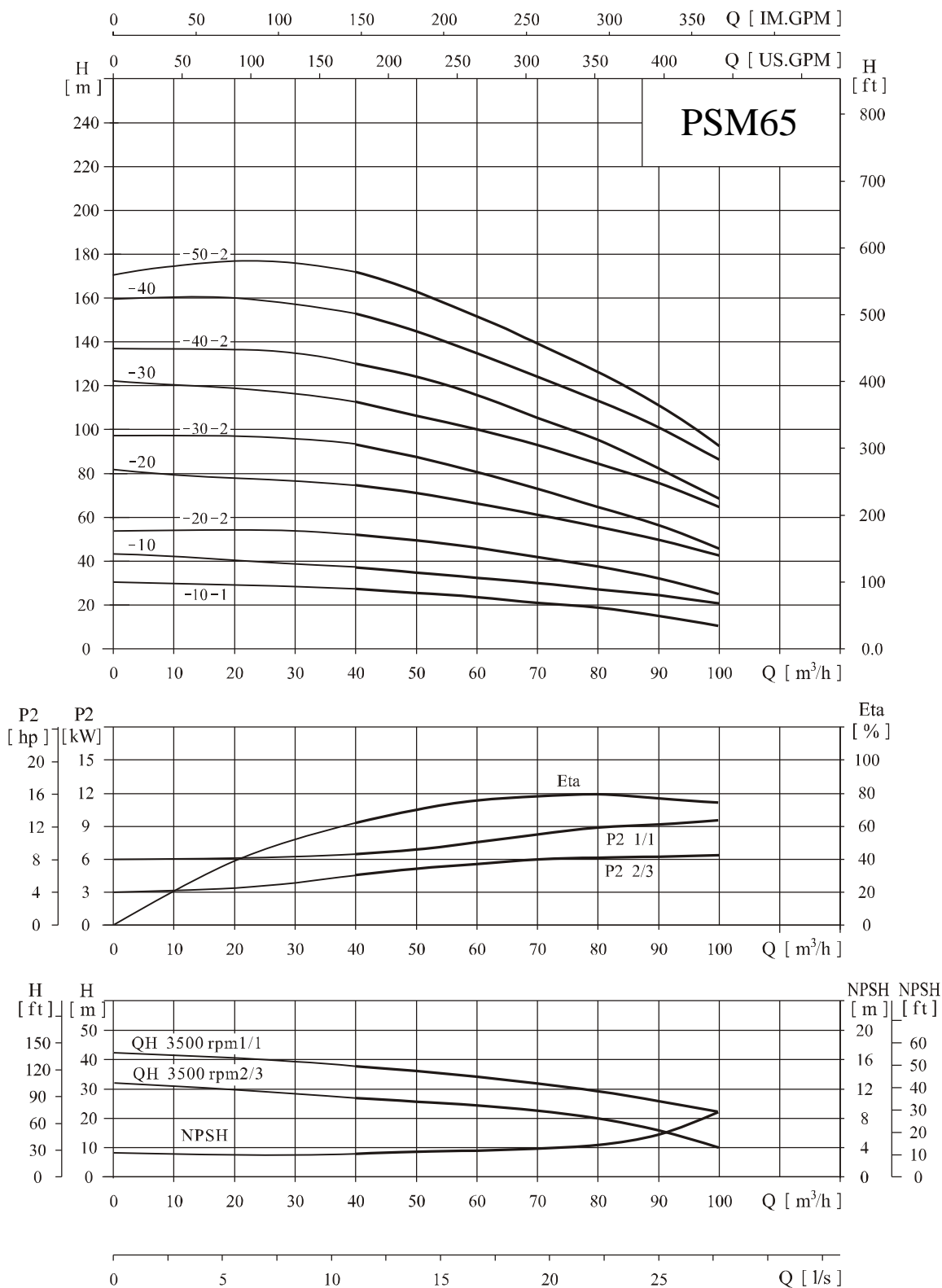
Model		B1	B2	D1	D2	Weight	
						lbs	kgs
PSM42-10-1	inches	21,879	16,77	10,14	8,112	237,6	108
	mm	561	430	260	208		
PSM42-10	inches	21,879	16,77	10,14	8,112	248,6	113
	mm	561	430	260	208		
PSM42-20-2	inches	29,172	19,11	12,87	9,945	338,8	154
	mm	748	490	330	255		
PSM42-20	inches	29,172	19,11	12,87	9,945	411,4	187
	mm	748	490	330	255		
PSM42-30-2	inches	32,292	21,45	12,87	9,945	442,2	201
	mm	828	550	330	255		
PSM42-30	inches	32,292	21,45	12,87	9,945	442,2	201
	mm	828	550	330	255		
PSM42-40-2	inches	35,412	23,01	14,04	11,115	567,6	258
	mm	908	590	360	285		
PSM42-40	inches	35,412	25,74	15,6	12,09	739,2	336
	mm	908	660	400	310		
PSM42-50-2	inches	38,532	25,74	15,6	12,09	750,2	341
	mm	988	660	400	310		
PSM42-50	inches	38,532	25,74	15,6	12,09	750,2	341
	mm	988	660	400	310		
PSM42-60-2	inches	41,652	25,74	15,6	12,09	803	365
	mm	1068	660	400	310		
PSM42-60	inches	41,652	25,74	15,6	12,09	803	365
	mm	1068	660	400	310		
PSM42-70-2	inches	44,772	27,3	17,94	13,26	957	435
	mm	1148	700	460	340		
PSM42-70	inches	44,772	27,3	17,94	13,26	957	435
	mm	1148	700	460	340		

The overall dimensions of the single-phase motor and explosion-proof motor are a little different. Pls contact us for details.

PSM65, 60Hz

● Performance curve

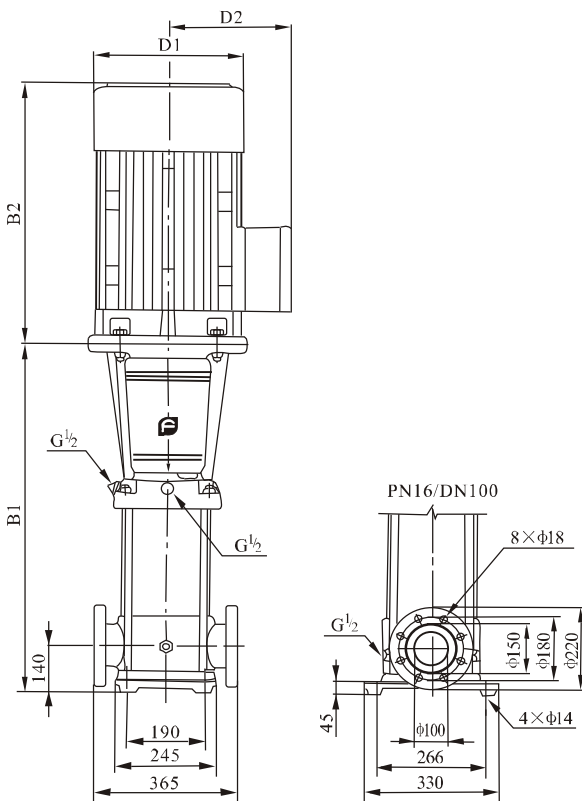
ISO9906 Annex A 3500rpm



● Performance table

Model	Motor		USGPM O (m3h)	176	220	264	286	308	352	396	440
	HP	KW		40	50	60	65	70	80	90	100
PSM65-10-1	10	7.5	feet head	85.28	82	75.44	72.16	68.88	59.04	45.92	32.8
			H (meter)	26	25	23	22	21	18	14	10
PSM65-10	15	11	feet head	121.36	114.8	108.24	104.96	101.68	91.84	78.72	68.88
			H (meter)	37	35	33	32	31	28	24	21
PSM65-20-2	20	15	feet head	173.84	164	154.16	144.32	137.76	121.36	101.68	75.44
			H (meter)	53	50	47	44	42	37	31	23
PSM65-20	30	22	feet head	242.72	236.16	219.76	209.92	203.36	186.96	167.28	137.76
			H (meter)	74	72	67	64	62	57	51	42
PSM65-30-2	30	22	feet head	305.04	288.64	262.4	249.28	236.16	213.2	183.68	147.6
			H (meter)	93	88	80	76	72	65	56	45
PSM65-30	40	30	feet head	367.36	354.24	328	314.88	305.04	282.08	252.56	213.2
			H (meter)	112	108	100	96	93	86	77	65
PSM65-40-2	50	37	feet head	426.4	406.72	377.2	360.8	337.84	308.32	272.24	216.48
			H (meter)	130	124	115	110	103	94	83	66
PSM65-40	60	45	feet head	498.56	472.32	442.8	426.4	403.44	373.92	334.56	282.08
			H (meter)	152	144	135	130	123	114	102	86
PSM65-50-2	60	45	feet head	564.16	531.36	495.28	472.32	449.36	413.28	367.36	298.48
			H (meter)	172	162	151	144	137	126	112	91

● Installation sketch



● Size and weight

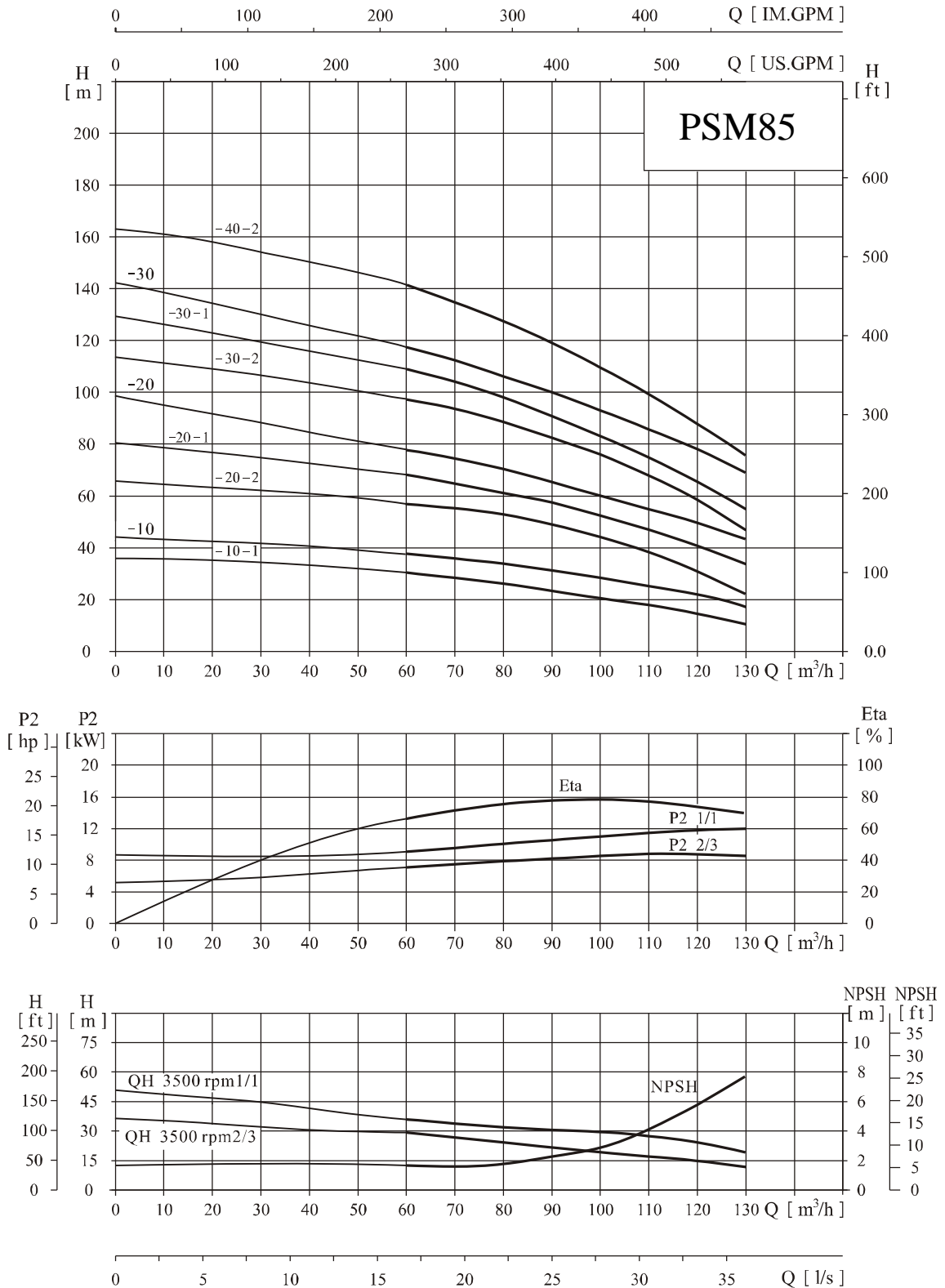
Model		B1	B2	D1	D2	Weight	
						lbs	kgs
PSM65-10-1	inches	21.879	16.77	10.14	8.112	253	115
	mm	561	430	260	208		
PSM65-10	inches	26.169	19.11	12.87	9.945	334.4	152
	mm	671	490	330	255		
PSM65-20-2	inches	29.406	19.11	12.87	9.945	418	190
	mm	754	490	330	255		
PSM65-20	inches	29.406	23.01	14.04	11.115	554.4	252
	mm	754	590	360	285		
PSM65-30-2	inches	32.604	23.01	14.04	11.115	565.4	257
	mm	836	590	360	285		
PSM65-30	inches	32.604	25.74	15.6	12.09	737	335
	mm	836	660	400	310		
PSM65-40-2	inches	35.841	25.74	15.6	12.09	792	360
	mm	919	660	400	310		
PSM65-40	inches	35.841	27.3	17.94	13.26	935	425
	mm	919	700	460	340		
PSM65-50-2	inches	39.039	27.3	17.94	13.26	946	430
	mm	1001	700	460	340		

The overall dimensions of the single-phase motor and explosion-proof motor are a little different. Pls contact us for details.

PSM85, 60Hz

● Performance curve

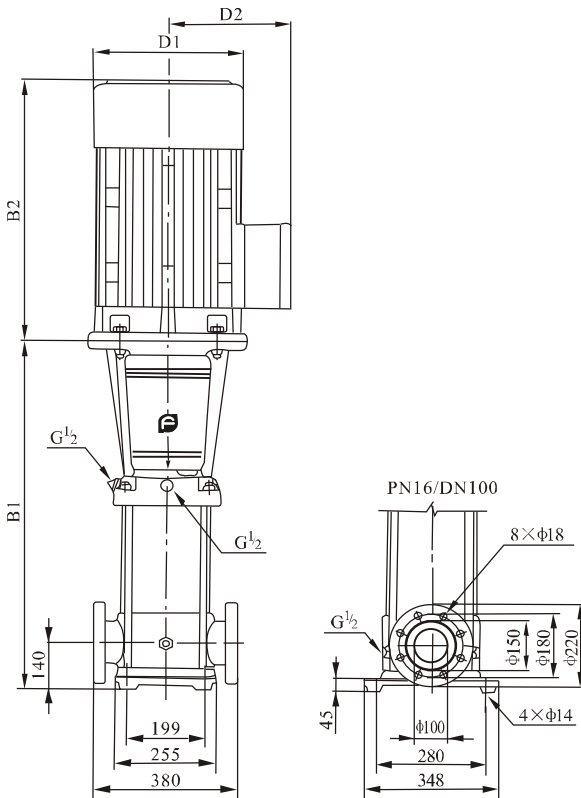
ISO9906 Annex A 3500rpm



● Performance table

Model	Motor		USGPM O (m3h)	264	308	352	374	396	440	484	528	572
	HP	KW		60	70	80	85	90	100	110	120	130
PSM85-10-1	15	11	feet head	101.68	88.56	82	78.72	75.44	68.88	59.04	45.92	29.52
			H (meter)	31	27	25	24	23	21	18	14	9
PSM85-10	20	15	feet head	118.08	114.8	108.24	101.68	98.4	95.12	85.28	75.44	59.04
			H (meter)	36	35	33	31	30	29	26	23	18
PSM85-20-2	25	18,5	feet head	193.52	186.96	177.12	167.28	157.44	144.32	127.92	104.96	72.16
			H (meter)	59	57	54	51	48	44	39	32	22
PSM85-20-1	30	22	feet head	219.76	213.2	203.36	193.52	186.96	167.28	154.16	134.48	108.24
			H (meter)	67	65	62	59	57	51	47	41	33
PSM85-20	40	30	feet head	249.28	239.44	226.32	216.48	209.92	196.8	183.68	170.56	144.32
			H (meter)	76	73	69	66	64	60	56	52	44
PSM85-30-2	50	37	feet head	321.44	308.32	288.64	278.8	268.96	246	226.32	193.52	150.88
			H (meter)	98	94	88	85	82	75	69	59	46
PSM85-30-1	50	37	feet head	354.24	341.12	321.44	308.32	295.2	272.24	255.84	226.32	183.68
			H (meter)	108	104	98	94	90	83	78	69	56
PSM85-30	60	45	feet head	380.48	364.08	344.4	334.56	318.16	305.04	288.64	259.12	226.32
			H (meter)	116	111	105	102	97	93	88	79	69
PSM85-40-2	60	45	feet head	462.48	442.8	419.84	406.72	387.04	357.52	334.56	291.92	236.16
			H (meter)	141	135	128	124	118	109	102	89	72

● Installation sketch



● Size and weight

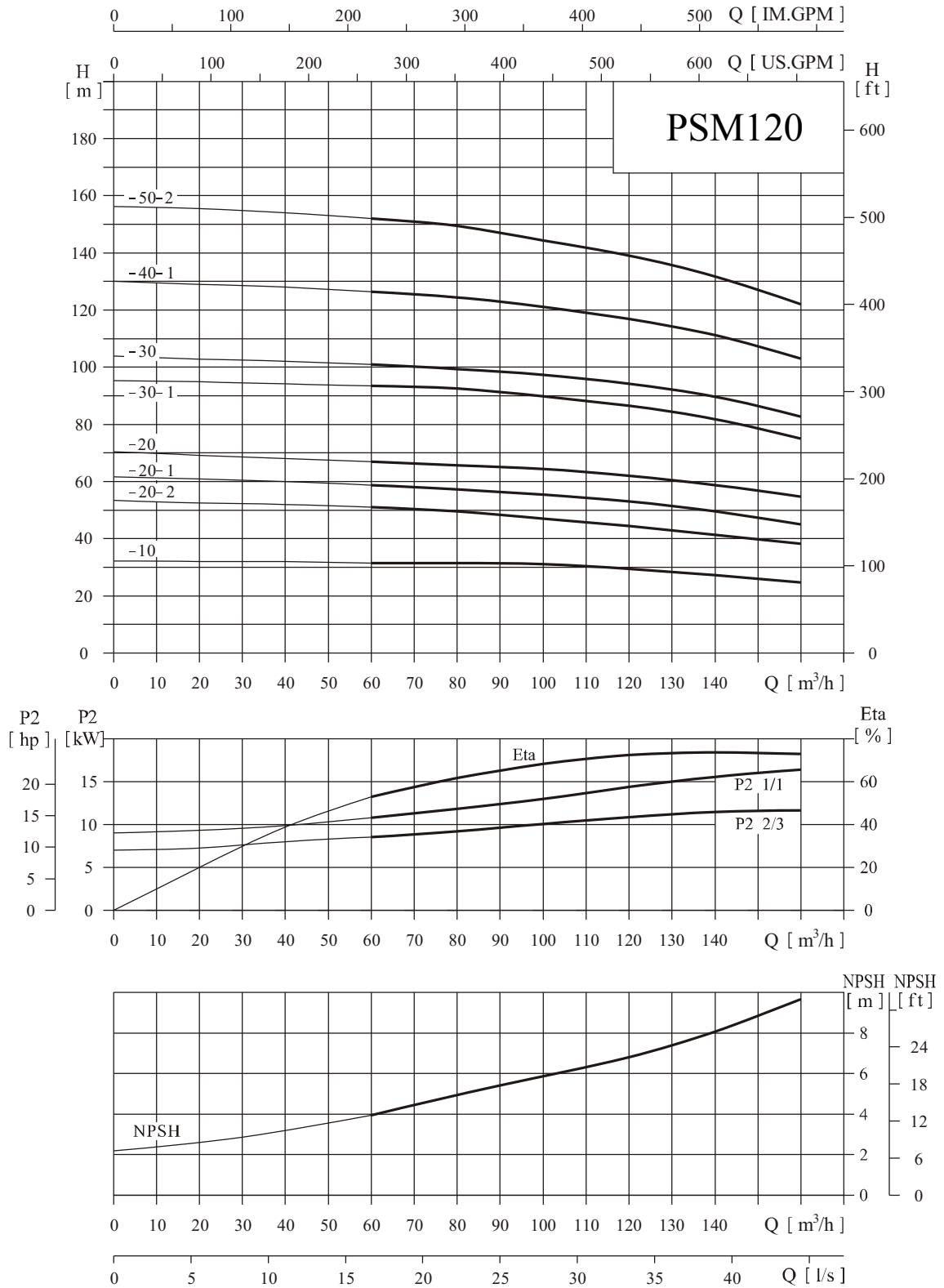
Model		B1	B2	D1	D2	Weight	
						lbs	kgs
PSM85-10-1	inches	22.269	19.11	12.87	9.945	404.8	184
	mm	571	490	330	255		
PSM85-10	inches	22.269	19.11	12.87	9.945	404.8	184
	mm	571	490	330	255		
PSM85-20-2	inches	30.147	21.45	12.87	9.945	580.8	264
	mm	773	550	330	255		
PSM85-20-1	inches	30.147	23.01	14.04	11.115	580.8	264
	mm	773	590	360	285		
PSM85-20	inches	30.03	25.74	15.6	12.09	723.8	329
	mm	770	660	400	310		
PSM85-30-2	inches	33.735	25.74	15.6	12.09	798.6	363
	mm	865	660	400	310		
PSM85-30-1	inches	33.735	25.74	15.6	12.09	798.6	363
	mm	865	660	400	310		
PSM85-30	inches	33.735	27.3	17.94	13.26	798.6	363
	mm	865	700	460	340		
PSM85-40-2	inches	37.323	27.3	17.94	13.26	946	430
	mm	957	700	460	340		

The overall dimensions of the single-phase motor and explosion-proof motor are a little different. Pls contact us for details.

PSM120, 60Hz

● Performance curve

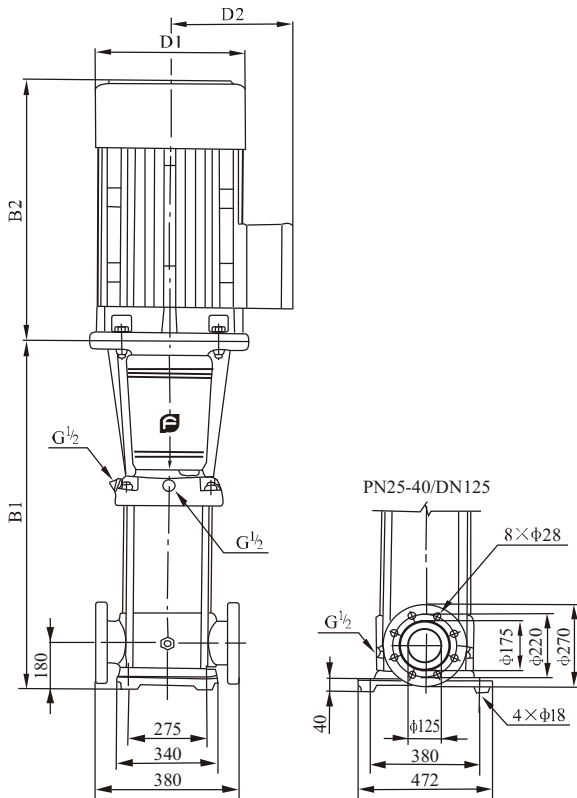
ISO9906 Annex A 3540rpm



● Performance table

Model	Motor		USGPM O (m3h)	264	308	352	396	440	484	528	572	616	660	704
	HP	KW		60	70	80	90	100	110	120	130	140	150	160
PSM120-10	25	19	feet head	98.56	98.24	98.24	97.6	96.96	94.4	92.16	88.32	84.48	81.28	78.08
			H (meter)	30.8	30.7	30.7	30.5	30.3	29.5	28.8	27.6	26.4	25.4	24.4
PSM120-20-2	40	30	feet head	168.92	165.64	162.36	155.8	150.88	149.24	146.944	141.04	134.48	130.216	126.28
			H (meter)	51.5	50.5	49.5	47.5	46	45.5	44.8	43	41	39.7	38.5
PSM120-20-1	40	30	feet head	186.56	185.6	183.36	179.2	175.04	172.8	169.6	164.8	160	151.68	144
			H (meter)	58.3	58	57.3	56	54.7	54	53	51.5	50	47.4	45
PSM120-20	50	37	feet head	212.16	211.2	210.24	208	206.08	201.6	198.4	194.24	190.72	182.4	174.72
			H (meter)	66.3	66	65.7	65	64.4	63	62	60.7	59.6	57	54.6
PSM120-30-1	60	45	feet head	292.16	291.2	289.28	284.8	280.64	275.2	270.08	262.4	256	245.44	234.56
			H (meter)	91.3	91	90.4	89	87.7	86	84.4	82	80	76.7	73.3
PSM120-30	75	55	feet head	320.96	320	318.08	314.56	311.36	305.6	300.8	294.4	288	276.16	264.64
			H (meter)	100.3	100	99.4	98.3	97.3	95.5	94	92	90	86.3	82.7
PSM120-40-1	100	75	feet head	403.2	401.28	398.72	392.32	385.92	379.2	372.8	364.8	356.16	342.4	329.6
			H (meter)	126	125.4	124.6	122.6	120.6	118.5	116.5	114	111.3	107	103
PSM120-50-2	100	75	feet head	486.4	483.2	479.04	470.4	460.8	452.8	444.8	433.6	422.4	406.4	390.4
			H (meter)	152	151	149.7	147	144	141.5	139	135.5	132	127	122

● Installation sketch



● Size and weight

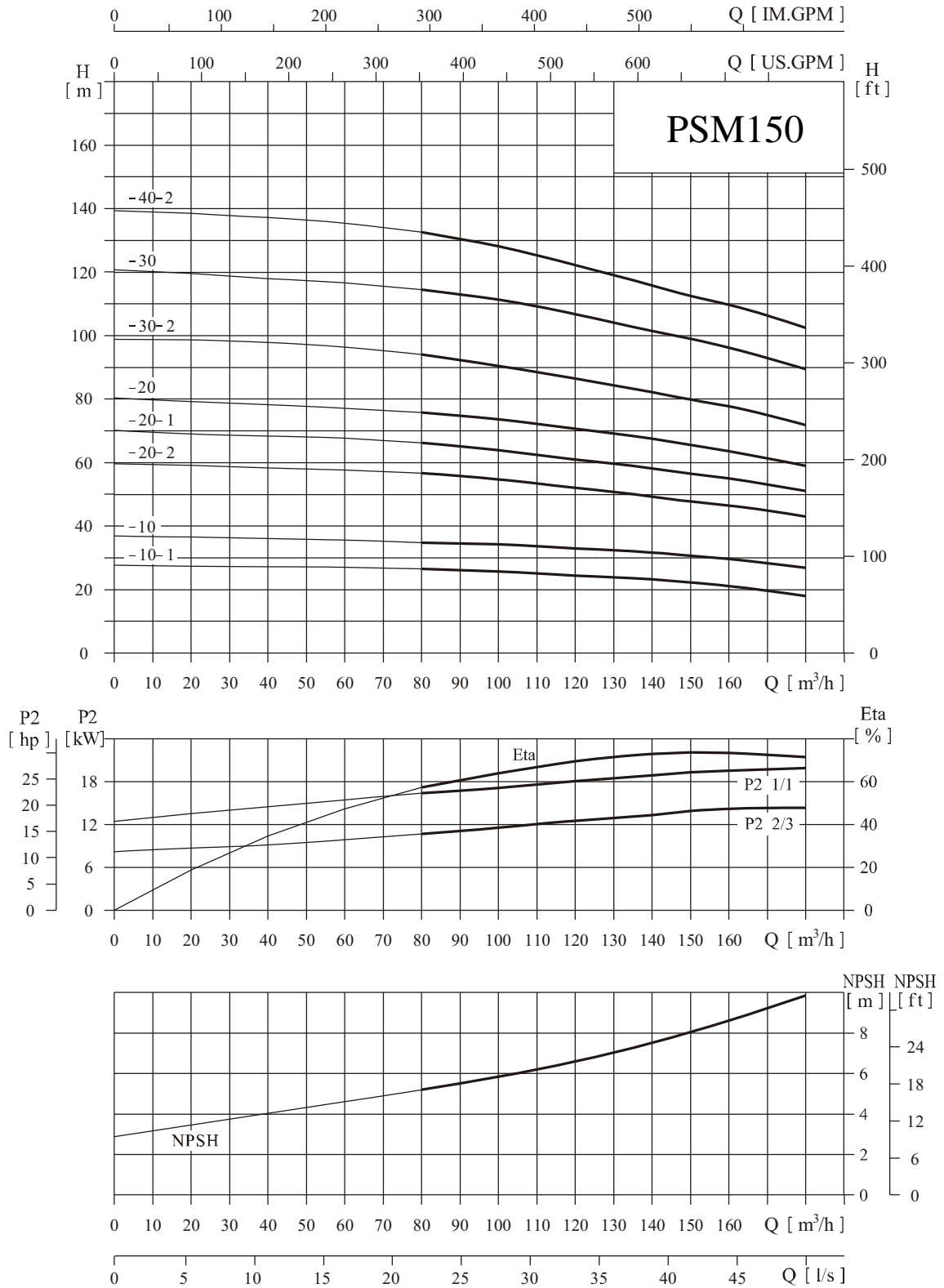
Model		B1	B2	D1	D2	Weight	
						lbs	kgs
PSM120-10	inches	32.76	21.45	12.87	9.945	550	250
	mm	840	550	330	255		
PSM120-20-2	inches	39	25.74	15.6	12.09	770	350
	mm	1000	660	400	310		
PSM120-20-1	inches	39	25.74	15.6	12.09	770	350
	mm	1000	660	400	310		
PSM120-20	inches	39	25.74	15.6	12.09	836	380
	mm	1000	660	400	310		
PSM120-30-1	inches	45.24	27.3	17.94	13.26	979	445
	mm	1160	700	460	340		
PSM120-30	inches	46.41	30.03	21.06	14.43	1199	545
	mm	1190	770	540	370		
PSM120-40-1	inches	52.65	32.955	22.62	15.99	1485	675
	mm	1350	845	580	410		
PSM120-50-2	inches	58.89	32.955	22.62	15.99	1518	690
	mm	1510	845	580	410		

The overall dimensions of the single-phase motor and explosion-proof motor are a little different. Pls contact us for details.

PSM150, 60Hz

● Performance curve

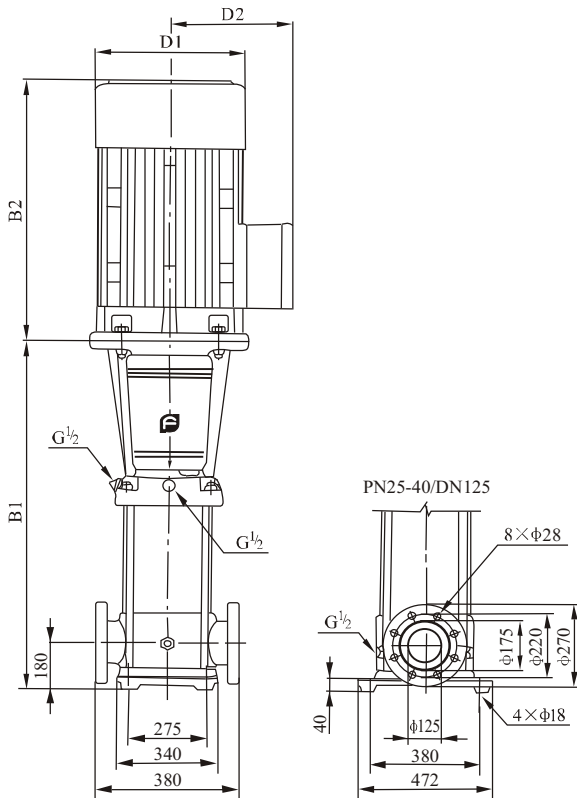
ISO9906 Annex A 3540rpm



● Performance table

Model	Motor		USGPM Q (m3h)	352	396	440	484	528	572	616	660	704	748	792
	HP	KW		80	90	100	110	120	130	140	150	160	170	180
PSM150-10-1	20	15	feet head	86.92	85.28	84.296	82	79.704	78.064	76.096	73.144	69.536	63.96	59.04
			H (meter)	26.5	26	25.7	25	24.3	23.8	23.2	22.3	21.2	19.5	18
PSM150-10	30	22	feet head	114.8	113.16	111.52	110.208	108.24	105.944	103.976	100.696	97.088	91.84	88.56
			H (meter)	35	34.5	34	33.6	33	32.3	31.7	30.7	29.6	28	27
PSM150-20-2	40	30	feet head	186.96	182.04	173.84	170.56	168.264	164	160.72	157.44	154.16	147.6	141.04
			H (meter)	57	55.5	53	52	51.3	50	49	48	47	45	43
PSM150-20-1	50	37	feet head	219.76	213.2	208.28	203.36	200.08	196.8	191.88	183.68	180.4	173.84	167.28
			H (meter)	67	65	63.5	62	61	60	58.5	56	55	53	51
PSM150-20	60	45	feet head	247.64	244.36	241.408	236.16	230.912	226.32	221.4	214.84	208.28	200.08	193.52
			H (meter)	75.5	74.5	73.6	72	70.4	69	67.5	65.5	63.5	61	59
PSM150-30-2	75	55	feet head	308.32	301.76	296.84	289.952	283.392	307.664	265.68	262.4	255.84	246.984	237.8
			H (meter)	94	92	90.5	88.4	86.4	93.8	81	80	78	75.3	72.5
PSM150-30	100	75	feet head	375.232	370.64	365.064	357.52	349.32	341.12	332.92	324.72	314.88	305.04	293.232
			H (meter)	114.4	113	111.3	109	106.5	104	101.5	99	96	93	89.4
PSM150-40-2	100	75	feet head	436.24	427.384	418.528	408.688	399.176	388.024	377.2	369	360.8	348.664	336.2
			H (meter)	133	130.3	127.6	124.6	121.7	118.3	115	112.5	110	106.3	102.5

● Installation sketch

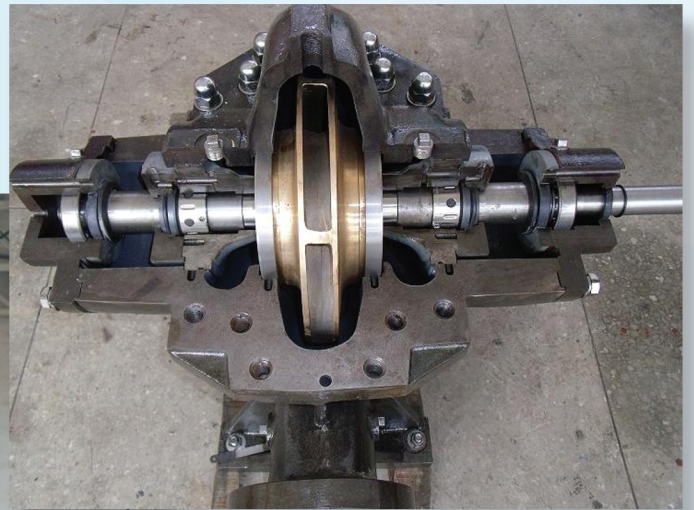
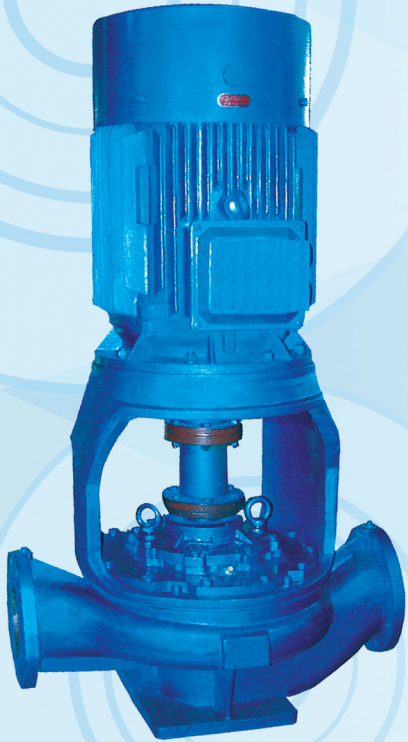


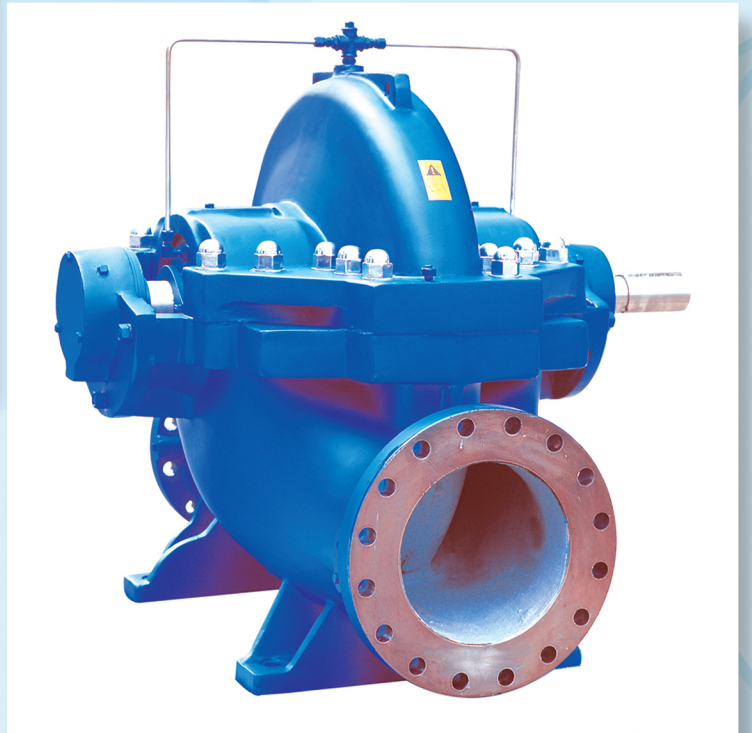
● Size and weight

Model		B1	B2	D1	D2	Weight	
						lbs	kgs
PSM150-10-1	inches	32.76	19.11	12.87	9.945	517	235
	mm	840	490	330	255		
PSM150-10	inches	32.76	23.01	14.04	11.115	616	280
	mm	840	590	360	285		
PSM150-20-2	inches	39	25.74	15.6	12.09	792	360
	mm	1000	660	400	310		
PSM150-20-1	inches	39	25.74	15.6	12.09	836	380
	mm	1000	660	400	310		
PSM150-20	inches	39	27.3	17.94	13.26	957	435
	mm	1000	700	460	340		
PSM150-30-2	inches	46.41	30.03	21.06	14.43	1199	545
	mm	1190	770	540	370		
PSM150-30	inches	46.41	32.955	22.62	15.99	1463	665
	mm	1190	845	580	410		
PSM150-40-2	inches	52.65	32.955	22.62	15.99	1496	680
	mm	1350	845	580	410		

The overall dimensions of the single-phase motor and explosion-proof motor are a little different. Pls contact us for details.

Our company's other products







Proud pumps supplier for the New World Trade Center towers in New York

We are also a proud pumps supplier for the following completed and ongoing projects:



James Haley VA Hospital

Tampa, Florida
www.tampa.va.gov
 Eng: IC Thomasson Association Incorporated

Morton Plant North Bay Hospital

New Port Richey, Florida
www.mortonplant.com
 Eng: IC Thomasson Association Incorporated



Palm Beach Gardens Medical Center - ER Expansion

Plam Beach Gardens, Florida
www.pbgmc.com
 Eng: IC Thomasson Association Incorporated

Museum of Science and Industry

Tampa, Florida
www.mosi.org
 Eng: Advanced Systems Engineering



St-Joseph's Women's Hospital

Tampa, Florida
www.sjbhealth.org
 Eng: Smith, Seckman, Reid Engineering

FLO FAB Inc.

USA

Lake Worth
 Florida
 USA
 33467-5749

CANADA

860 Industriel Blvd
 Bois-des-Filion, Quebec
 J6Z 4V7
 Canada
 Tel.: (450) 621-2995
 Fax: (450) 621-4995