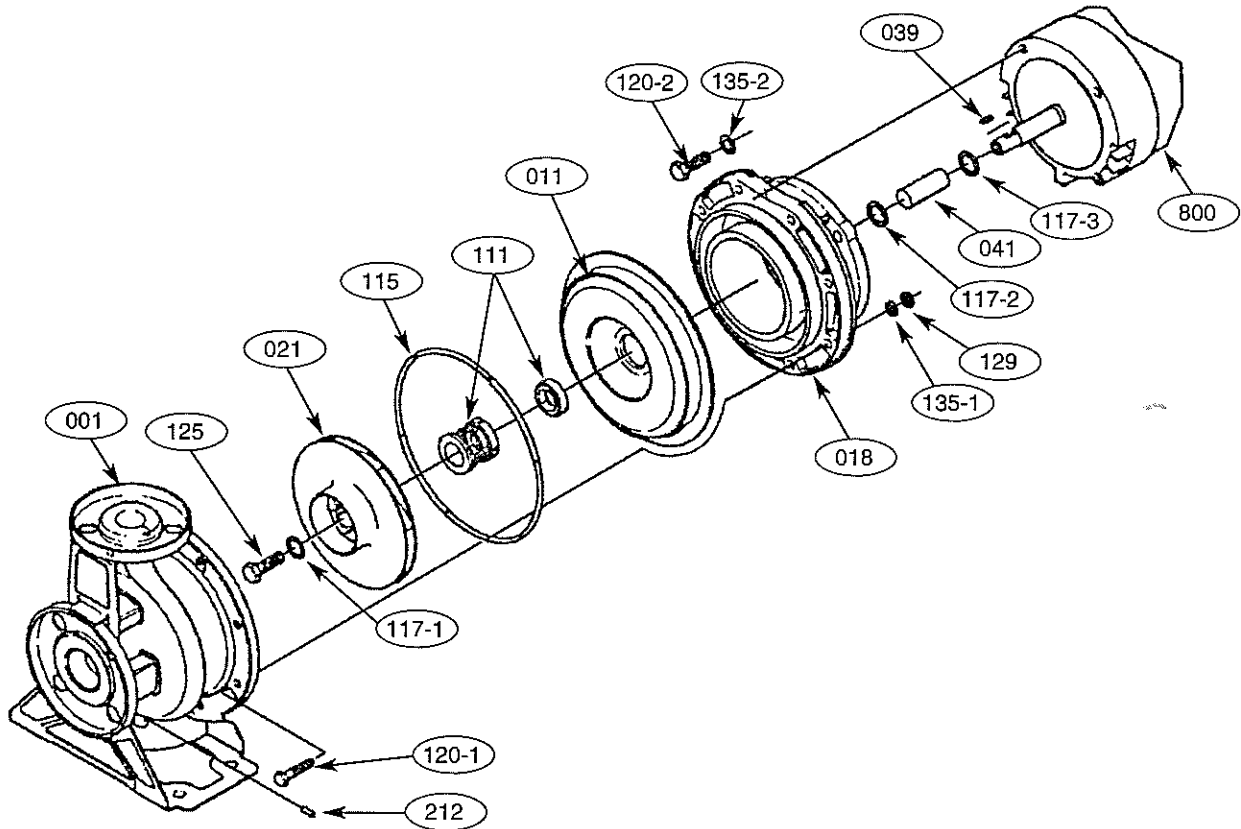


**Sectional view – PSF**



Part No.	Part Name	Material	No. for 1 Unit
001	Casing	304L Stainless	1
011	Casing cover	304L Stainless	1
018	Bracket	Cast Iron	1
021	Impeller	304L Stainless	1
039	Key	304L Stainless	1
041	Shaft sleeve	304L Stainless	1
111	Mechanical seal	–	1
115	O-Ring	Viton	1
117-1	Gasket	Nylon	1
117-2	Gasket	Nylon	1
117-3	Gasket	Nylon	1
120-1	Bolt	304L Stainless	8
120-2	Bolt	304L Stainless	4
125	Impeller Bolt	304L Stainless	1
129	Nut	304L Stainless	8
135-1	Washer	304L Stainless	8
135-2	Washer	304L Stainless	4
160	Motor support (not shown)	Steel	1 set
212	Plug	304L Stainless	1
800	Motor	–	1
	Suction Flange Gasket	Viton	1
	Discharge Flange Gasket	Viton	1