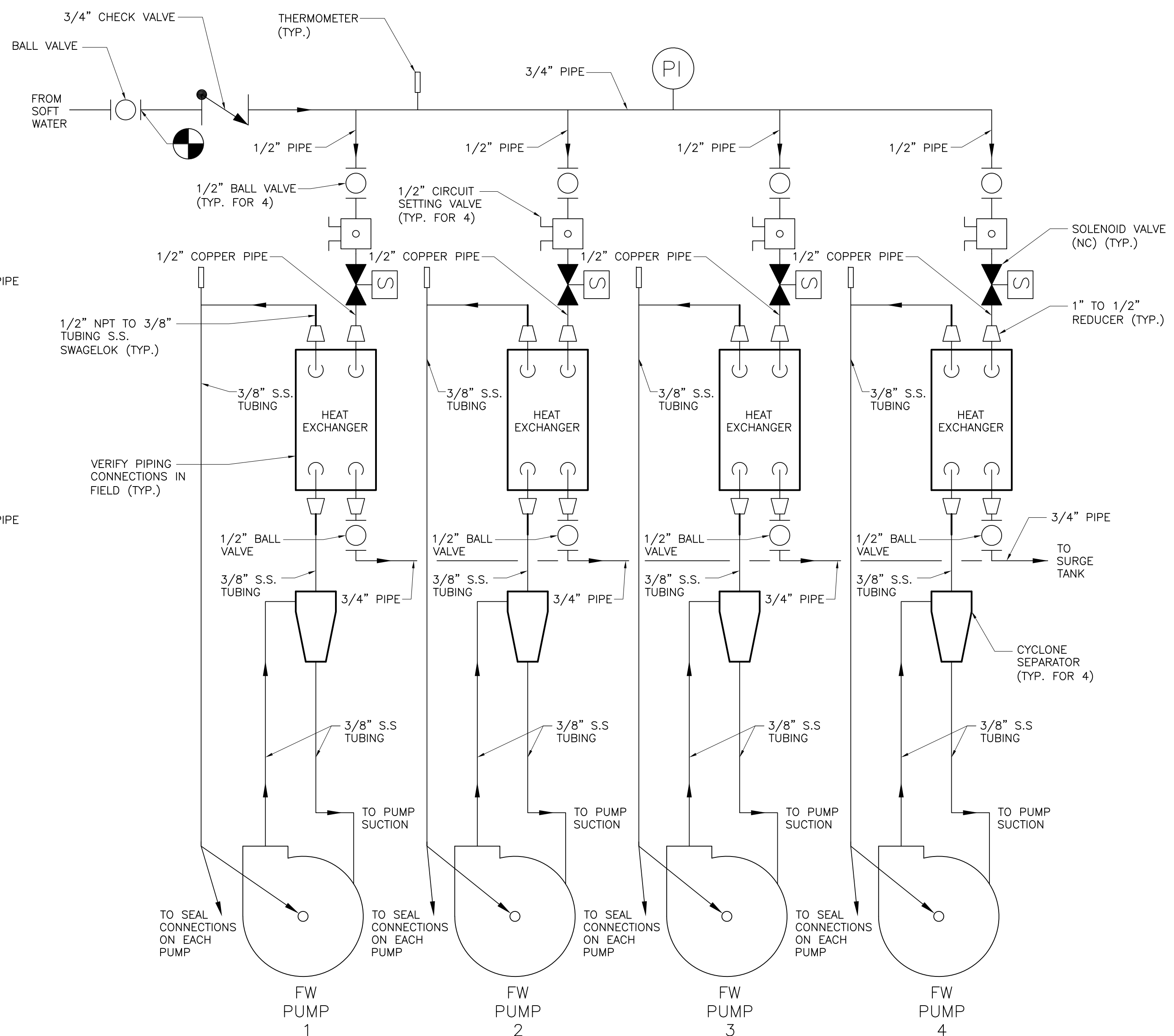


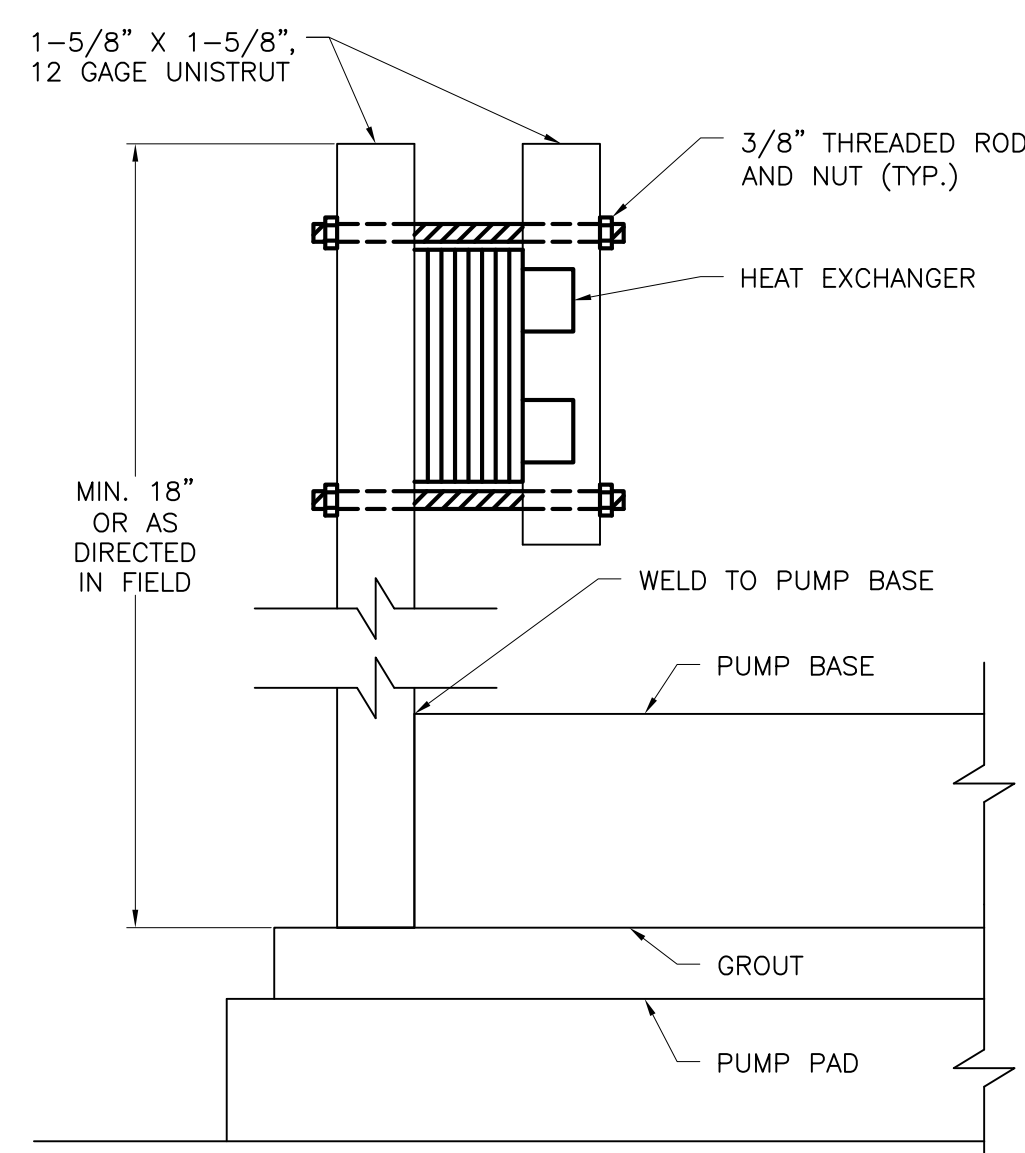
BOILER ROOM - GROUND LEVEL - CYCLONE AND COOLING DETAIL - PUMPS 1 AND 4 IN OPERATION

SCALE: NOT TO SCALE



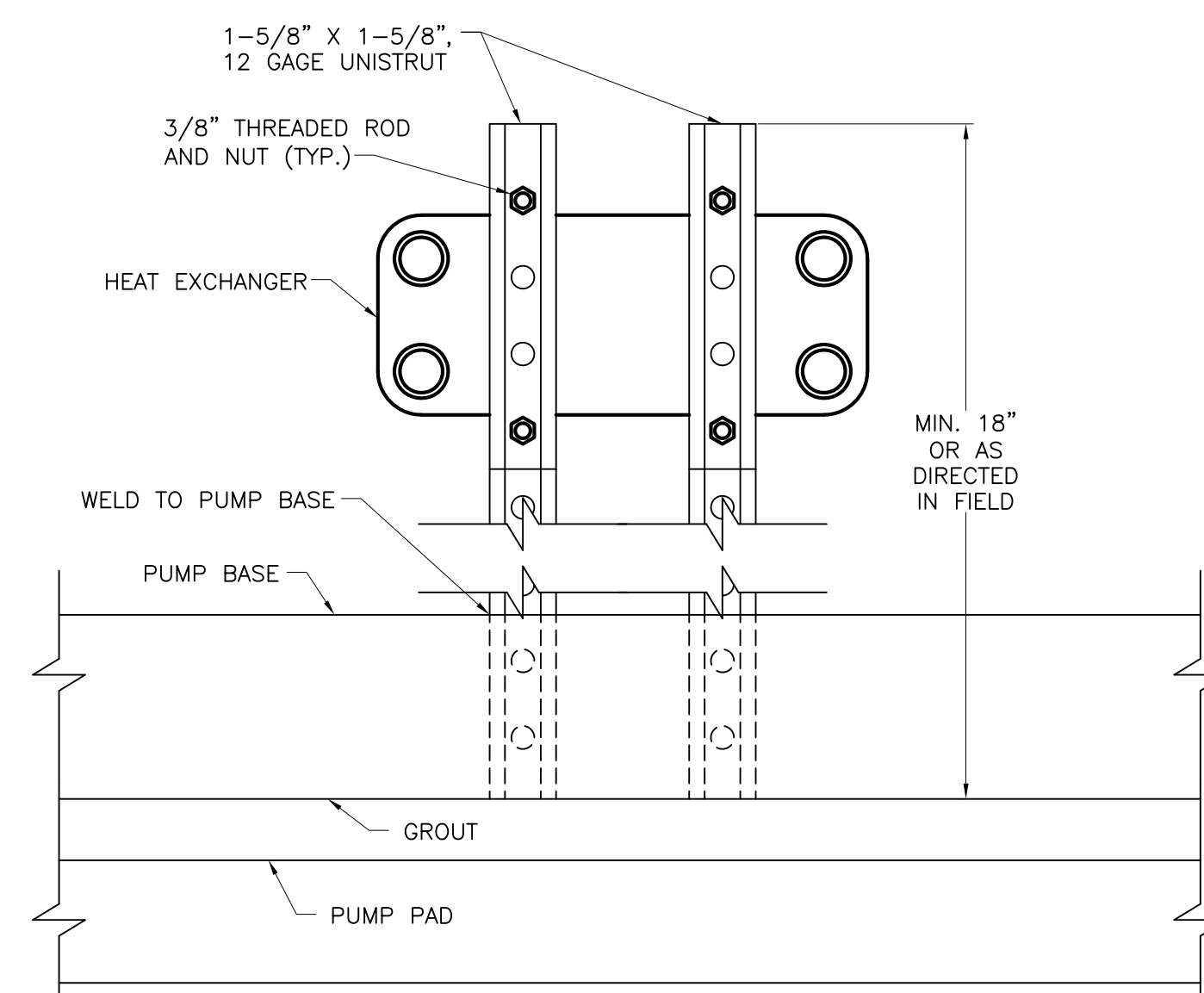
BOILER ROOM - GROUND LEVEL - CYCLONE AND COOLING DETAIL - PUMPS 1, 2, 3, AND 4 IN OPERATION

SCALE: NOT TO SCALE



HEAT EXCHANGER MOUNTING DETAILS - SIDE VIEW

SCALE: NOT TO SCALE



HEAT EXCHANGER MOUNTING DETAILS - FRONT VIEW

SCALE: NOT TO SCALE

