

PARTS LIST		
ITEM	ITEM QTY	DESCRIPTION
1	1	SKID 48" X 48"
2	2	1000-C820A PUMP
3	2	MOTOR 3 HP 182TC 575V 3 PH 60 HZ
4	2	BRACKET 8" IRON 143-215 JM F1
5	2	WAFFER CHECK VALVE 2"
6	2	BUTTERFLY VALVE 2"
7	2	BUTTERFLY VALVE 2.5"
9	4	PRESSURE GAUGE - 0-100 PSI - RFF0400LF1-423
11	4	BALL VALVE 1/4"
12	1	SUCTION HEADER 2 1/2" X 4"
13	1	DISCHARGE HEADER 2" X 4"
14	2	PUMP DISCHARGE NPT CONNECTION
15	2	PUMP SUCTION NPT CONNECTION
16	2	SPOOL 2"
18	2	MOTOR BASE
20	1	BT-132V EXPANSION TANK
21	1	COPPER TUBING

DRAWING %	
FABRICATION	
100%	
90%	X
75%	
50%	
PRELIMINARY	

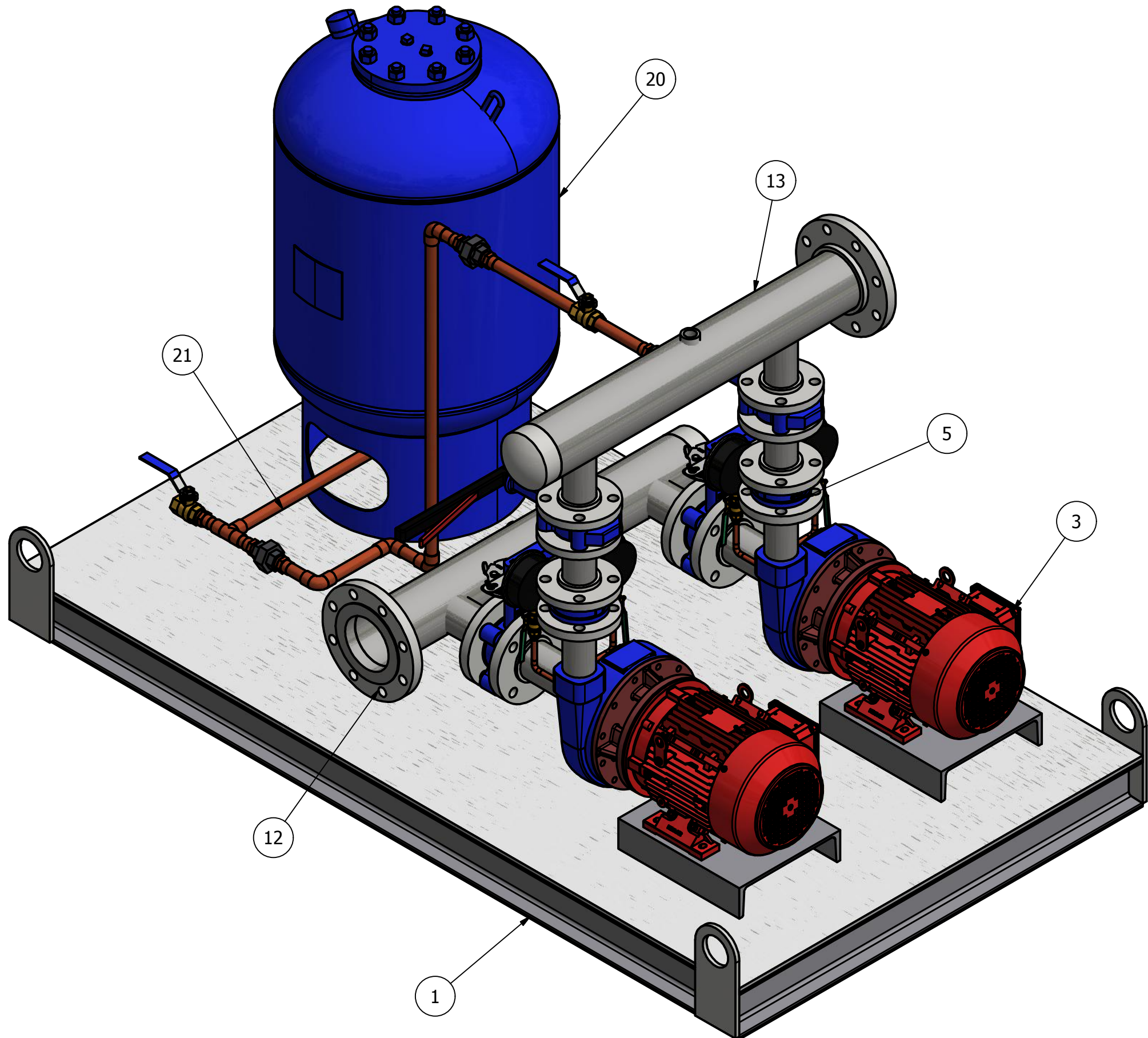
NOTE:

- ALL PIPING IN STAINLESS STEEL 304 SCH-10S

REVISION HISTORY		
REV	DESCRIPTION	DATE
1	PRELIMINARY DRAWINGS	05-20-2016
THIS DRAWING MUST BE SENT WITH PURCHASE ORDER		
DESIGNER T. LALONDE	DATE 05/27/2016	TITLE / TITRE DUPLEX BOOSTER 880 PUMP SYSTEM
PROJECT / PROJET		
CUSTOMER / CLIENT		
QUOTE	TAG	
DWG NO.		REV 2
SCALE / ECHELLE 0.13	JOB NO.	SHEET 1 OF 3




MONTREAL, (QC), CANADA
TORONTO, (ON), CANADA
LAKE WORTH, (FL), USA
WWW.FLOFAB.COM

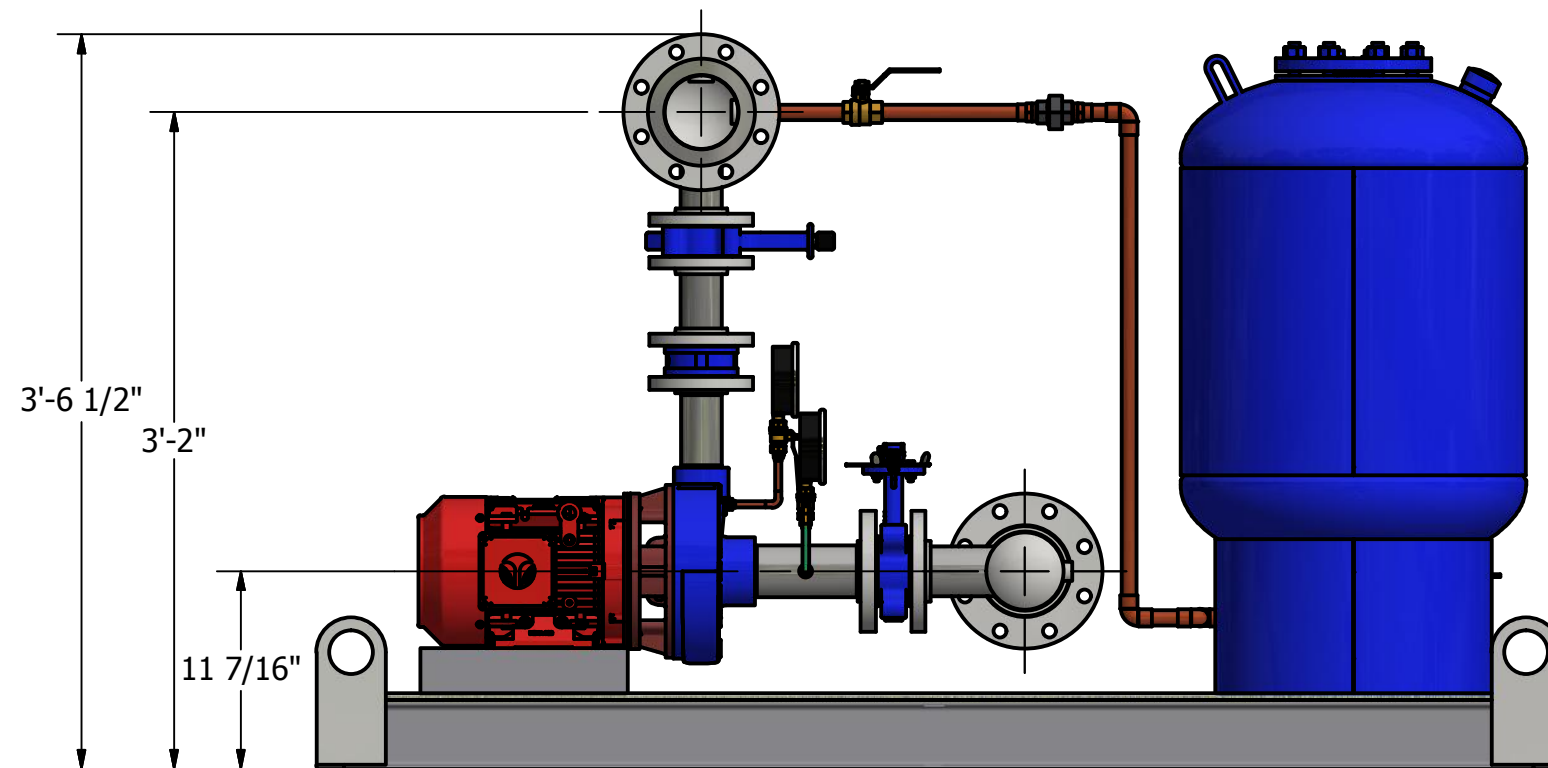
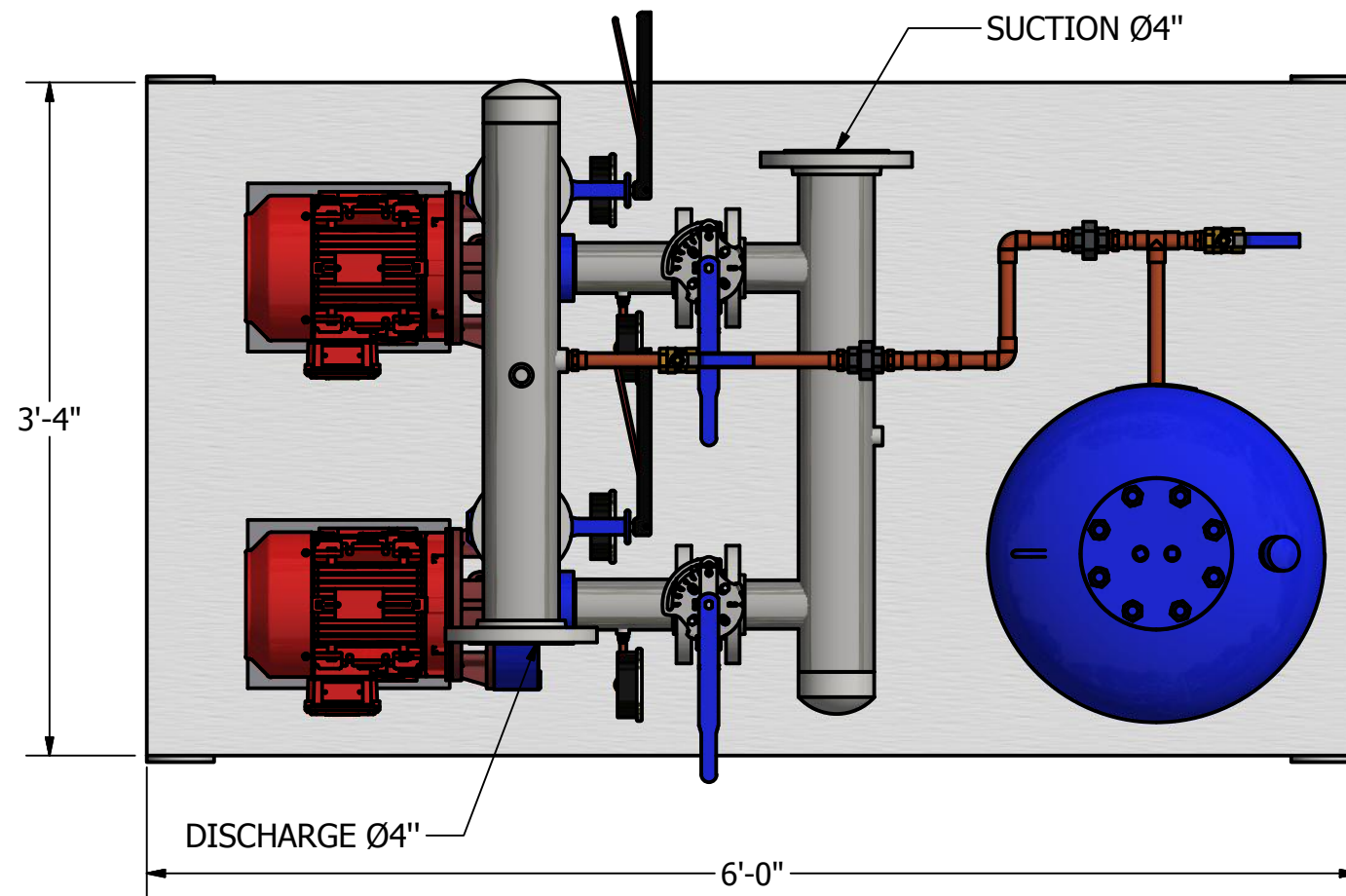



PARTS LIST		
ITEM	ITEM QTY	DESCRIPTION
1	1	SKID 48" X 48"
2	2	1000-C820A PUMP
3	2	MOTOR 3 HP 182TC 575V 3 PH 60 HZ
4	2	BRACKET 8" IRON 143-215 JM F1
5	2	WAFER CHECK VALVE 2"
6	2	BUTTERFLY VALVE 2"
7	2	BUTTERFLY VALVE 2.5"
9	4	PRESSURE GAUGE - 0-100 PSI - RFF0400LF1-423
11	4	BALL VALVE 1/4"
12	1	SUCTION HEADER 2 1/2" X 4"
13	1	DISCHARGE HEADER 2" X 4"
14	2	PUMP DISCHARGE NPT CONNECTION
15	2	PUMP SUCTION NPT CONNECTION
16	2	SPOOL 2"
18	2	MOTOR BASE
20	1	BT-132V EXPANSION TANK
21	1	COPPER TUBING

NOTE:

- ALL PIPING IN STAINLESS STEEL 304 SCH-10S

THIS DRAWING MUST BE SENT WITH PURCHASE ORDER			
DESIGNER T. LALONDE	DATE 05/27/2016	TITLE / TITRE DUPLEX BOOSTER 880 PUMP SYSTEM	
		PROJECT / PROJET	
		CUSTOMER / CLIENT	
MONTREAL, (QC), CANADA TORONTO, (ON), CANADA LAKE WORTH, (FL), USA WWW.FLOFAB.COM		QUOTE	TAG
DWG NO.		REV 2	
SCALE / ECHELLE .13		JOB NO.	
			SHEET 2 OF 3



THIS DRAWING MUST BE SENT WITH PURCHASE ORDER			
DESIGNER T. LALONDE	DATE 05/27/2016	TITLE / TITRE DUPLEX BOOSTER 880 PUMP SYSTEM	
		PROJECT / PROJET	
		CUSTOMER / CLIENT	
MONTREAL, (QC), CANADA TORONTO, (ON), CANADA LAKE WORTH, (FL), USA WWW.FLOFAB.COM		QUOTE	TAG
SCALE / ECHELLE 0.09		JOB NO.	REV 2
			SHEET 3 OF 3