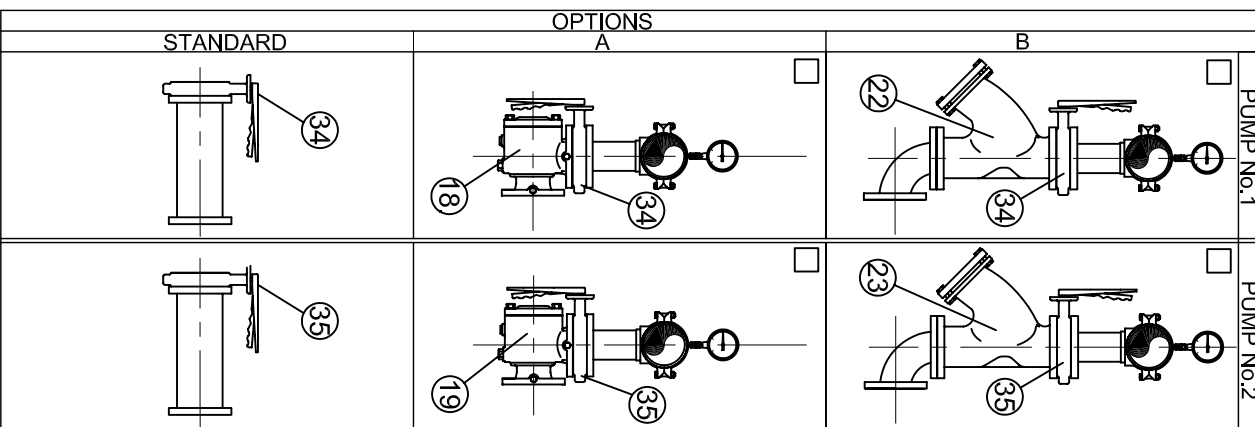
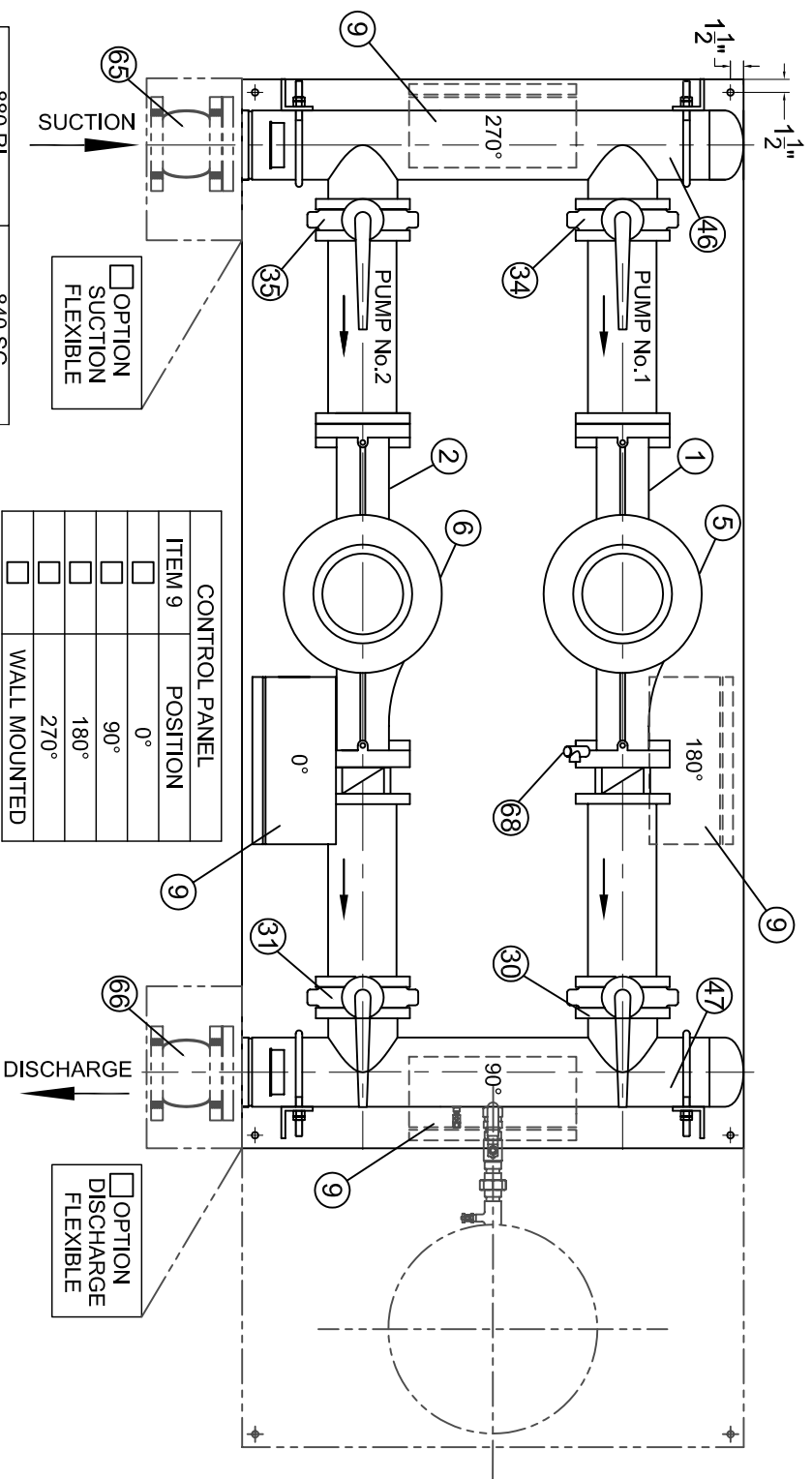


SUCTION OPTIONS



STANDARD AS SHOWN	OPTION-1	OPTION-2
<input type="checkbox"/>	<input type="checkbox"/>	<input type="checkbox"/>
<input type="checkbox"/>	<input type="checkbox"/>	<input type="checkbox"/>
<input type="checkbox"/>	<input type="checkbox"/>	<input type="checkbox"/>

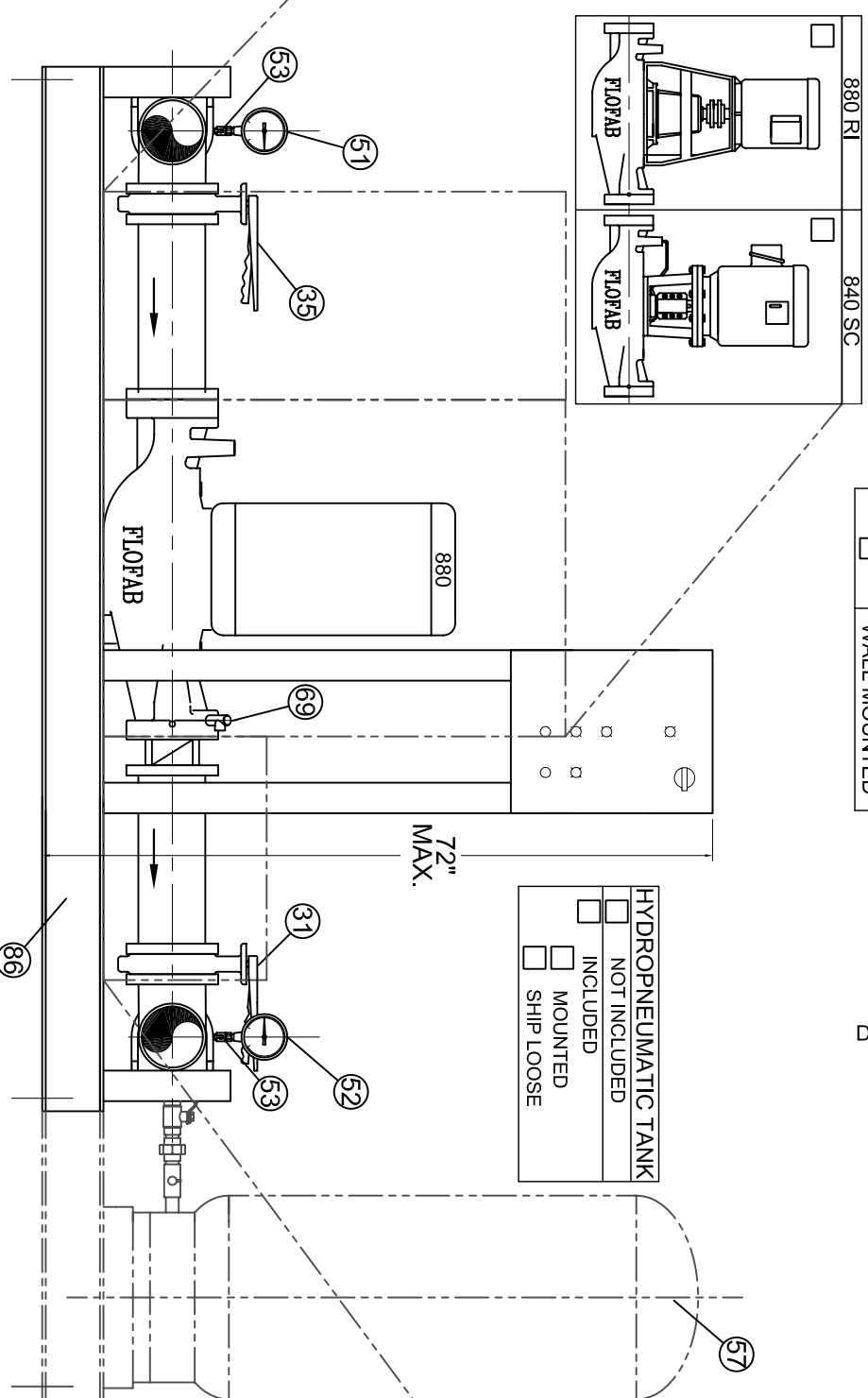
HEADER SIZE
<input type="checkbox"/> 0-300 USGPM Ø3"
<input type="checkbox"/> 301-500 USGPM Ø4"
<input type="checkbox"/> 501-1100 USGPM Ø6"



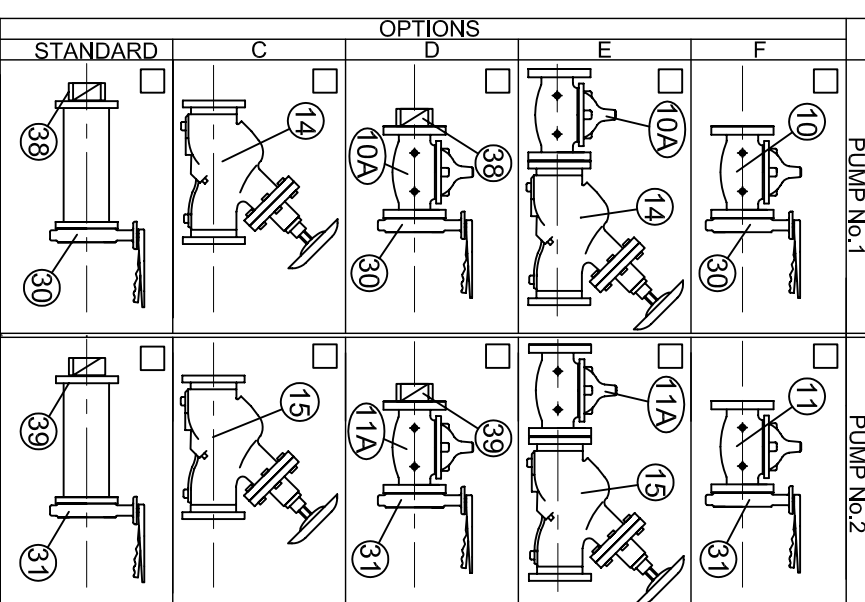
CONTROL PANEL	POSITION
<input type="checkbox"/>	0°
<input type="checkbox"/>	90°
<input type="checkbox"/>	180°
<input type="checkbox"/>	270°

<input type="checkbox"/>	OPTION SUCTION FLEXIBLE
<input type="checkbox"/>	OPTION DISCHARGE FLEXIBLE

HYDRONEUMATIC TANK	
<input type="checkbox"/>	NOT INCLUDED
<input type="checkbox"/>	INCLUDED
<input type="checkbox"/>	MOUNTED
<input type="checkbox"/>	SHIP LOOSE



DISCHARGE OPTIONS




<input type="checkbox"/>	D-CPS-
<input type="checkbox"/>	D-CPS-HT-

<p>TITLE/TITRE FLO FAB DUPLEX CONSTANT PRESSURE SYSTEMS SERIES "CPS"</p>	
<p>FLO FAB AQUA PROFAB</p>	<p>ENGINEER / INGÉNIEUR CUSTOMER / CLIENT</p>
<p>880 BOULEVARD INDUSTRIEL, BOIS-DES-FILLES, QC J8Z 4V7 (450) 821-2895</p>	<p>PART LIST / LISTE DE MATÉRIEL N° DATE / DATE</p>
<p>DRAWN BY / Dessinateur M.LYMBURNER</p>	<p>SCALE / ÉCHELLE N / A</p>
<p>APRIL 2007</p>	<p>DRAWING N° / N° Dessin D-CPS-890_890_RL_840_SC-SUBMITTAL 0</p>

NO	QTY	DESCRIPTION	SIZE	PART NUMBER
1	1	PUMP 1		
2	1	PUMP 2		
5	1	M1 MOTOR		
6	1	M2 MOTOR		
9	1	PANEL CONTROL		
10		NO. 1 PRESSURE REDUCING VALVE (W/ C V)		
10A		NO. 1 PRESSURE REDUCING VALVE (W/O C V)		
11		NO. 2 PRESSURE REDUCING VALVE (W/ C V)		
11A		NO. 2 PRESSURE REDUCING VALVE (W/O C V)		
14		NO. 1 TRIPLE DUTY VALVE		
15		NO. 2 TRIPLE DUTY VALVE		
18		NO. 1 SUCTION DIFFUSER (WITH STRAINER)		
19		NO. 2 SUCTION DIFFUSER (WITH STRAINER)		
22		NO. 1 Y-STRAINER		
23		NO. 2 Y-STRAINER		
30		NO. 1 DISCHARGE BUTTERFLY VALVE		
31		NO. 2 DISCHARGE BUTTERFLY VALVE		
34		NO. 1 SUCTION BUTTERFLY VALVE		
35		NO. 2 SUCTION BUTTERFLY VALVE		
38		NO. 1 DISCHARGE CHECK VALVE		
39		NO. 2 DISCHARGE CHECK VALVE		
46	1	SUCTION HEADER SIZE AND MATERIAL		
47	1	DISCHARGE HEADER SIZE AND MATERIAL		
51	1	SUCTION PRESSURE GAUGE		
52	1	DISCHARGE PRESSURE GAUGE		
53	2	PET COCKS		
57		DISCHARGE EXPANSION TANK (CPS SYSTEM)		
65		SUCTION FLEXIBLE		
66		DISCHARGE FLEXIBLE		
68	1	P1 TEMPERATURE RELIEF CONTROL VALVE		
69	1	P2 TEMPERATURE RELIEF CONTROL VALVE		
86	1	STEEL FABRICATED BASEPLATE		

<input type="checkbox"/>	D-CPS-_____
<input type="checkbox"/>	D-CPS-HT-_____

TITLE / TITRE FLO FAB - DUPLEX "CPS" SERIES 880_880 RI_840 SC MATERIAL LIST			
		PROJECT / PROJET	
880 BOULEVARD INDUSTRIEL BOIS-DES-FILION, QC J6Z 4V7, (450) 621-2995		CUSTOMER / CLIENT	
DRAWN BY / DESSINATEUR M. LYMBURNER		DRAWING N° / N° DESSIN	DATE / DATE MAY 2007
SCALE / ÉCHELLE N / A	PART LIST N° / LISTE DE MATERIEL N°		REV 0

REV	DESCRIPTION	DATE	INIT.