

*** DRAWING NOT TO SCALE, FOR REFERENCE ONLY***
 DIMENSIONS SUBJECT TO CHANGE WITHOUT NOTICE.
 DO NOT USE FOR CONSTRUCTION PURPOSES

DESIGNER / DESSINATEUR
 Pascal M. 2012-10-05

TITLE / TITRE
 D-CPS-PSM-VFD



PROJECT / PROJET

ACABAY INC.

CUSTOMER / CLIENT

Bob Trahan

LAKE WORTH
 FLORIDA U.S.A
 WWW.FLOFAB.COM

QUOTE
 91083

DWG NO
 D-CPS-PSM-VFD

REV
 0

SCALE / ECHELLE
 N/A

TAG
 WBS Alternate SS VFD

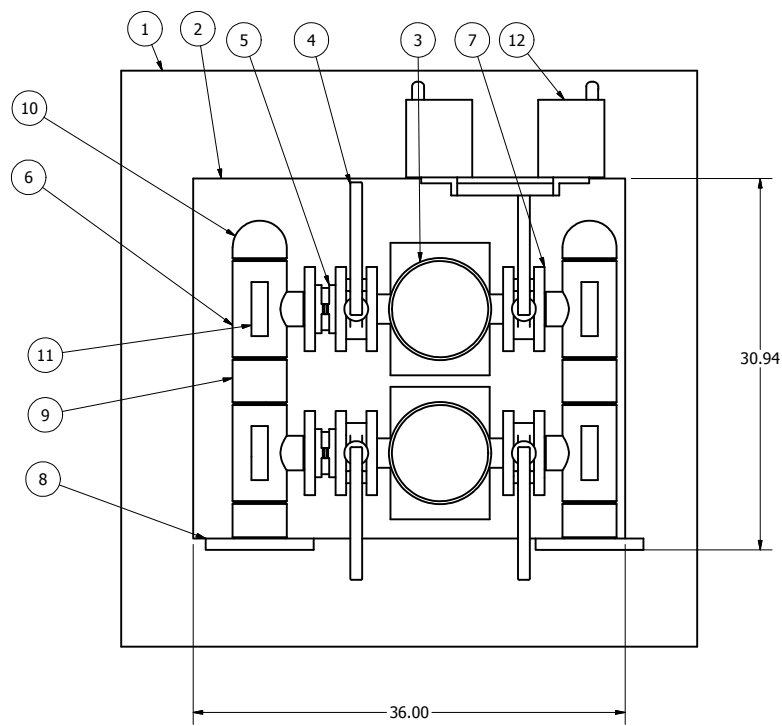
SHEET 1 OF 2

4

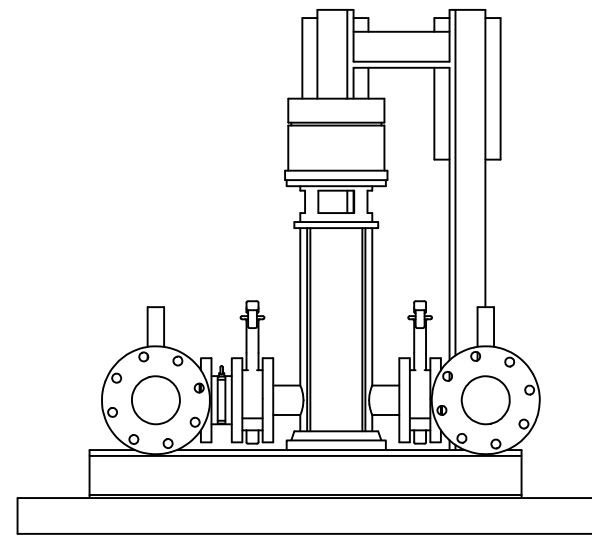
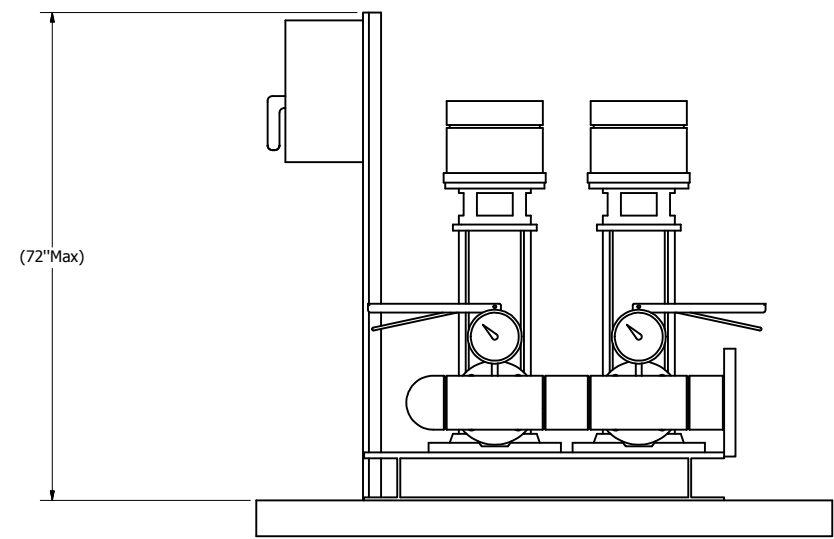
3

2

1



PARTS LIST			
ITEM	QTY	PART NUMBER	DESCRIPTION
1	1		Floor
2	1		Steel Base
3	2	PSM32-30-2	Pumps
4	4	BFVZ0200-L 2.50"	ButterFly Valve 2.5"Ø
5	2		2.00" Wafer Check Valves
6	4		Tees 3" With 2.5"
7	6		Flange 2.50 in
8	2		Flange 4.00 in
9	4	Length 4.00"	Length 4.00"
10	2		Cap 4.00"
11	4	RFF0400	Pressure Gauges
12	1		VFD



*** DRAWING NOT TO SCALE, FOR REFERENCE ONLY***
 DIMENSIONS SUBJECT TO CHANGE WITHOUT NOTICE.
 DO NOT USE FOR CONSTRUCTION PURPOSES

DESIGNER / DESSINATEUR Pascal M.	2012-10-05	TITLE / TITRE D-CPS-PSM-VFD
		PROJECT / PROJET ACABAY INC.
LAKE WORTH FLORIDA U.S.A WWW.FLOFAB.COM		CUSTOMER / CLIENT Bob Trahan
QUOTE 91083	DWG NO D-CPS-PSM-VFD	REV 0
SCALE / ECHELLE N/A	TAG WBS Alternate SS VFD	SHEET 2 OF 2

4

3

2

1