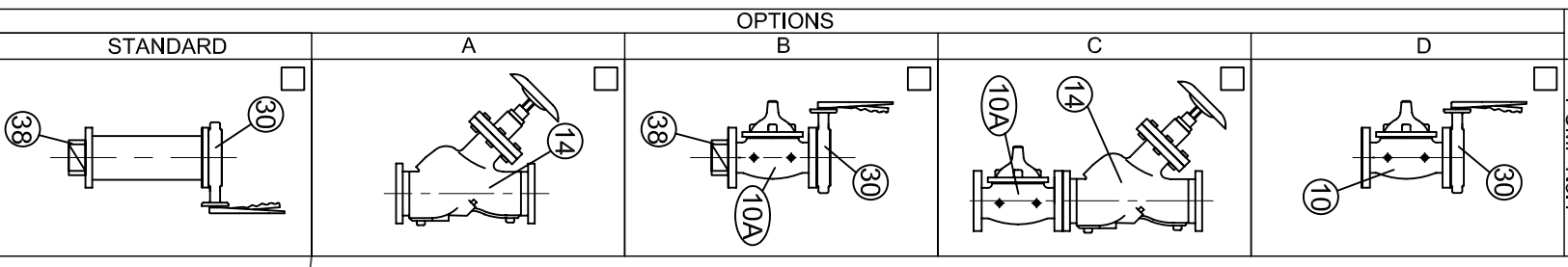


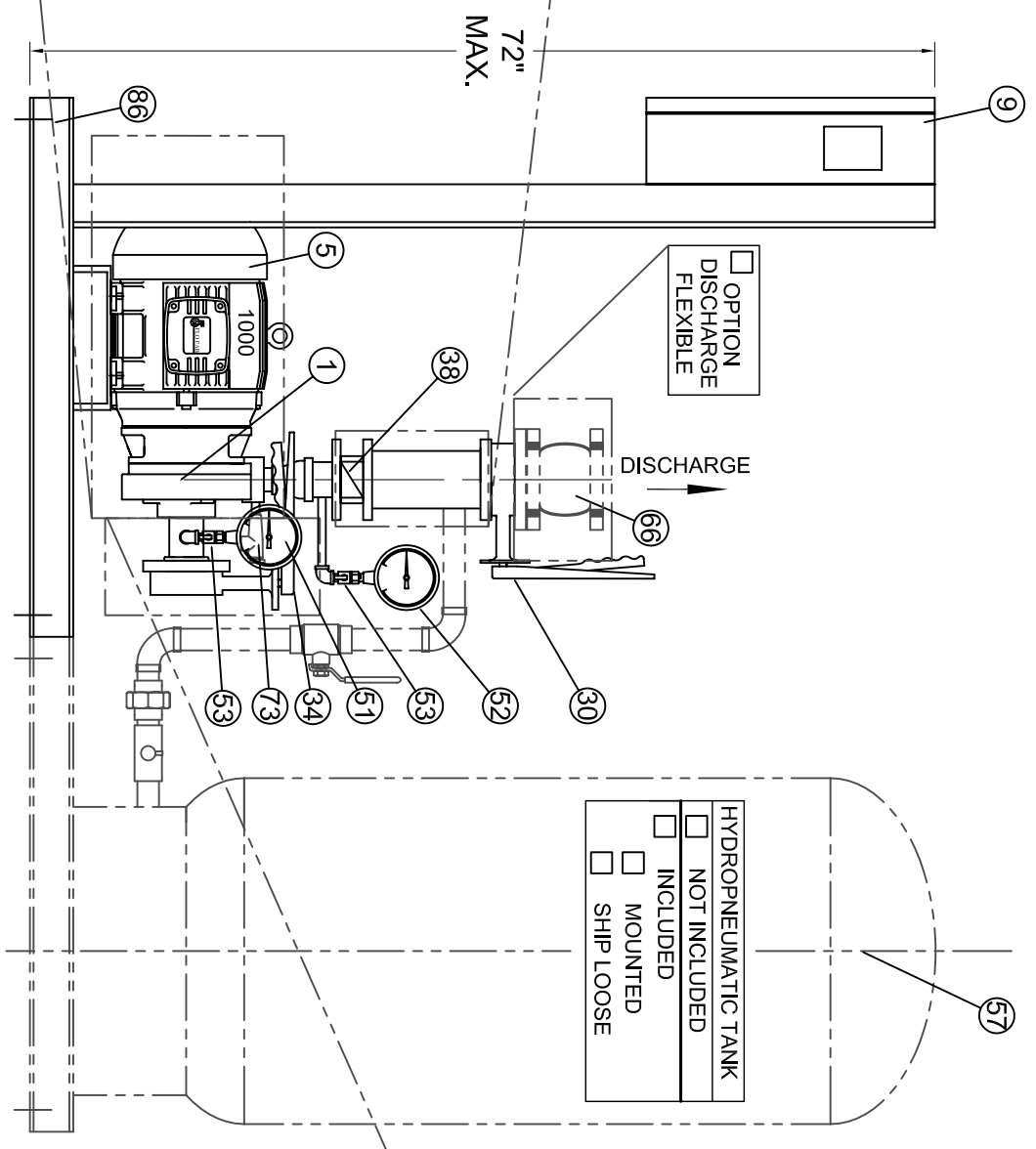
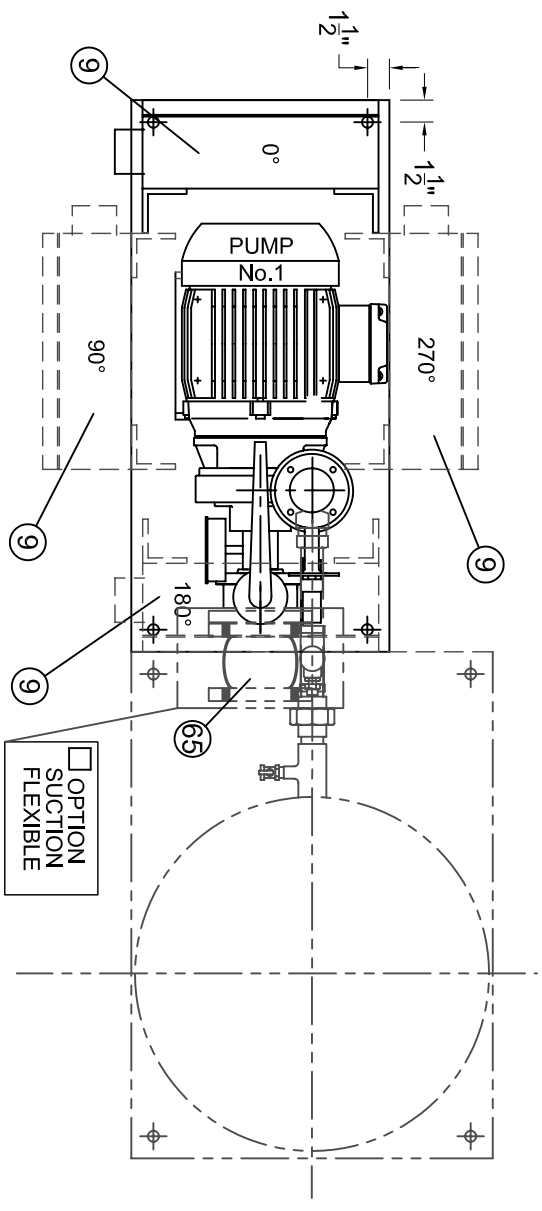
DISCHARGE OPTIONS
PUMP No.1



STANDARD AS SHOWN	OPTION-1	OPTION-2
IN OUT	IN OUT	IN OUT

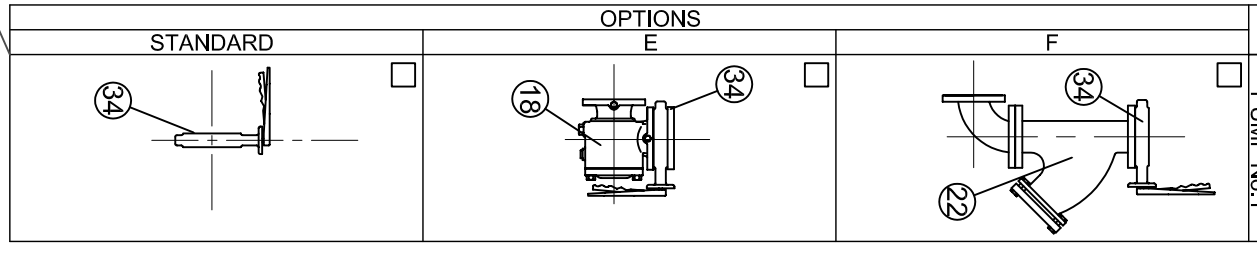
HEADER SIZE	
<input type="checkbox"/>	0-300 USGPM Ø3"
<input type="checkbox"/>	301-500 USGPM Ø4"
<input type="checkbox"/>	501-1100 USGPM Ø6"

CONTROL PANEL POSITION	
<input type="checkbox"/>	0°
<input type="checkbox"/>	90°
<input type="checkbox"/>	180°
<input type="checkbox"/>	270°
<input type="checkbox"/>	WALL MOUNTED



HYDRO-PNEUMATIC TANK	
<input type="checkbox"/>	NOT INCLUDED
<input type="checkbox"/>	INCLUDED
<input type="checkbox"/>	MOUNTED
<input type="checkbox"/>	SHIP LOOSE

SUCTION OPTIONS
PUMP No.1



<input type="checkbox"/>	S-CPS-
<input type="checkbox"/>	S-CPS-HT-

TITLE / TITRE
FLO FAB SIMPLEX CONSTANT PRESSURE SYSTEM
SERIES "CPS"

FLO FAB
AQUA PROFAB

860 BOULEVARD INDUSTRIEL
BOISBES-FLUON, QC
J0Z 2V1 (450) 621-2595

CUSTOMER / CLIENT
PART LIST N° / LISTE DE MATÉRIEL N°
DATE / DATE

ENGINEER / INGÉNIEUR
SCALE / ÉCHELLE
DRAWING N° / N° DESSIN
REV

ML YMBURNER N/A S-CPS-1000_2000 SUBMITTAL 0

