

PARTS LIST		
ITEM	ITEM QTY	DESCRIPTION
1	1	SKID
2	1	880-2X2-8 PUMP
3	1	BRACKET 8" IRON 143-215 JM F1
4	1	MOTOR 1.5 HP 1750 RPM 575V 3 PH 60 HZ
5	1	VFD - IQP1000-5A0003FAANEMA1
6	1	WAFER CHECK VALVE 2"
7	1	BALL VALVE 1/2"
8	3	BUTTERFLY VALVE 2"
9	1	PRESSURE TRANSMITTER
10	2	PRESSURE GAUGE - 0-160 PSI
11	2	BALL VALVE 1/4"

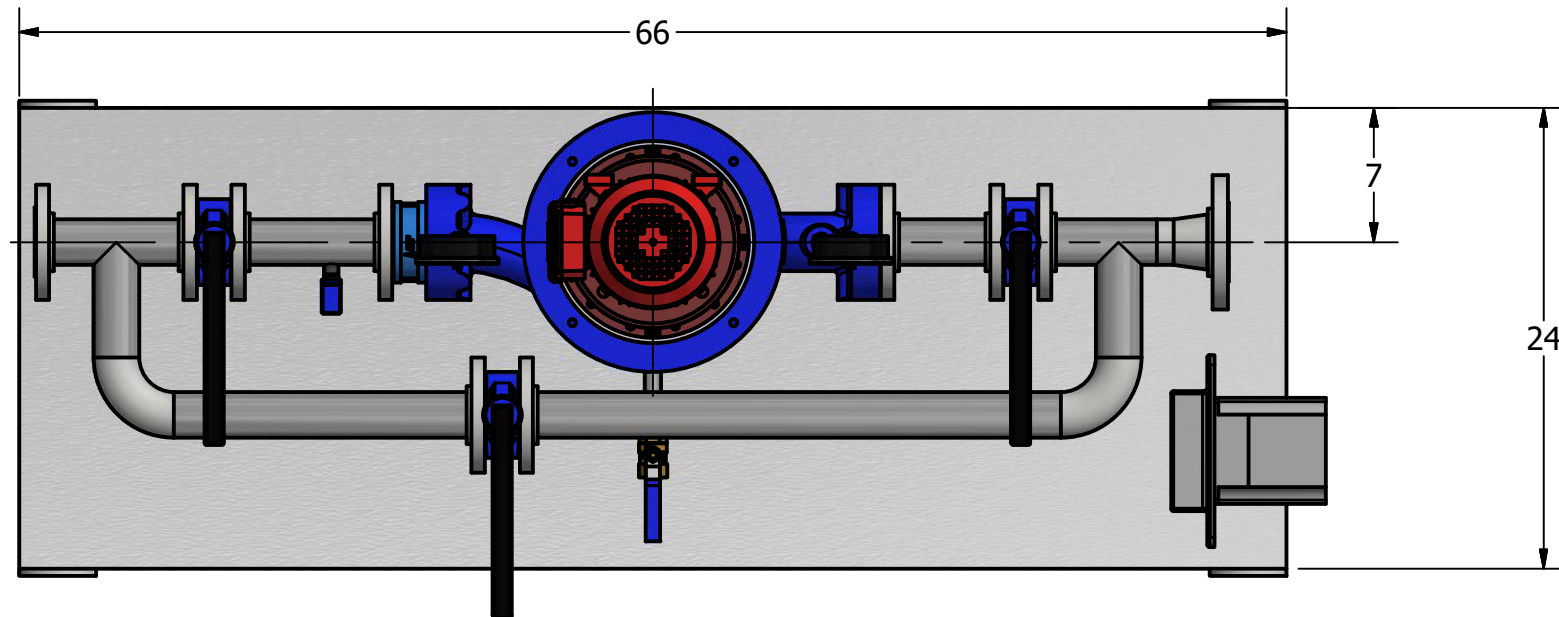
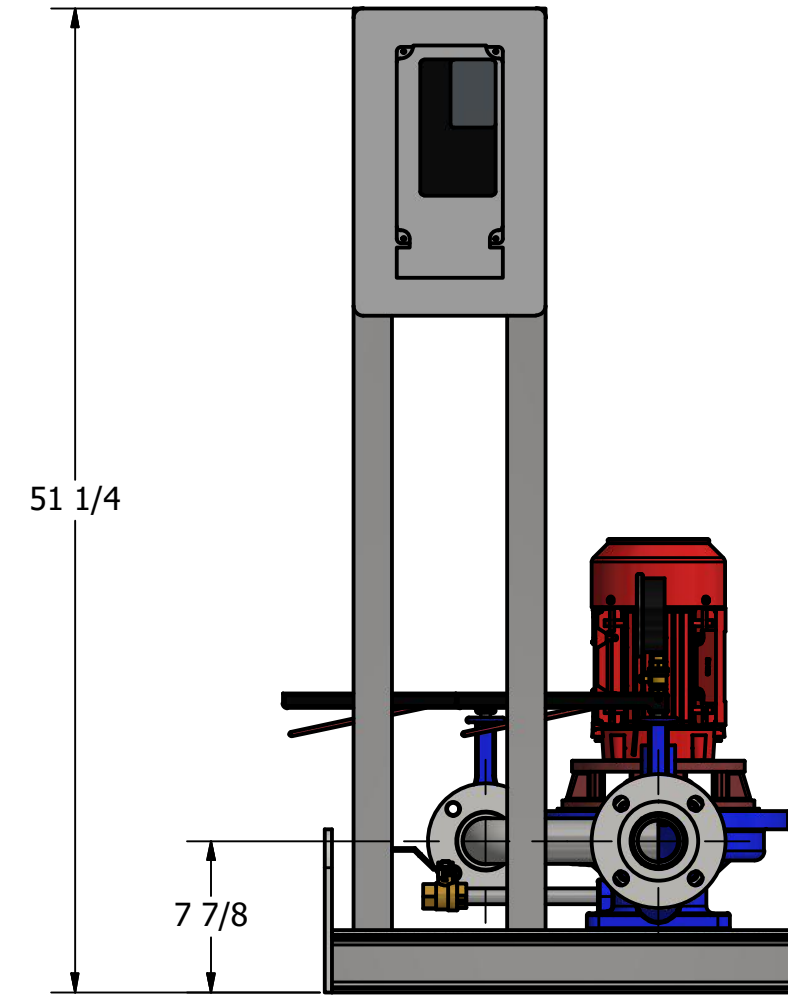
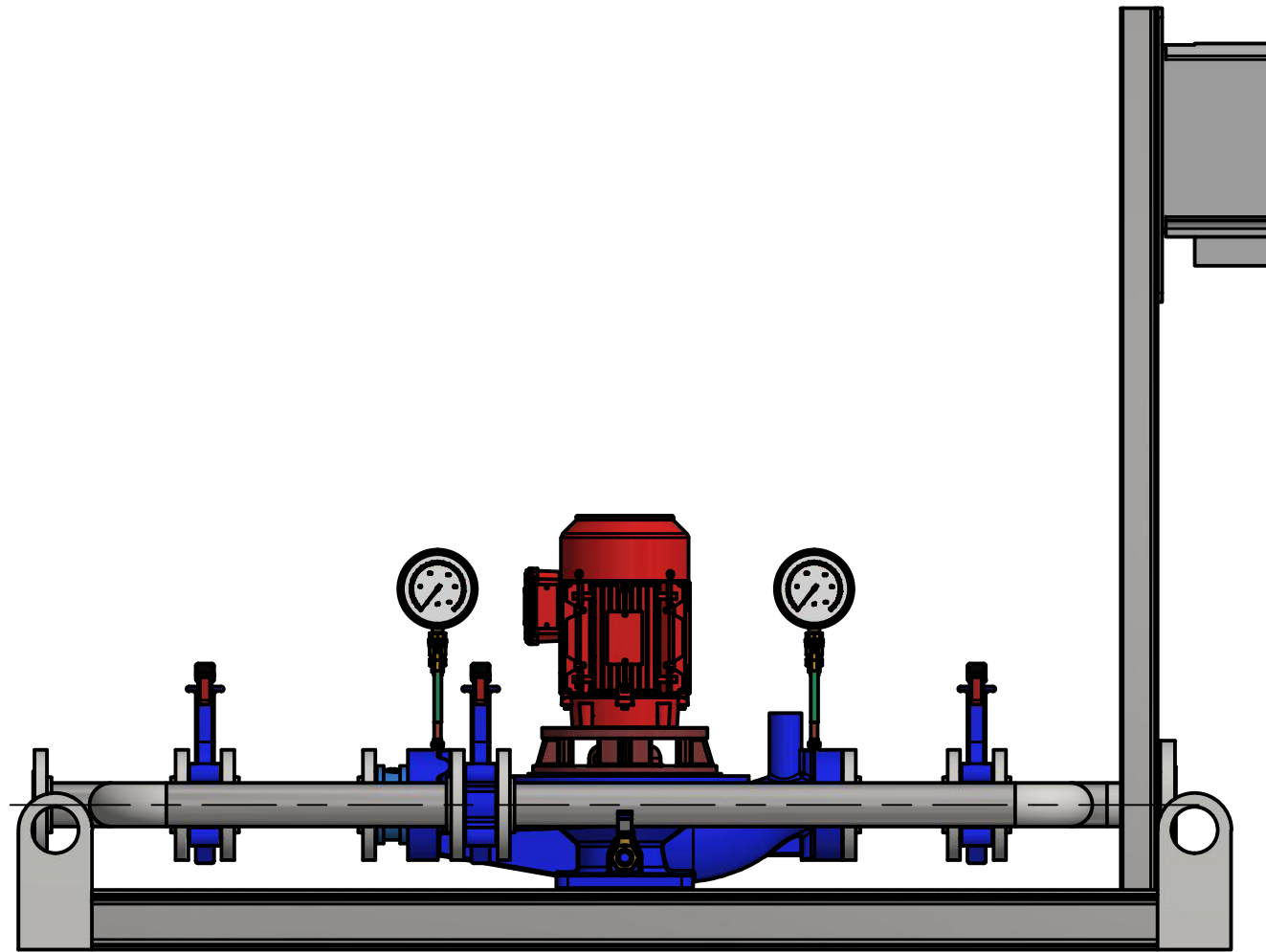
DRAWING %	
FABRICATION	X
100%	
90%	
75%	
50%	
PRELIMINARY	

**NOTE:**  
 - ALL PIPING IN STAINLESS STEEL  
 304 SCHEDULE 10S


REVISION HISTORY		
REV	DESCRIPTION	DATE
1	PRELIMINARY DRAWINGS	5/25/2016
2	FABRICATION DRAWINGS (G.B.)	06/06/2016

**THIS DRAWING MUST BE SENT WITH PURCHASE ORDER**

DESIGNER T. LALONDE	DATE 06/06/2016	TITLE / TITRE SIMPLEX BOOSTER PUMP WITH BYPASS
PROJECT / PROJET MISE AUX NORMES/VINCENT MASSEY		CUSTOMER / CLIENT BEAUDOIN HURENS
QUOTE 108 391	TAG P-1 (SUPRESSEUR SIMPLEX)	
DWG NO. 108391_P-1 (SUPRESS SIMPLEX BOOSTER PUMP)		REV 2
SCALE / ECHELLE 1/6		JOB NO. <b>53260-1</b>
MONTREAL, (QC), CANADA TORONTO, (ON), CANADA LAKE WORTH, (FL), USA WWW.FLOFAB.COM		SHEET 1 OF 10



**NOTE:**  
 - ALL PIPING IN STAINLESS STEEL  
 304 SCHEDULE 10S

<b>THIS DRAWING MUST BE SENT WITH PURCHASE ORDER</b>			
DESIGNER T. LALONDE	DATE 06/06/2016	TITLE / TITRE SIMPLEX BOOSTER WITH BYPASS	
		PROJECT / PROJET MISE AUX NORMES/VINCENT MASSEY	
		CUSTOMER / CLIENT BEAUDOIN HURENS	
MONTREAL, (QC), CANADA TORONTO, (ON), CANADA LAKE WORTH, (FL), USA WWW.FLOFAB.COM		QUOTE 108 391	TAG P-1 (SUPRESSEUR SIMPLEX)
		DWG NO. 108 391_P-1 (SUPRESS SIMPLEX)	REV 2
		SCALE / ECHELLE 1 / 10	JOB NO. <b>53260-1</b> SHEET 2 OF 10