

PARTS LIST		
ITEM	ITEM QTY	DESCRIPTION
1	1	SKID
2	3	PSM32-40 PUMP
3	3	MOTOR 20HP 3450 RPM 575V
4	3	VFD 22 AMPS 20HP YASKAWA
5	1	SINGLE-POINT POWER SUPPLY PANEL DIMENSIONS TBA
6	6	BUTTERFLY VALVE 2-1/2"
7	3	WAFER CHECK VALVE 2.5"
8	7	PRESSURE GAUGE - 0-100 PSI
9	7	BALL VALVE 1/4"
10	3	VFD PLATE
11	1	MOTOR BASE
12.1	1	PRESSURE TRANSMITTER

TABLE	
DRAWING %	
FABRICATION	
100%	
90%	
75%	
50%	
PRÉLIMINAIRE	X

NOTE:
TUYAUTERIE EN ACIER INOXYDABLE GRADE 304

REVISION HISTORY		
REV	DESCRIPTION	DATE
1	DESSINS PRÉLIMINAIRES	06-07-2016

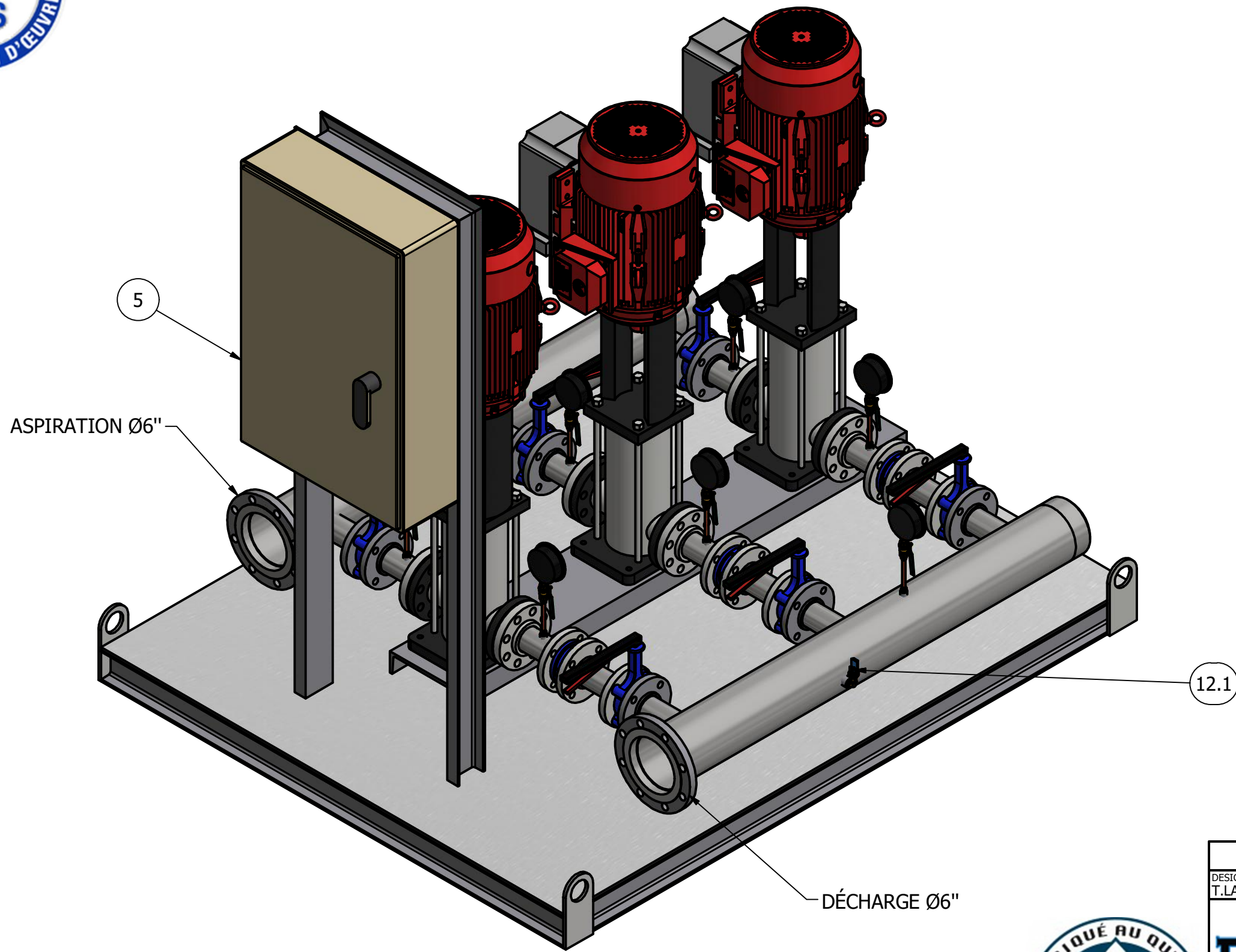
THIS DRAWING MUST BE SENT WITH PURCHASE ORDER

DESIGNER T.LALONDE	DATE 6/7/2016	TITLE / TITRE TRIPLEX BOOSTER
PROJECT / PROJET CONDOMINIUMS, ILE PATON, LAVAL		CUSTOMER / CLIENT FP MECANIQUE INC.
QUOTE 109337	TAG PS-01-01	
DWG NO. 109337_PS-01-01	SCALE / ECHELLE 1/12	REV 1
MONTREAL, (QC), CANADA TORONTO, (ON), CANADA LAKE WORTH, (FL), USA WWW.FLOFAB.COM		JOB NO. SHEET 1 OF 3






PARTS LIST		
ITEM	ITEM QTY	DESCRIPTION
1	1	SKID
2	3	PSM32-40 PUMP
3	3	MOTOR 20HP 3450 RPM 575V
4	3	VFD 22 AMPS 20HP YASKAWA
5	1	SINGLE-POINT POWER SUPPLY PANEL DIMENSIONS TBA
6	6	BUTTERFLY VALVE 2-1/2"
7	3	WAFER CHECK VALVE 2.5"
8	7	PRESSURE GAUGE - 0-100 PSI
9	7	BALL VALVE 1/4"
10	3	VFD PLATE
11	1	MOTOR BASE
12.1	1	PRESSURE TRANSMITTER
12.10	1	ASME B16.11 HALF COUPLING THREADED - CLASS 3000 - 1/4"

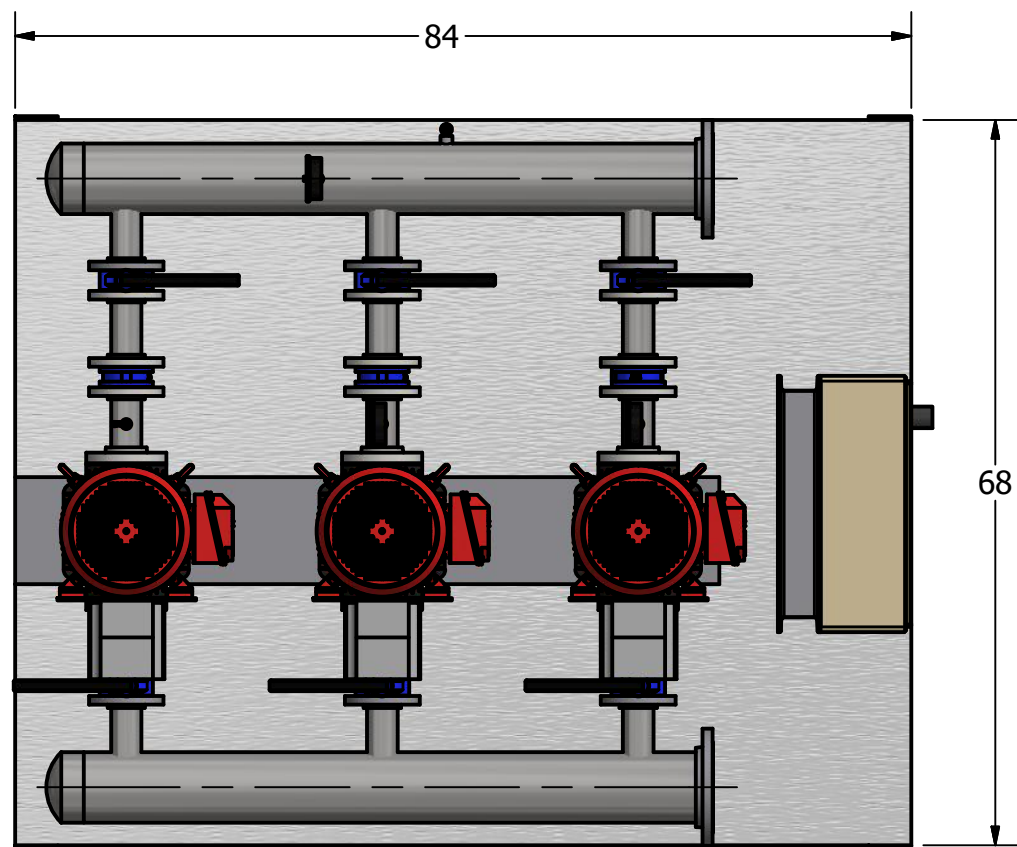
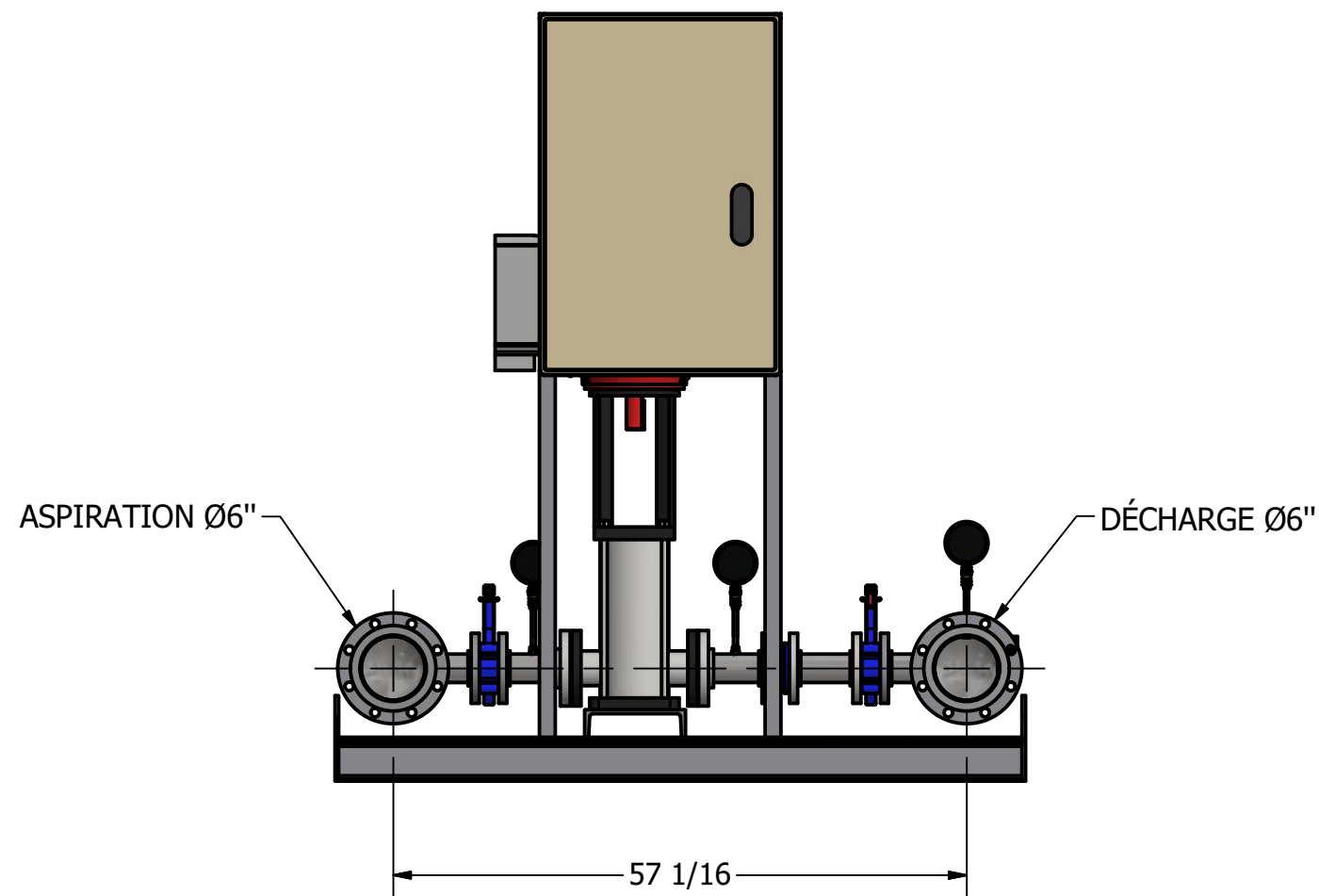
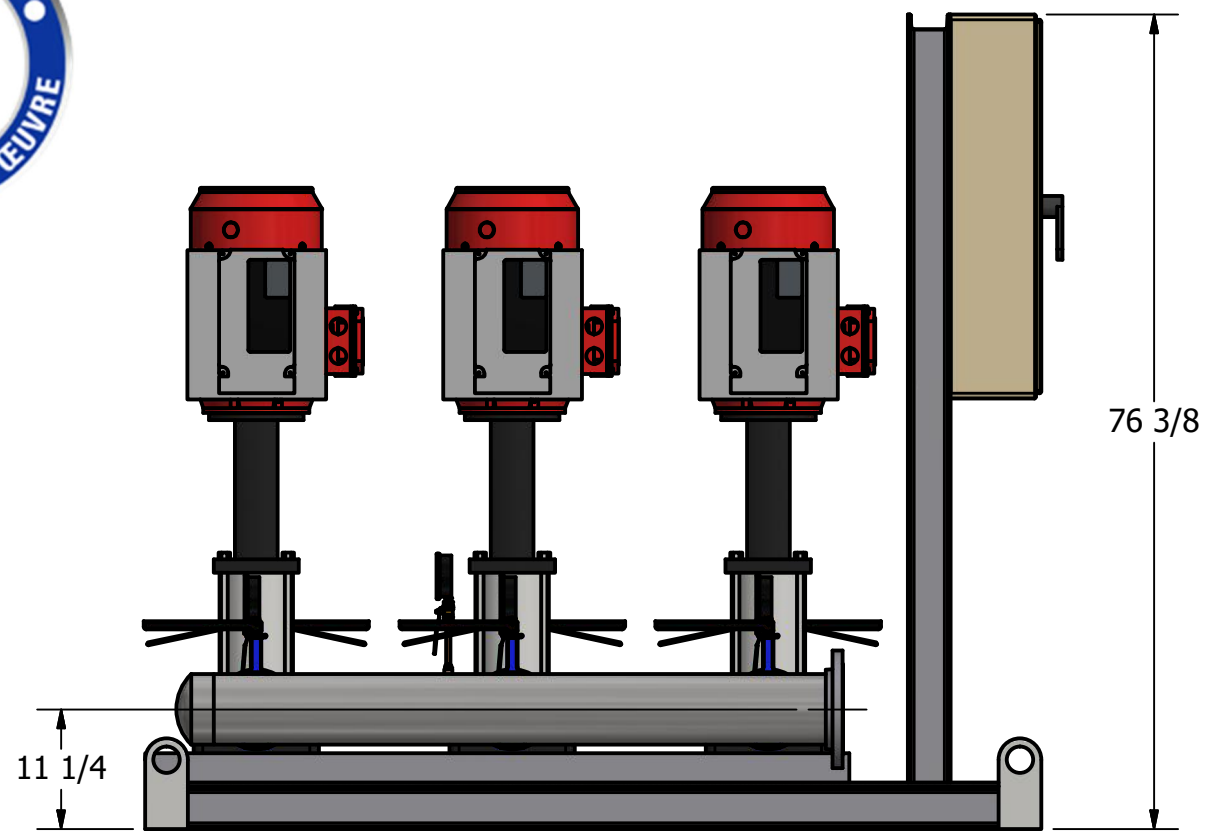


12.1

DÉCHARGE Ø6"




THIS DRAWING MUST BE SENT WITH PURCHASE ORDER			
DESIGNER T.LALONDE	DATE 6/7/2016	TITLE / TITRE TRIPLEX BOOSTER	
		PROJECT / PROJET CONDOMINIUMS, ILE PATON, LAVAL	
MONTREAL, (QC), CANADA TORONTO, (ON), CANADA LAKE WORTH, (FL), USA WWW.FLOFAB.COM		CUSTOMER / CLIENT FP MECANIQUE INC.	
QUOTE 109337	TAG PS-01-01	REV 1	
DWG NO. 109377_PS-01-01		SCALE / ECHELLE 1/12	
JOB NO.		SHEET 2 OF 3	



NOTE:
TUYAUTERIE EN ACIER INOXYDABLE GRADE 304



THIS DRAWING MUST BE SENT WITH PURCHASE ORDER			
DESIGNER T.LALONDE	DATE 6/7/2016	TITLE / TITRE TRIPLEX BOOSTER	
		PROJECT / PROJET CONDOMINIUMS, ILE PATON, LAVAL	
		CUSTOMER / CLIENT FP MECANIQUE INC.	
QUOTE 109337	TAG PS-01-01	REV 1	
DWG NO. 109337_PS-01-01		SCALE / ECHELLE 1 / 18	
MONTREAL, (QC), CANADA TORONTO, (ON), CANADA LAKE WORTH, (FL), USA WWW.FLOFAB.COM		JOB NO. SHEET 3 OF 3	