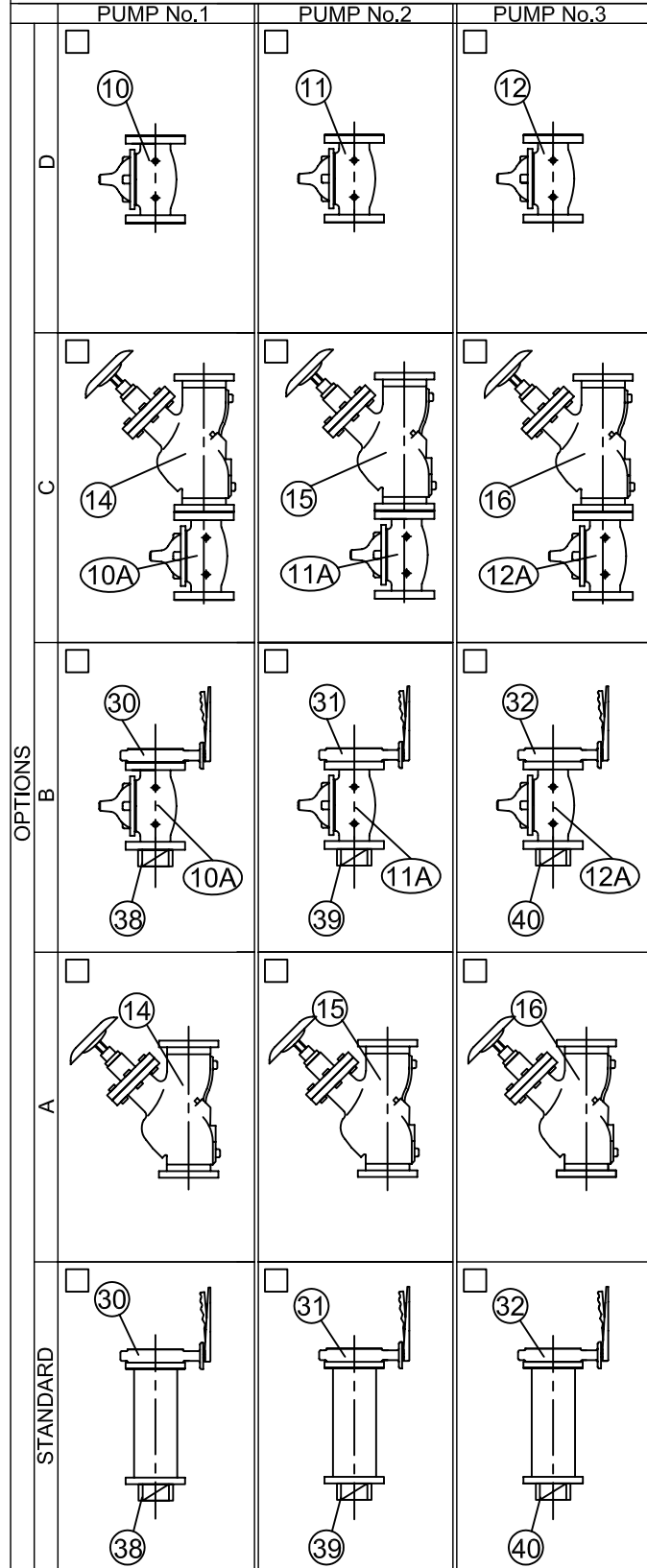


DISCHARGE OPTIONS

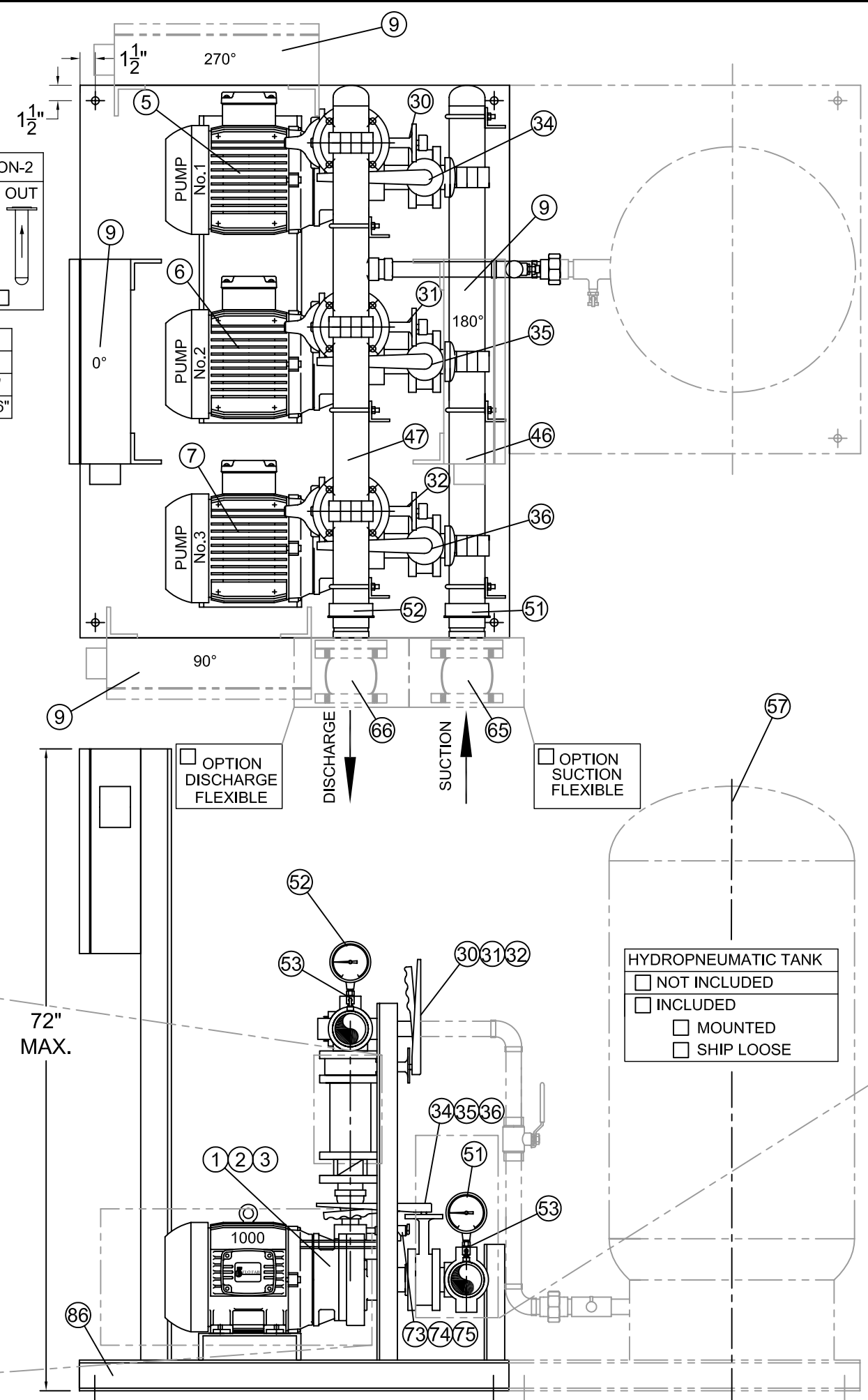
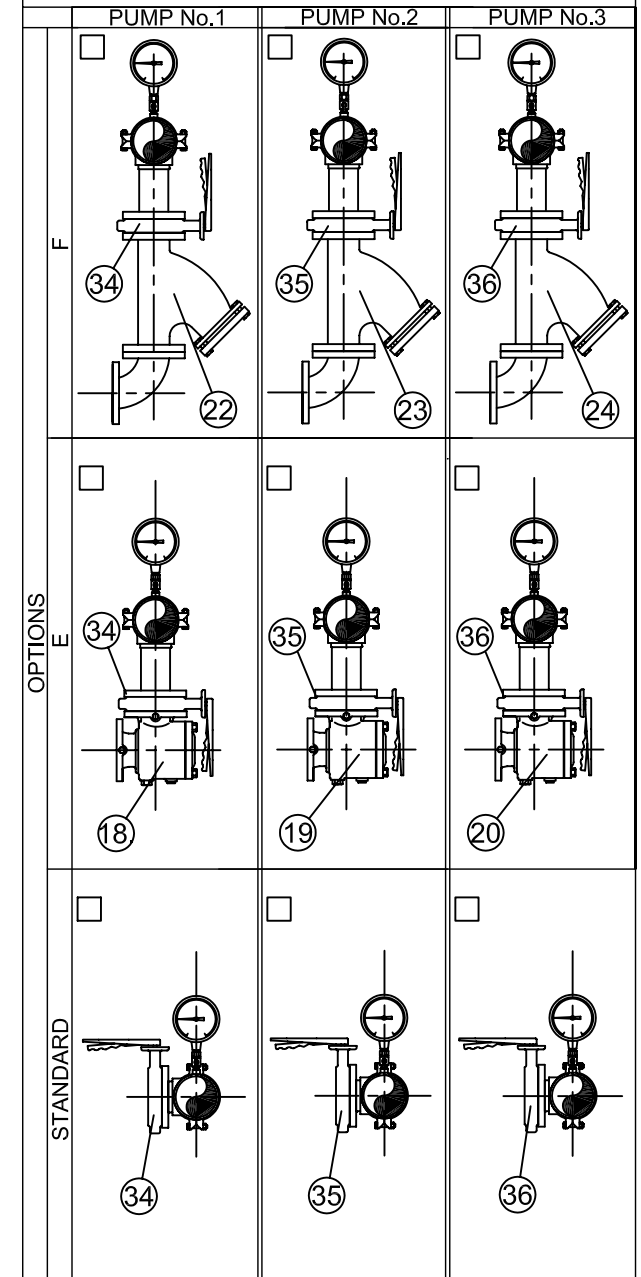


STANDARD AS SHOWN	OPTION-1	OPTION-2
IN OUT	IN OUT	IN OUT
<input type="checkbox"/>	<input type="checkbox"/>	<input type="checkbox"/>

HEADER SIZE	
<input type="checkbox"/>	0-300 USGPM Ø3"
<input type="checkbox"/>	301-500 USGPM Ø4"
<input type="checkbox"/>	501-1100 USGPM Ø6"

CONTROL PANEL	
ITEM 9	POSITION
<input type="checkbox"/>	0°
<input type="checkbox"/>	90°
<input type="checkbox"/>	180°
<input type="checkbox"/>	270°
<input type="checkbox"/>	WALL MOUNTED

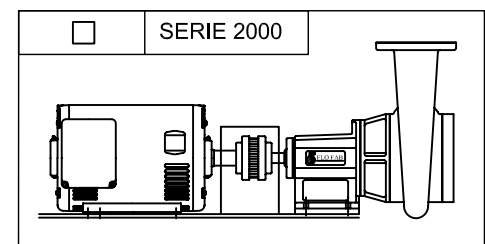
SUCTION OPTIONS



HYDROPNEUMATIC TANK	
<input type="checkbox"/>	NOT INCLUDED
<input type="checkbox"/>	INCLUDED
<input type="checkbox"/>	MOUNTED
<input type="checkbox"/>	SHIP LOOSE

- OPTION DISCHARGE FLEXIBLE
- OPTION SUCTION FLEXIBLE


- T-CPS-_____
- T-CPS-HT-_____



TITLE / TITRE FLO FAB TRIPLEX CONSTANT PRESSURE SYSTEMS SERIES "CPS"		ENGINEER / INGENIEUR
FLO FAB AQUA PROFAB		CUSTOMER / CLIENT
860 BOULEVARD INDUSTRIEL BOIS-DES-FILONS, QC J6Z 4V7, (450) 621-2995		PART LIST N° / LISTE DE MATERIEL N°
DRAWN BY / DESSINATEUR M. LYMBURNER		DATE / DATE APRIL 2007
SCALE / ECHELLE N / A		REV 0


NO	QTY	DESCRIPTION	SIZE	PART NUMBER
1	1	PUMP 1		
2	1	PUMP 2		
3	1	PUMP 3		
5	1	M1 MOTOR		
6	1	M2 MOTOR		
7	1	M3 MOTOR		
9	1	PANEL CONTROL		
10		NO. 1 PRESSURE REDUCING VALVE (W/ C V)		
10A		NO. 1 PRESSURE REDUCING VALVE (W/O C V)		
11		NO. 2 PRESSURE REDUCING VALVE (W/ C V)		
11A		NO. 2 PRESSURE REDUCING VALVE (W/O C V)		
12		NO. 3 PRESSURE REDUCING VALVE (W/ C V)		
12A		NO. 3 PRESSURE REDUCING VALVE (W/O C V)		
14		NO. 1 TRIPLE DUTY VALVE		
15		NO. 2 TRIPLE DUTY VALVE		
16		NO.3 TRIPLE DUTY VALVE		
18		NO. 1 SUCTION DIFFUSER (WITH STRAINER)		
19		NO. 2 SUCTION DIFFUSER (WITH STRAINER)		
20		NO. 3 SUCTION DIFFUSER (WITH STRAINER)		
22		NO. 1 Y-STRAINER		
23		NO. 2 Y-STRAINER		
24		NO. 3 Y-STRAINER		
30		NO. 1 DISCHARGE BUTTERFLY VALVE		
31		NO. 2 DISCHARGE BUTTERFLY VALVE		
32		NO. 3 DISCHARGE BUTTERFLY VALVE		

TITLE / TITRE
FLO FAB - TRIPLEX "CPS" SERIES 1000/2000
MATERIAL LIST

 FLO FAB AQUA PROFAB	PROJECT / PROJET	
	CUSTOMER / CLIENT	
860 BOULEVARD INDUSTRIEL BOIS-DES-FILION, QC J6Z 4V7, (450) 621-2995	DRAWING N° / N° DESSIN	DATE / DATE
	MAY 2007	

REV	DESCRIPTION	DATE	INIT.	DRAWN BY / DESSINATEUR M. LYMBURNER	SCALE / ECHELLE N / A	PART LIST N° / LISTE DE MATERIEL N°	REV 0
-----	-------------	------	-------	--	--------------------------	-------------------------------------	----------

NO	QTY	DESCRIPTION	SIZE	PART NUMBER
34		NO. 1 SUCTION DISCHARGE BUTTERFLY VALVE		
35		NO. 2 SUCTION DISCHARGE BUTTERFLY VALVE		
36		NO. 3 SUCTION DISCHARGE BUTTERFLY VALVE		
38		NO. 1 DISCHARGE CHECK VALVE		
39		NO. 2 DISCHARGE CHECK VALVE		
40		NO. 3 DISCHARGE CHECK VALVE		
46	1	SUCTION HEADER SIZE AND MATERIAL		
47	1	DISCHARGE HEADER SIZE AND MATERIAL		
51	1	SUCTION PRESSURE GAUGE		
52	1	DISCHARGE PRESSURE GAUGE		
53	2	PET COCKS		
57		DISCHARGE EXPANSION TANK (CPS SYSTEM)		
65		SUCTION FLEXIBLE		
66		DISCHARGE FLEXIBLE		
73	1	P1 AQUASTAT		
74	1	P2 AQUASTAT		
75	1	P3 AQUASTAT		
86	1	STEEL FABRICATED BASEPLATE		

TITLE / TITRE FLO FAB - TRIPLEX "CPS" SERIES 1000/2000 MATERIAL LIST			
 FLO FAB AQUA PROFAB	PROJECT / PROJET		
	CUSTOMER / CLIENT		
	860 BOULEVARD INDUSTRIEL BOIS-DES-FILION, QC J6Z 4V7, (450) 621-2995	DRAWING N° / N° DESSIN	DATE / DATE
DRAWN BY / DESSINATEUR M. LYMBURNER	SCALE / ÉCHELLE	PART LIST N° / LISTE DE MATERIEL N°	REV 0
	N / A		

REV	DESCRIPTION	DATE	INIT.